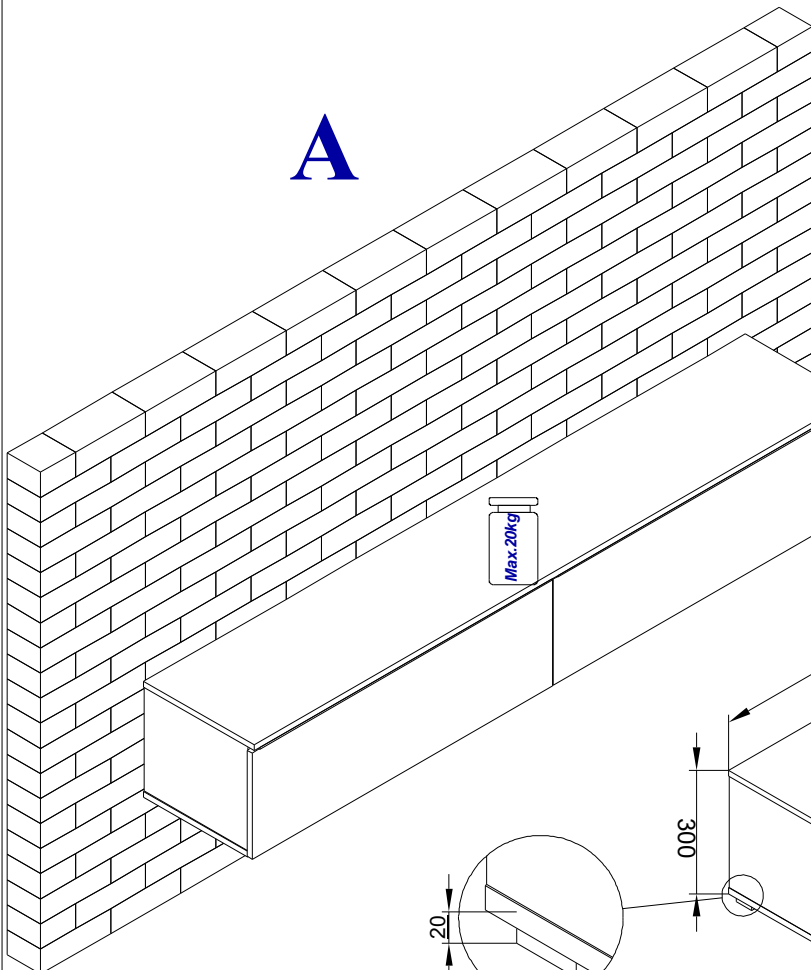
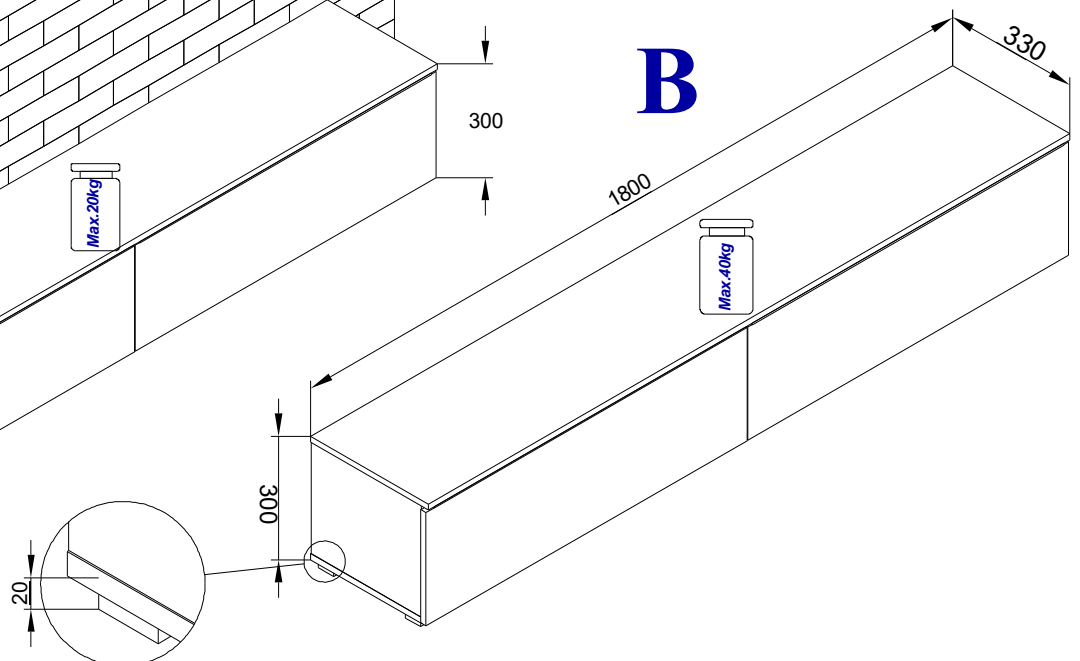


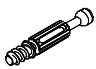
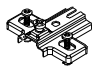
A



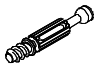
B





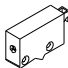




I

	
A	L
x6	x4

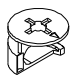

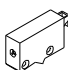


II


A
x6


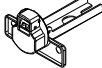




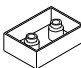

III


			3x13 			4x30 
B	D	G	H	S2	Q	H1
x8	x8	x2	x6	x4	x2	x4

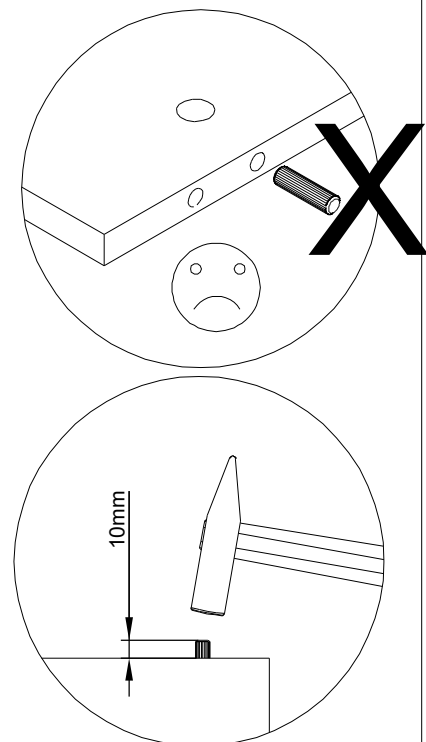
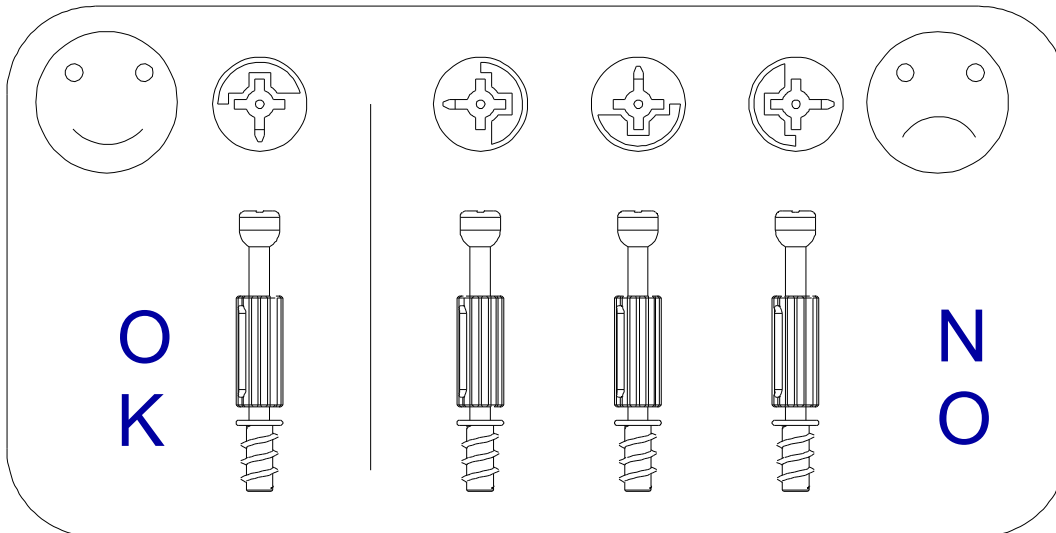
IV

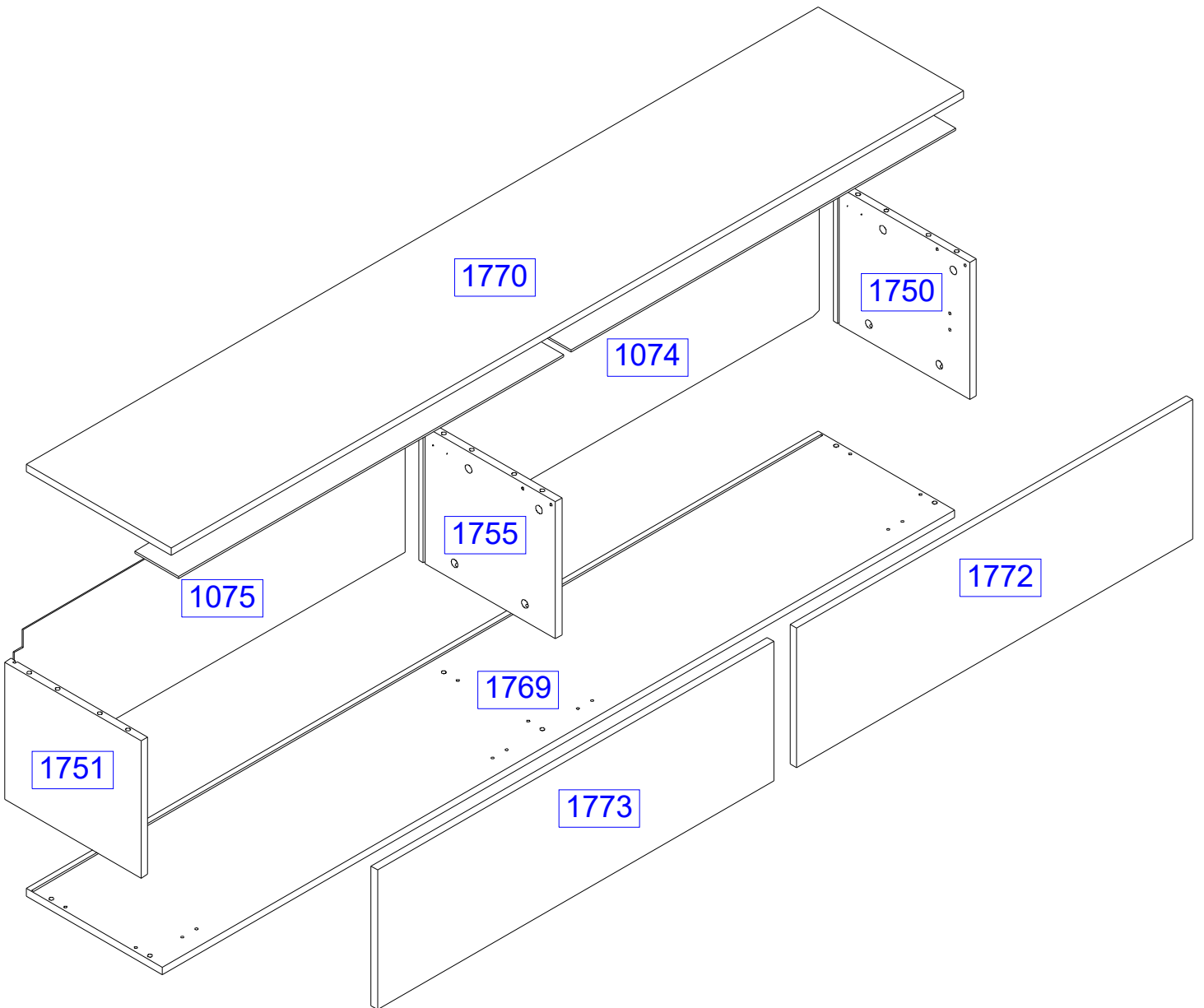
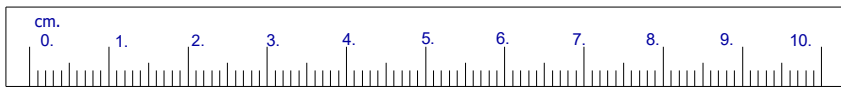
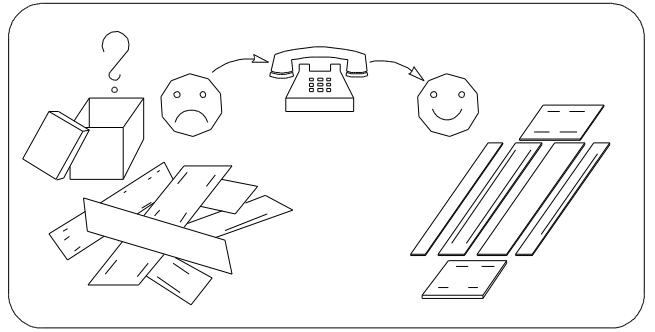
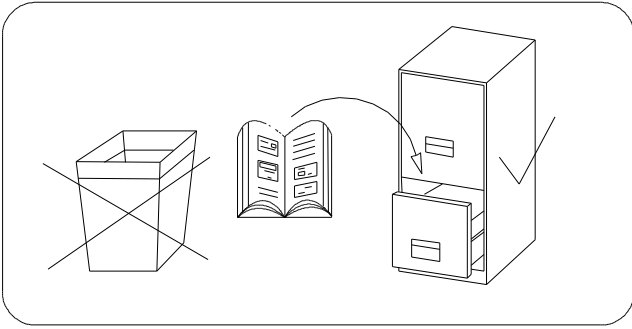
			4x30 	
B	D	G	H1	S2
x4	x4	x1	x2	x4

V-XIII

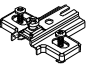

6,3x13 				3x13 			4x25 
F2	Z	X	I	H	S4	M	G1
x8	x4	x12	x12	x8	x2	x6	x12

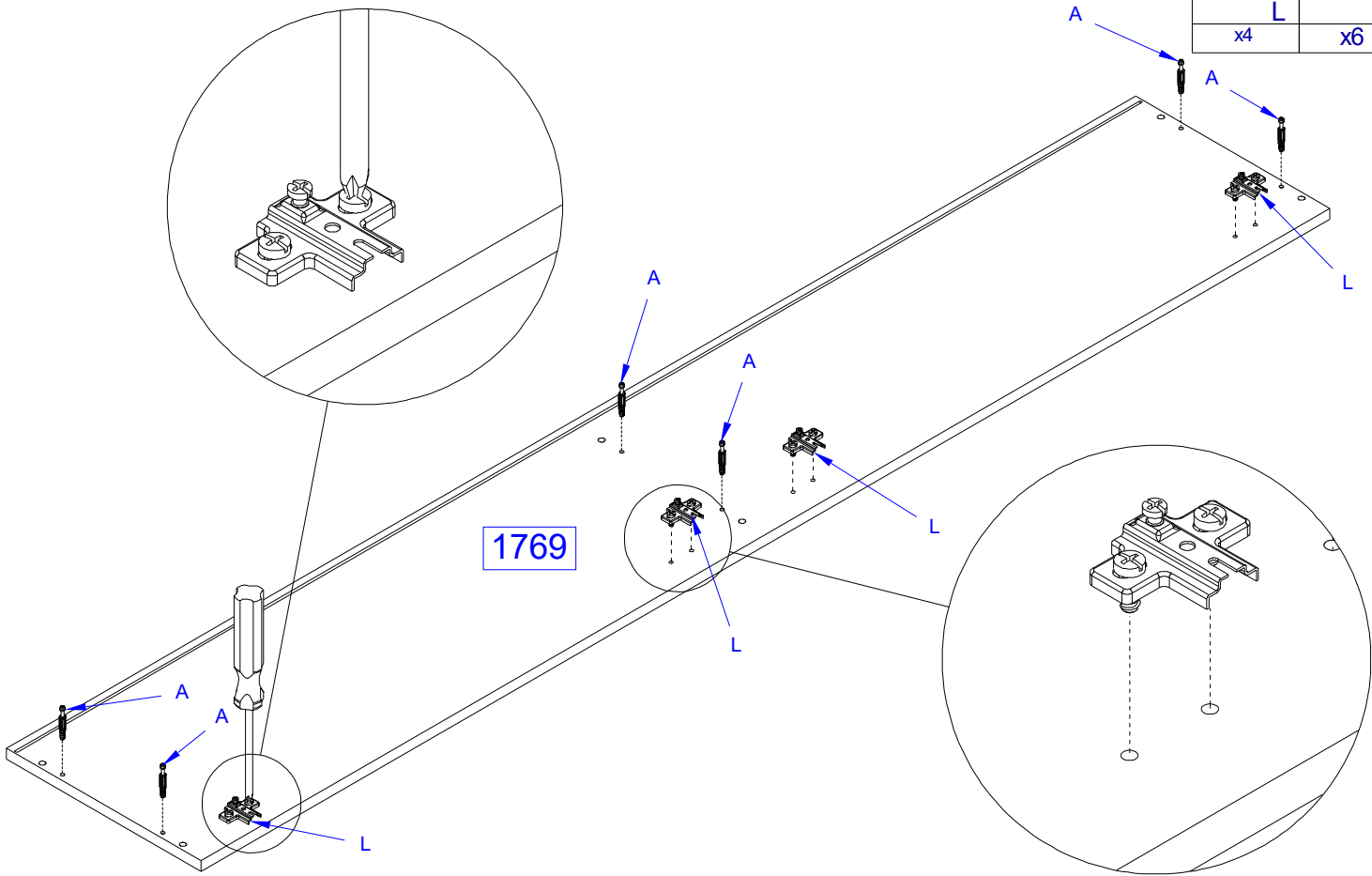
Ø10x50 
KR
x3






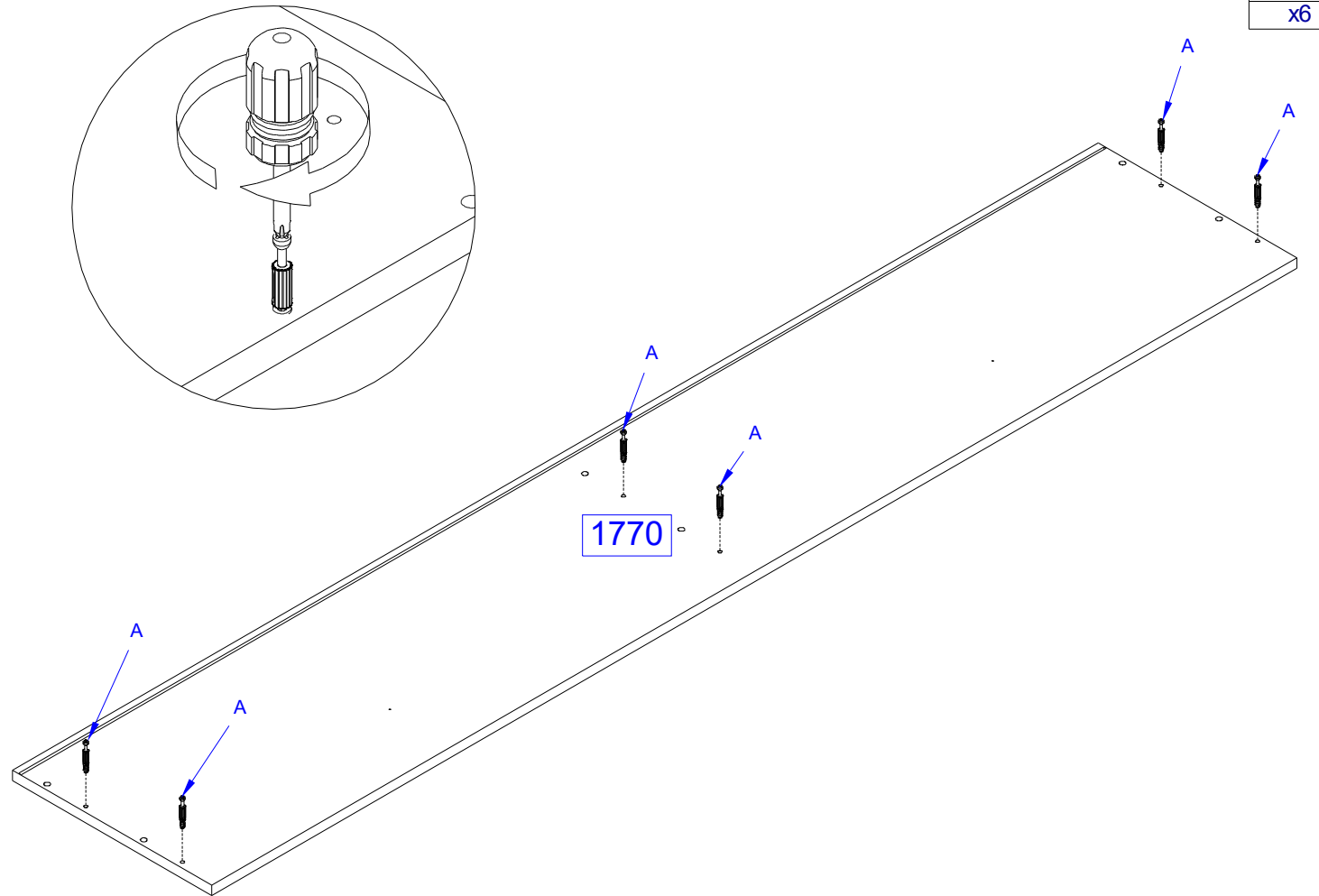
I

	
x4 L	x6 A



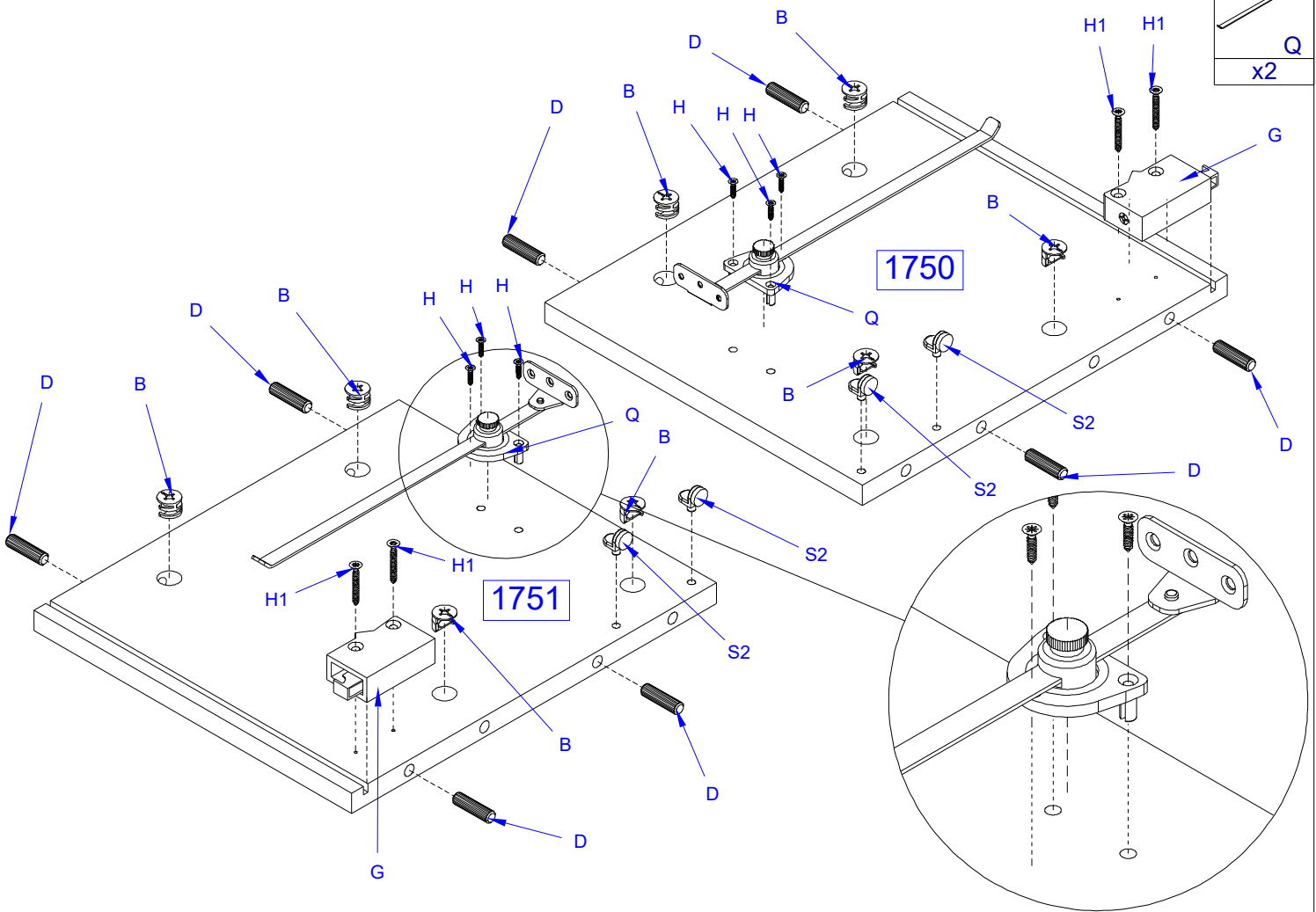
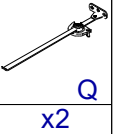
II


x6 A



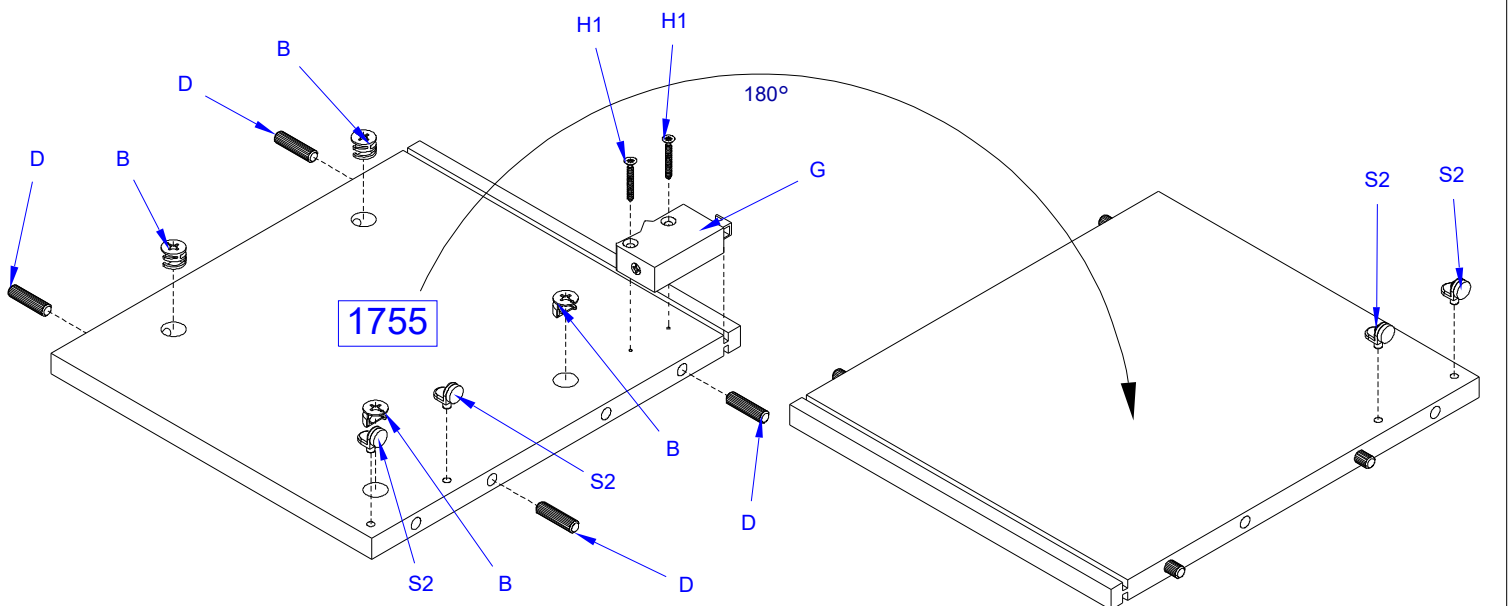


	3x13		4x30			
S2	H	G	H1	D	B	
x4	x6	x2	x4	x8	x8	



IV

		4x30			
S2	G	H1	D	B	
x4	x1	x2	x4	x4	



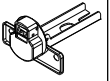
V

6,3x13



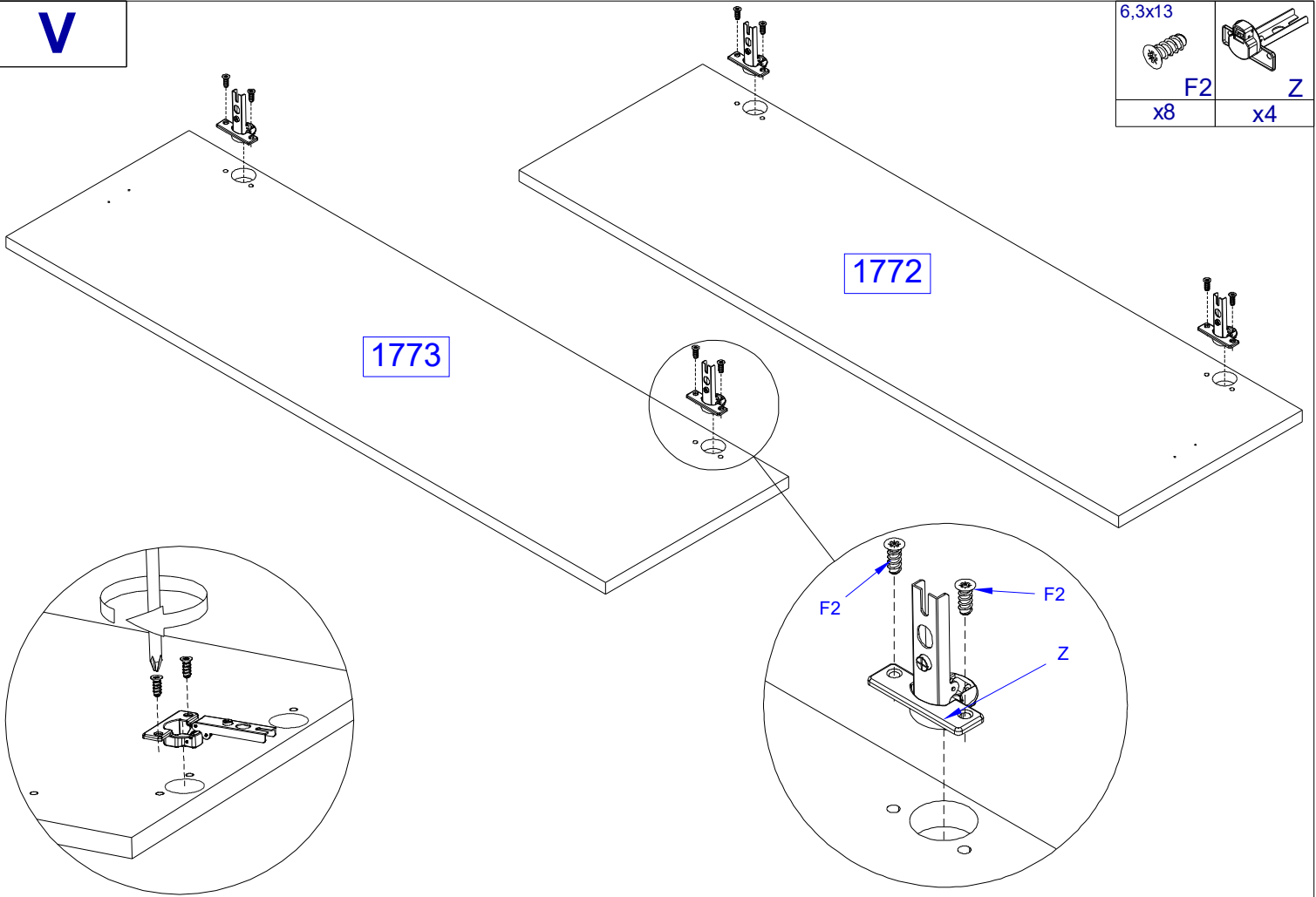
F2

x8

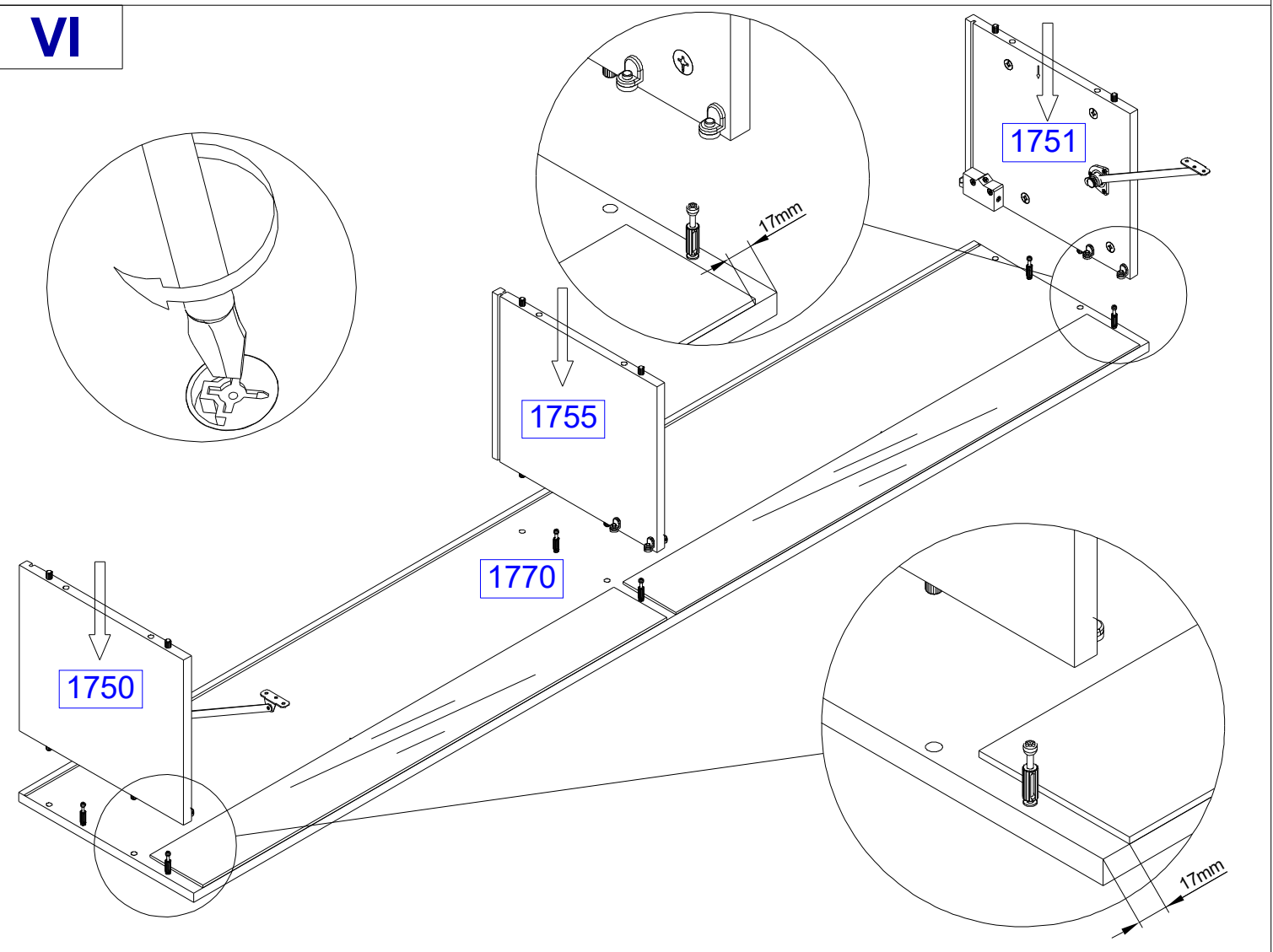


Z



x4

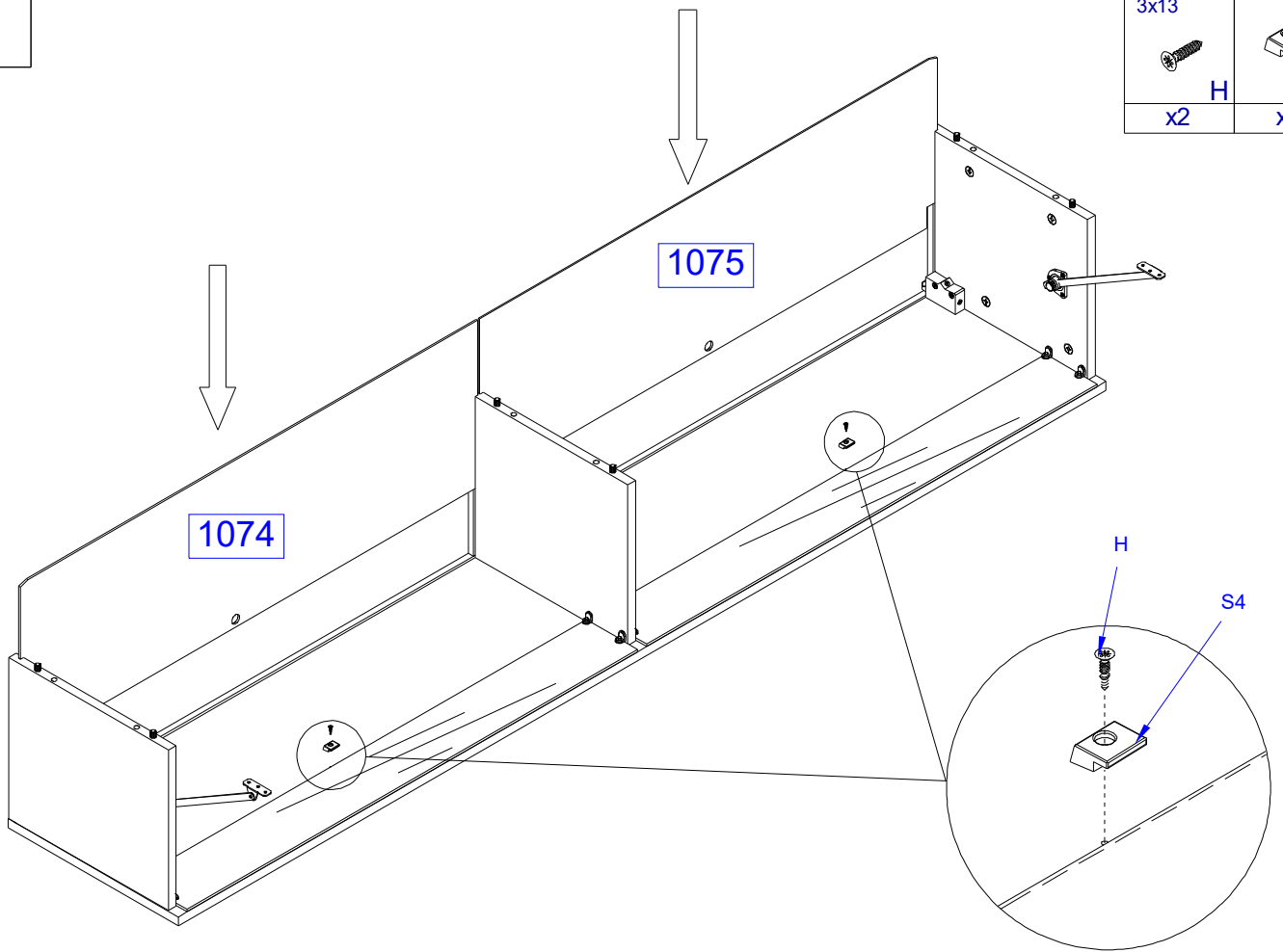


VI

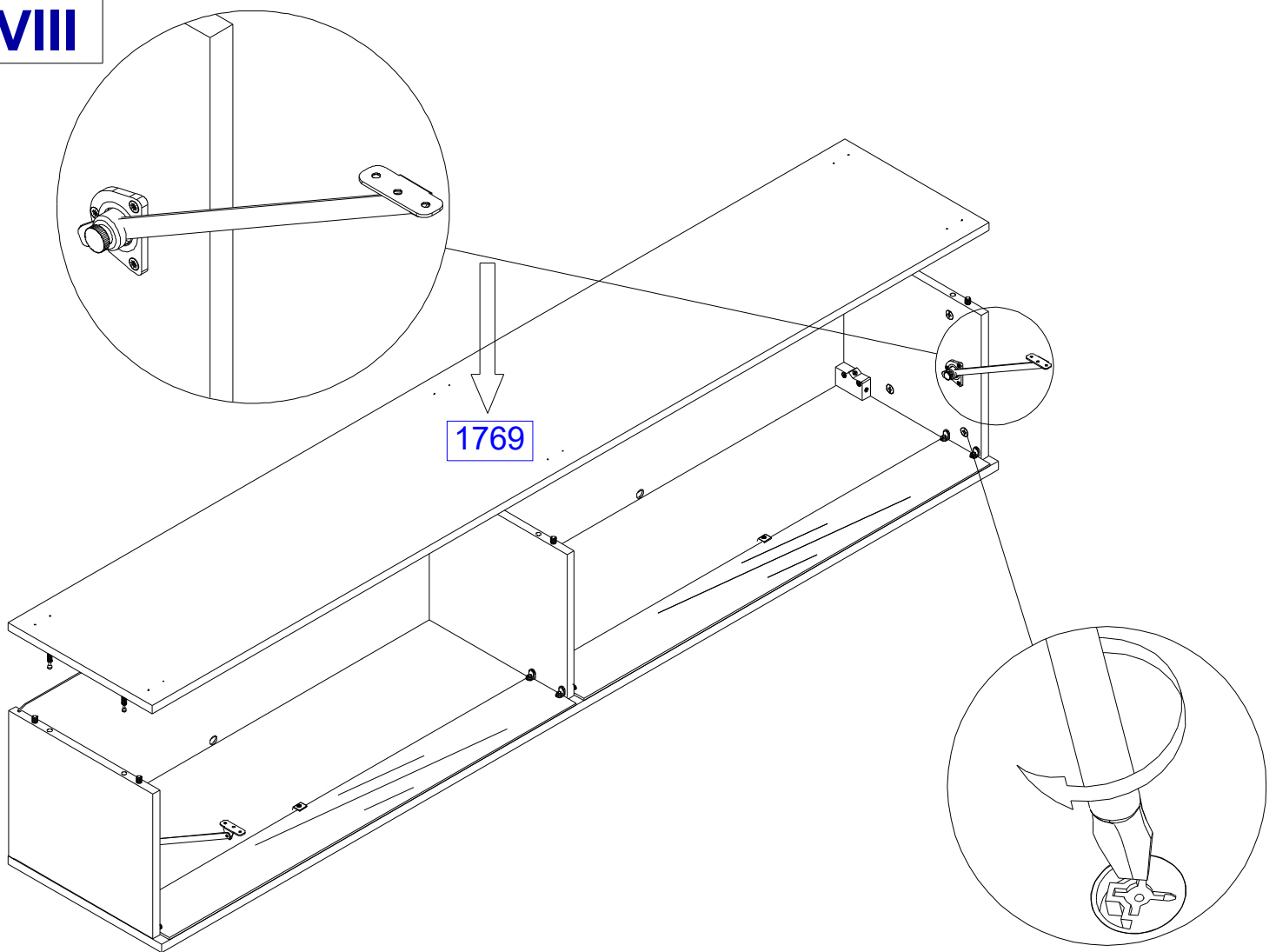


VII

3x13		
	H	S4
x2		x2



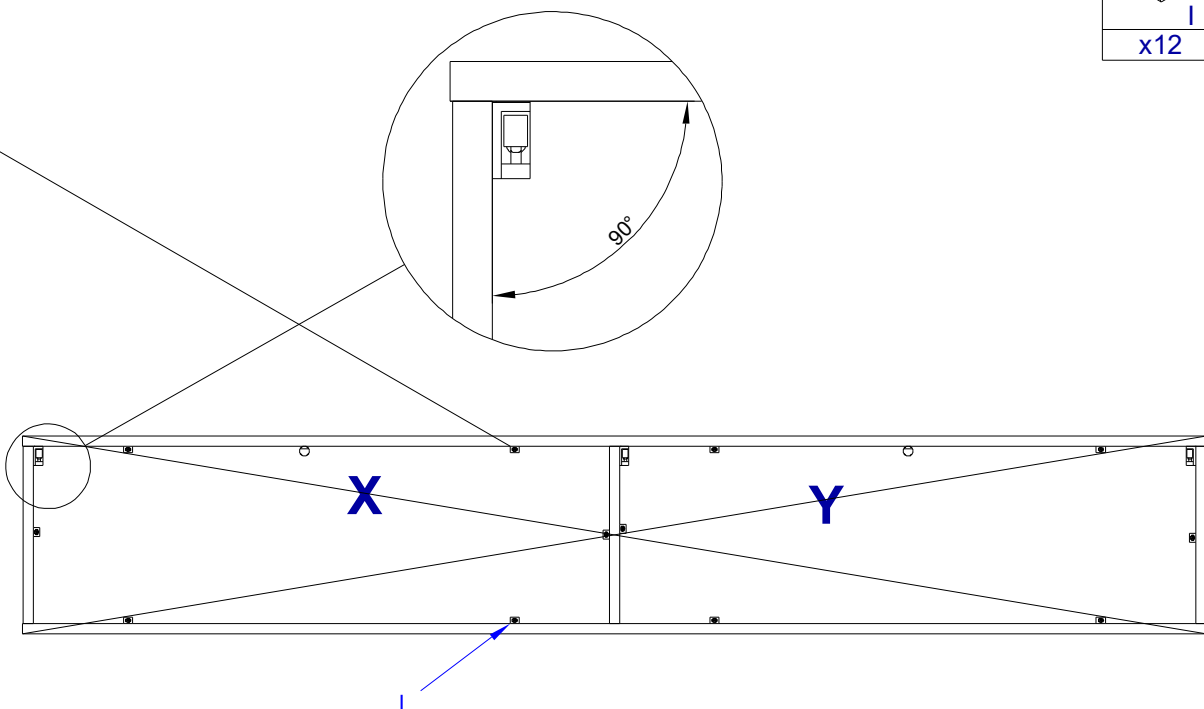
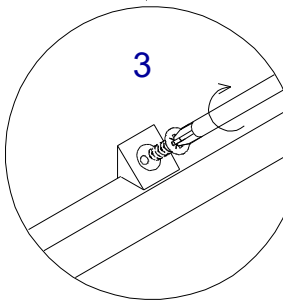
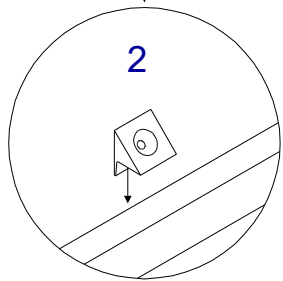
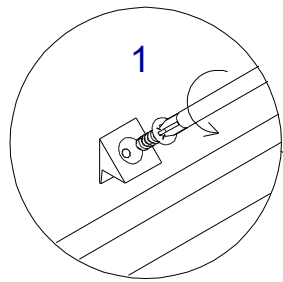
VIII



IX



I
x12



X

3x13



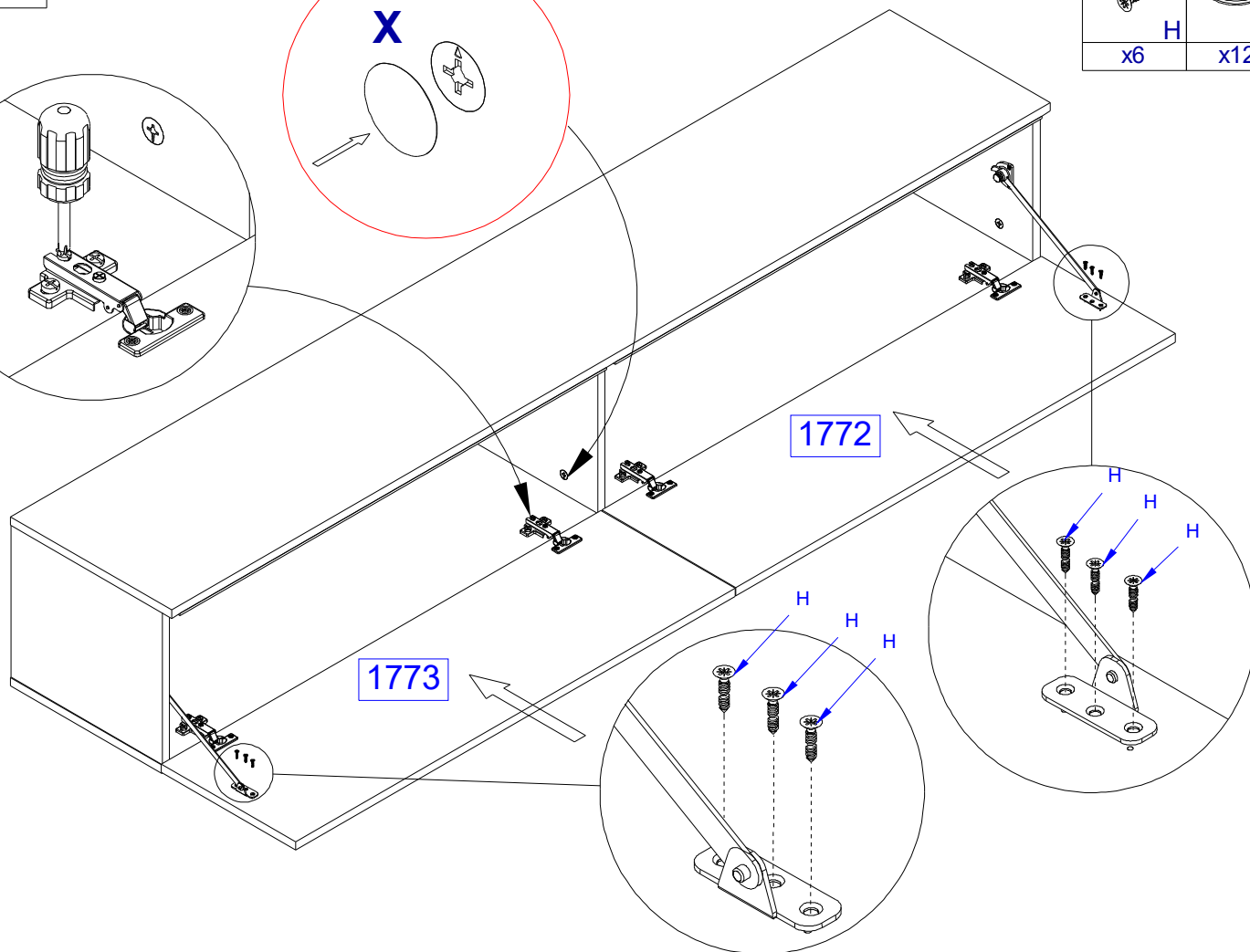
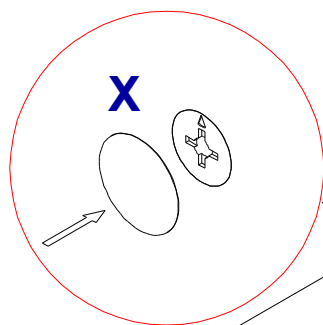
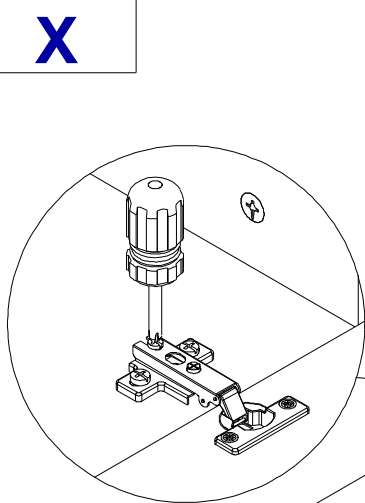
H

x6

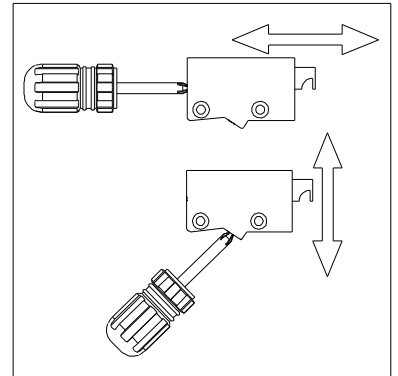
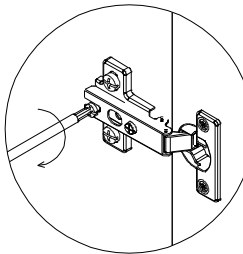
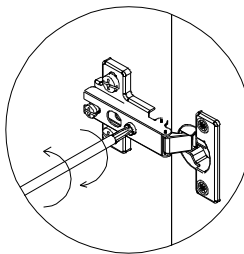
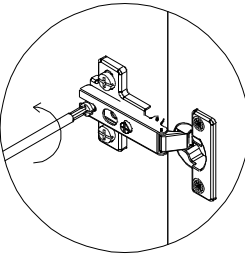
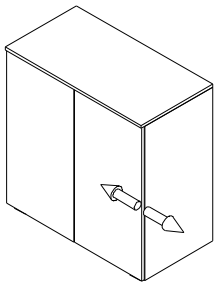
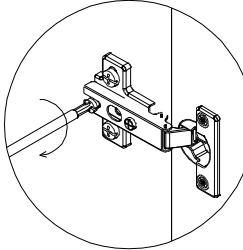
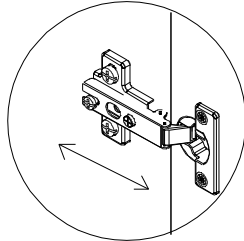
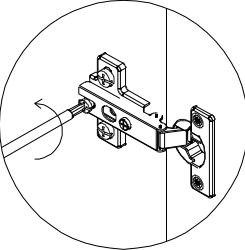
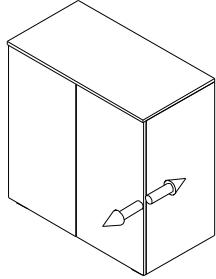
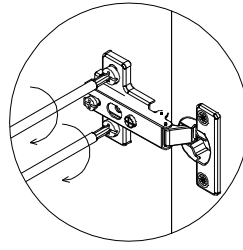
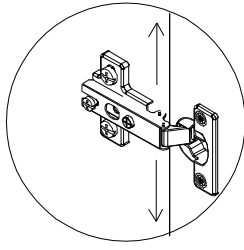
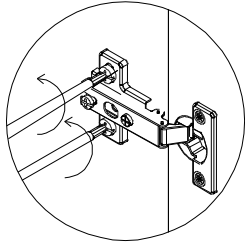
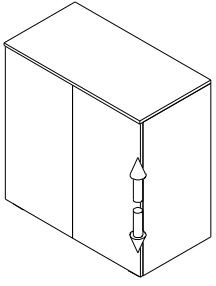


X

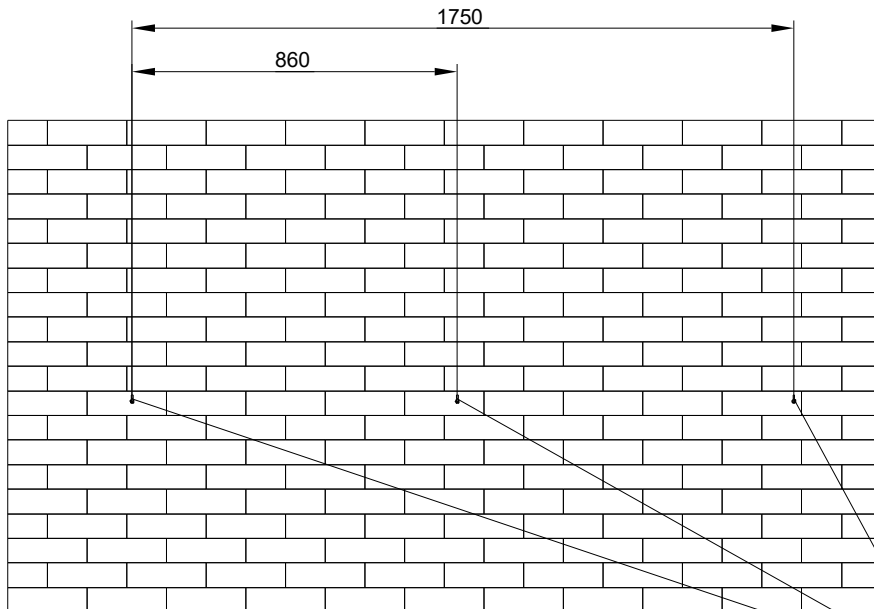
x12



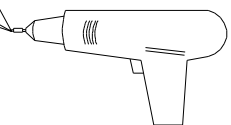
XI



XII



A





4x25

M

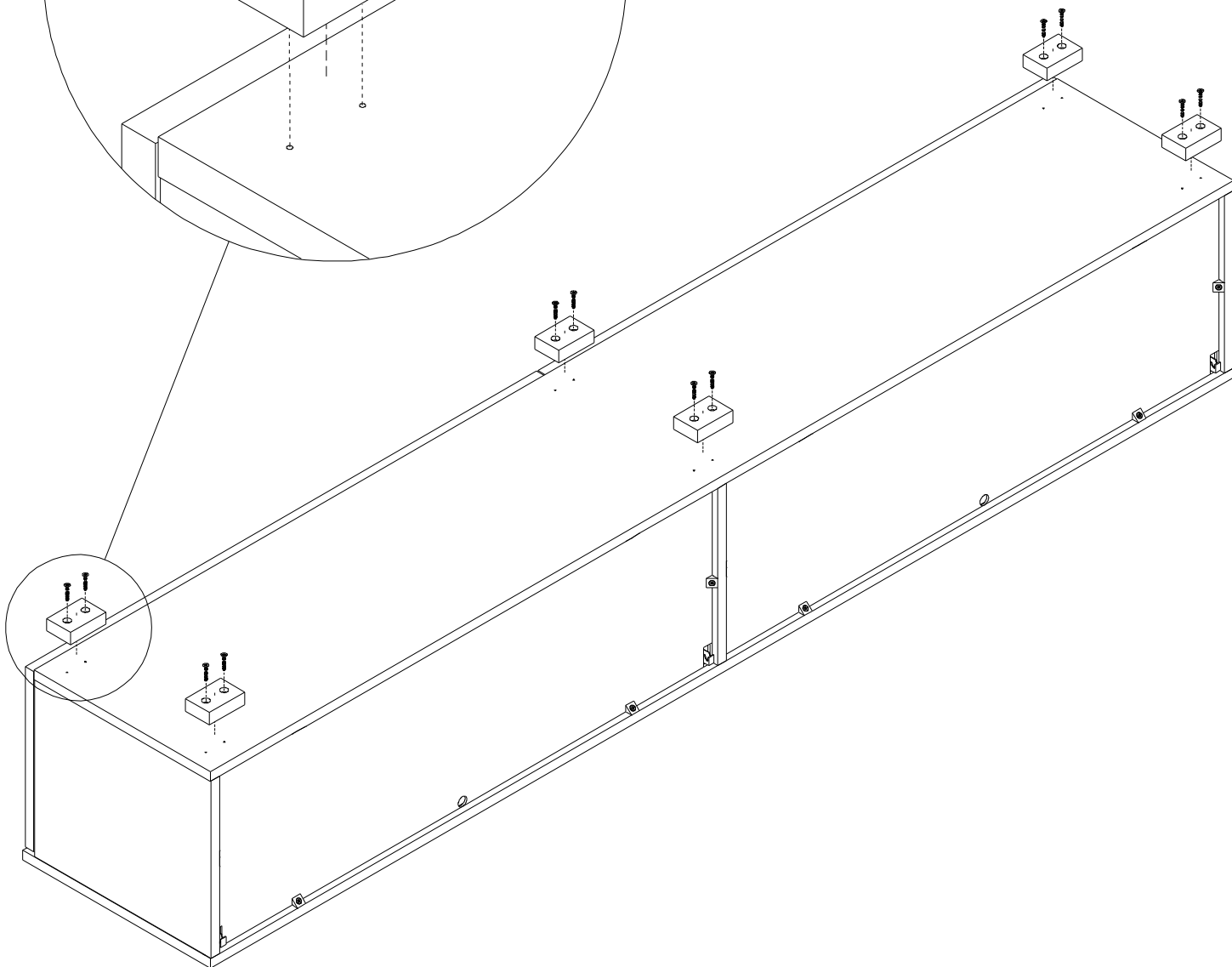
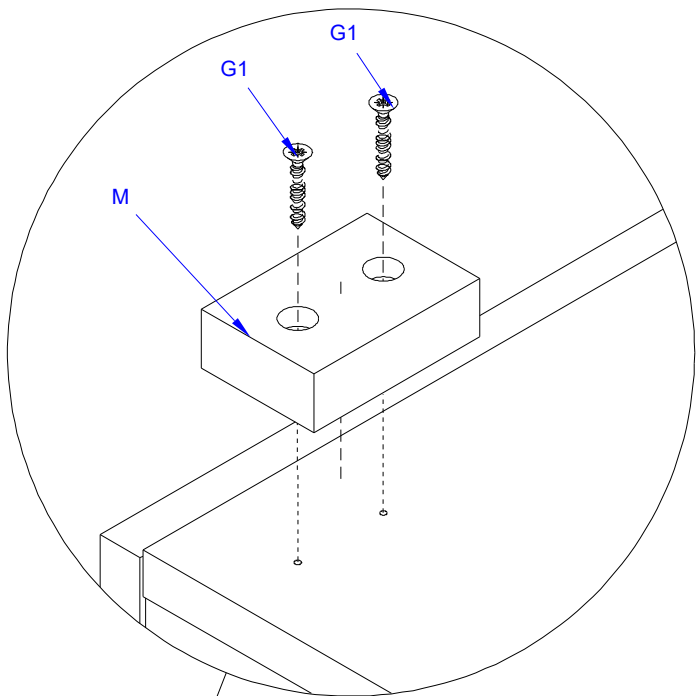
x6

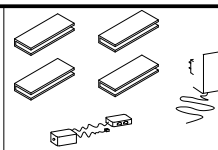
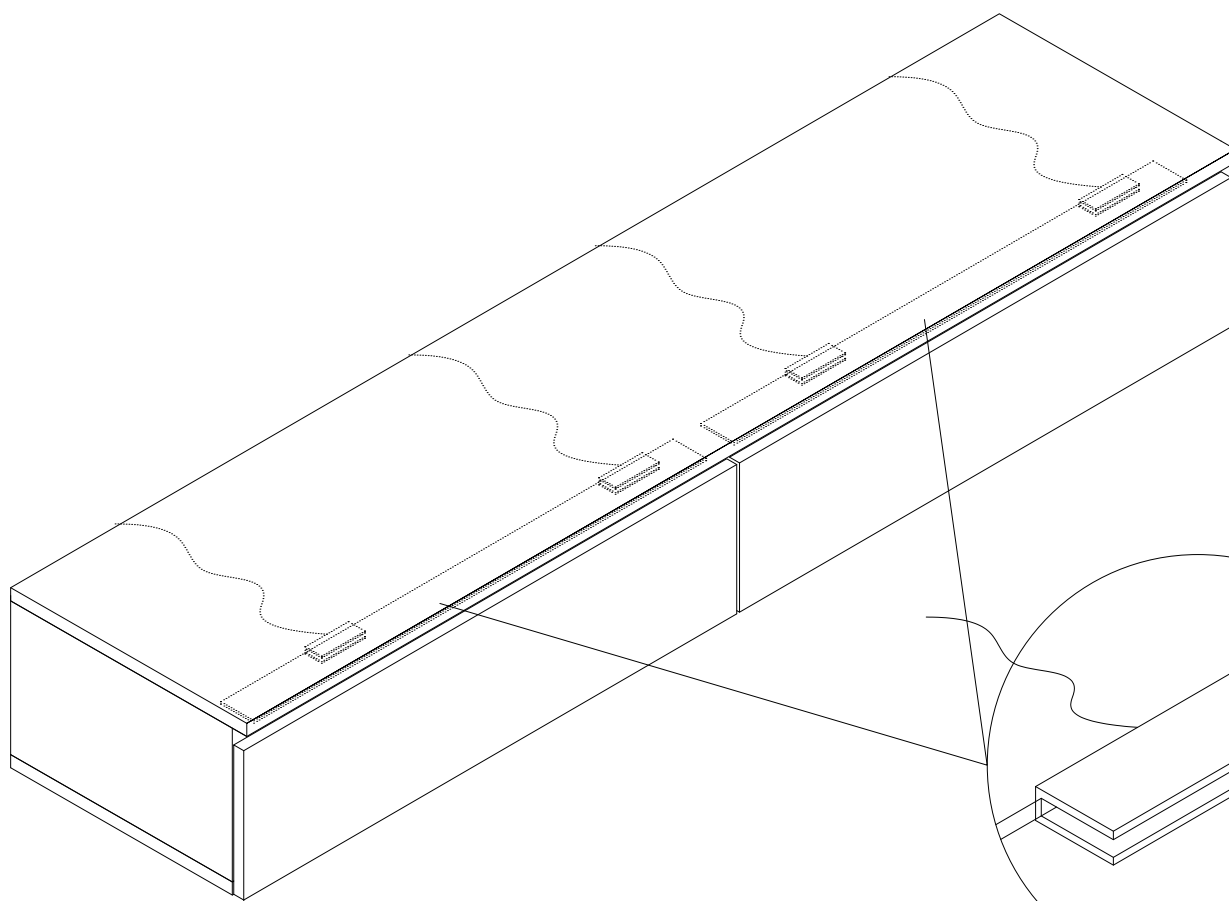


G1

x12

B





1 kpl.