


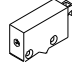


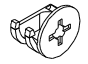



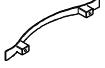




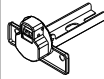


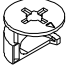
# I

6x11  F1	 J	 R	 G	4x30  H1	 D	 B	 S	 A
x8	x4	x1	x2	x4	x4	x2	x4	x6


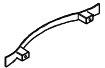
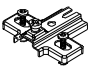



# II-III

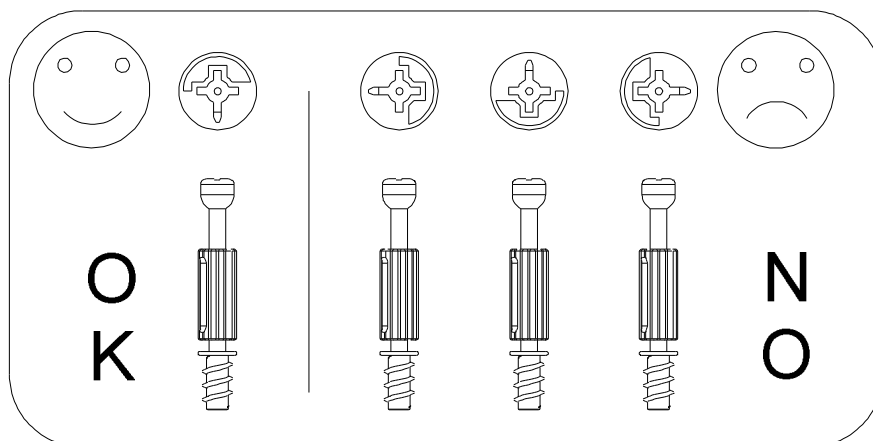
M4x20  E1	 F3	 D
x4	x2	x10

# IV-IX

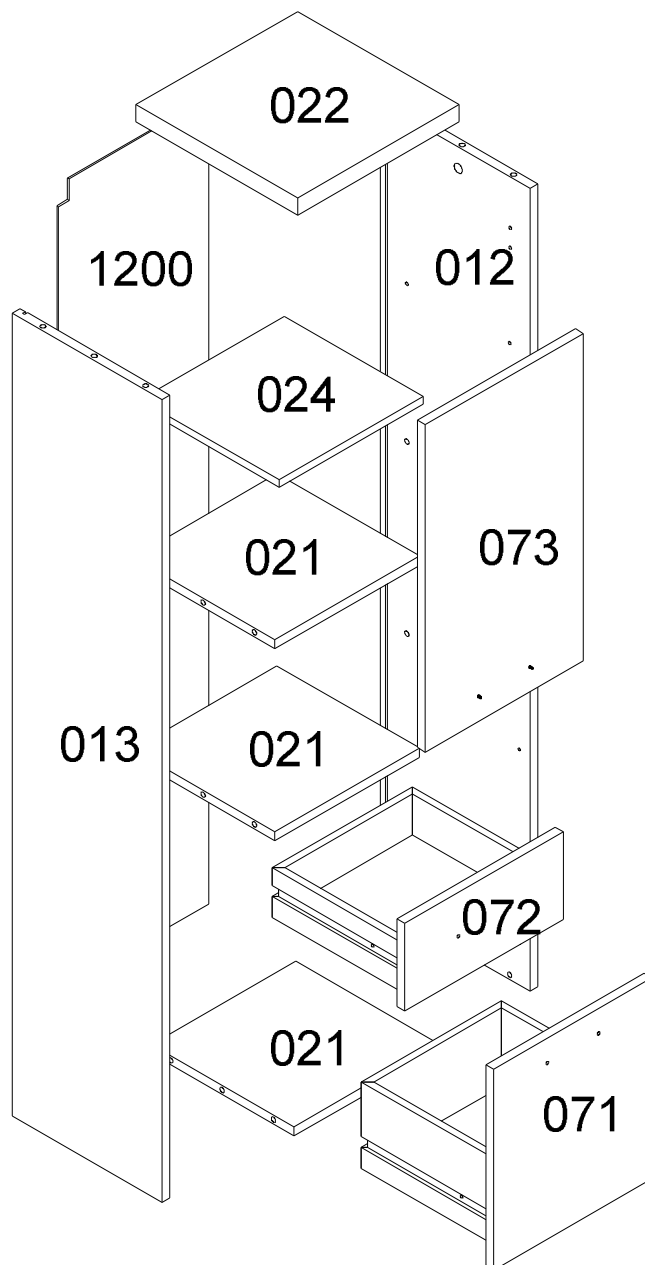
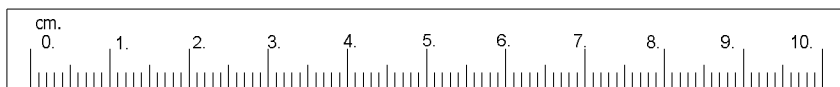
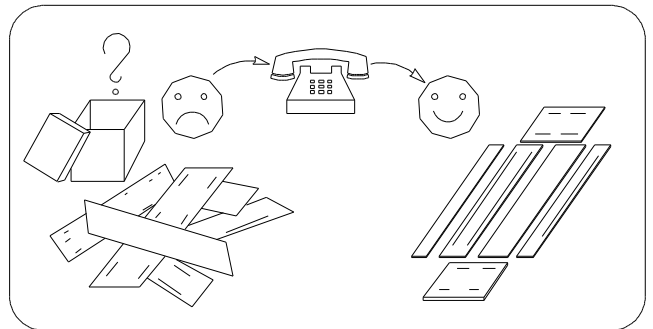
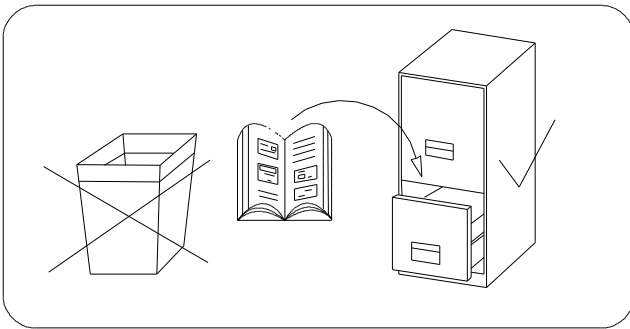
6,3x13  F2	 Z	 D	 A	 B
x4	x2	x12	x2	x6

# X-XVI

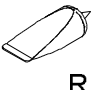
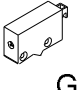

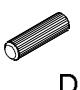
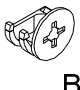

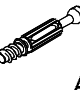


M4x20  E1	 F3	 L	M4x8  E	 I	Ø10x50j  KR
x2	x1	x2	x4	x6	x2

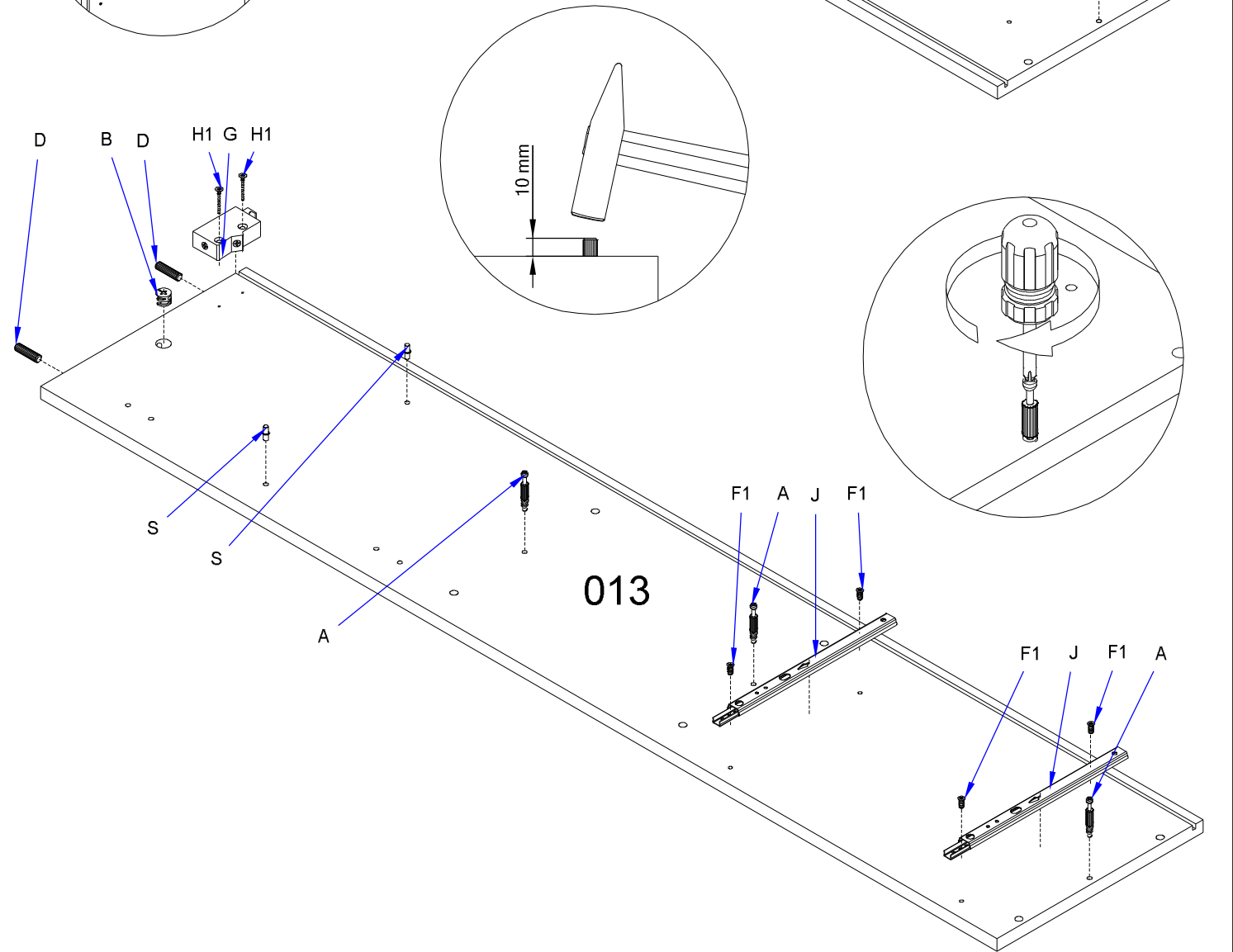
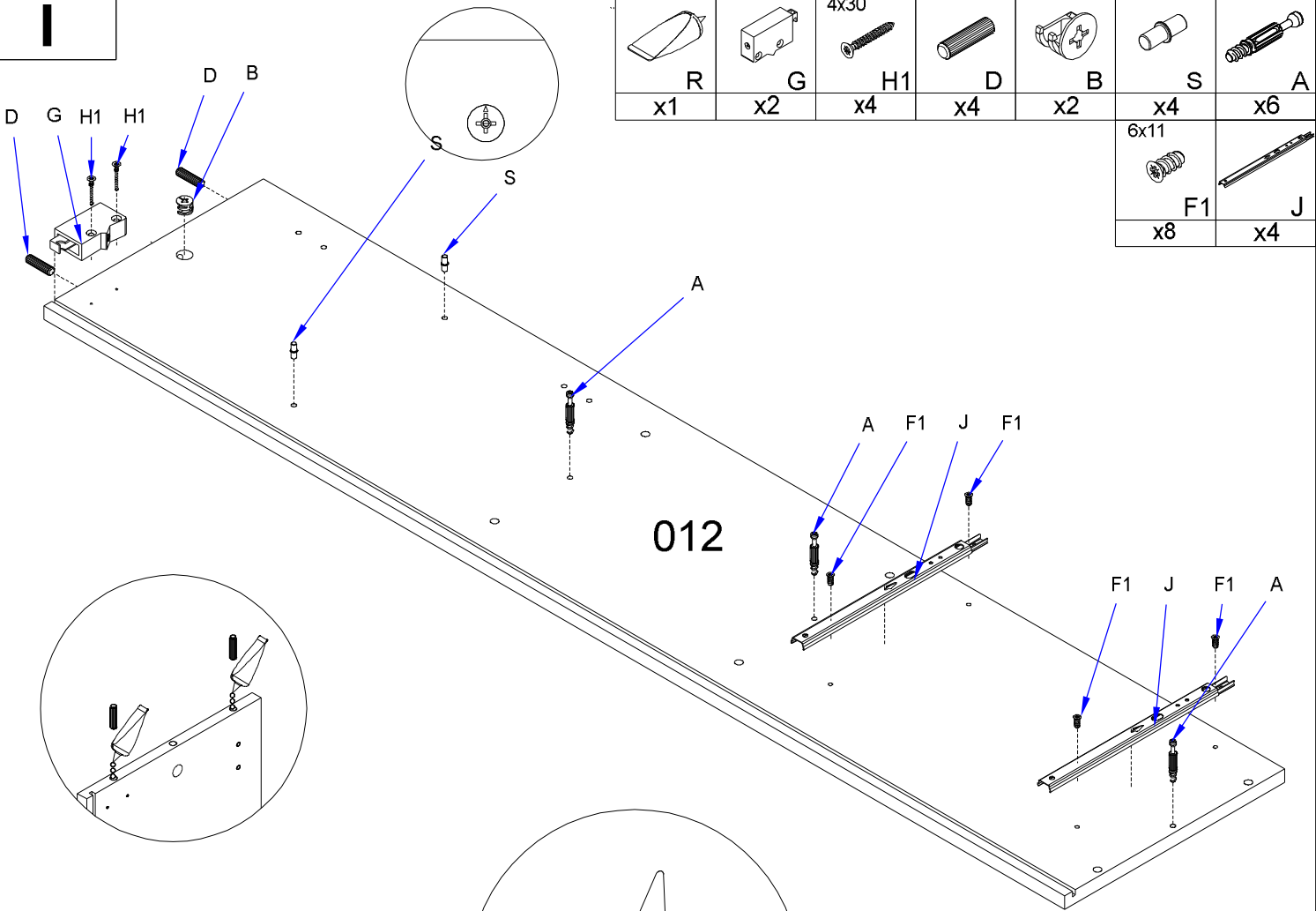



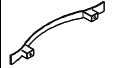
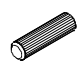
# 002



I

						
x1	x2	4x30 x4	x4	x2	x4	x6
						
					x8	x4



M4x20			
	E1	F3	D
	x2	x1	x6

1

009

1215

071

D

D

10 mm

2

3

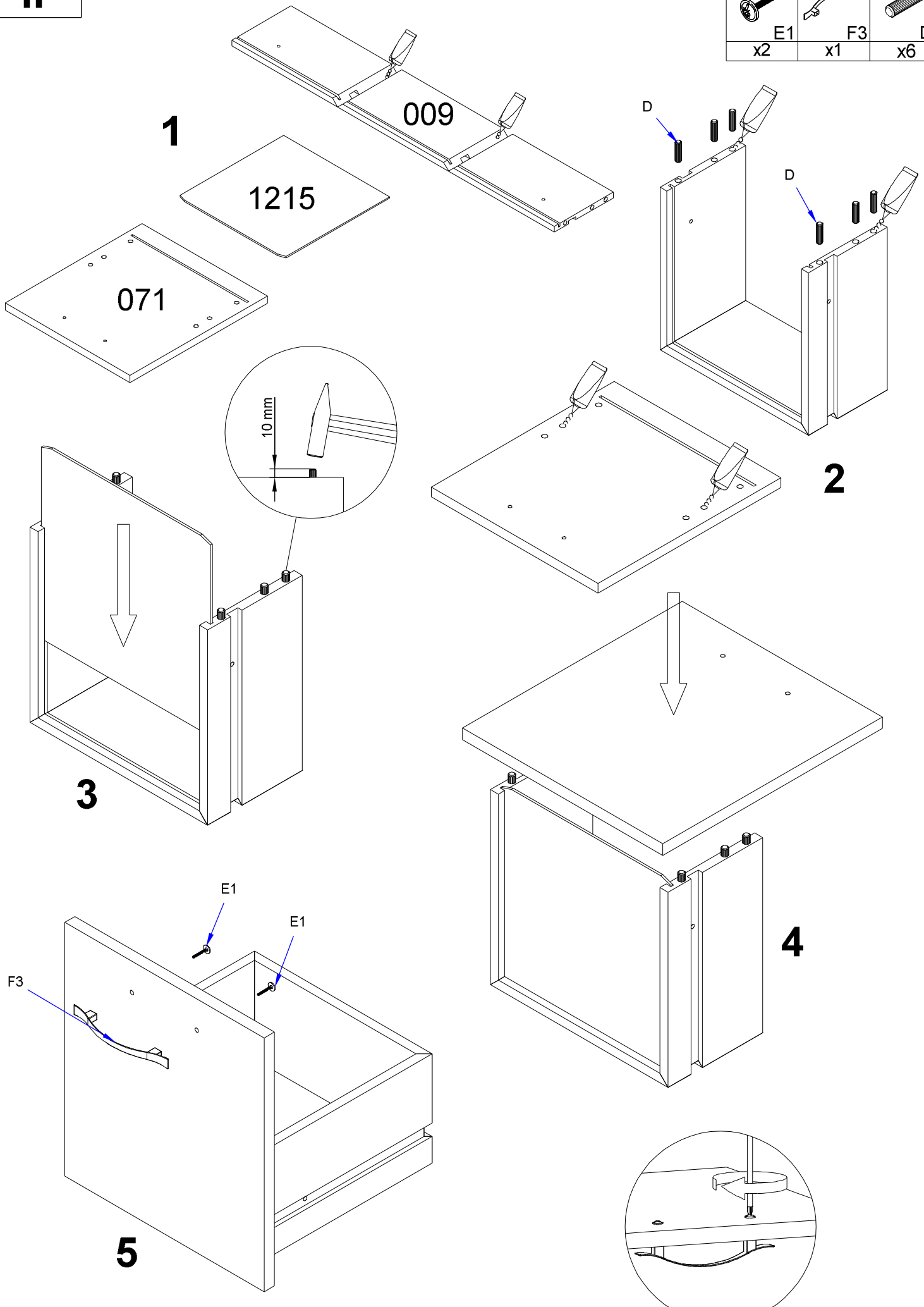
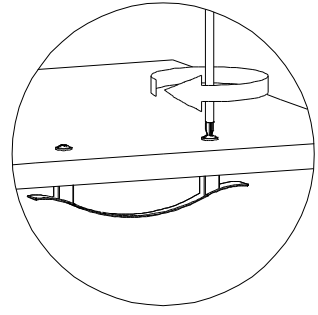
4

F3

E1

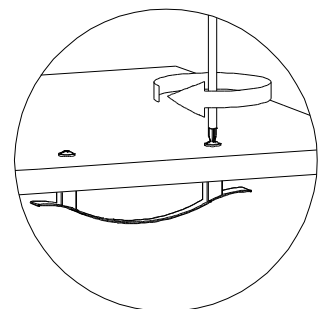
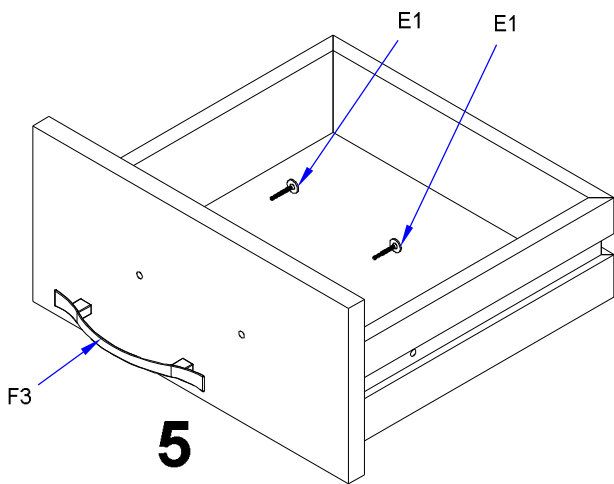
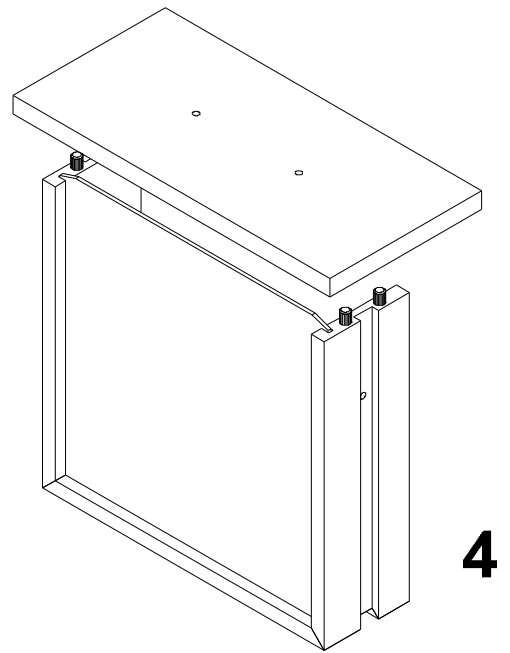
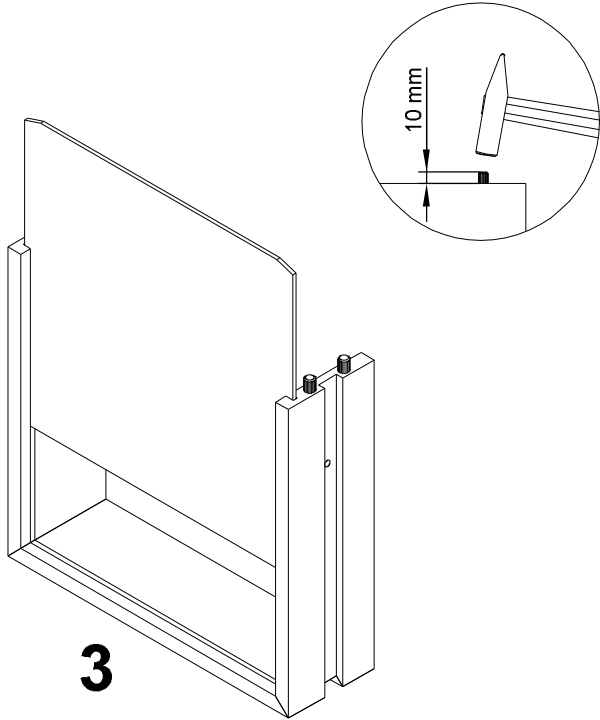
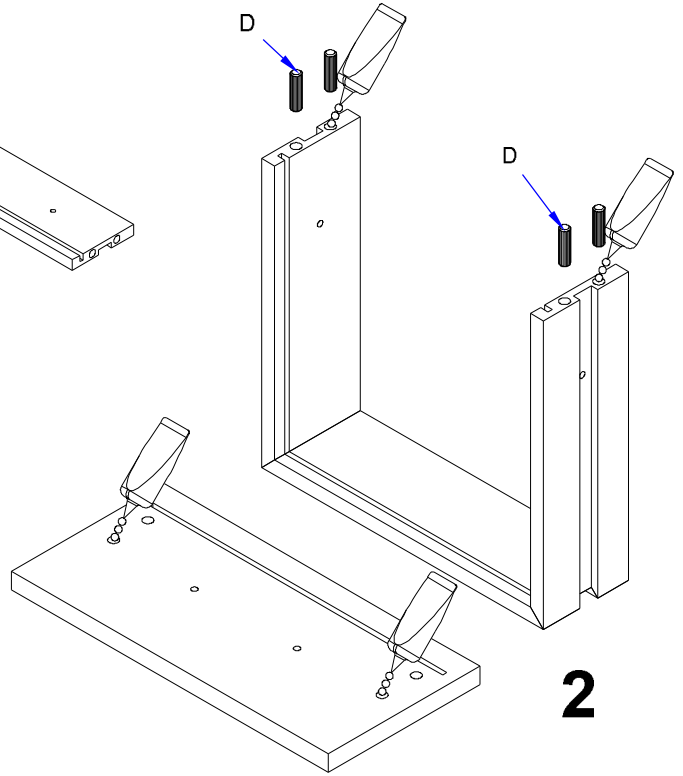
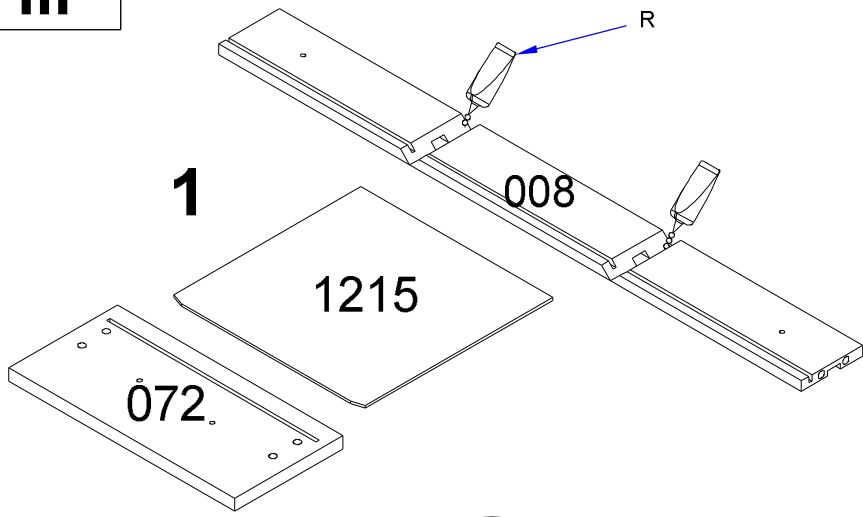
E1

5

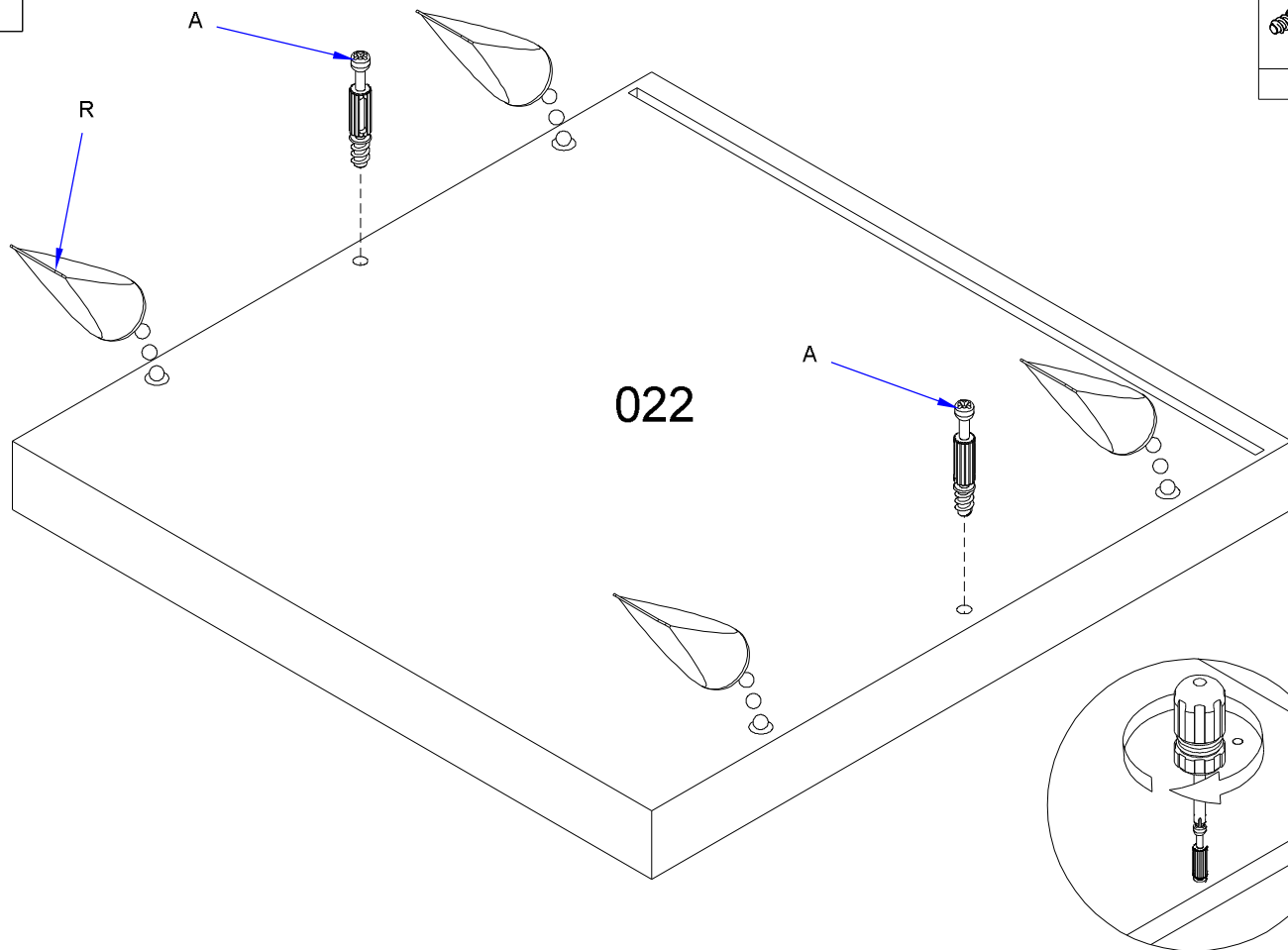


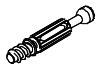


M4x20			
	E1	F3	D
	x2	x1	x4

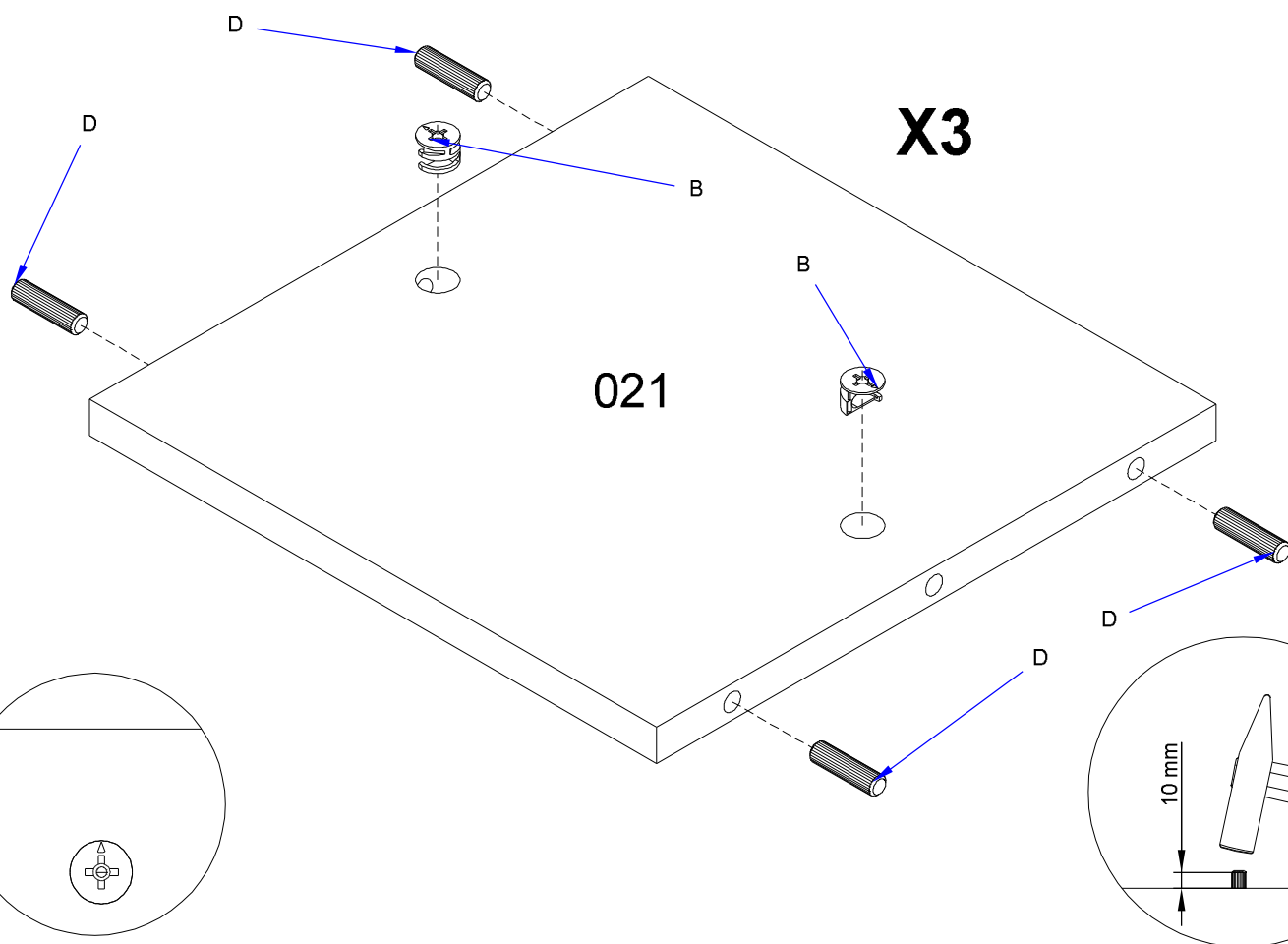



# IV

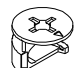


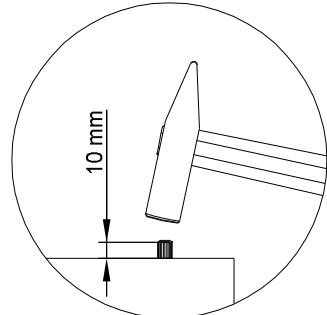
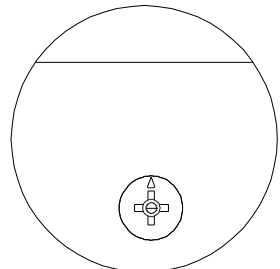
  
A  
x2

# V


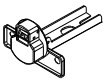


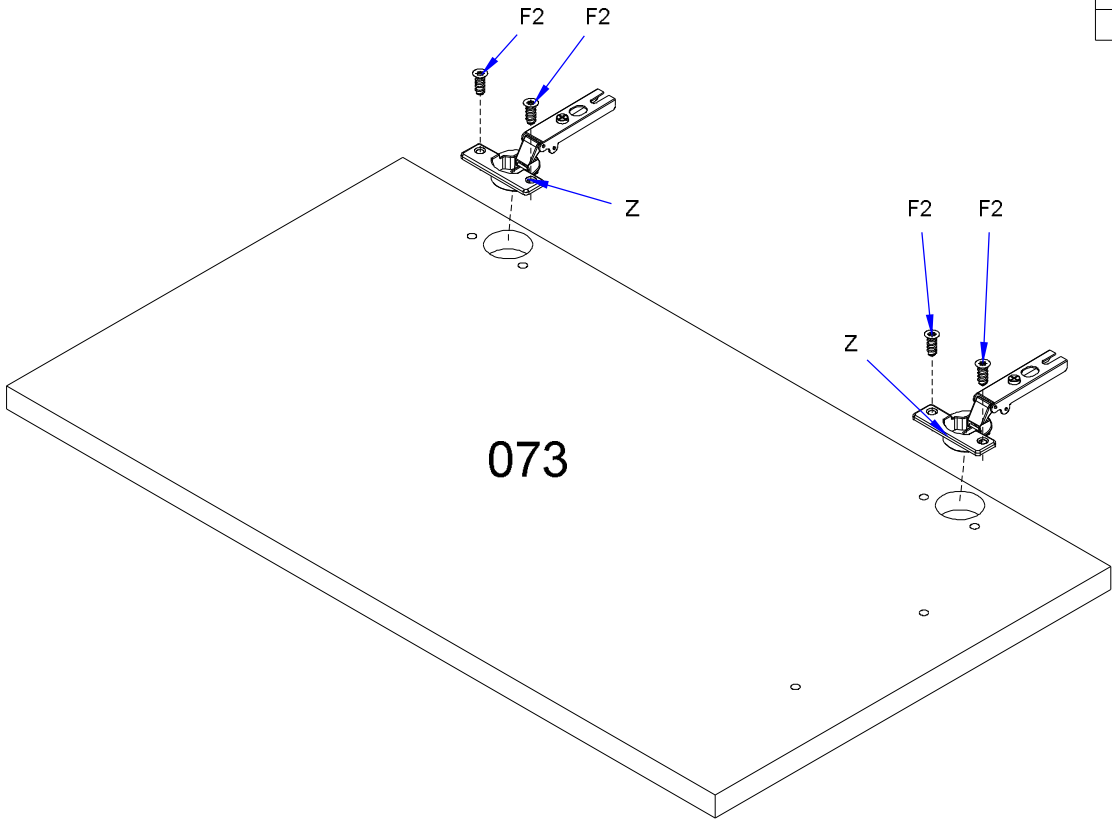
  
D  
x12

  
B  
x6

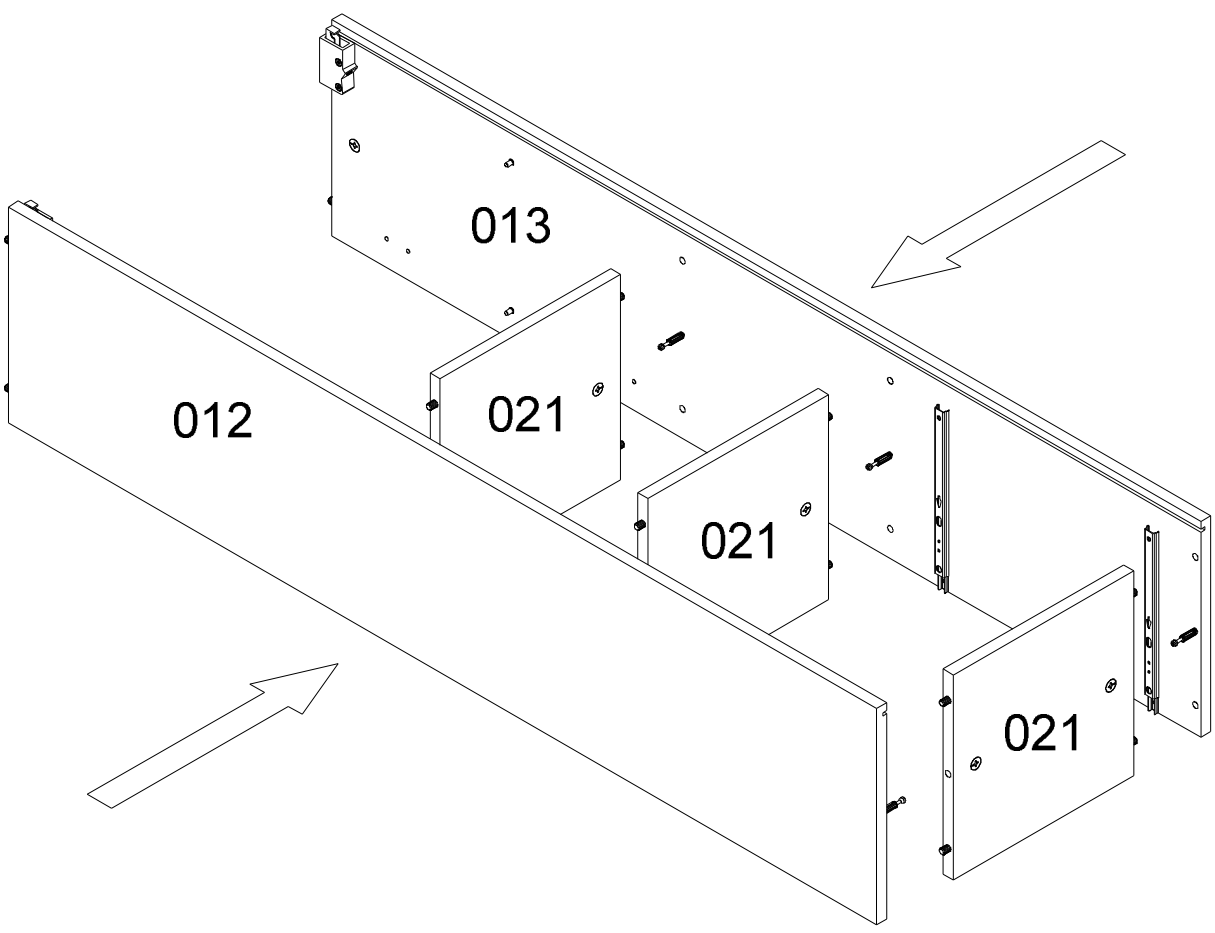


# VI

6,3x13		
	F2	Z
x4		x2

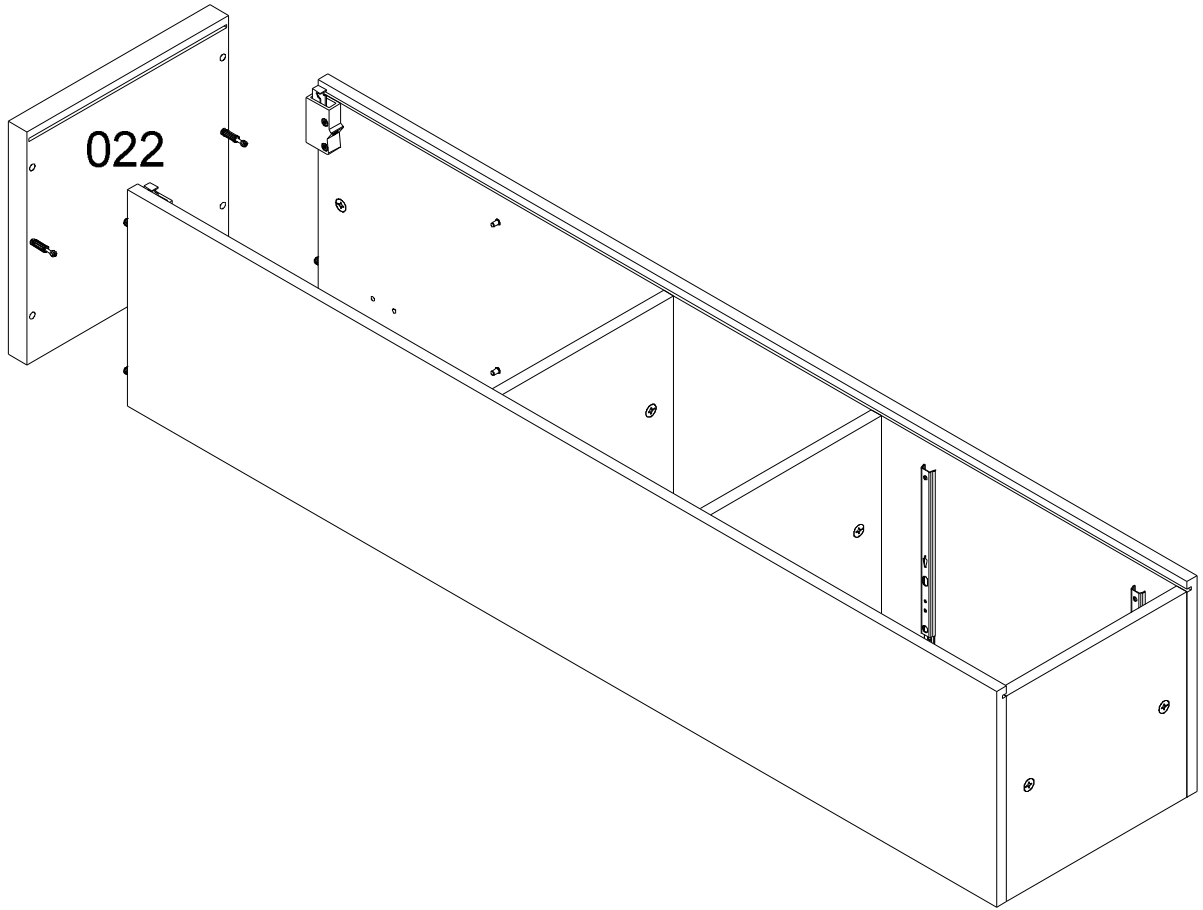


# VII

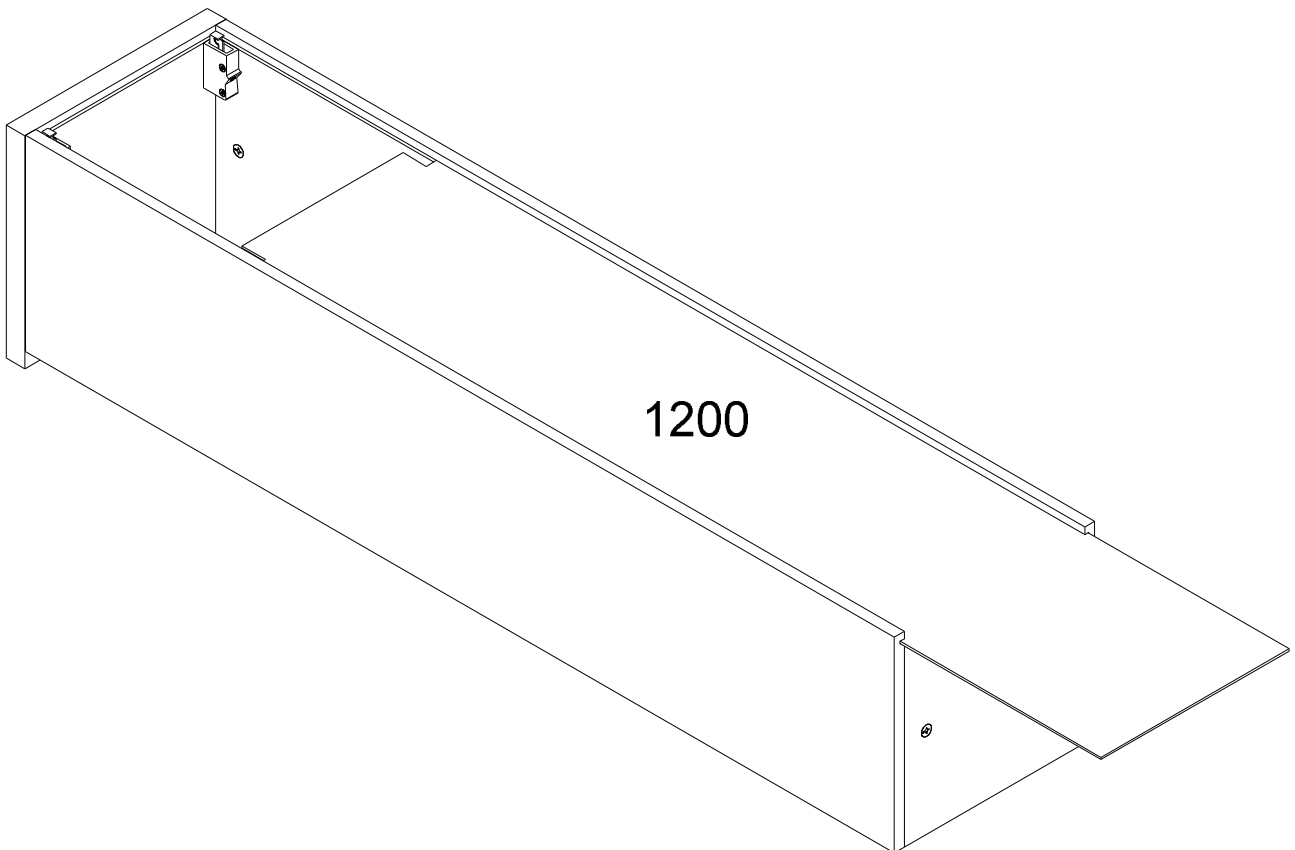




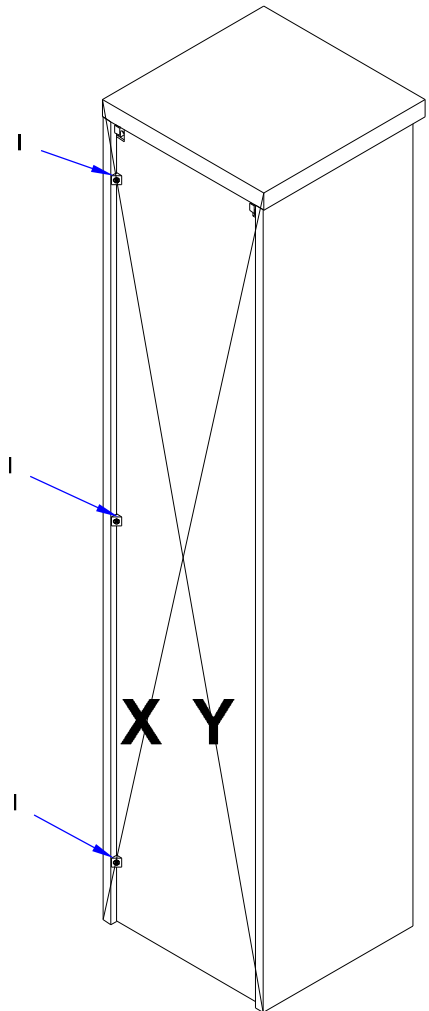
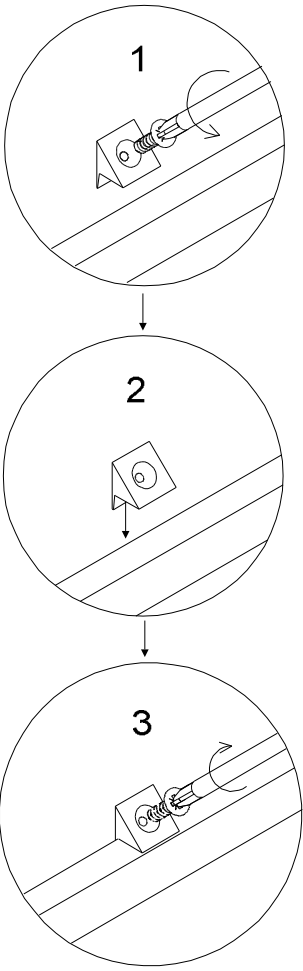
VIII



IX

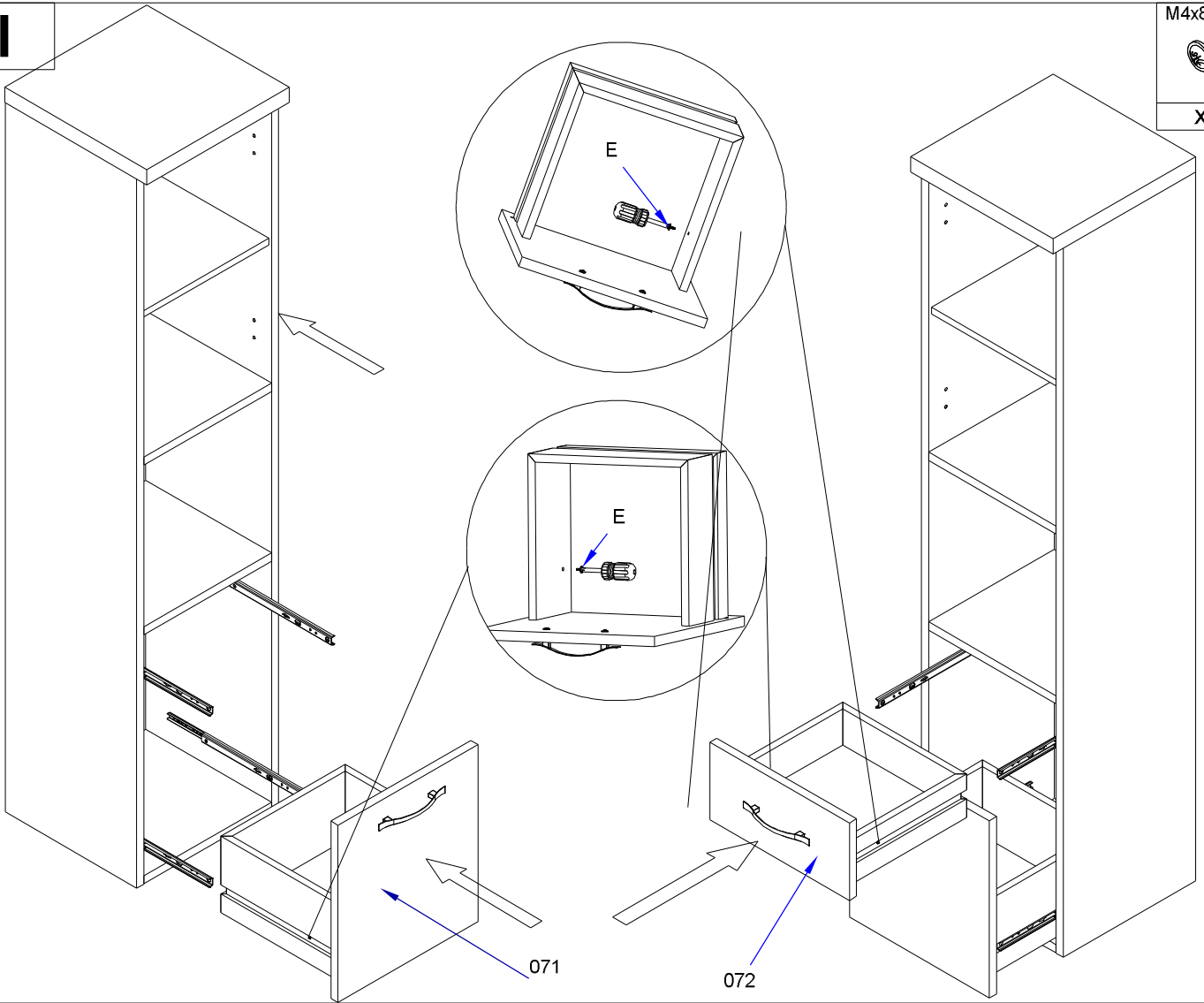


**X**



I  
x6

**XI**



M4x8



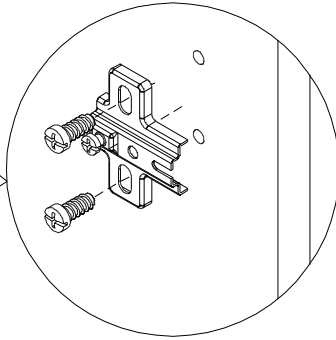
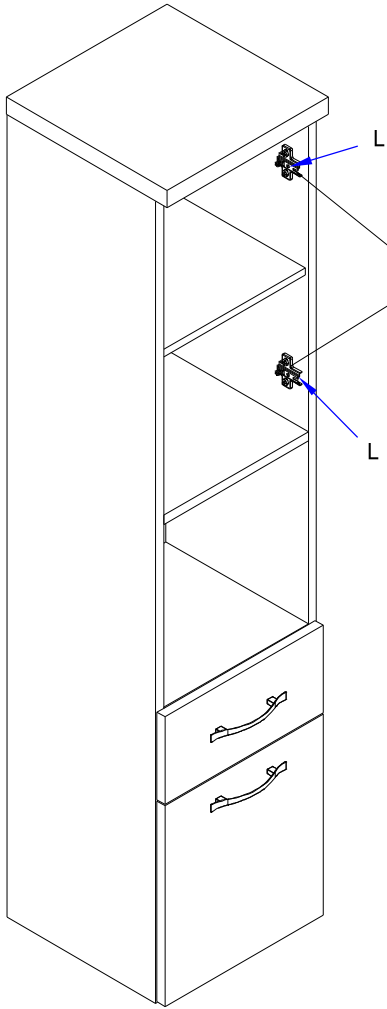
E  
x4

XII

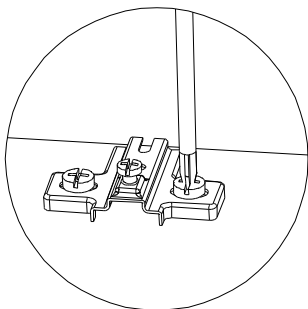
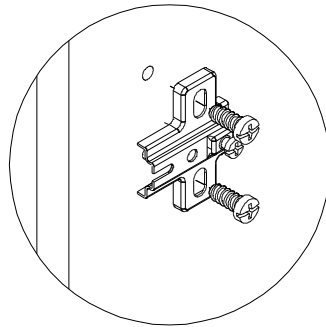
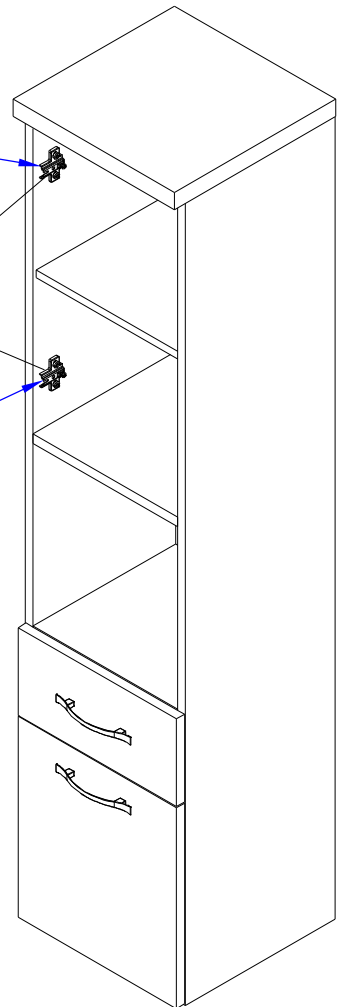
R

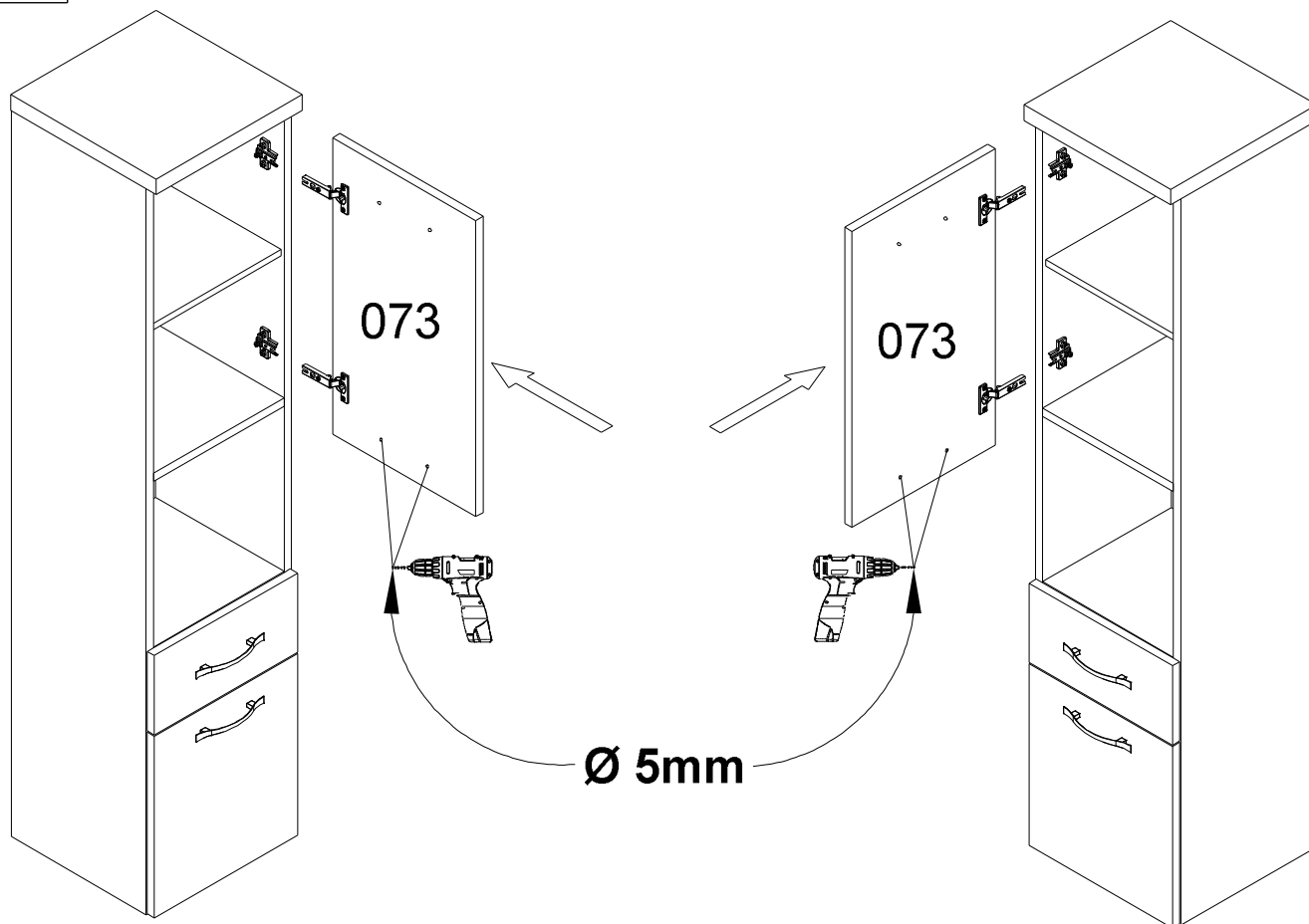


x2 L



L



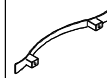
**XIII****R****L****XIV**

M4x20



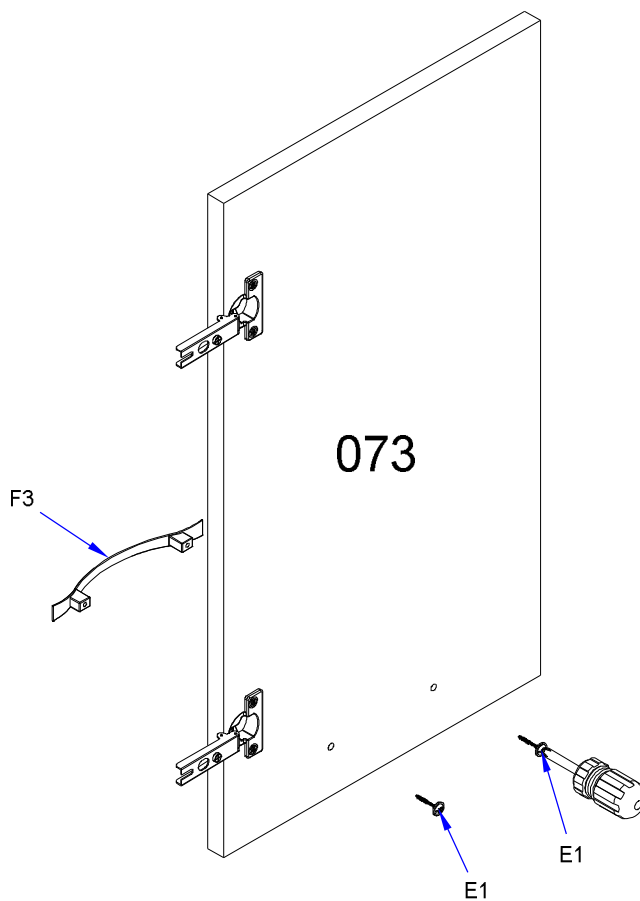
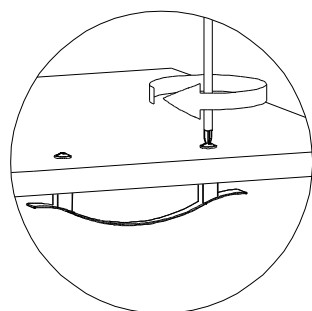
E1

x2

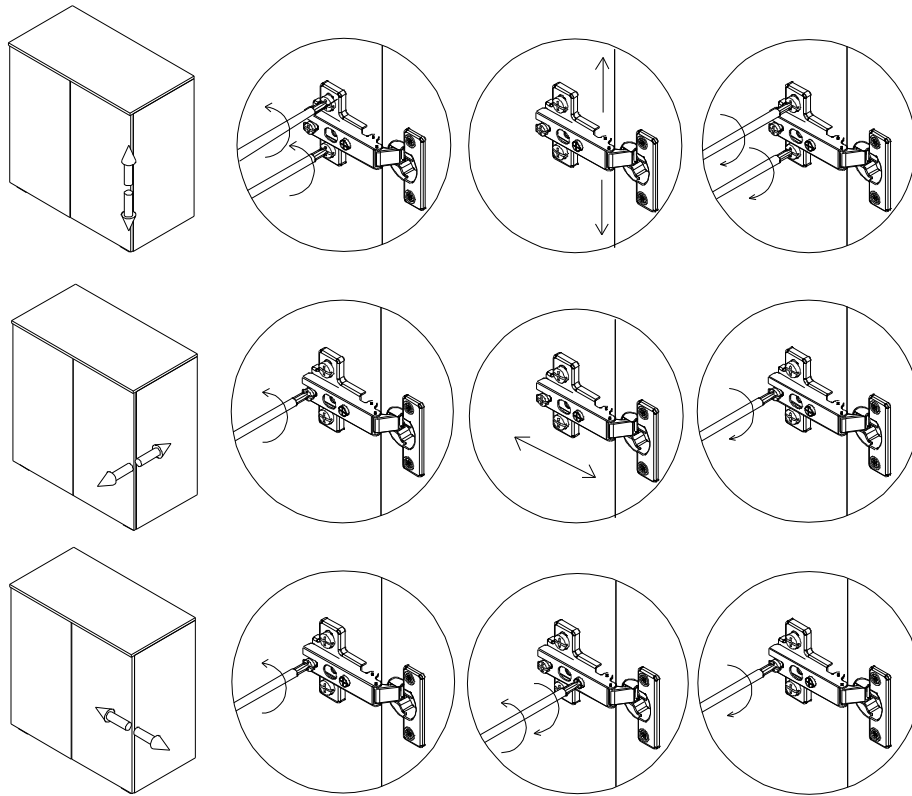


F3

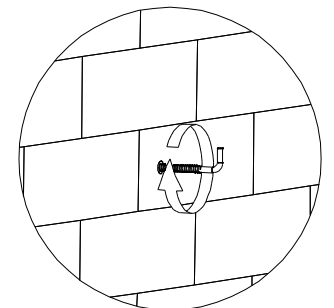
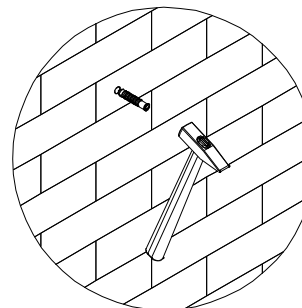
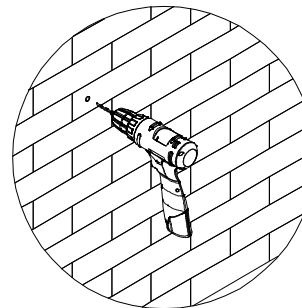
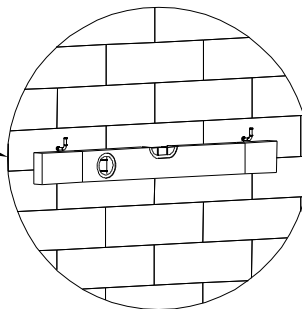
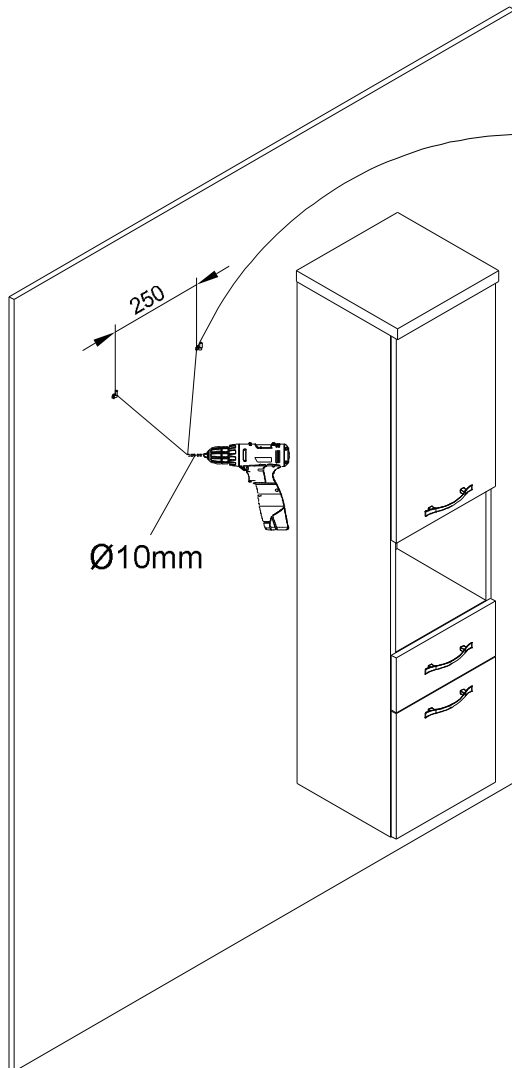
x1



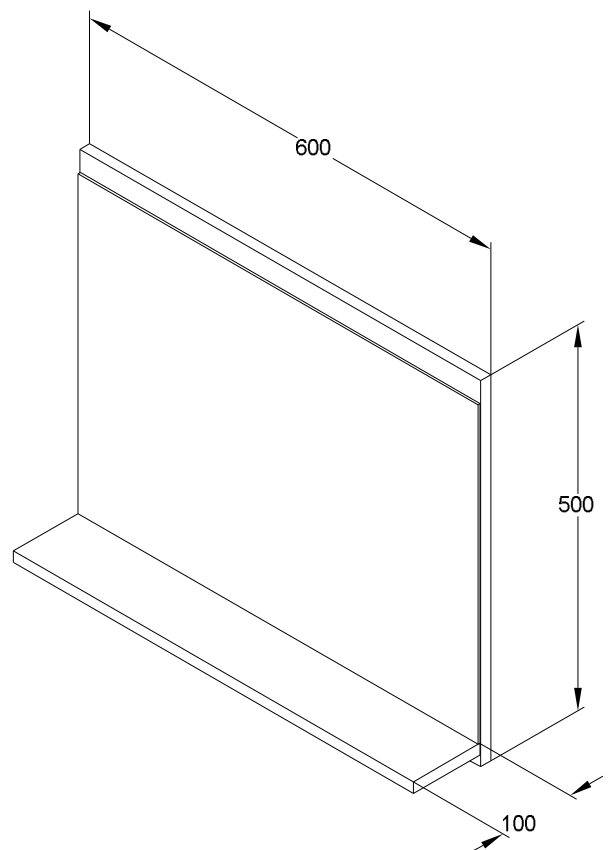
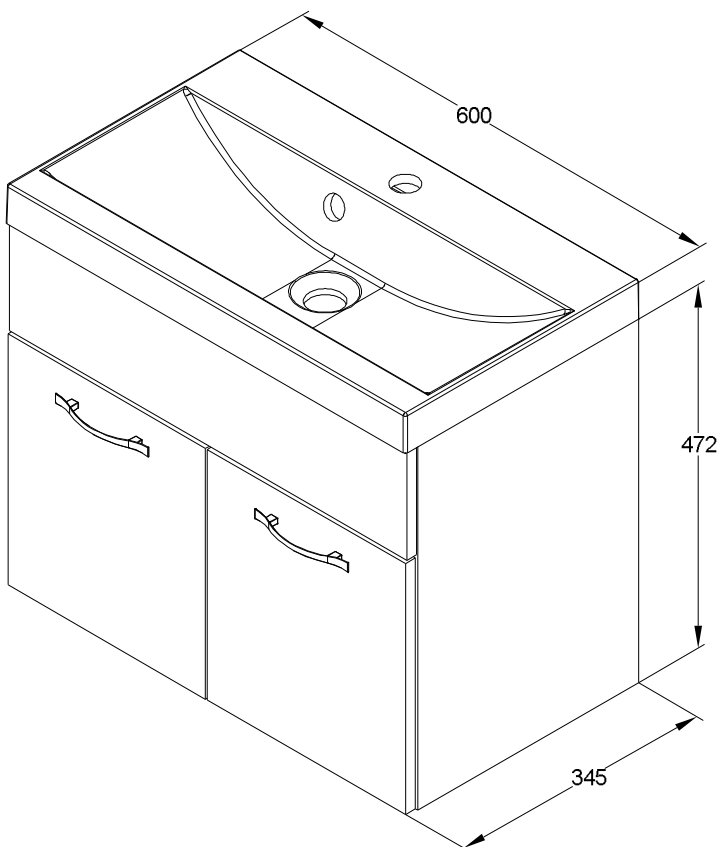
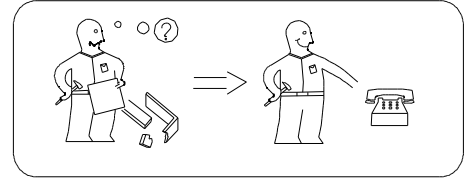
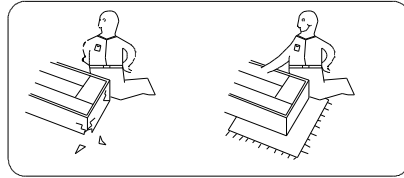
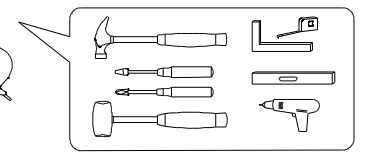
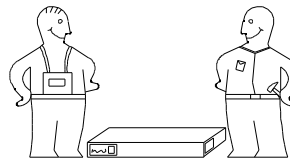
**XV**



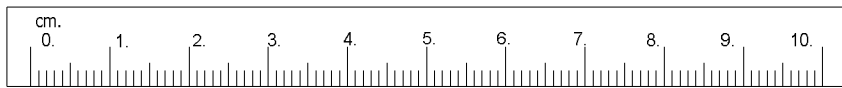
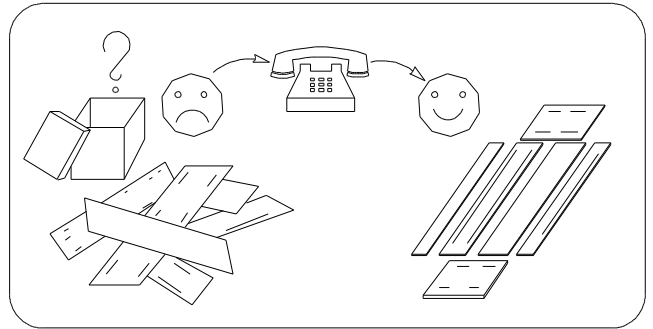
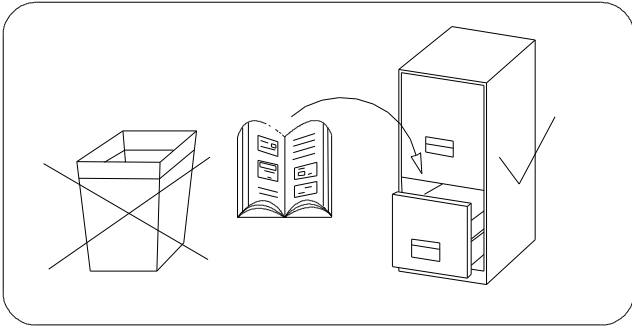
**XVI**



$\text{Ø}10 \times 50$   
KR  
x2

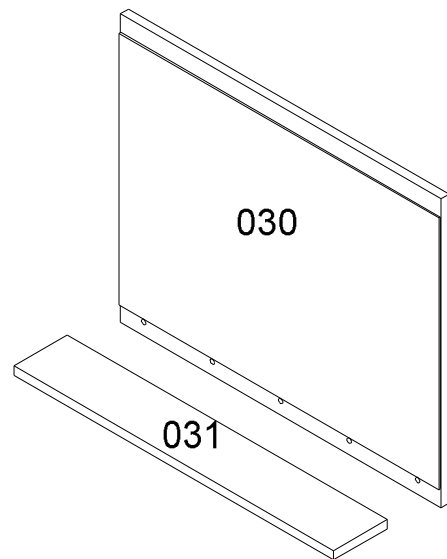
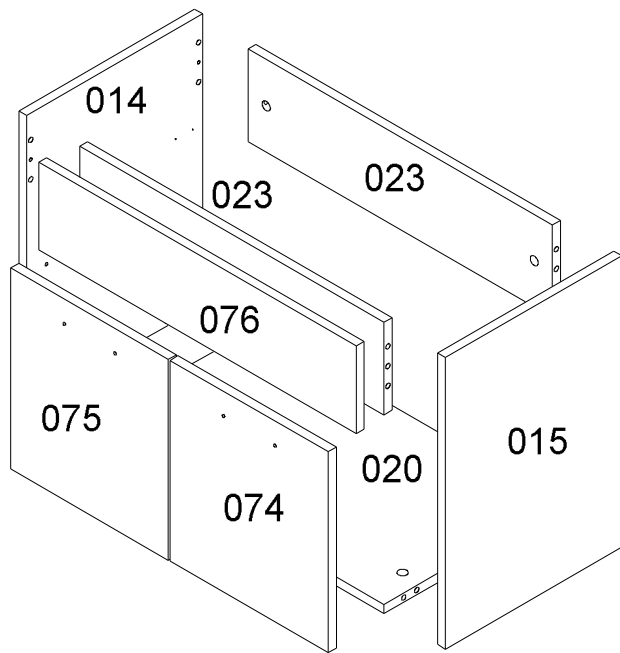


# 010/030


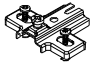
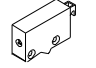

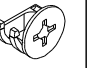



**010**

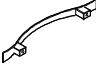
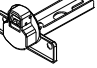



**030**





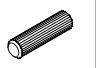



# I - III

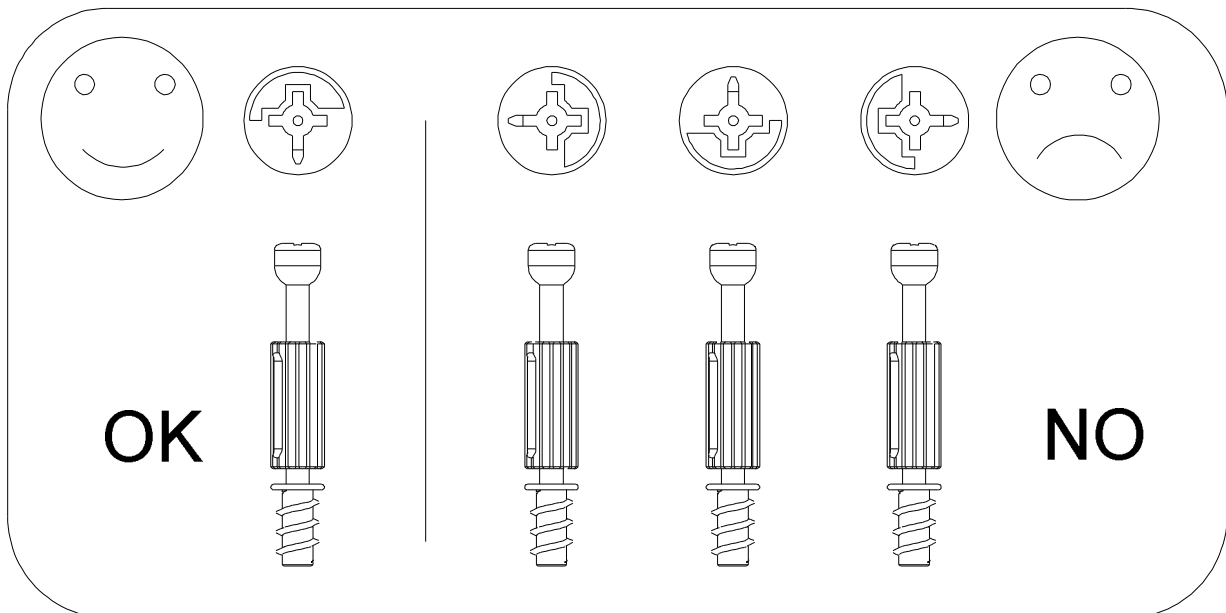
					
A	L	G	H1	B	D
x8	x4	x2	x4	x8	x12

# IV - VIII

				
F3	Z	H3	F2	E1
x2	x4	x2	x8	x4

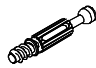
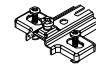
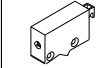

# IX-XIII

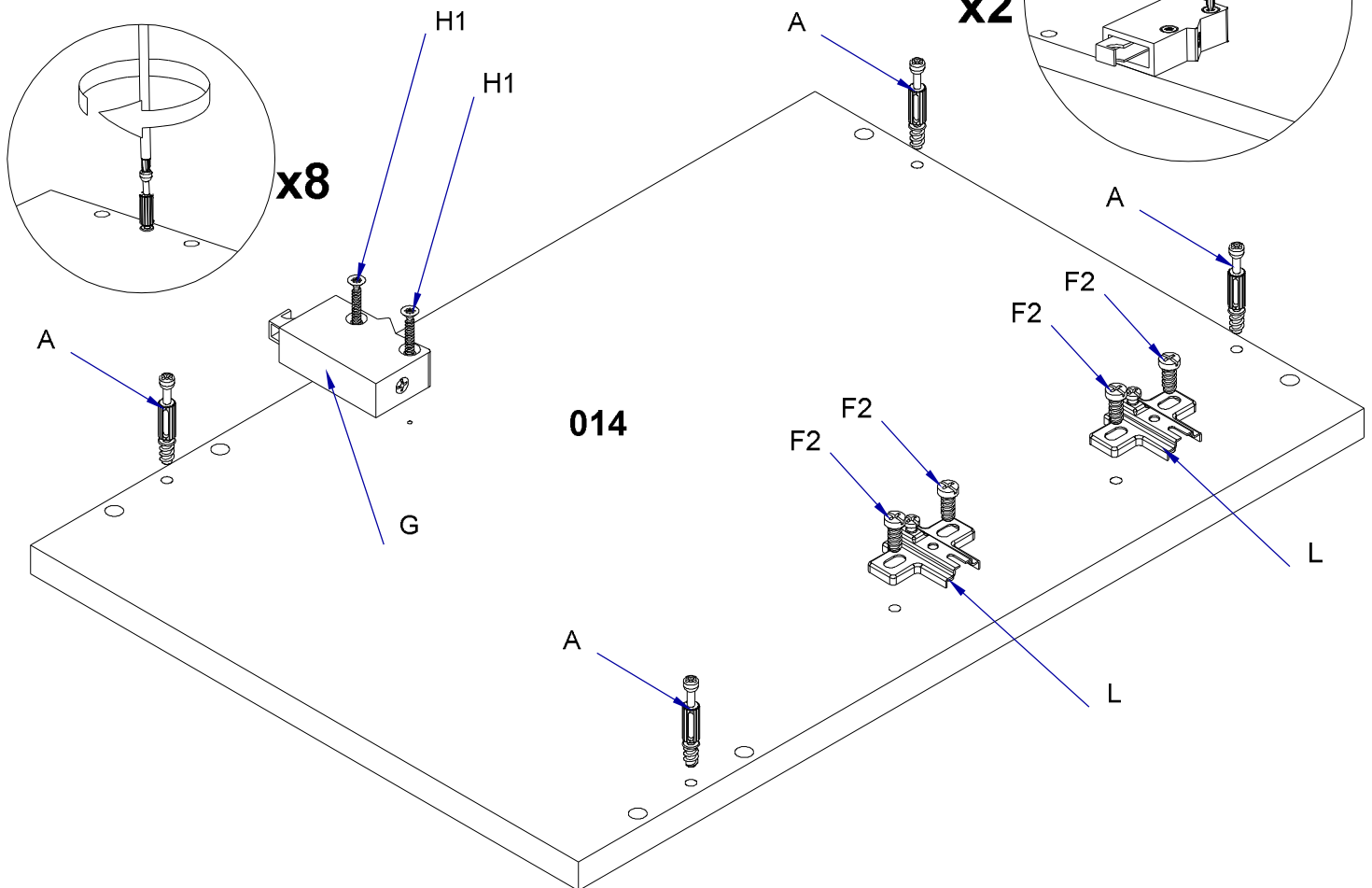
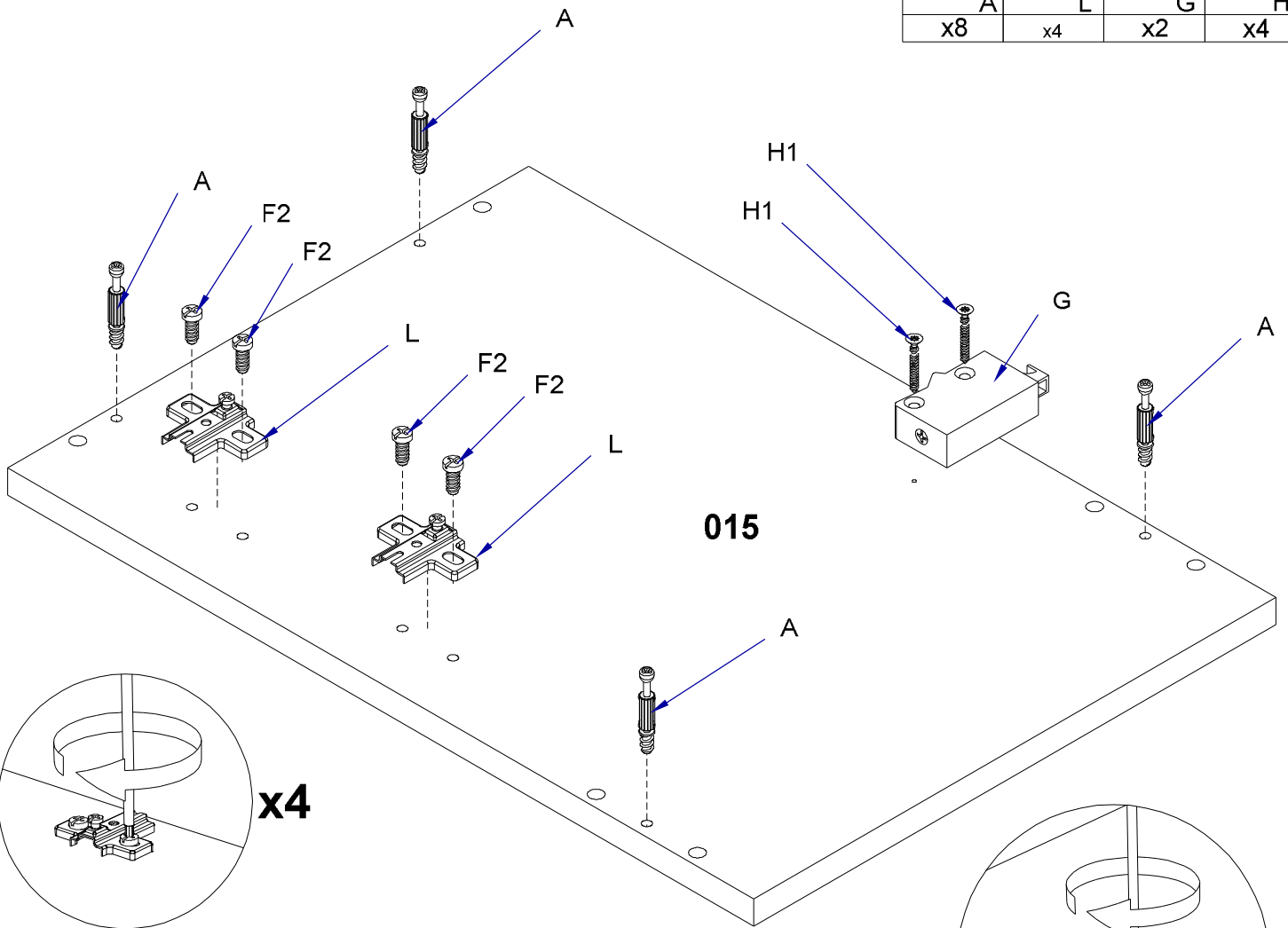
					
H	Y1	D	O	U	KR
x4	x2	x2	x3	x1	x4



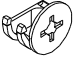



I

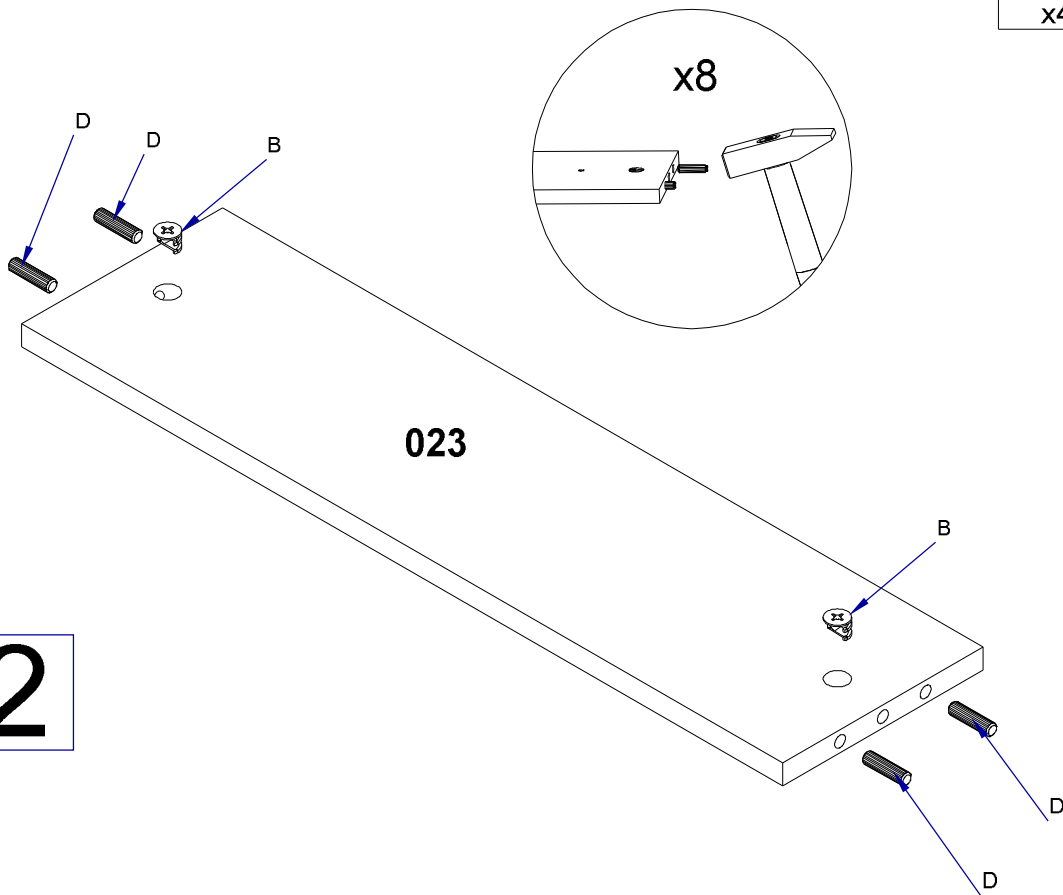
			
A	L	G	H1
x8	x4	x2	x4



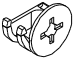

II

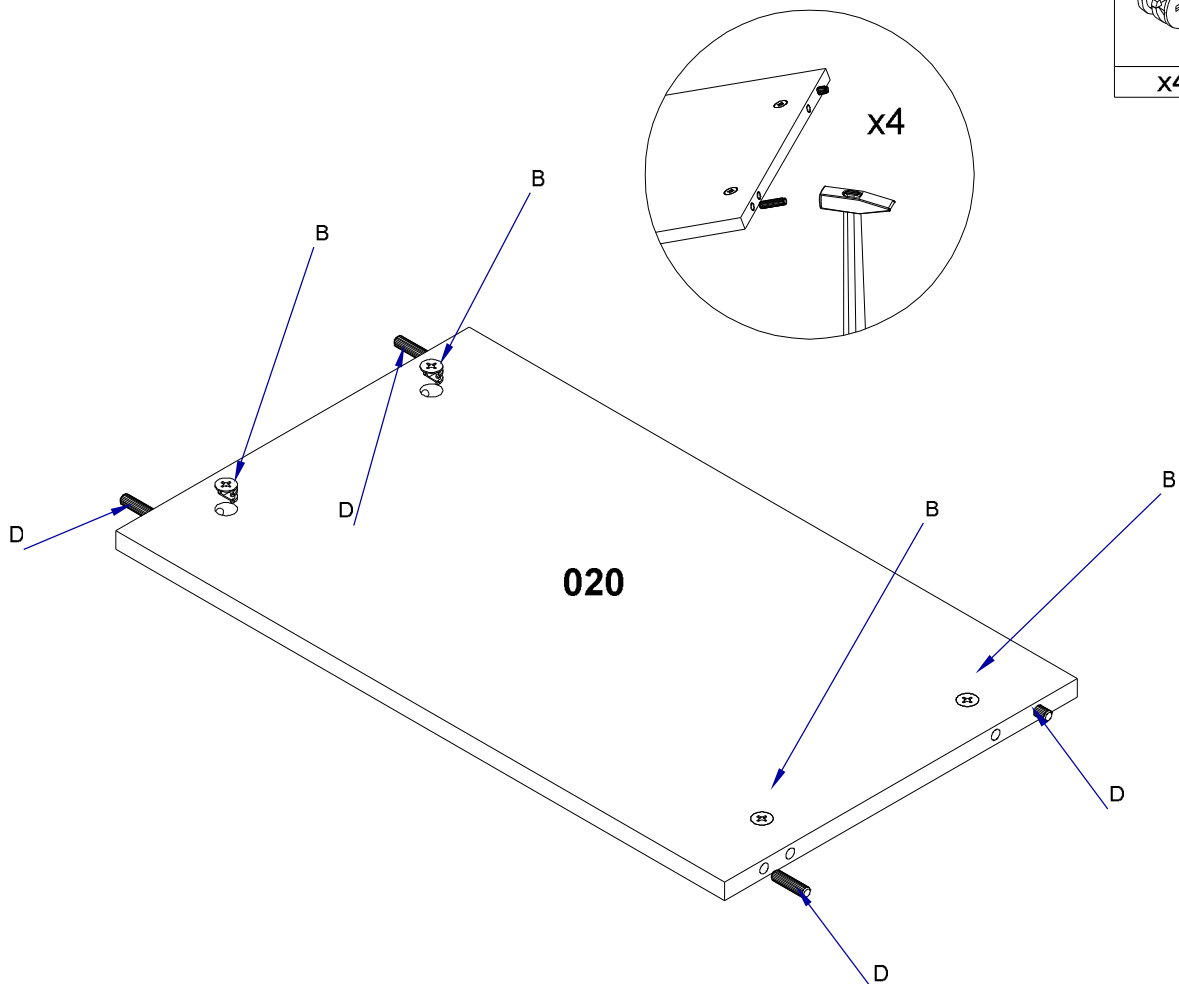
	
B	D
x4	x8

x2

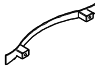
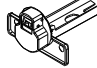




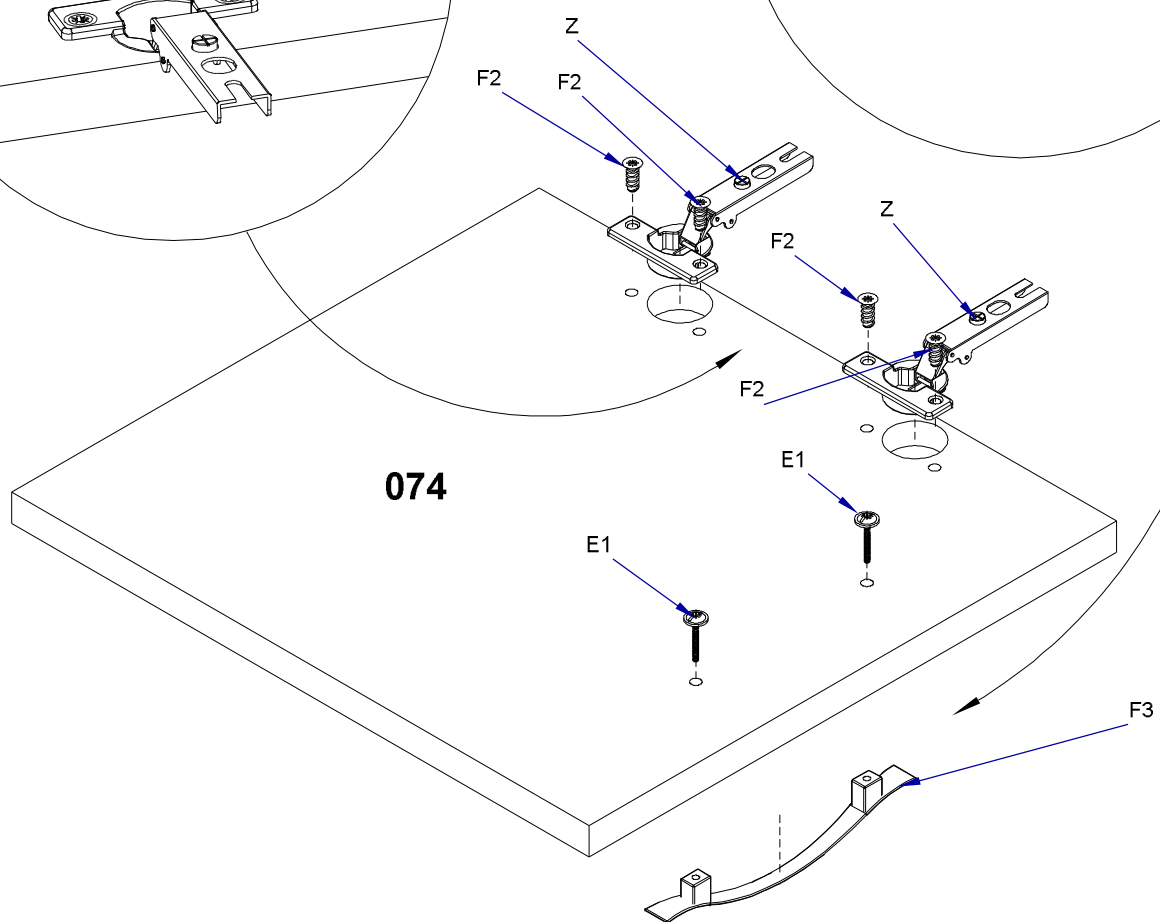
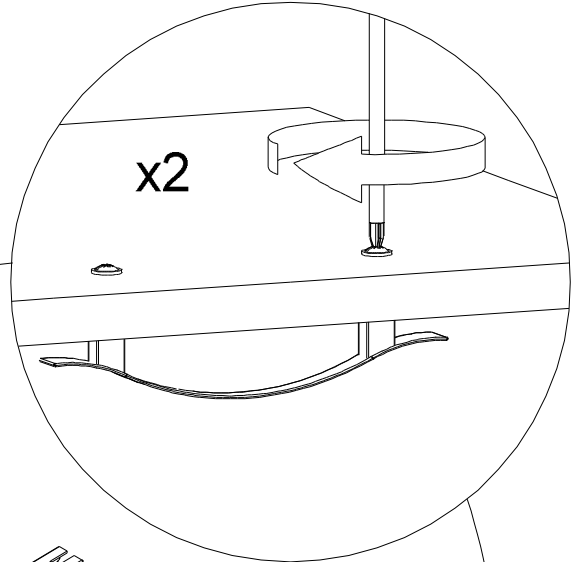
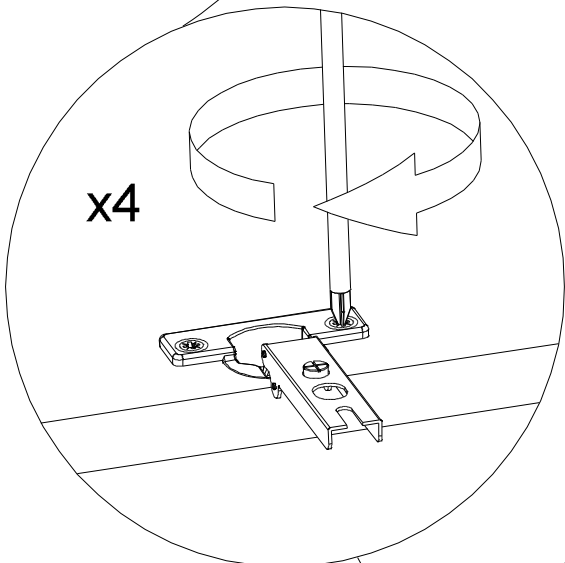
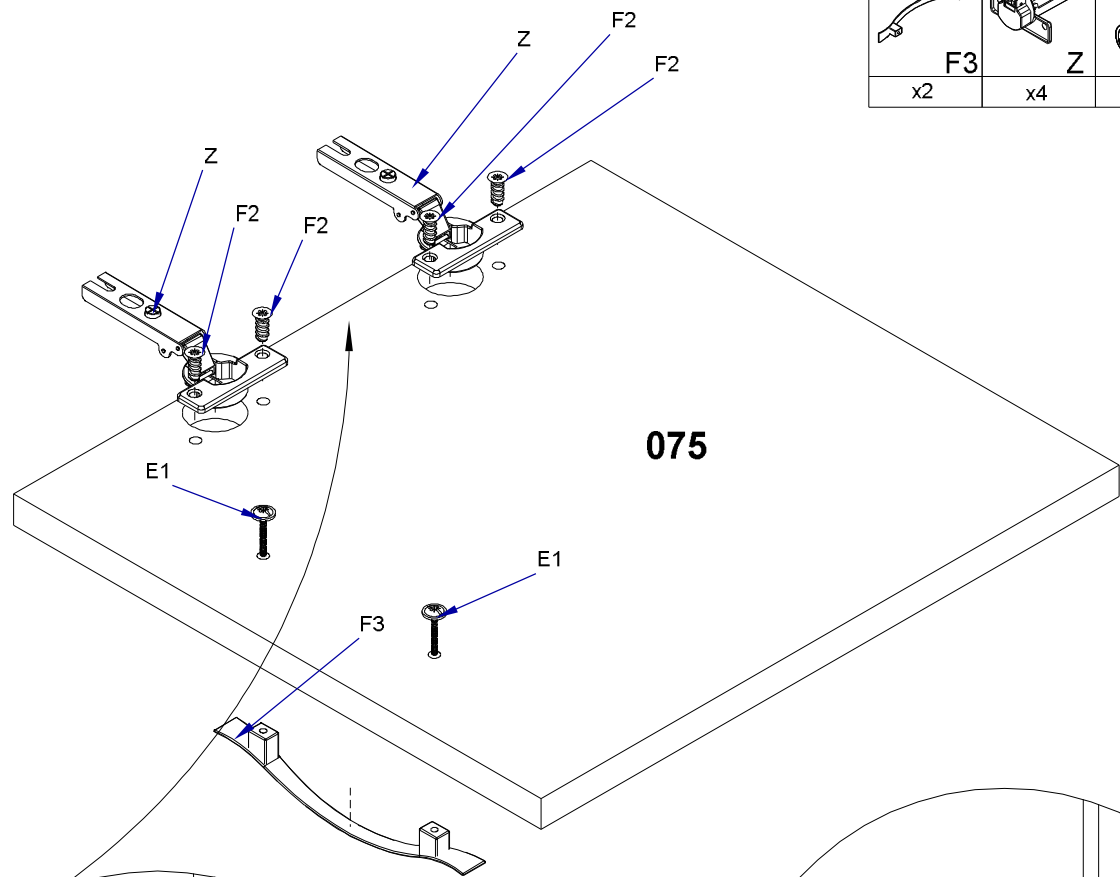
III

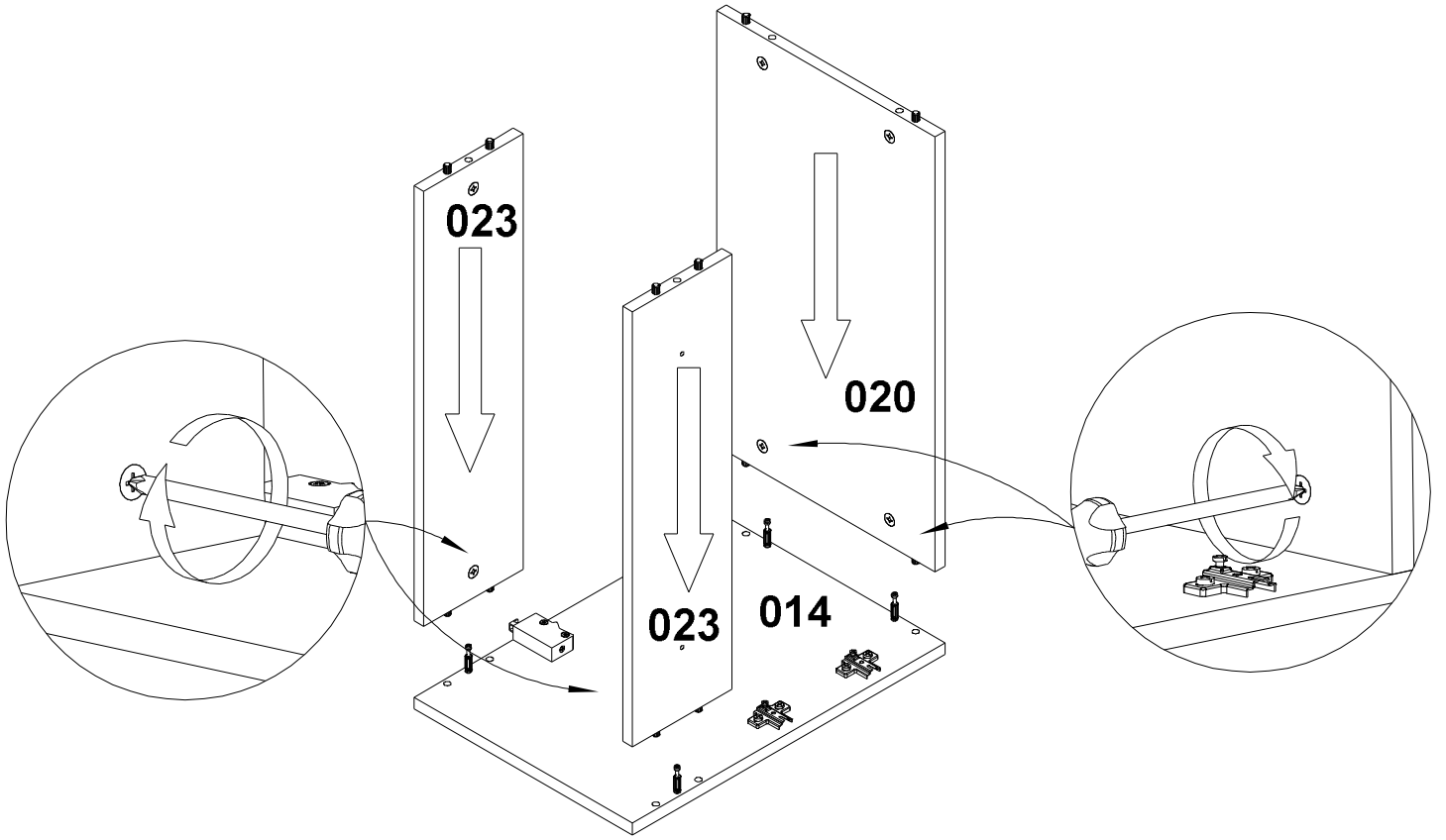
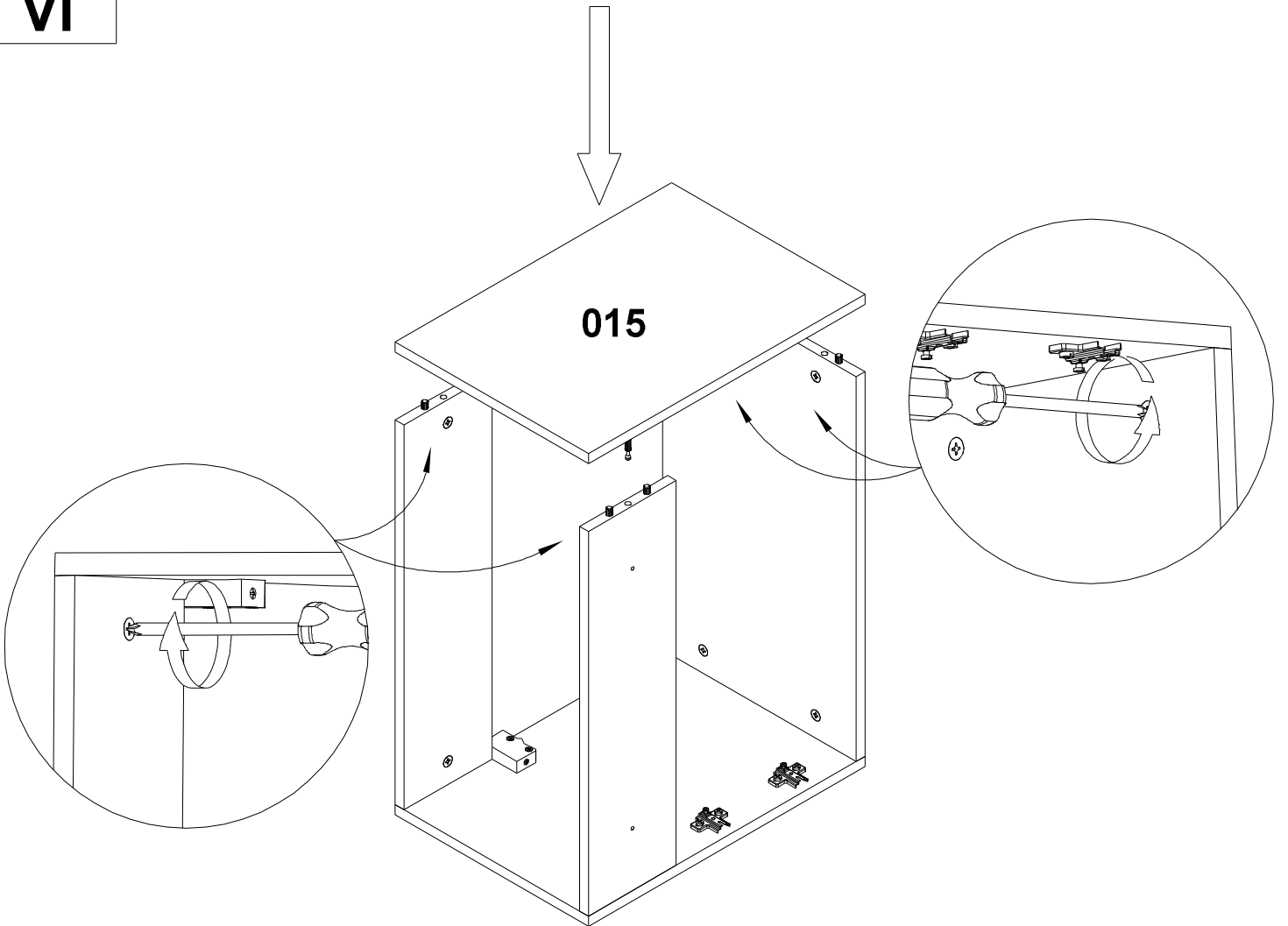
	
B	D
x4	x4



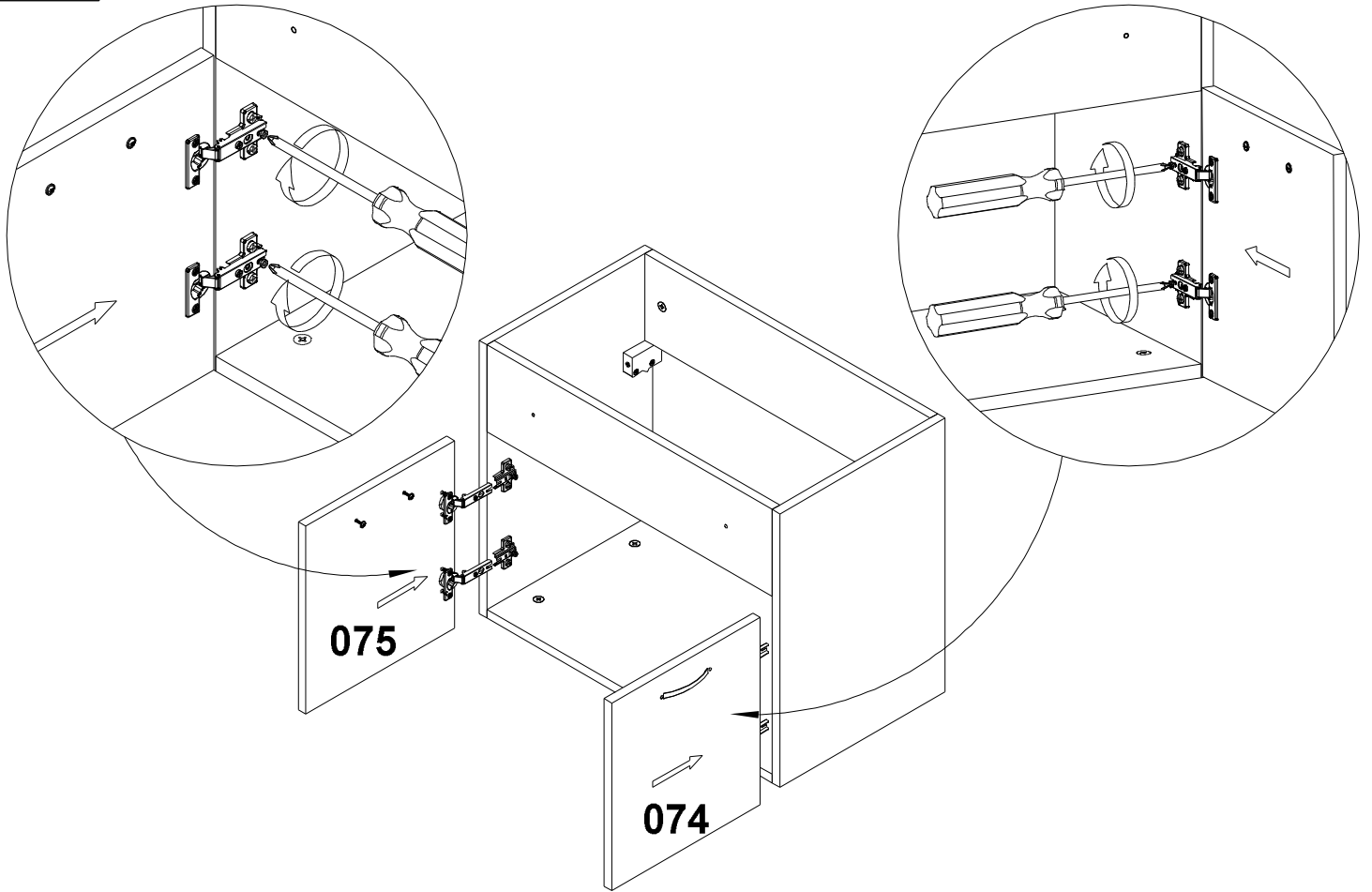
# IV

			
F3	Z	E1	F2
x2	x4	x4	x8

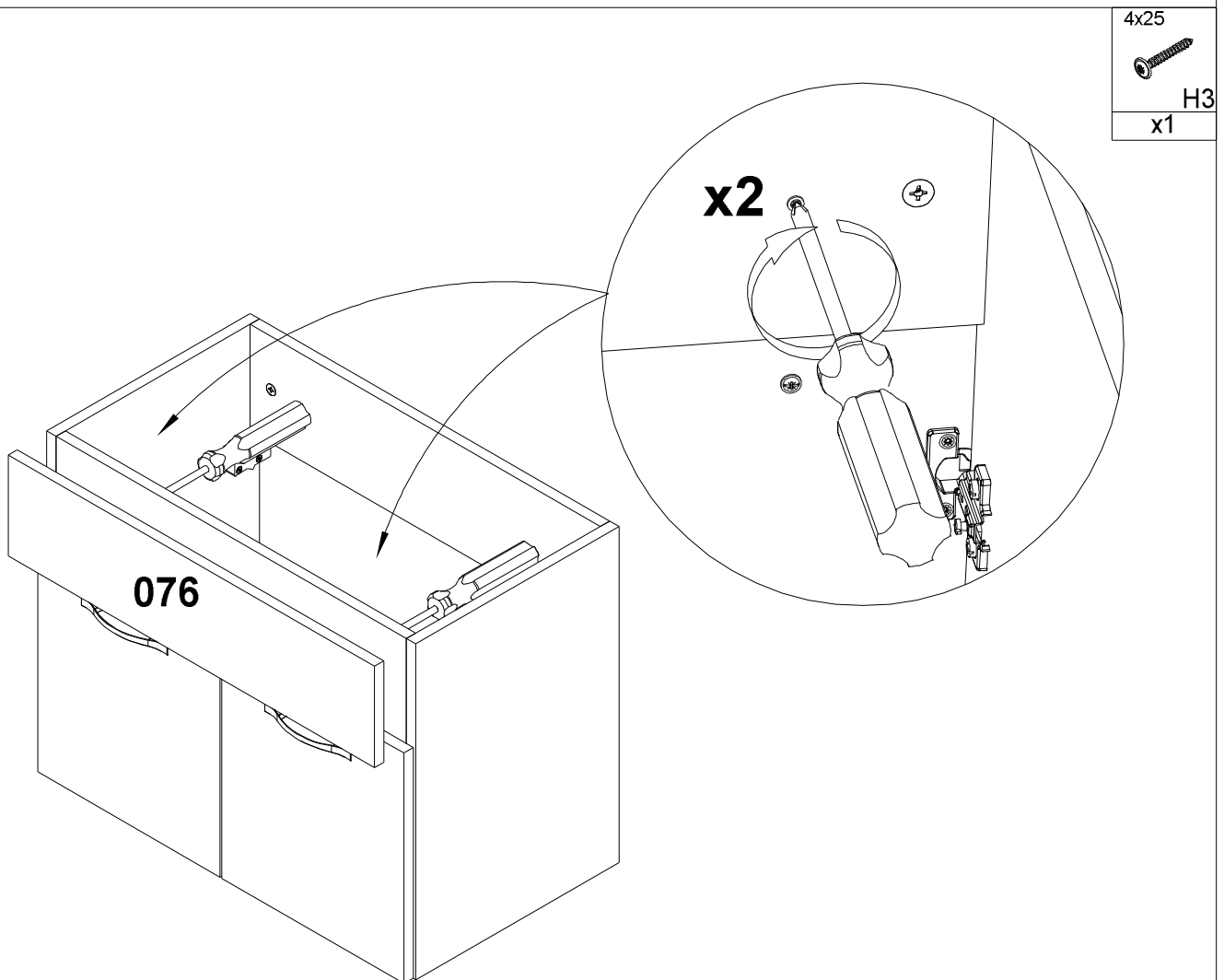


**V****VI**



# VII

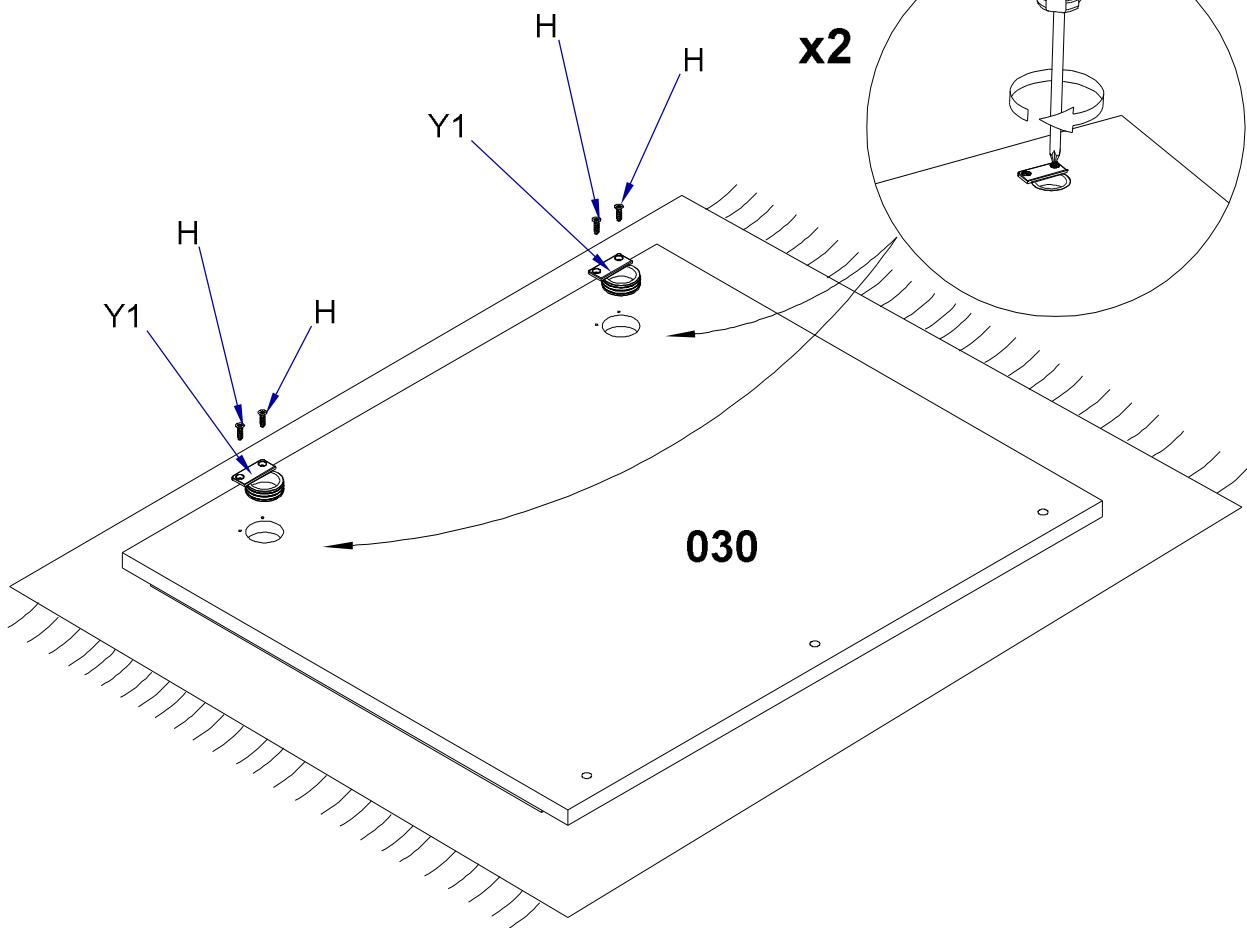


# VIII




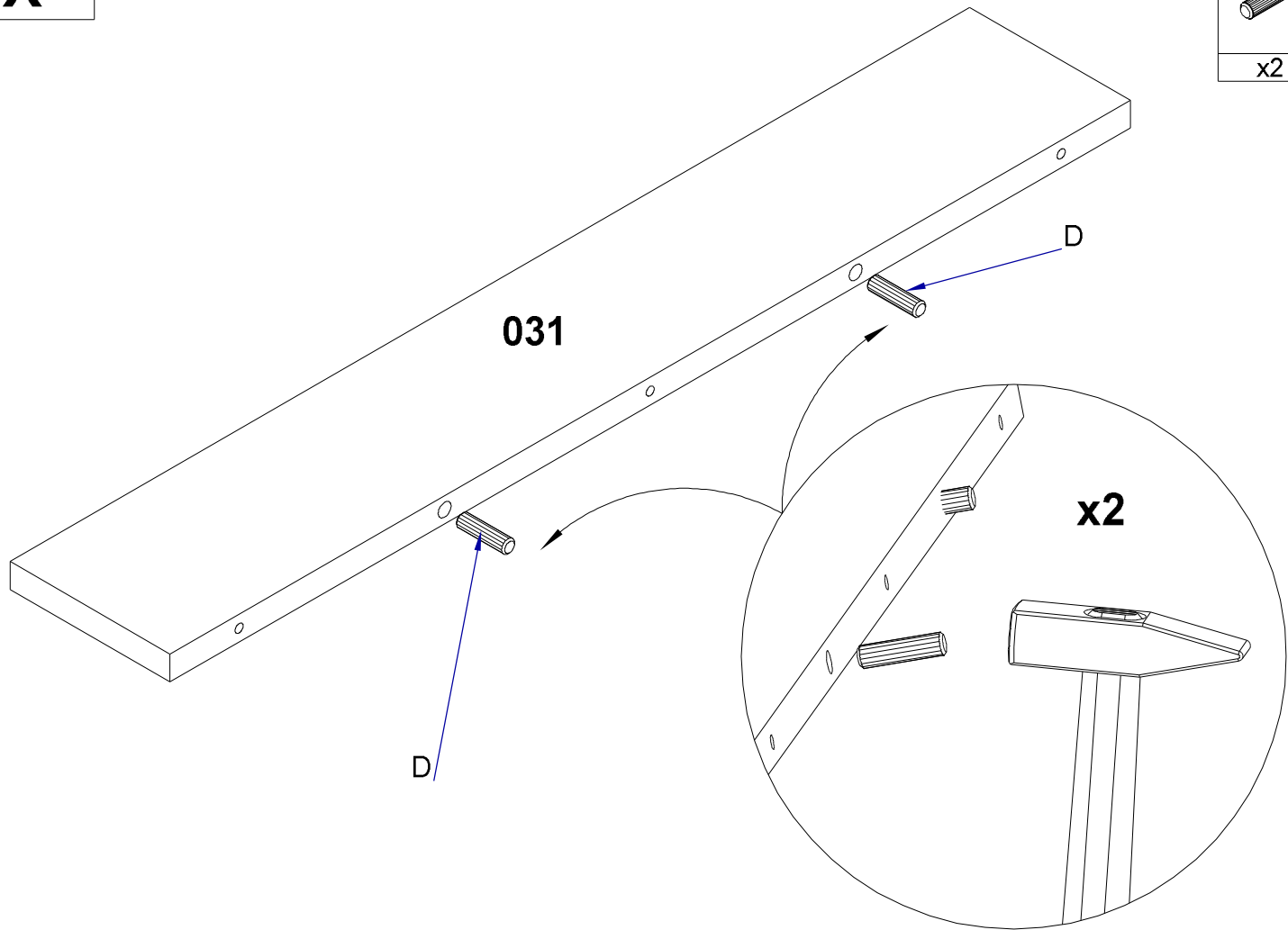
**IX**

3x13		
	H	Y1
x4		x2


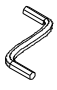




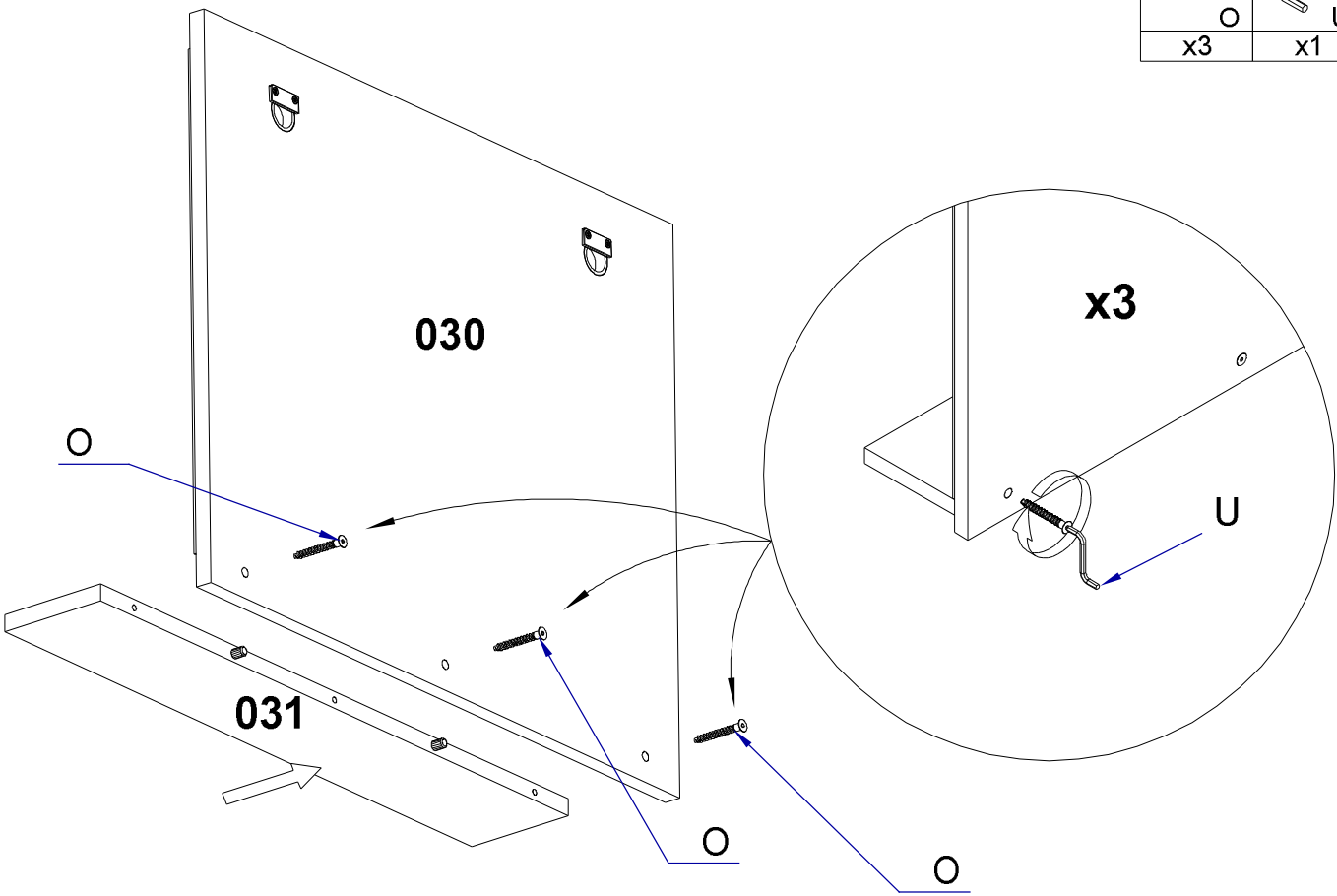
**X**

	D
x2	

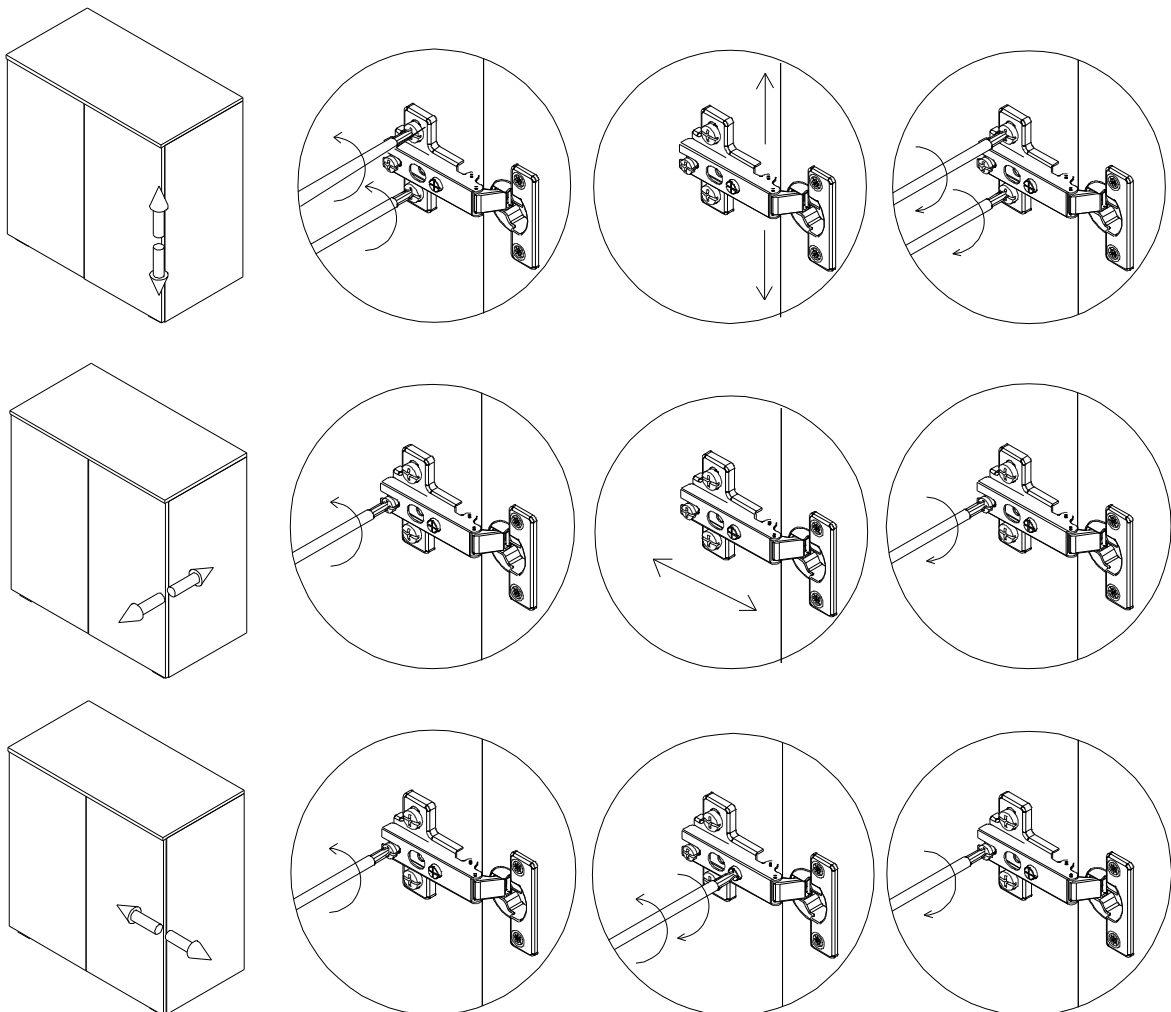


# XI

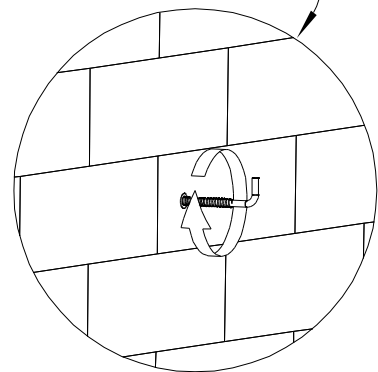
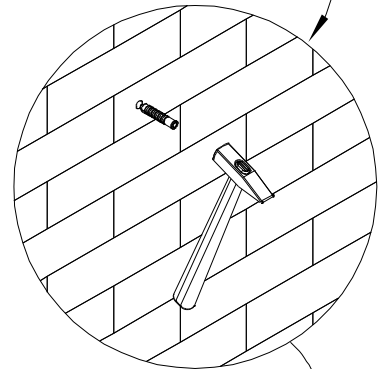
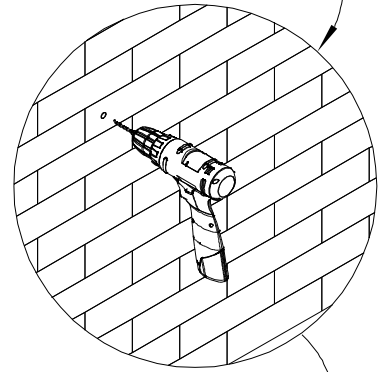
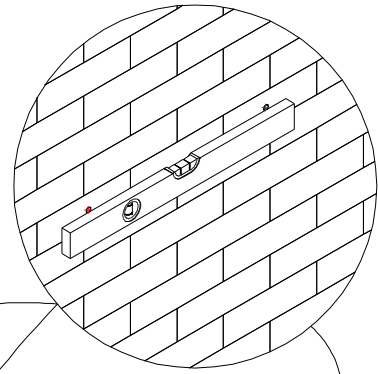
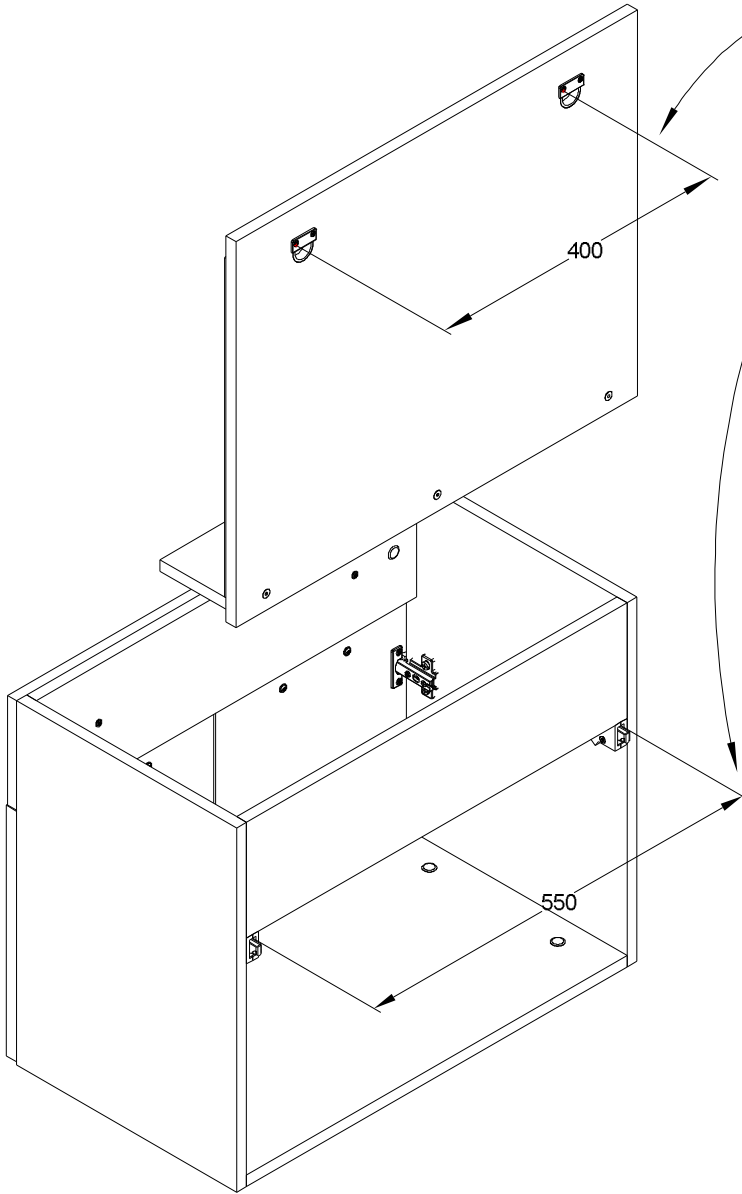
 7x50	 U
 x3	 x1



# XII

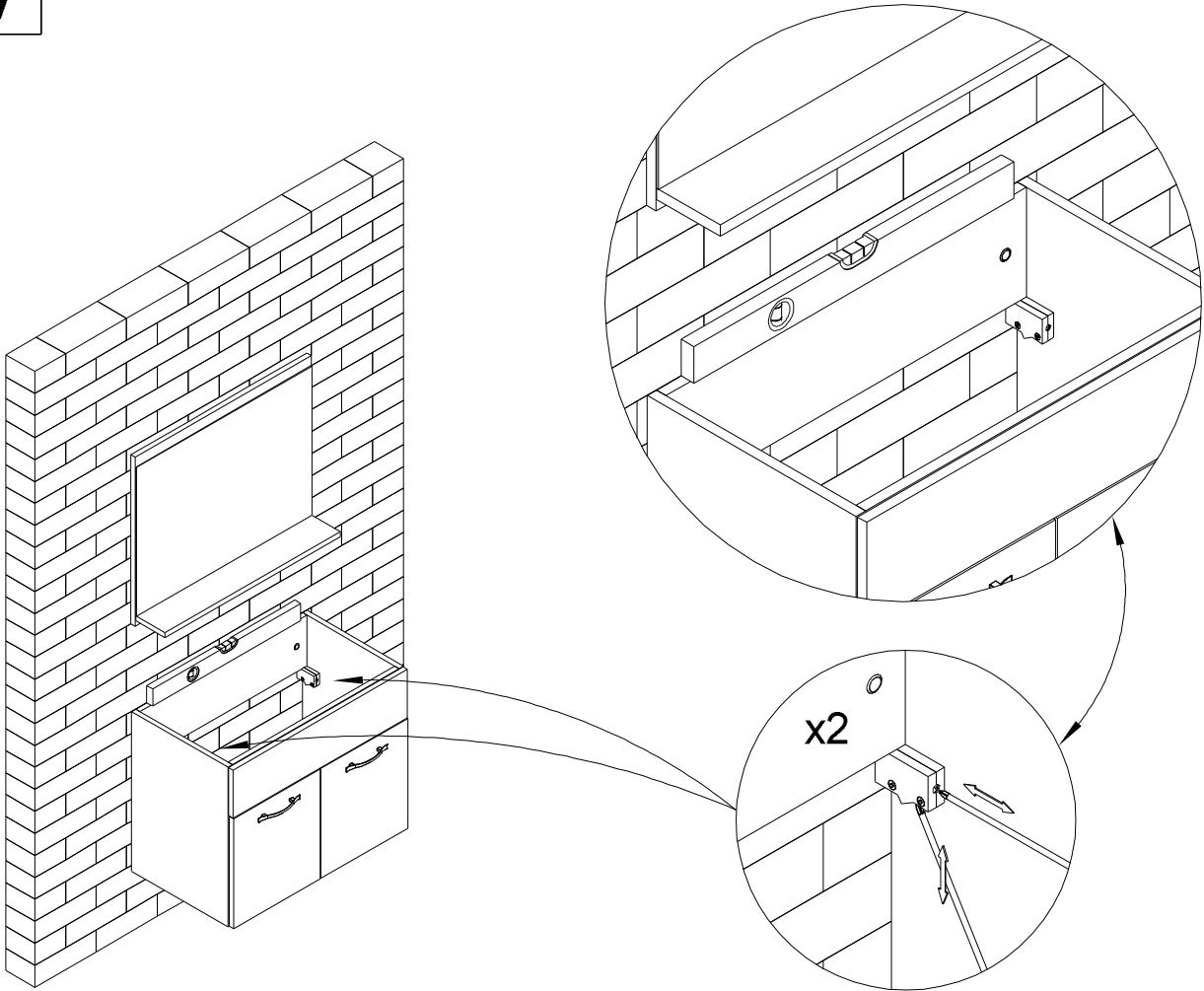


Ø10

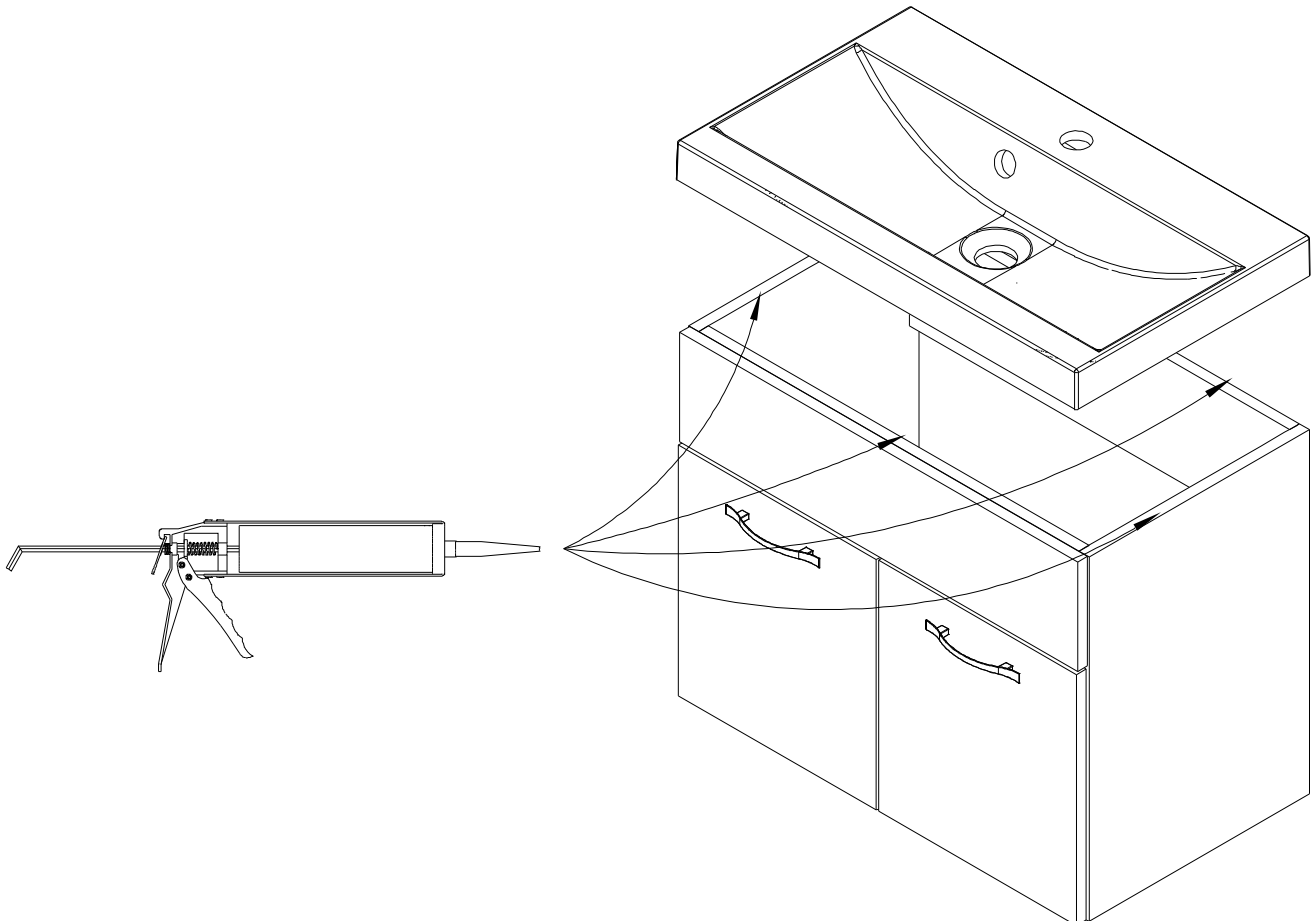




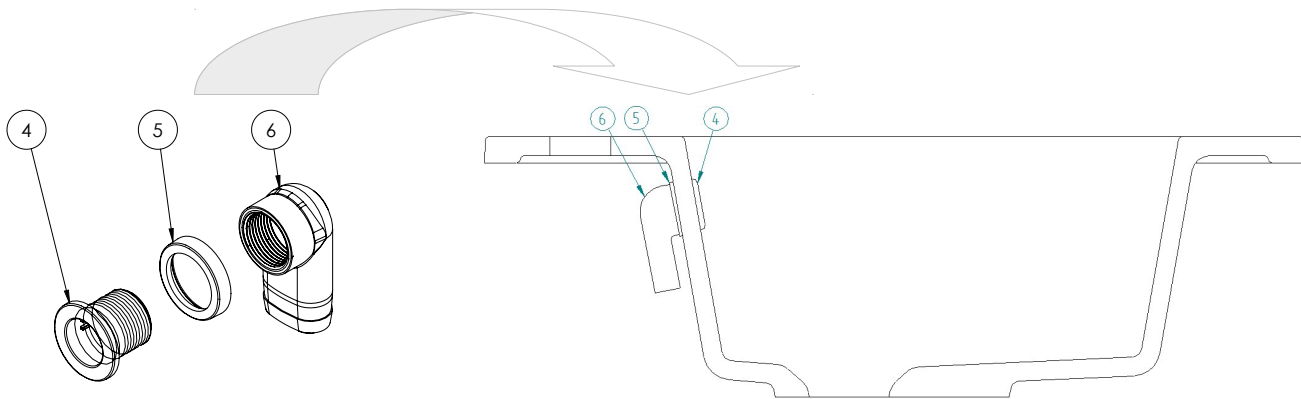
**XIV**



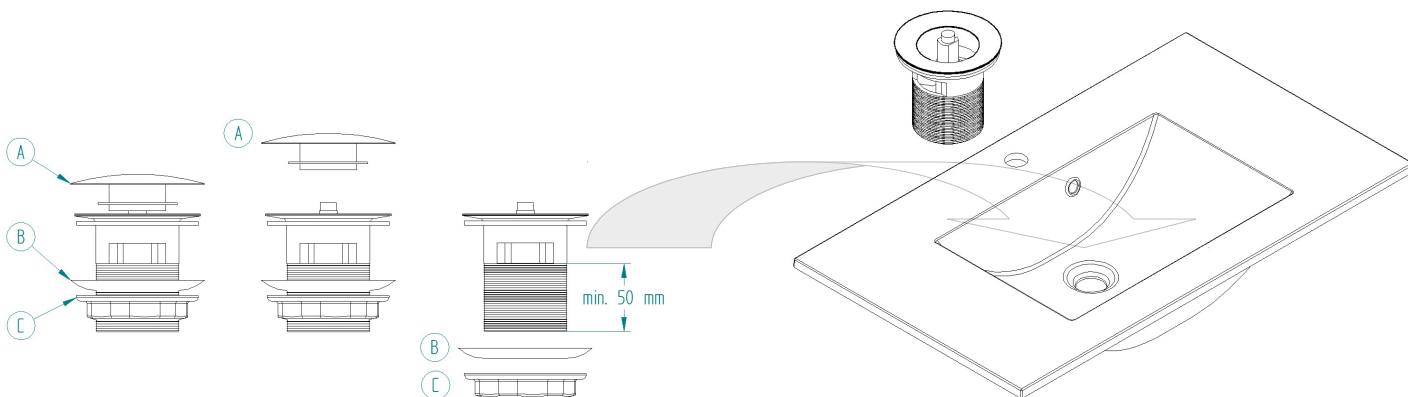
**XV**



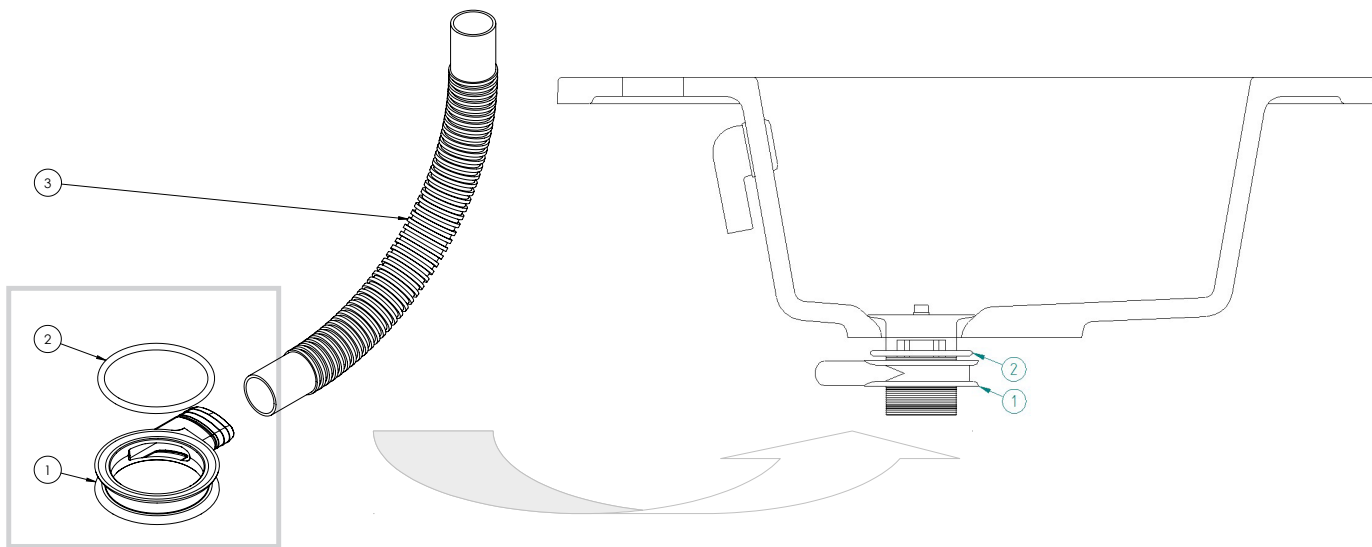
1



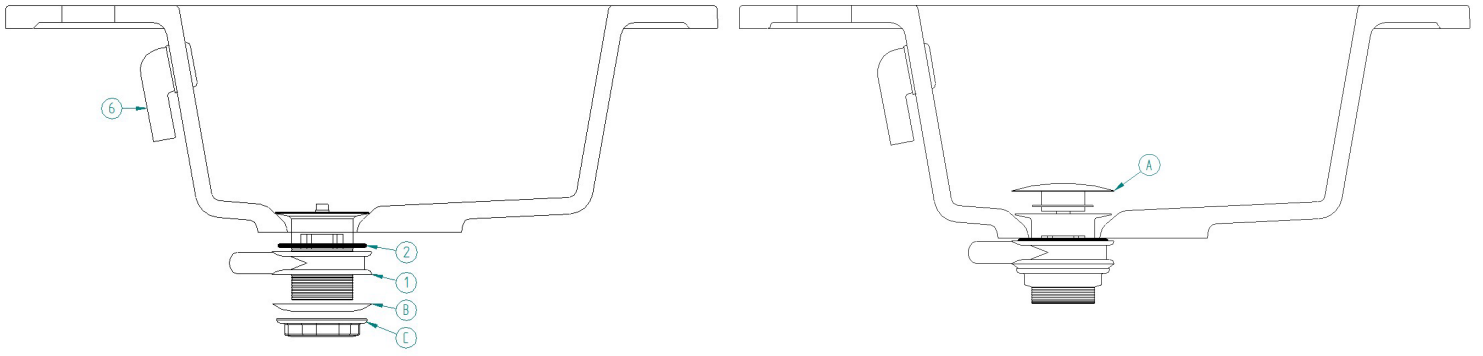
2



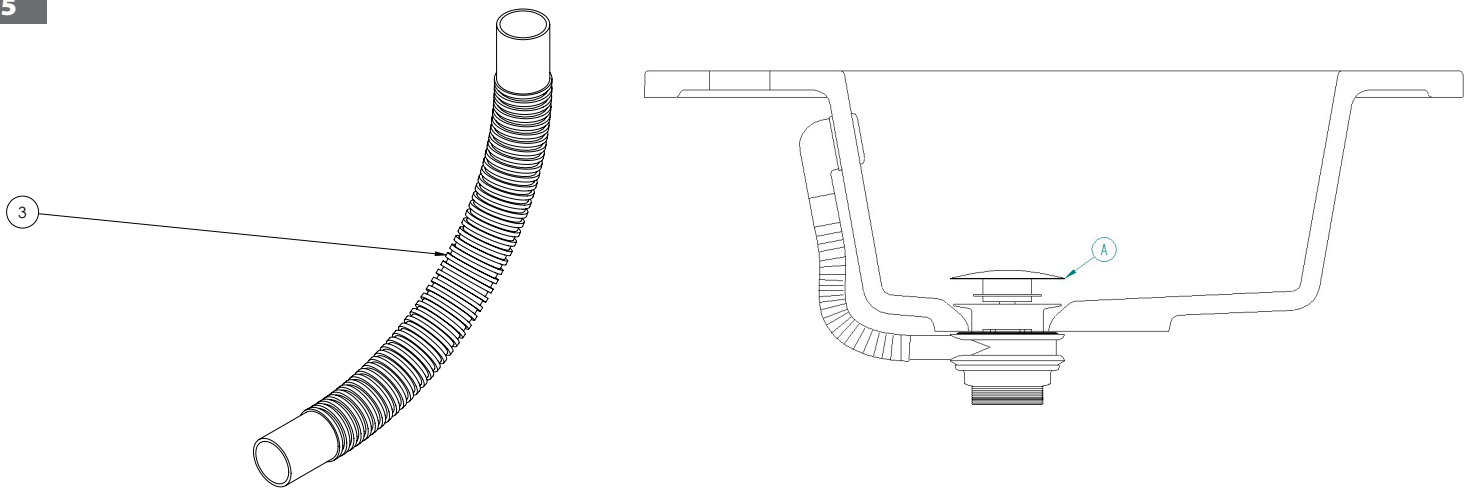
3



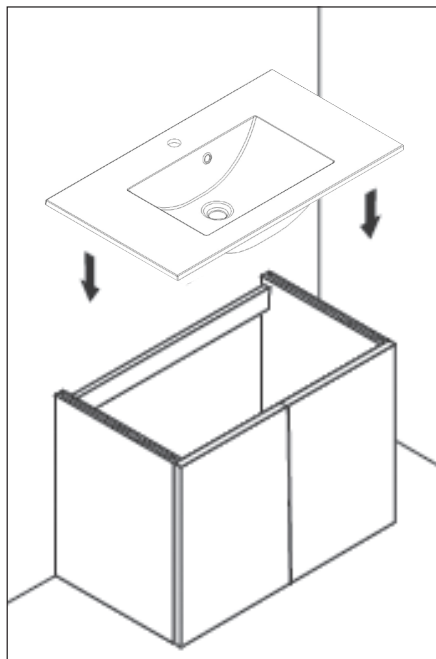
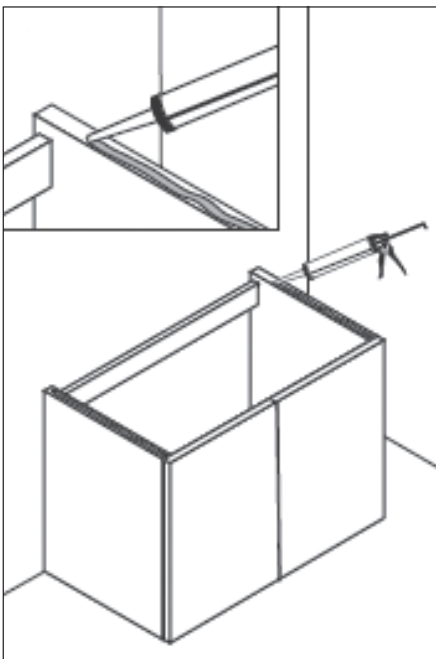
4



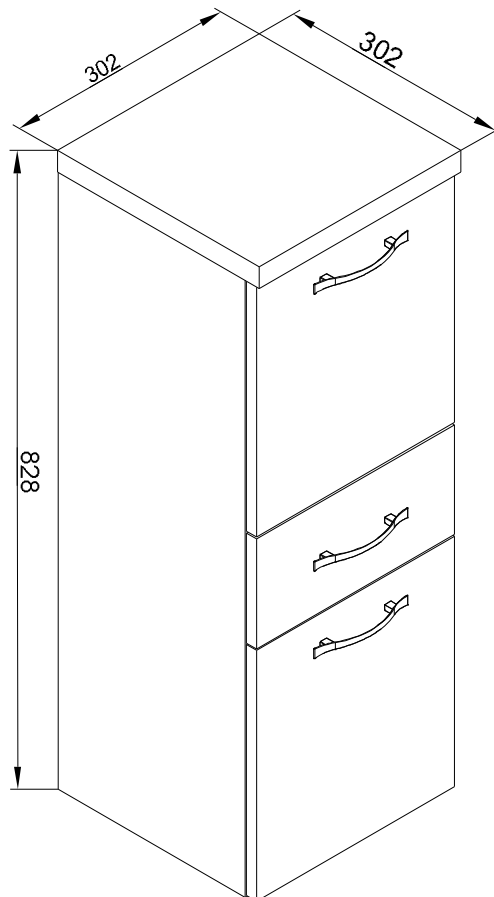
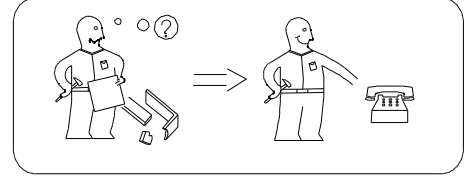
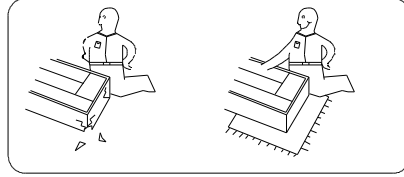
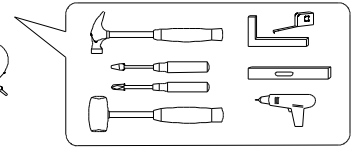
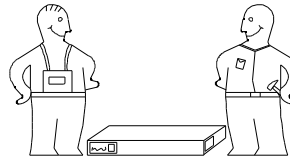
5






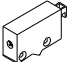

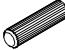


6



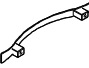


# 014



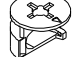
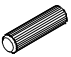

# I

6x11 				4x30 			
F1	J	R	G	H1	D	B	A
x12	x6	x1	x2	x4	x4	x2	x2




# II-III

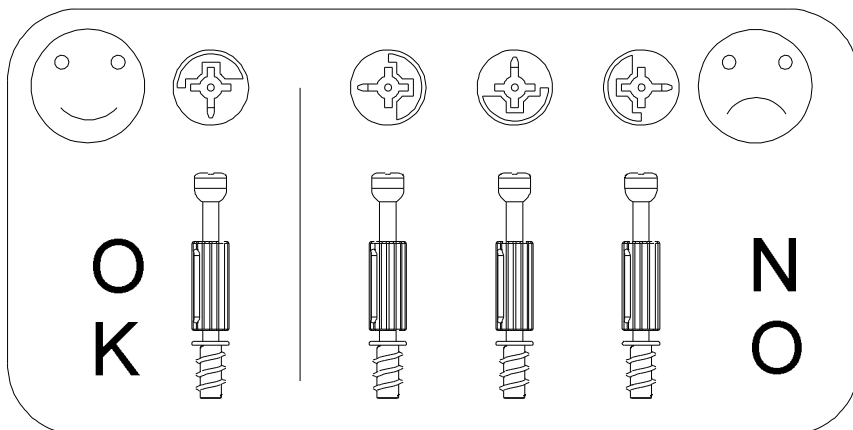
	M4x20 	
F3	E1	D
x3	x6	16

# IV-VIII

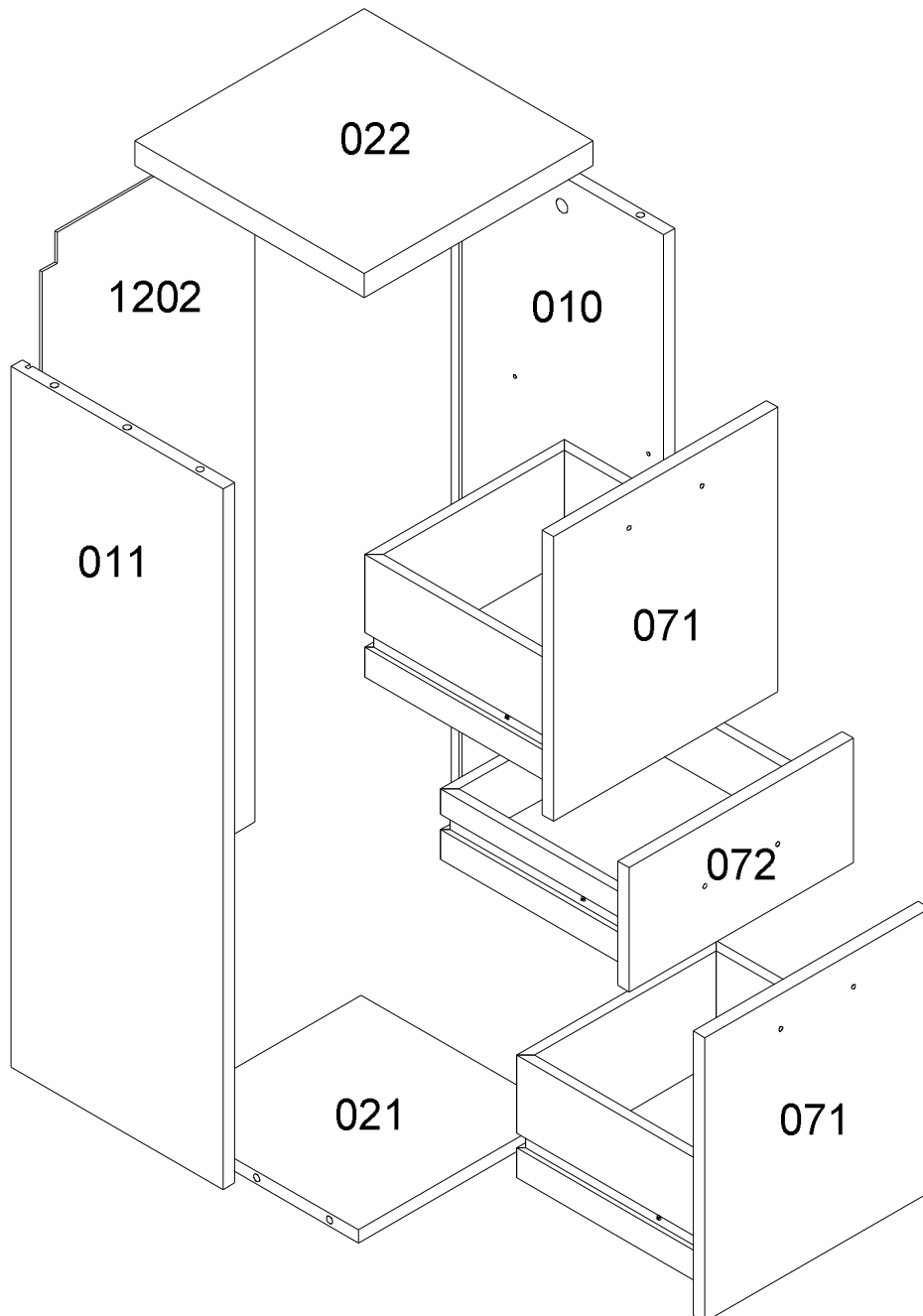
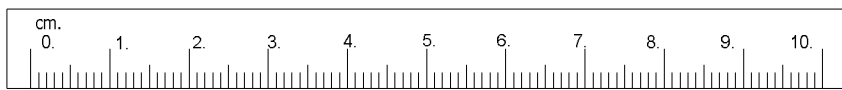
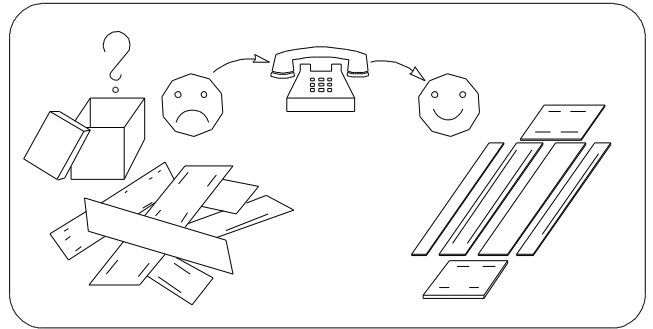
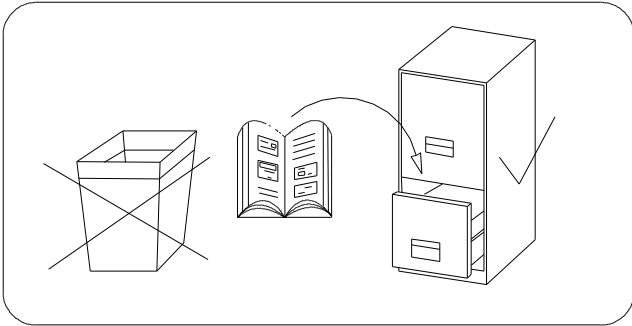
		
B	D	A
x2	x4	x2

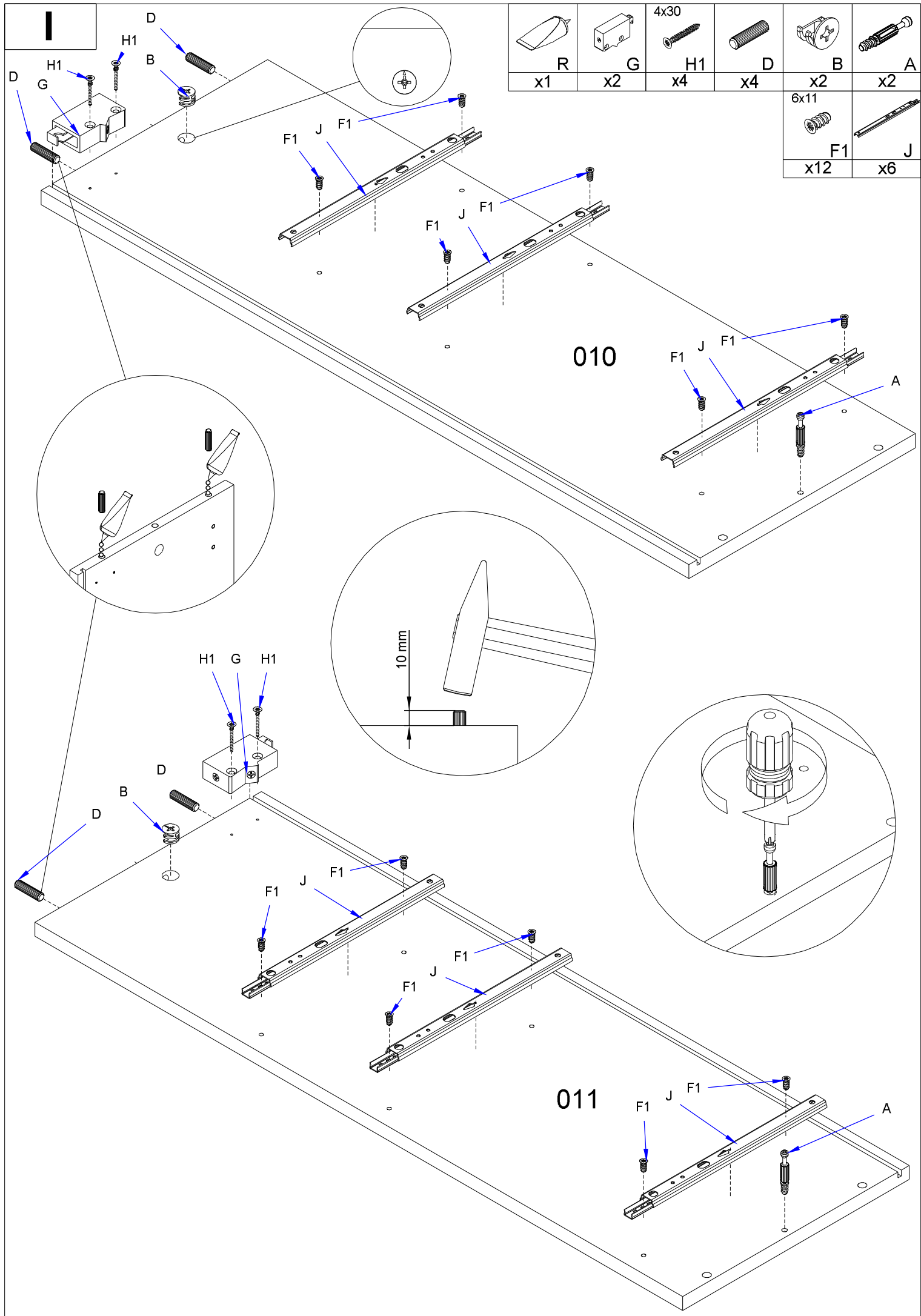
# IX-XI

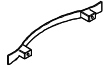

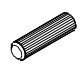
M4x8 		Ø10x50g 
E	I	KR
x6	x4	x2

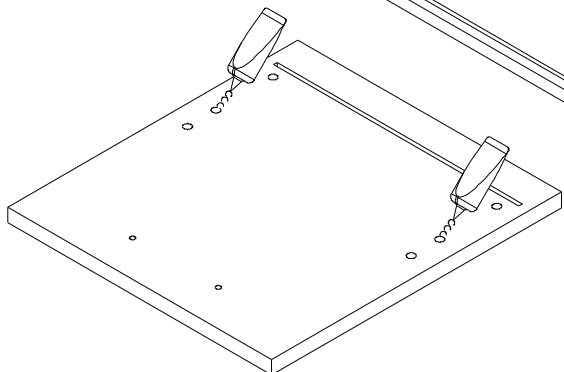
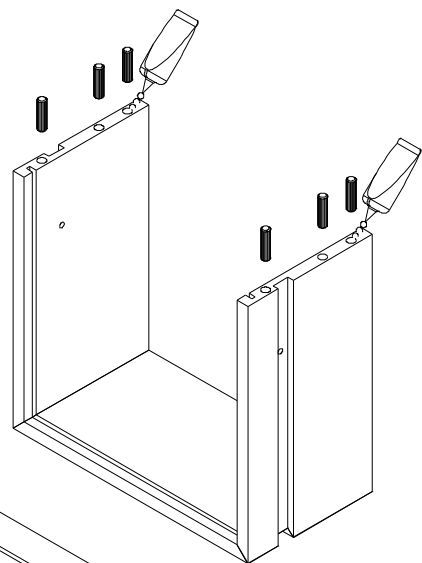
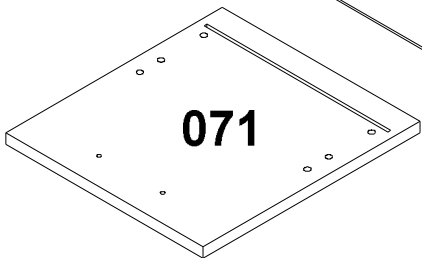
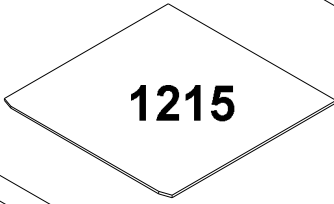
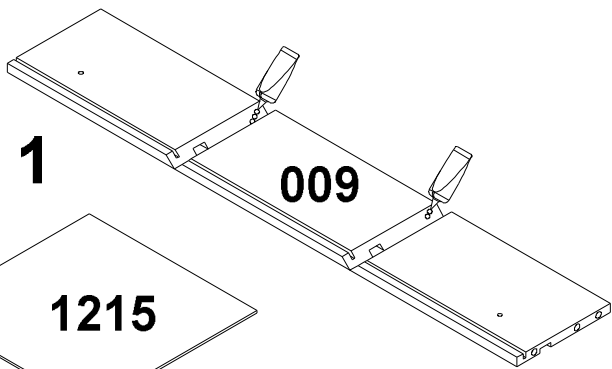


# 014

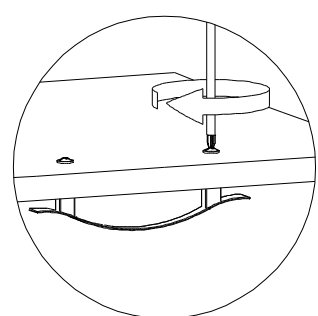
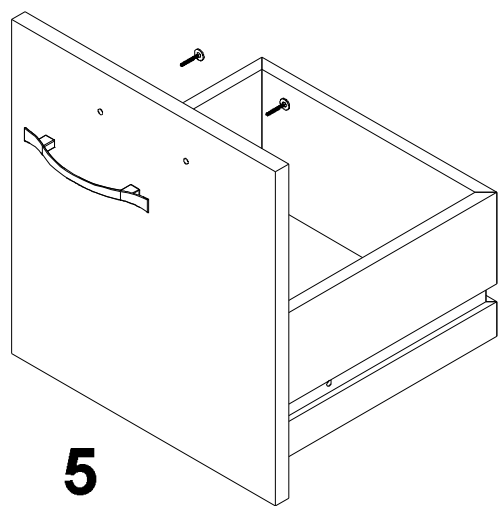
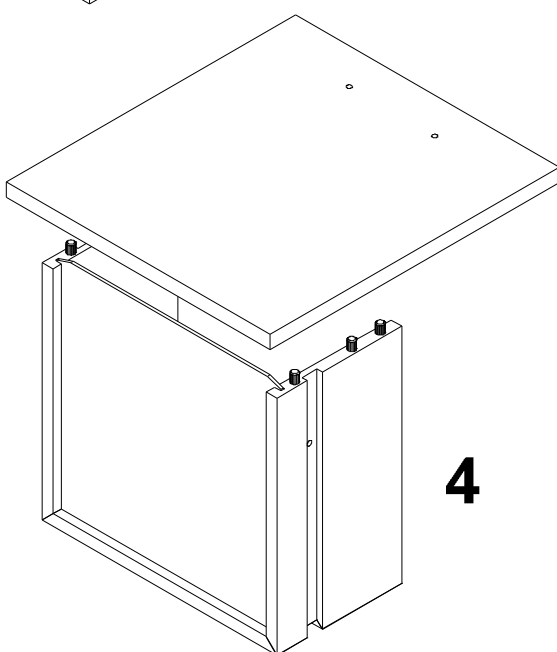
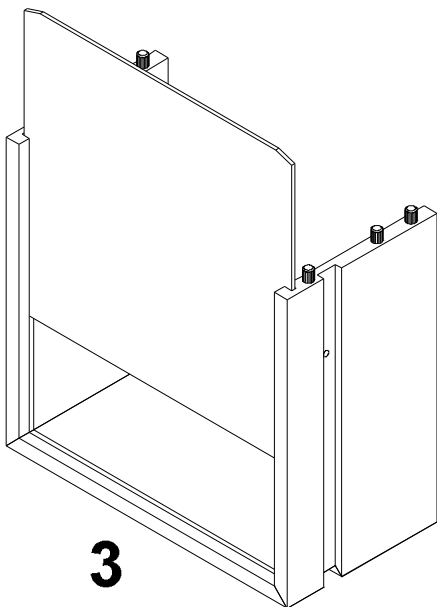




	M4x20		
F3		E1	D
x2		x4	x12

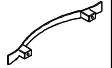

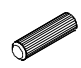


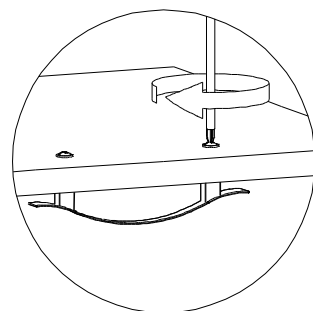
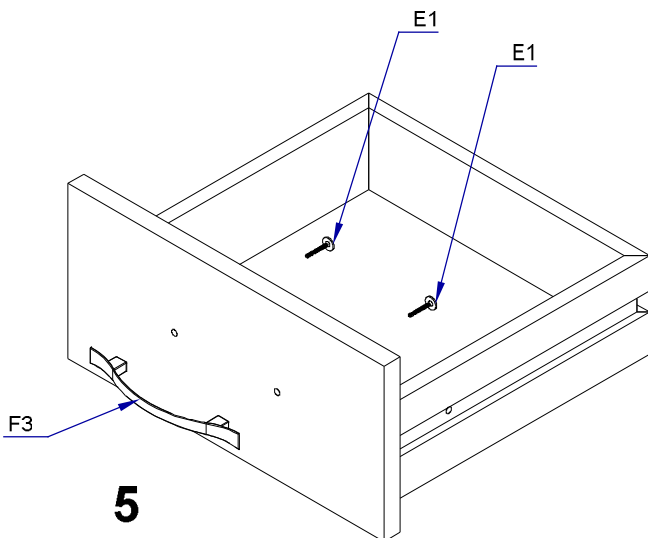
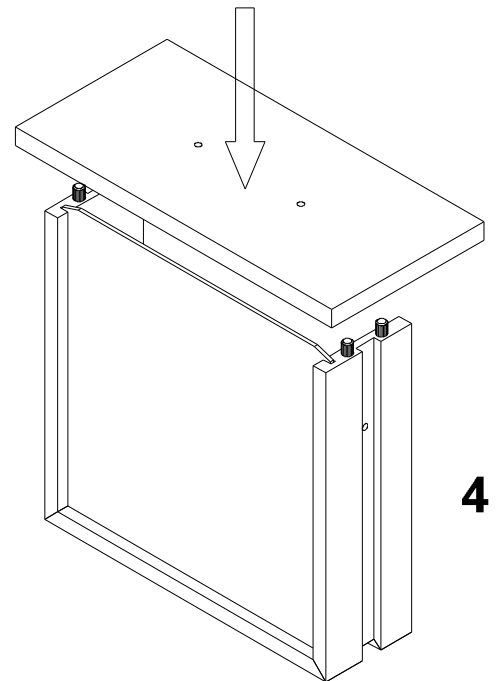
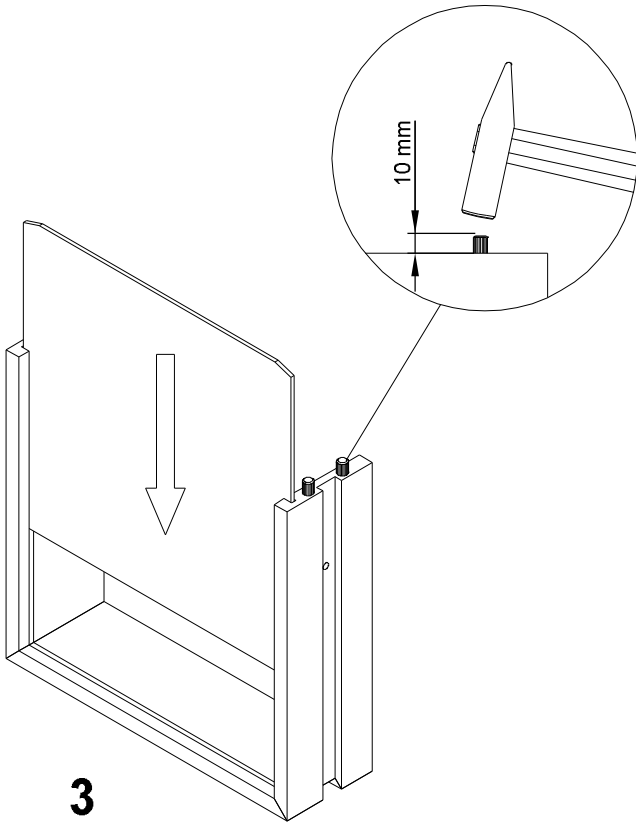
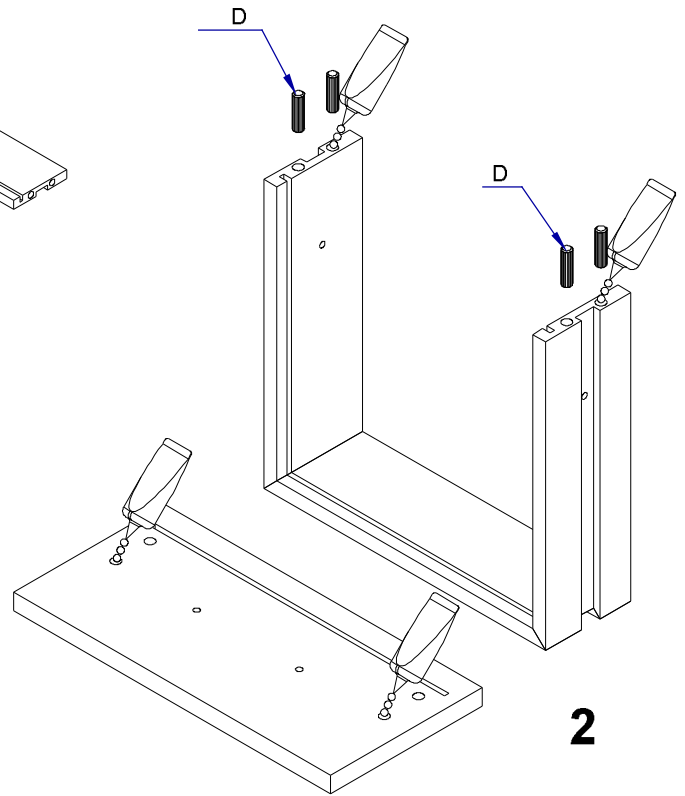
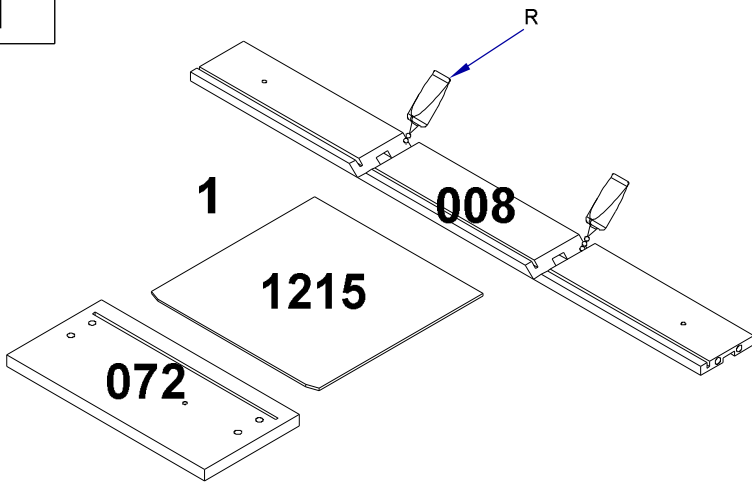
X2



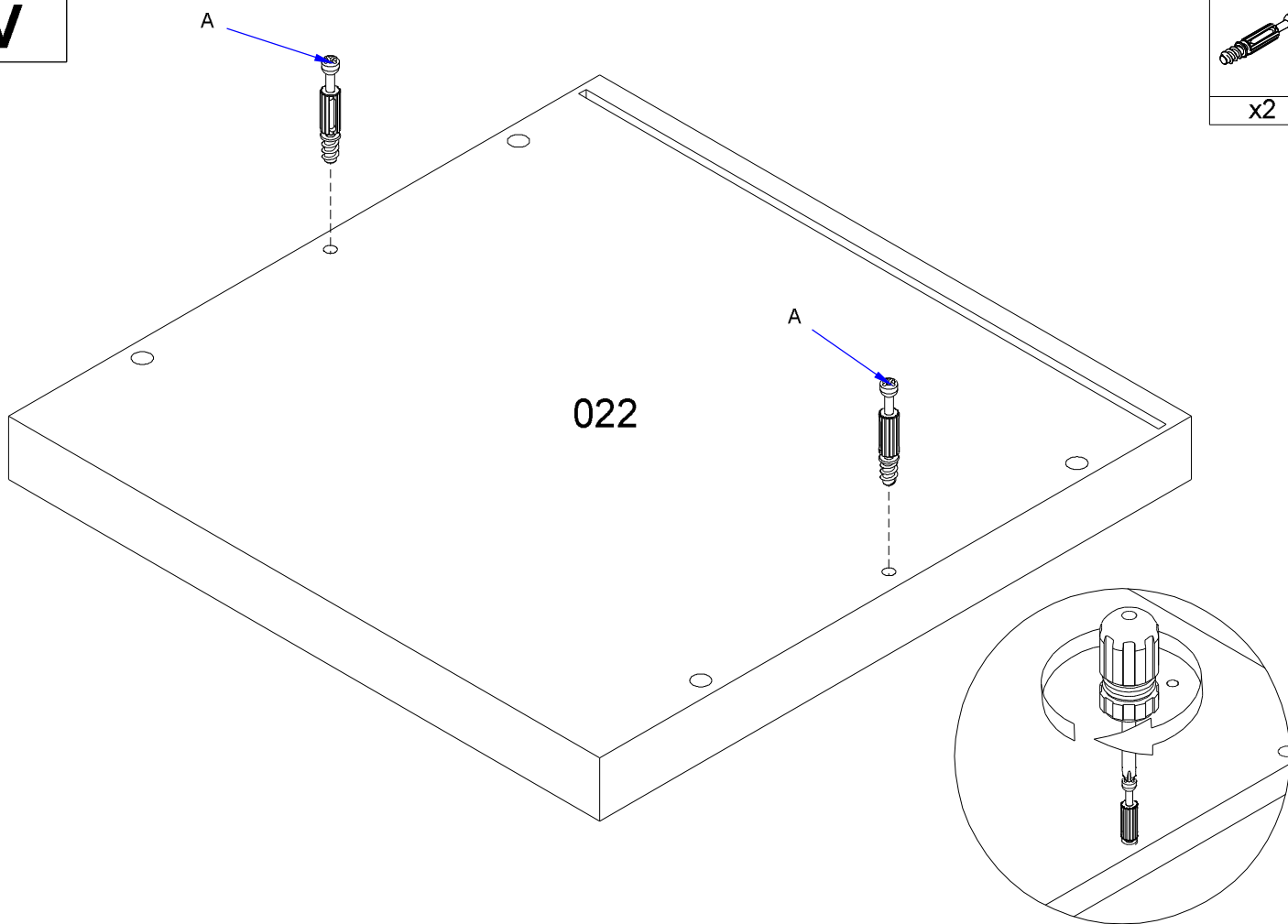




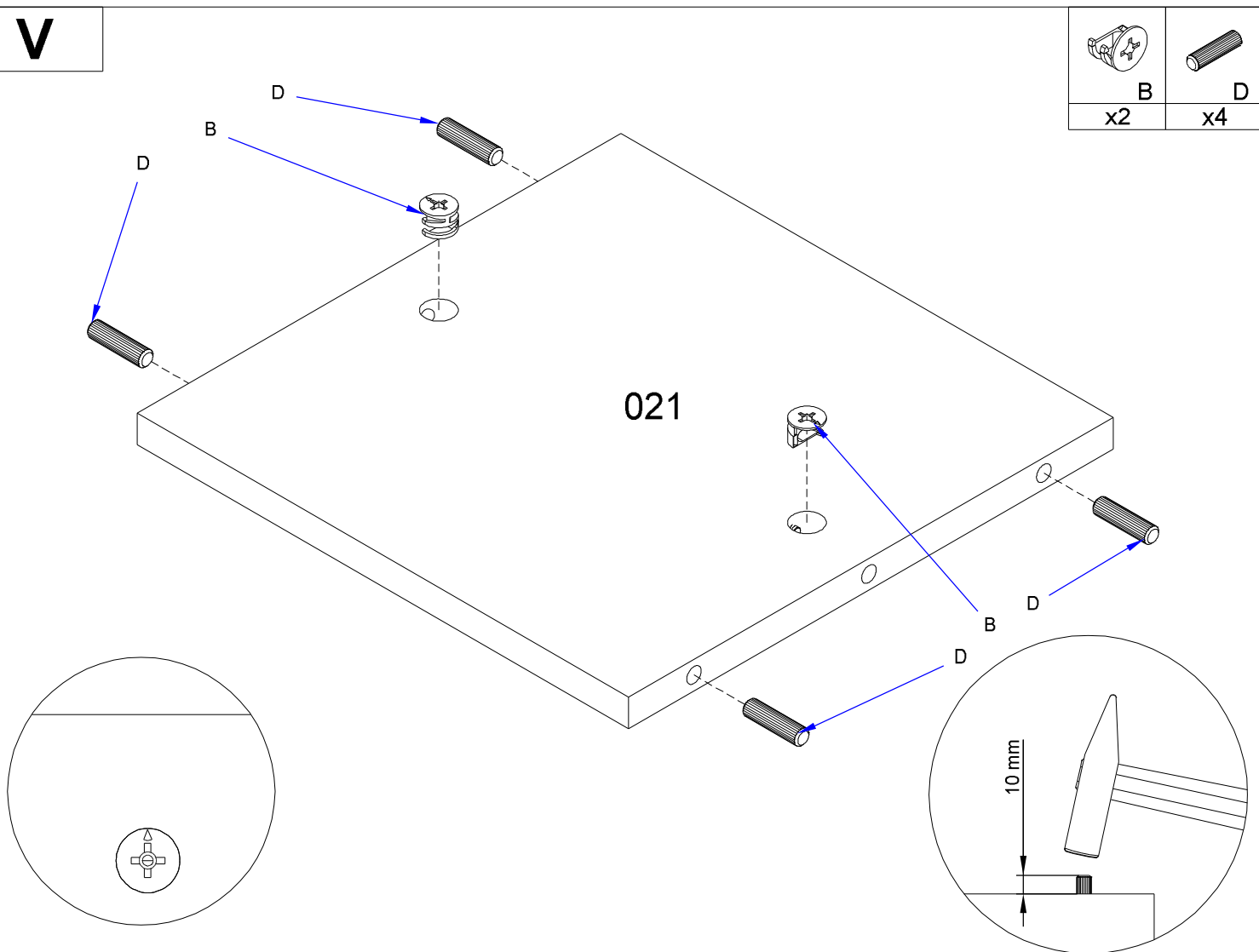
		
F3	E1	D
x1	x2	x4



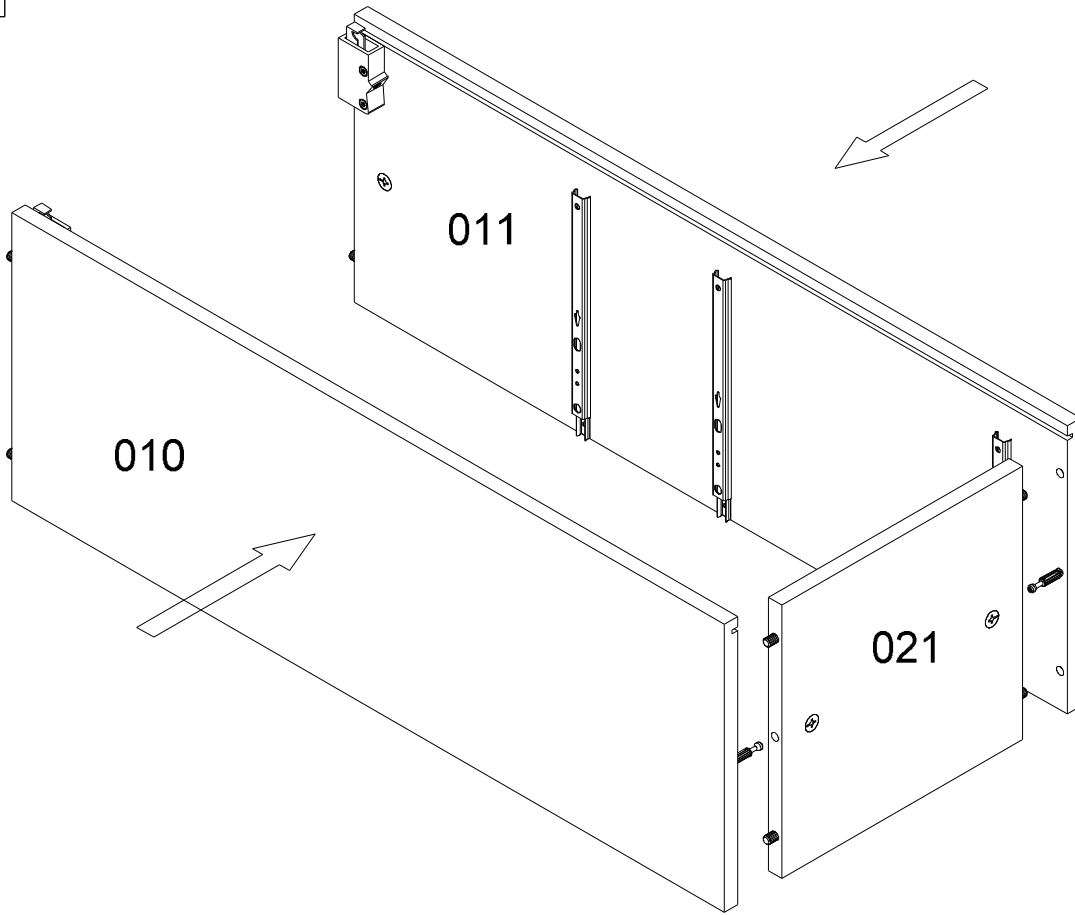
**IV**



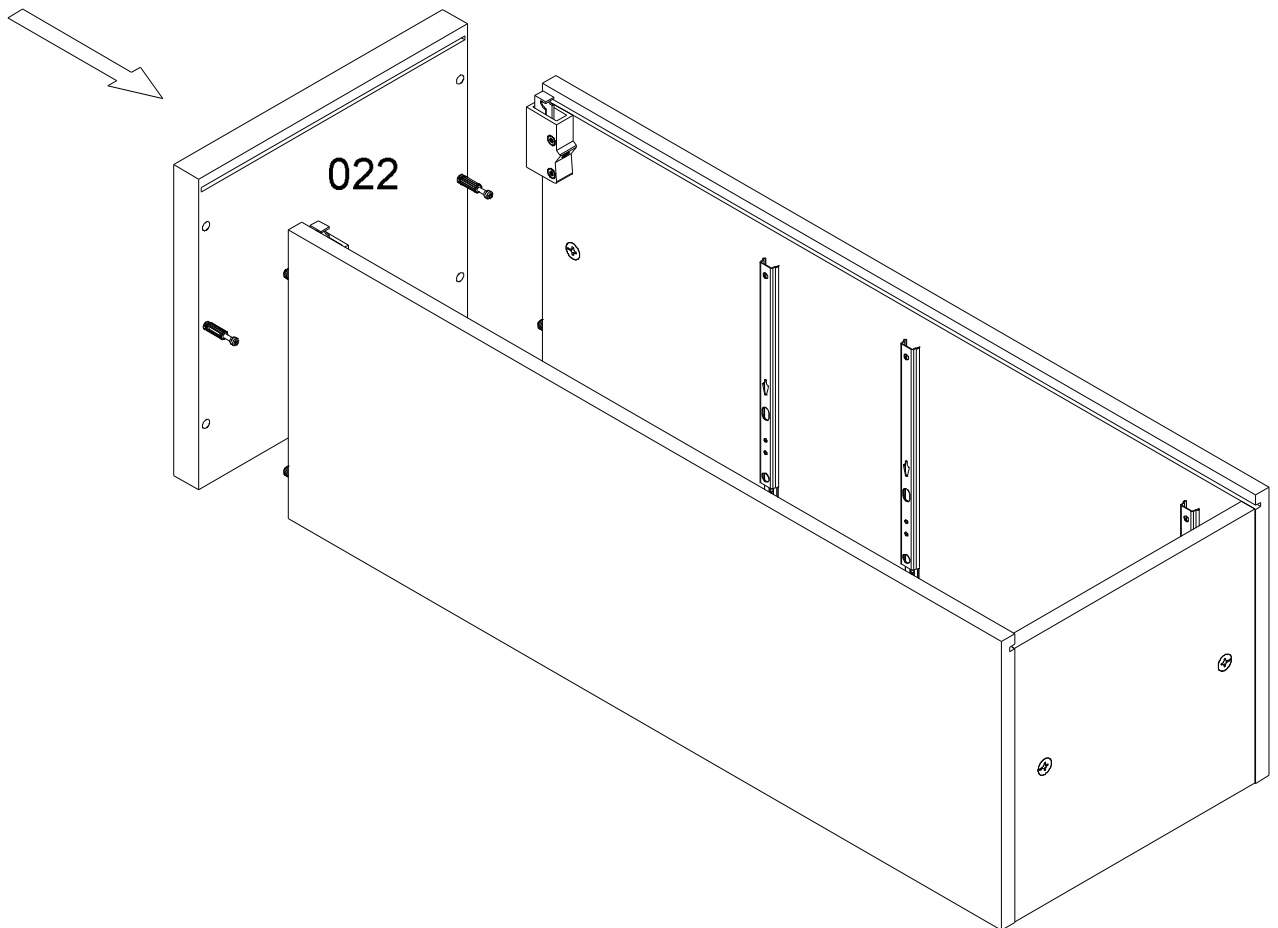
**V**



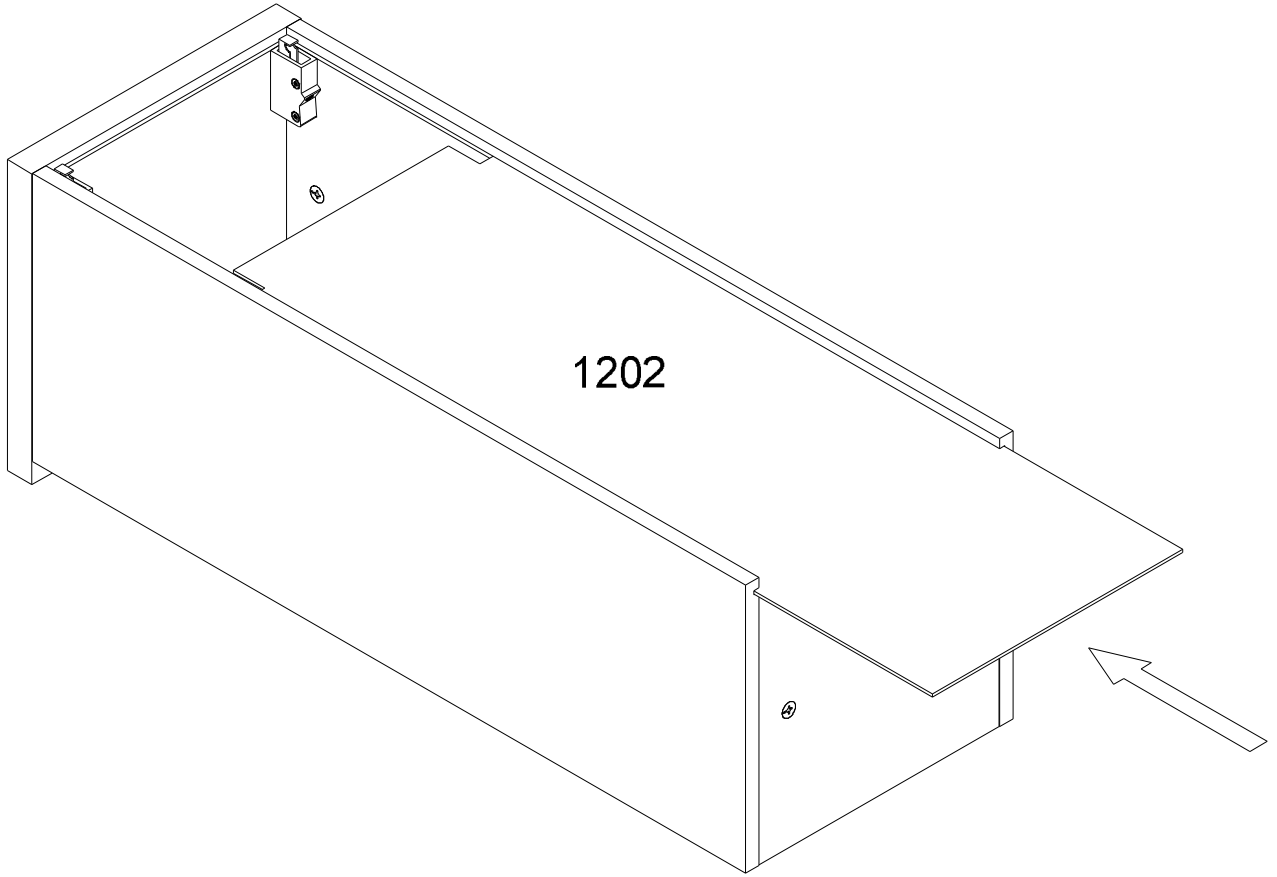
**VI**



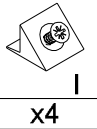
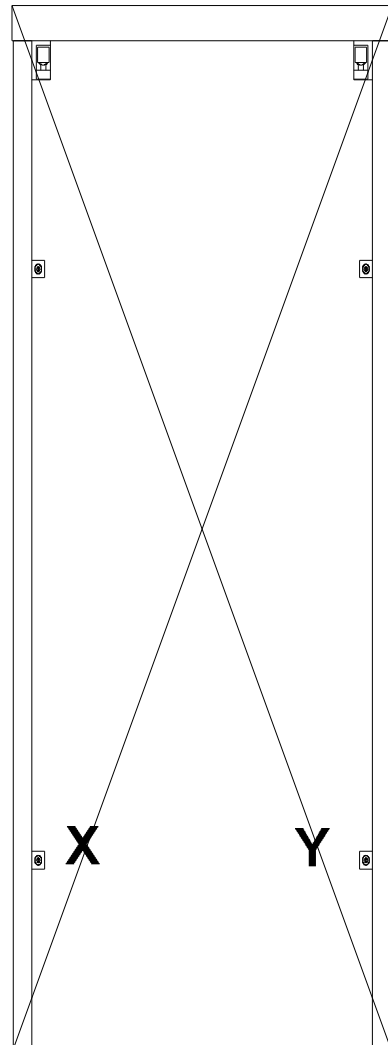
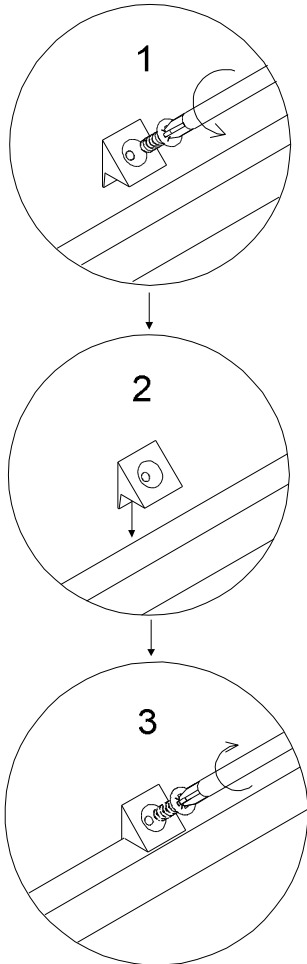
**VII**



# VIII



# IX



x4

X=Y

**X**

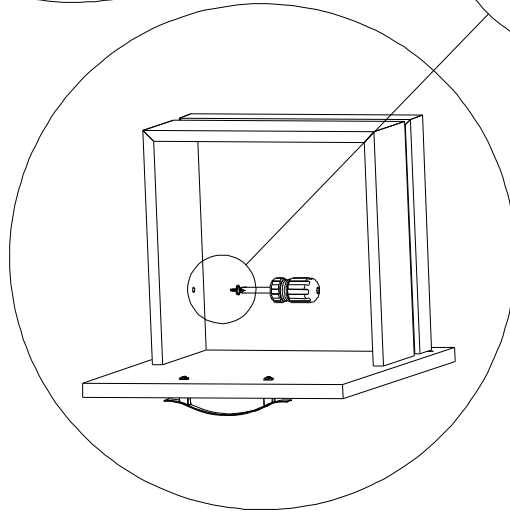
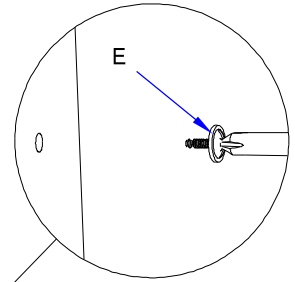
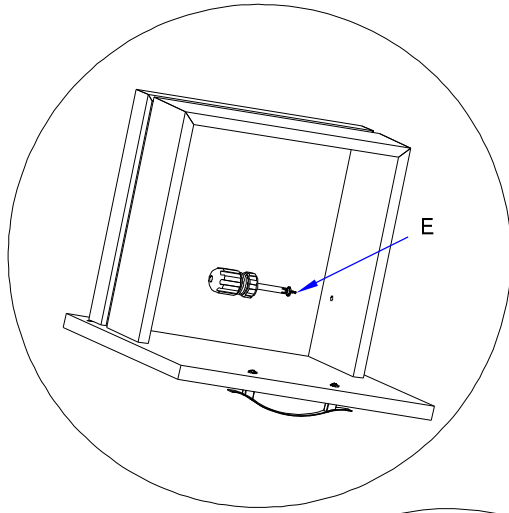
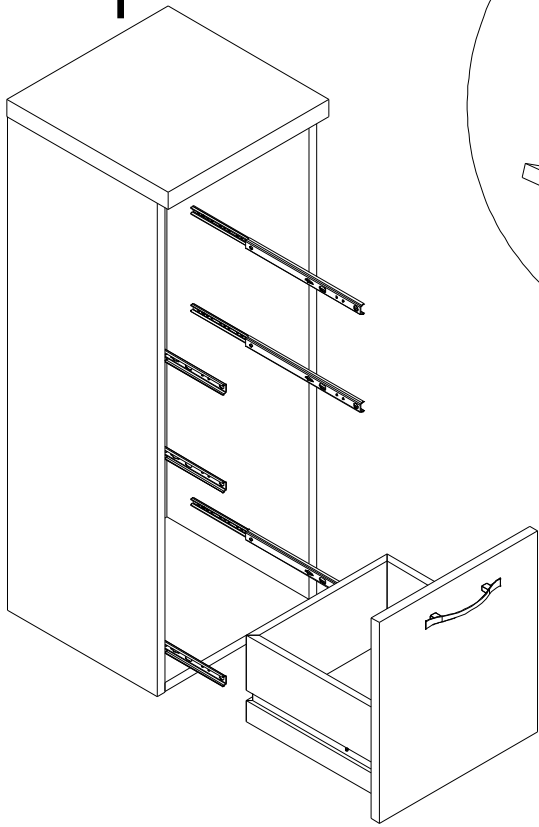
M4x8



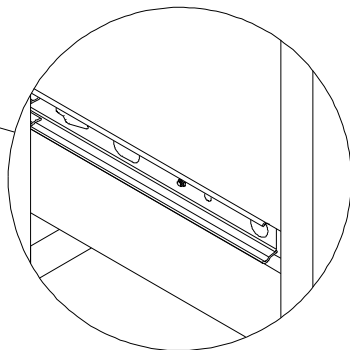
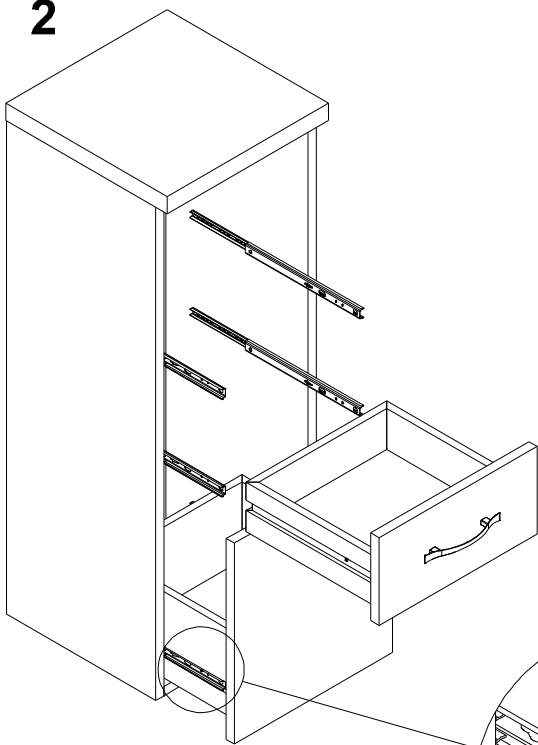
E

x6

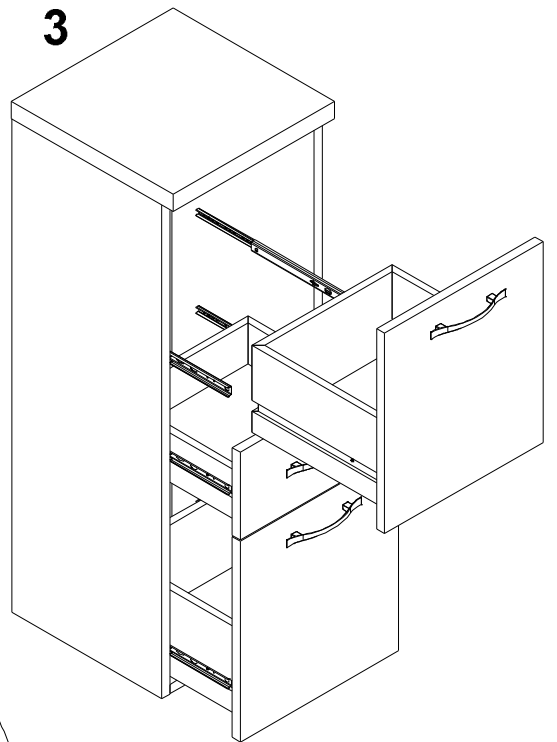
**1**



**2**



**3**



XI

Ø10x50



KR

x2

