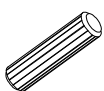
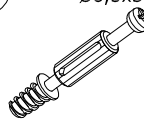
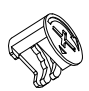
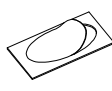


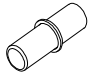


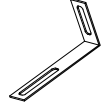

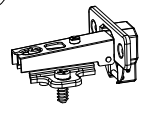
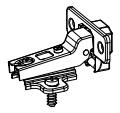



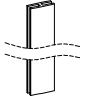
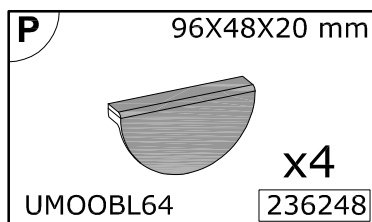
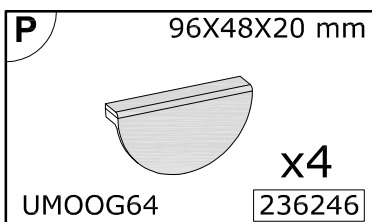
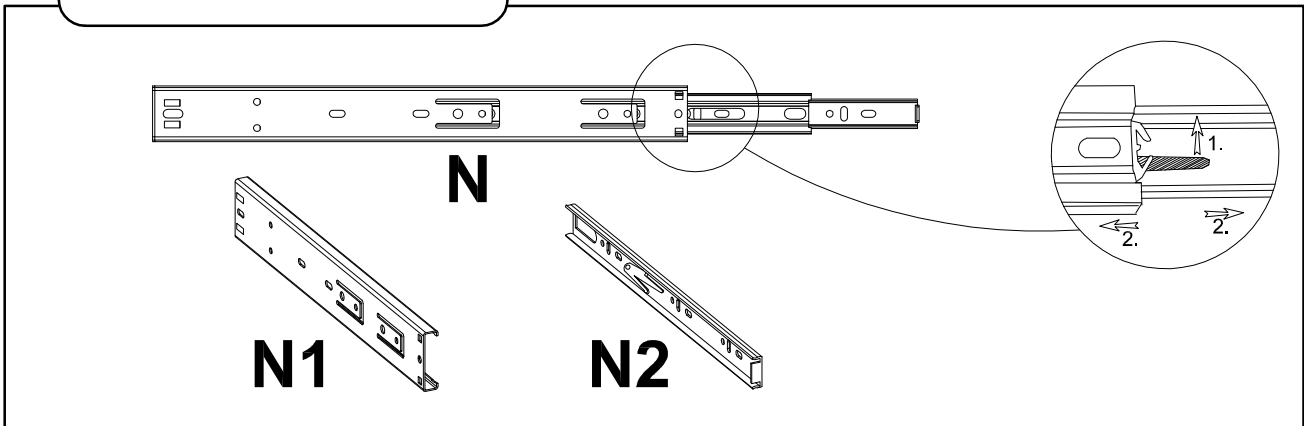
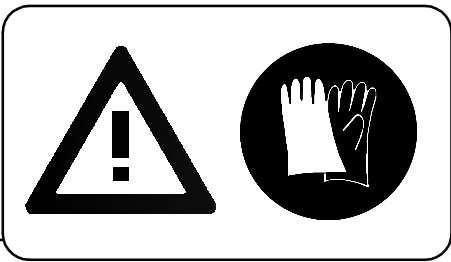
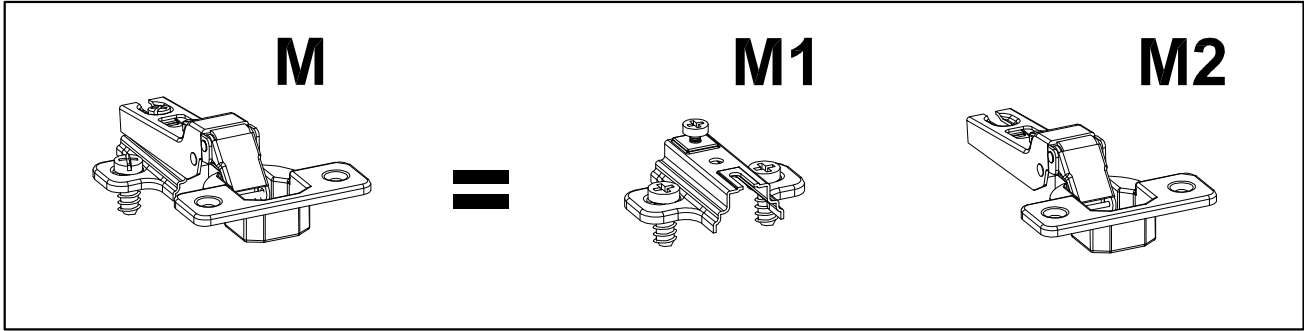
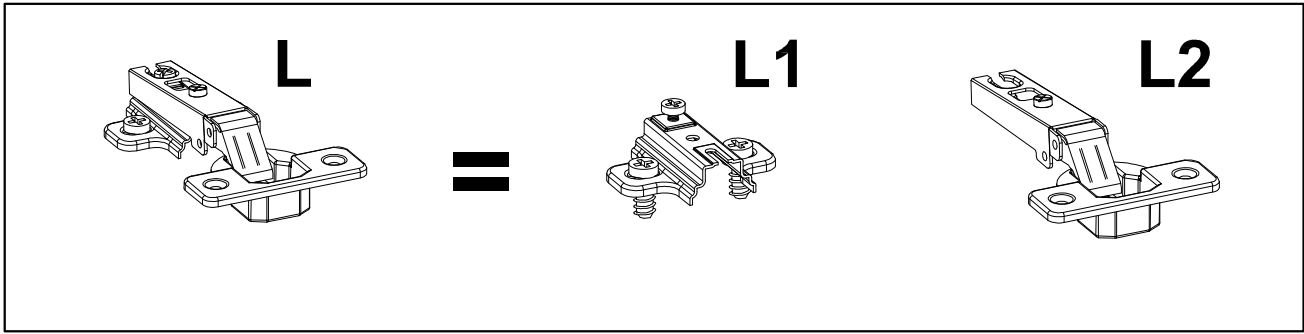
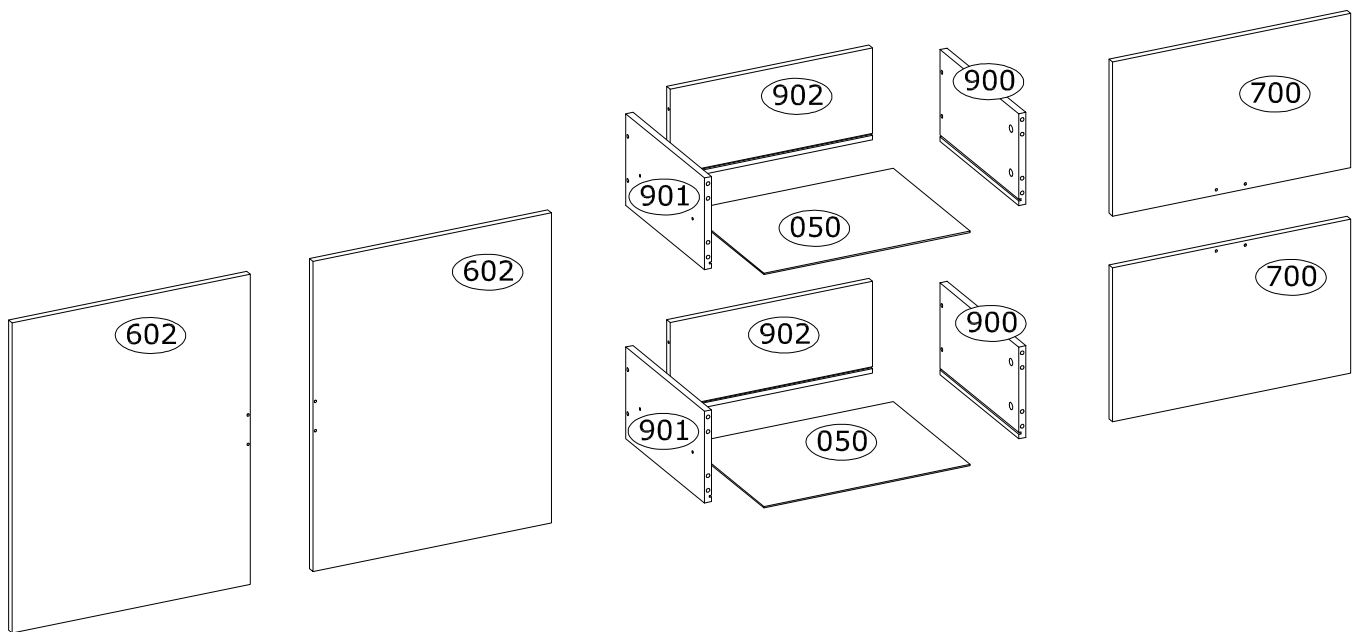
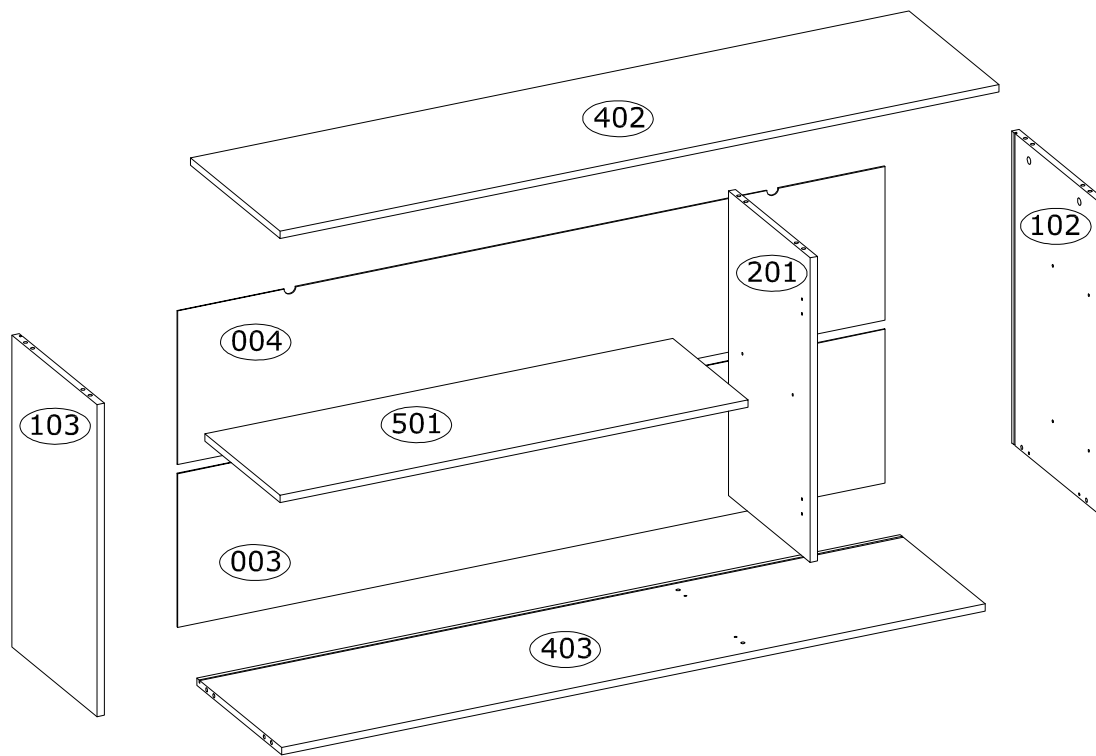


A Ø8x30 mm  x20 3989	B Ø6,5x36,5 mm  x20 4066	C Ø15x12 mm  x20 3996	D Ø20 mm  x10 136239	E 15x14x11 mm  x14 4044
F Ø3,5x16 mm  x52 3918	G Ø5x16 mm  x4 4017	H Ø6,4x50mm  x8 3884	I 4 mm  x1 3984	J 75x15x32 mm  x2 71900
K Ø3,0x25 mm  x6 3887	L Ø35 mm , KR0  x2 IN01640	M Ø35 mm , KR8  x2 67350	N L- 350 mm  x2 88157	O Ø20, H-180  x5 232943
P 96X48X20 mm  x4 236246 236248	R L- 1563 mm  x1 IN00379			

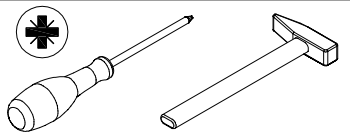
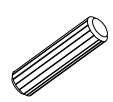



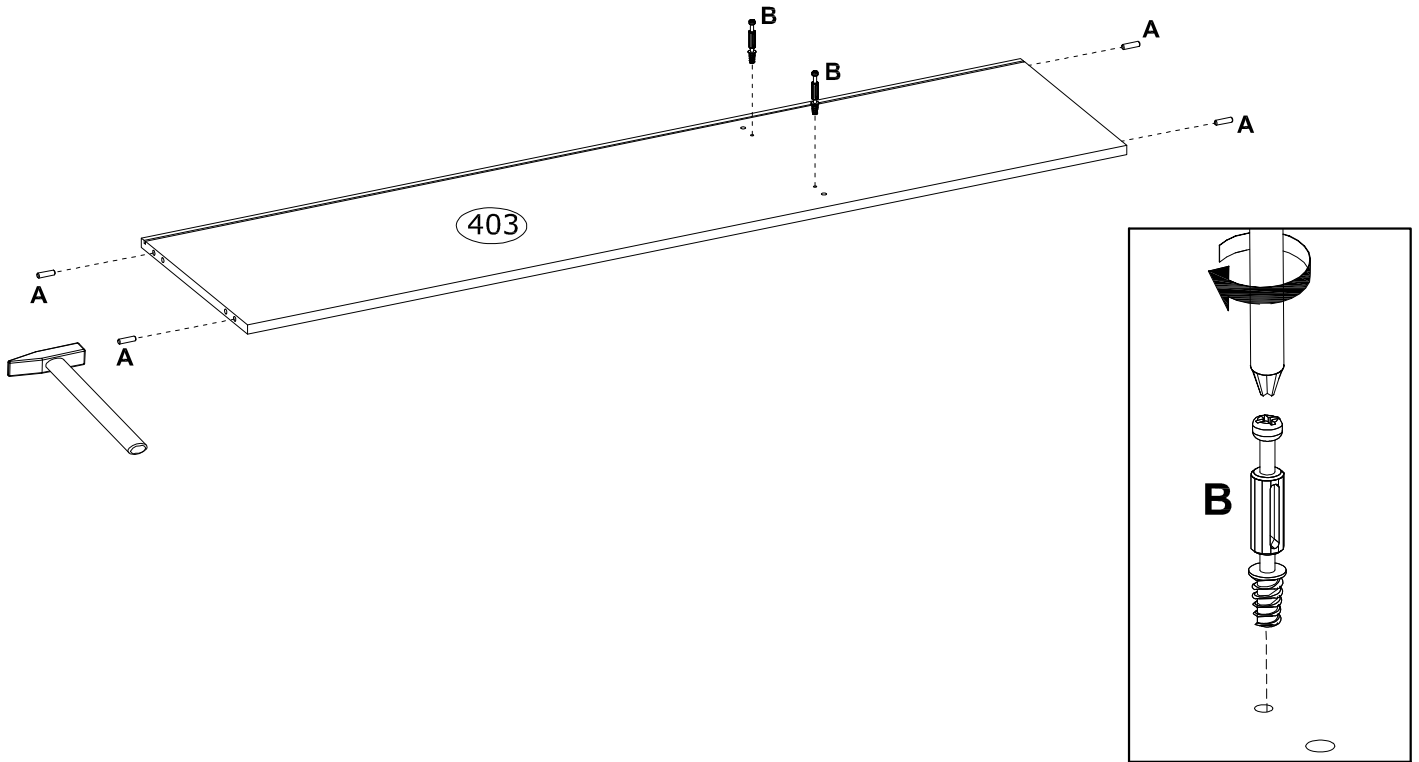
0
10
20
30
40
50
60
70
80
90
100
110
120
130
140
150
160
170
180
190
200



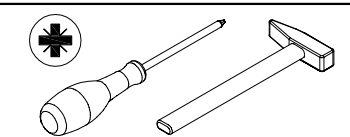

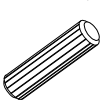
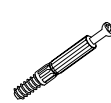
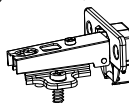


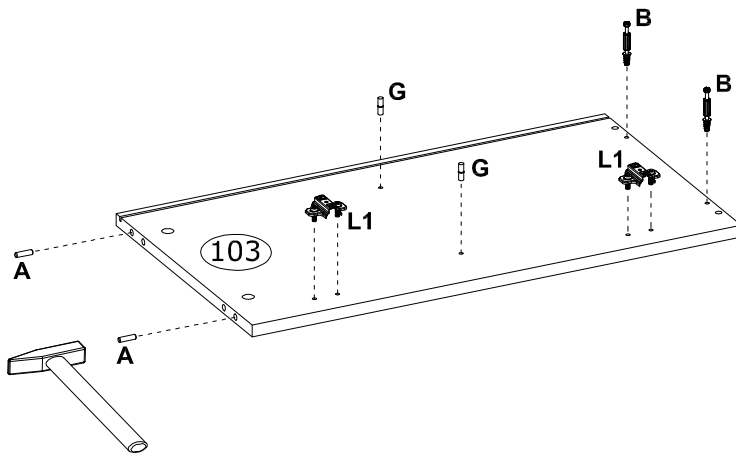
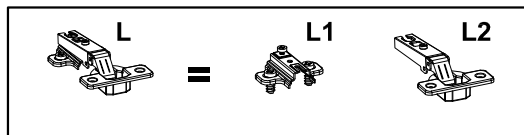
1

A	Ø8x30 mm	B	Ø6,5x36,5 mm	
	x4 3989		x2 4066	



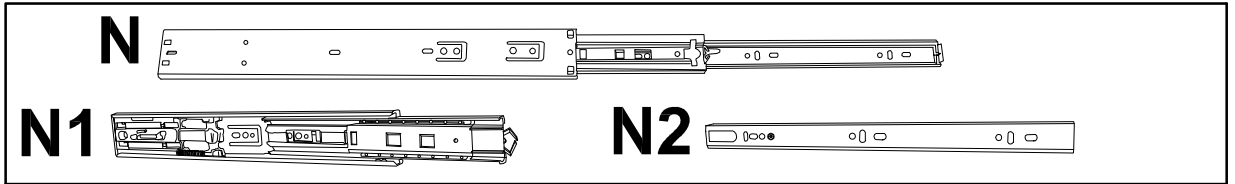
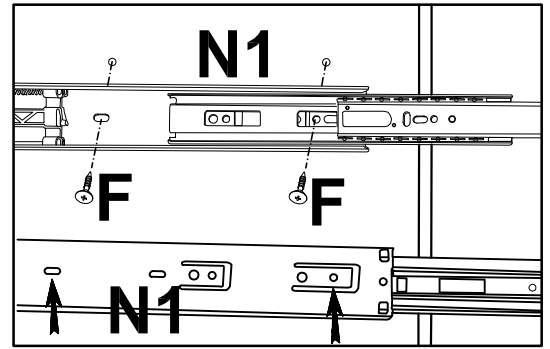
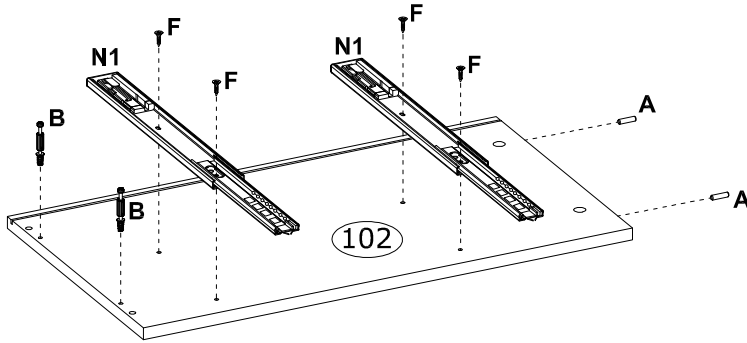
2

G	Ø5x16 mm	A	Ø8x30 mm	B	Ø6,5x36,5 mm	L	Ø35 mm , KR0	
	x2 4017		x2 3989		x2 4066		x2 IN01640	



3

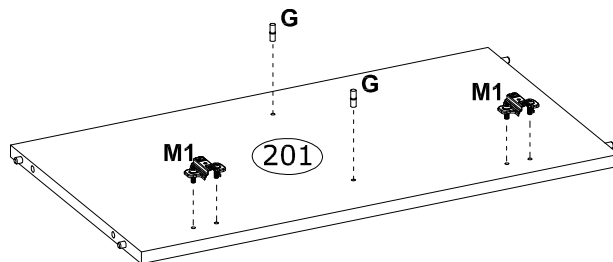
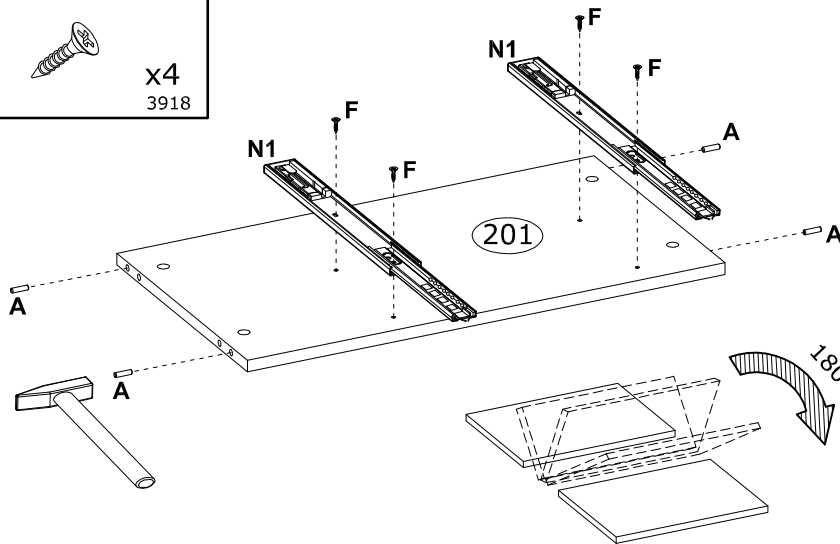
A Ø8x30 mm x2 3989	N1 L- 350 mm x2 88157	F Ø3,5x16 mm x4 3918	B Ø6,5x36,5 mm x2 4066	
------------------------------------	---------------------------------------	--------------------------------------	--	--



4

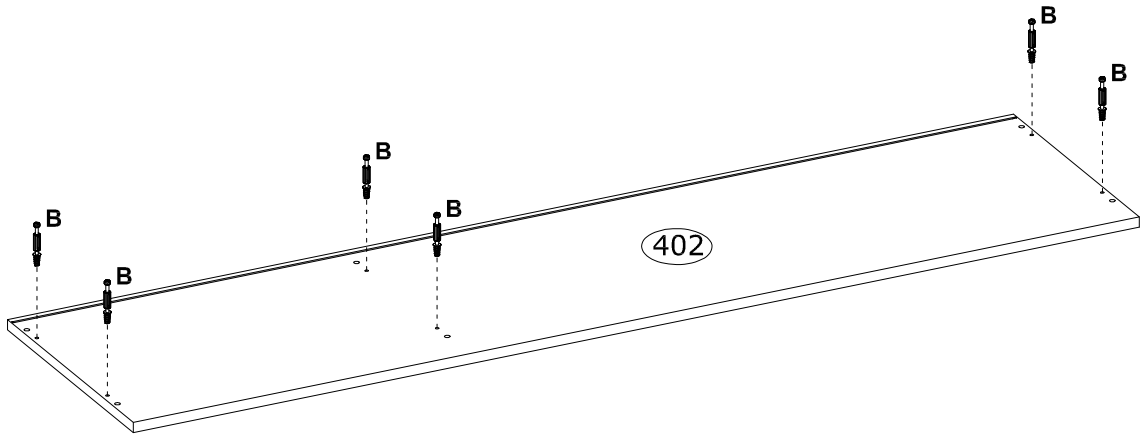
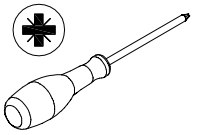
G Ø5x16 mm x2 4017	A Ø8x30 mm x4 3989	M Ø35 mm , KR8 x2 67350	N1 L- 350 mm x2 88157	
------------------------------------	------------------------------------	---	---------------------------------------	--

F Ø3,5x16 mm x4 3918



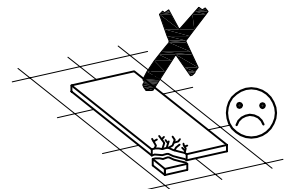
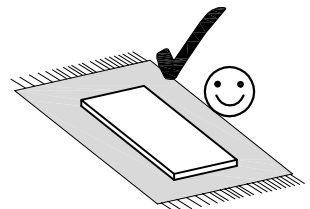
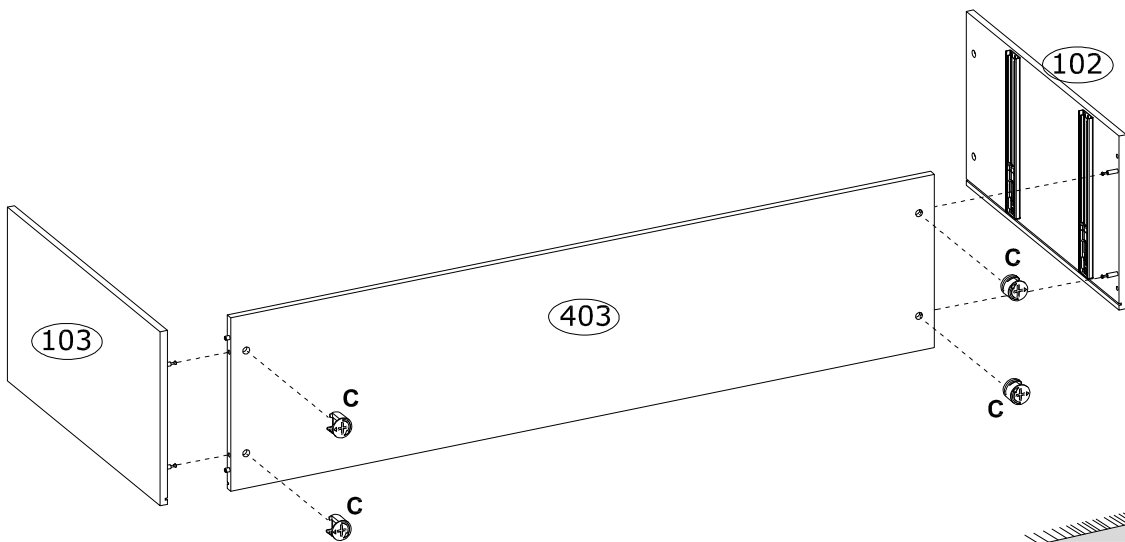
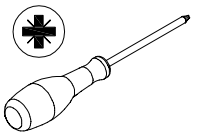
5

B
Ø6,5x36,5 mm
x6
4066



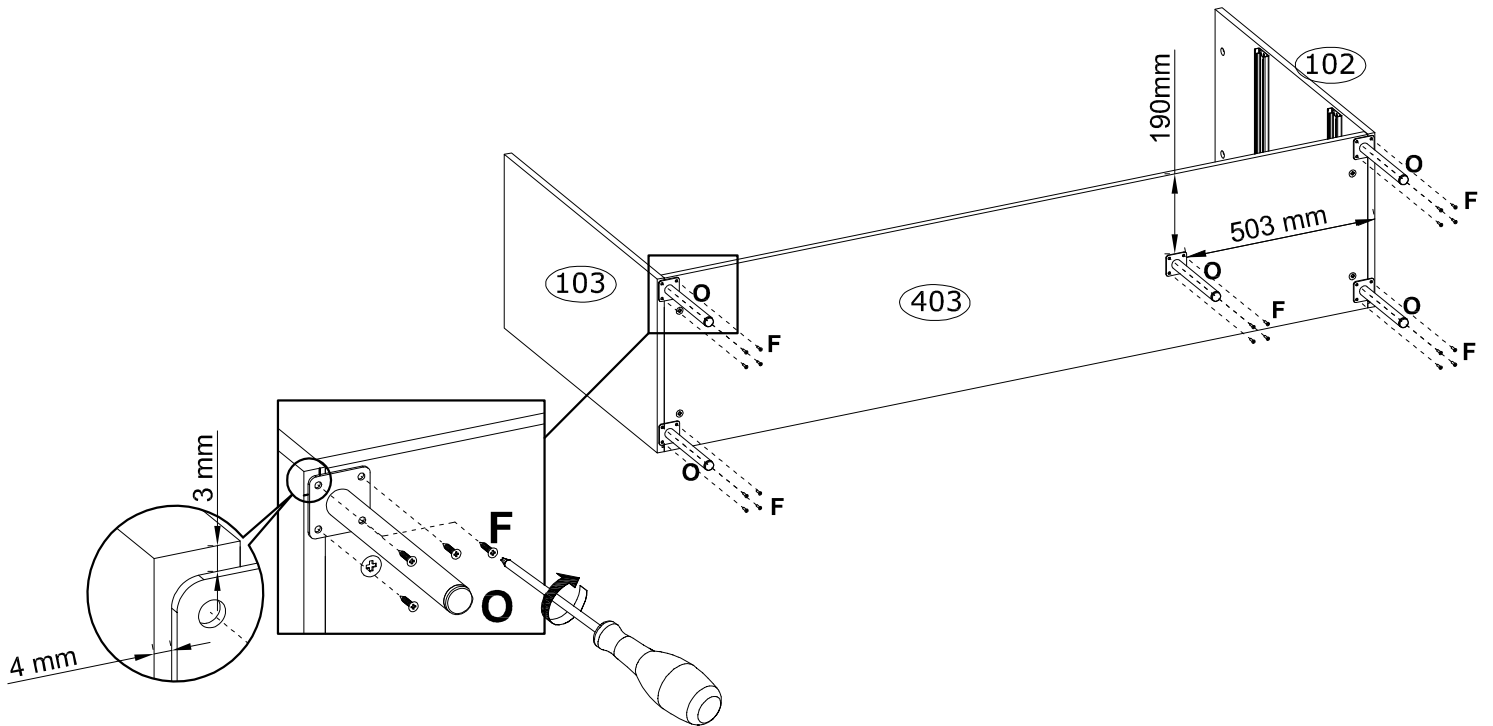
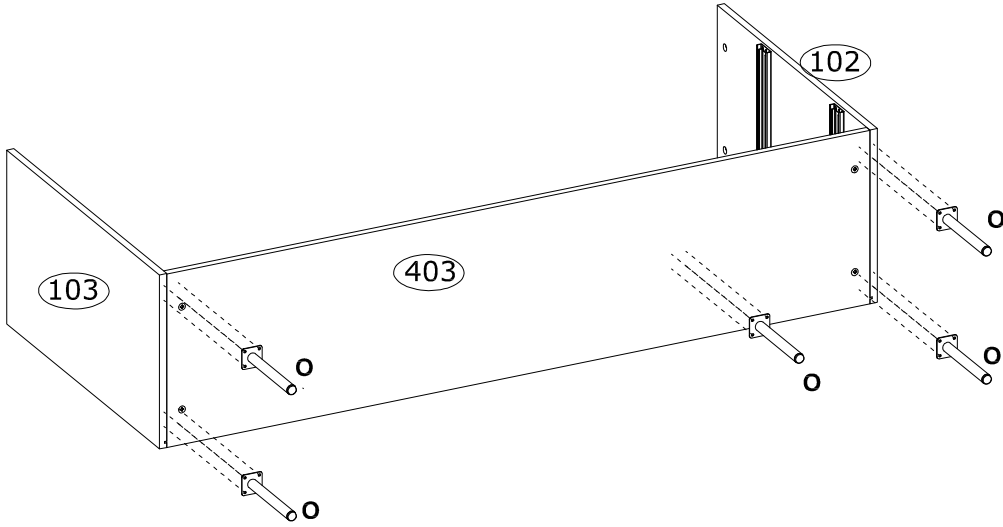
6

C
Ø15x12 mm
x4
3996



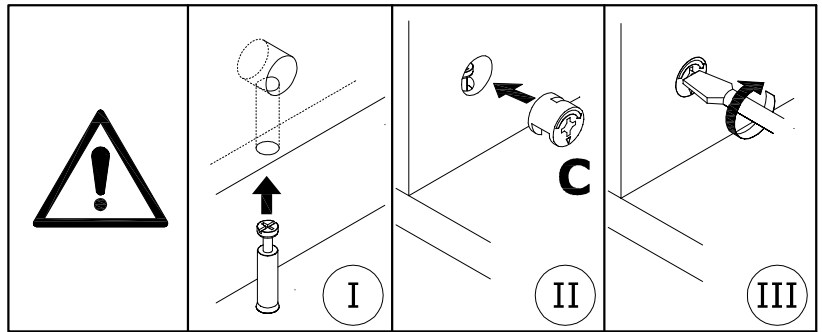
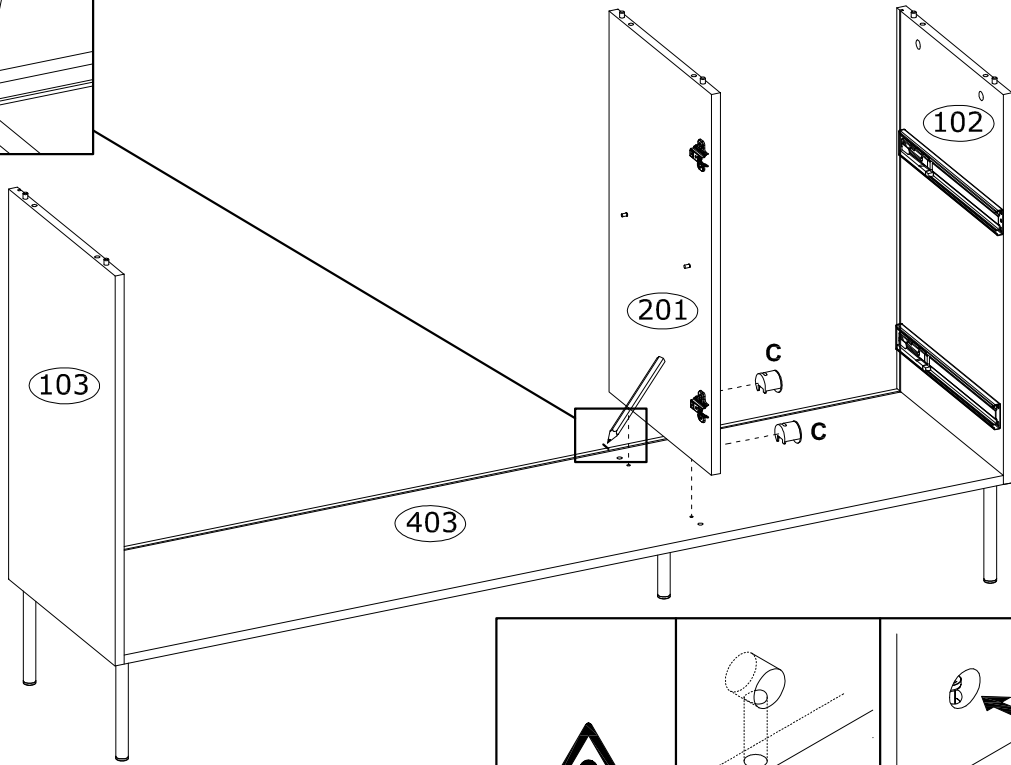
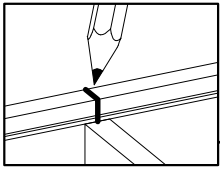

7

 Ø20, H-180 x5 232943	 Ø3,5x16 mm x20 3918	
---	--	--



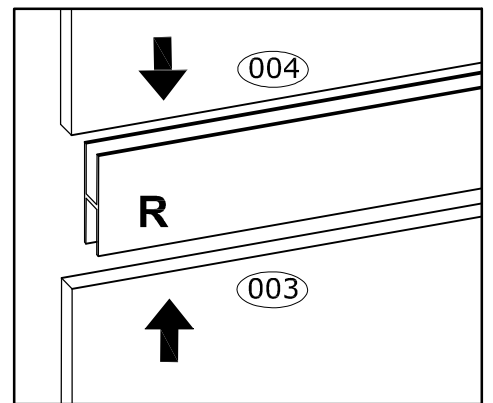
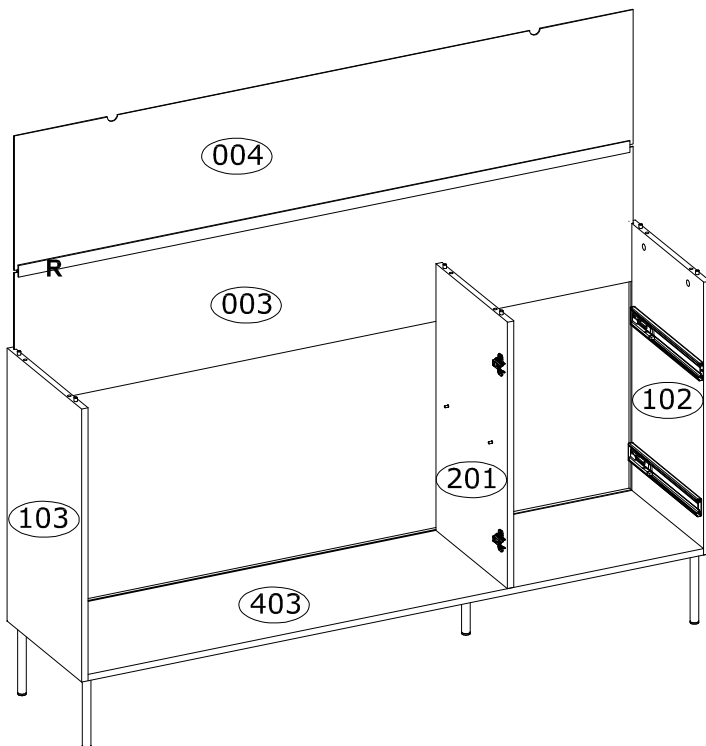
8

C Ø15x12 mm
x2
3996


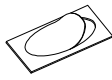
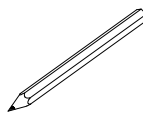
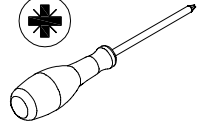


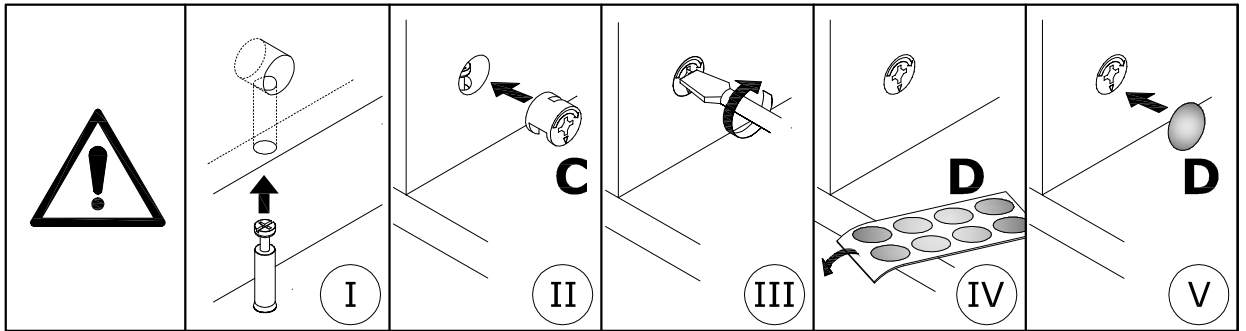
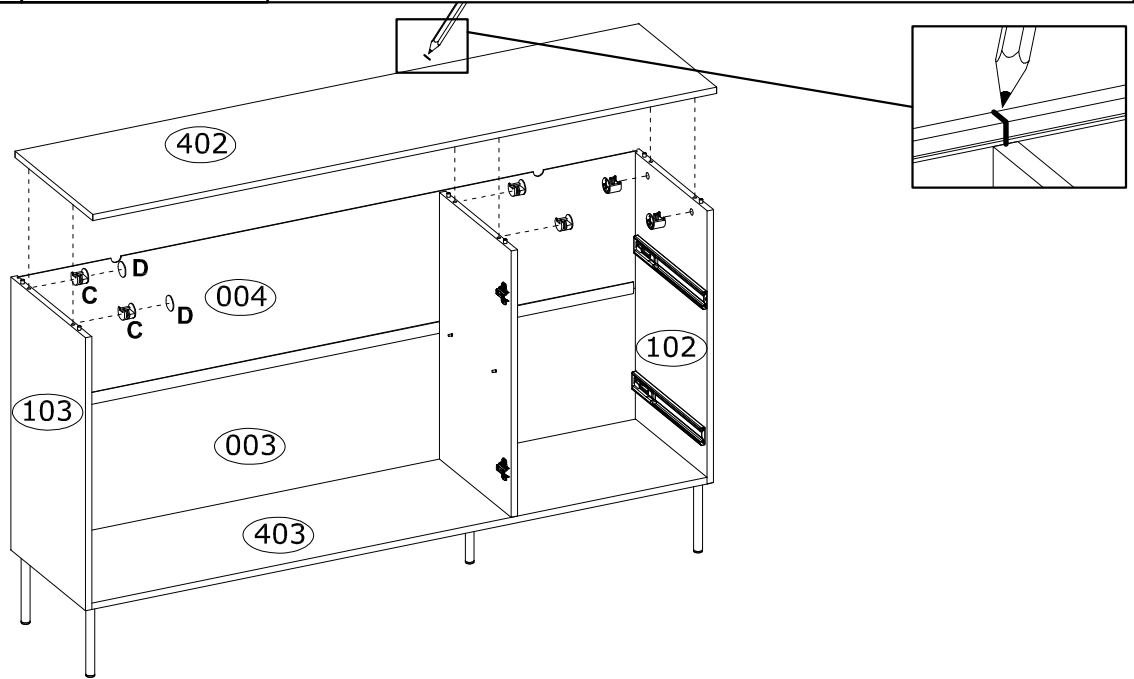
9

R L- 1563 mm
x1
IN00379

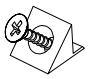

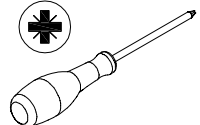


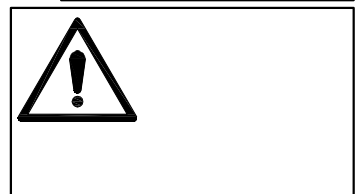
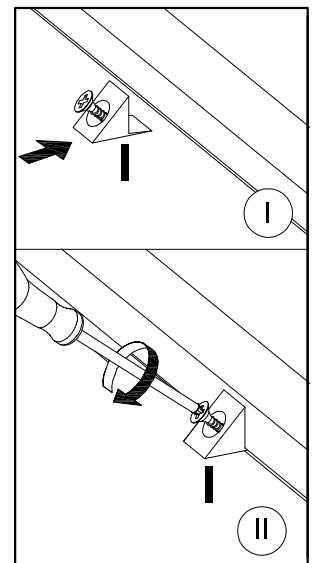
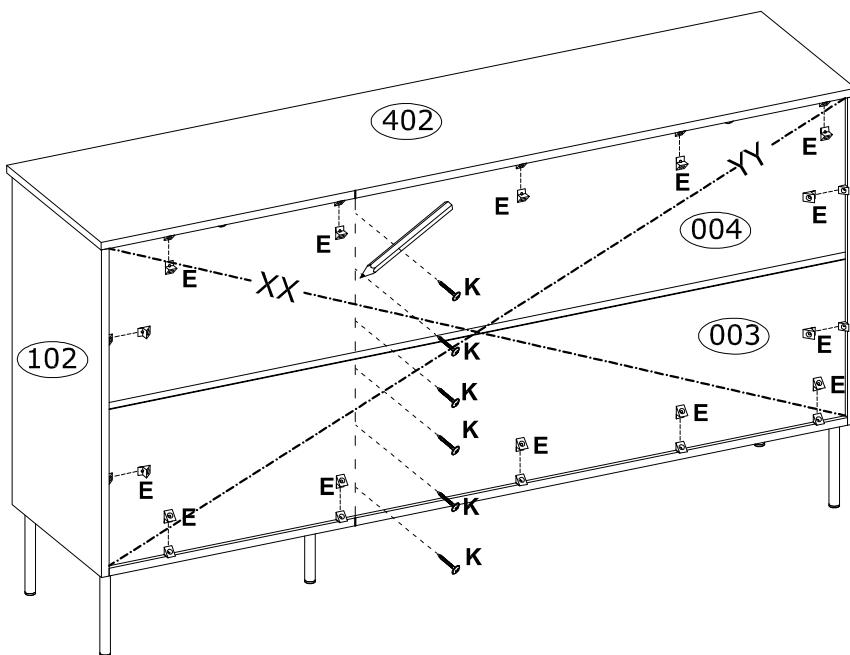
10

C Ø15x12 mm  x6 3996	D Ø20 mm  x2 136239	 
--	---	--

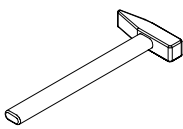


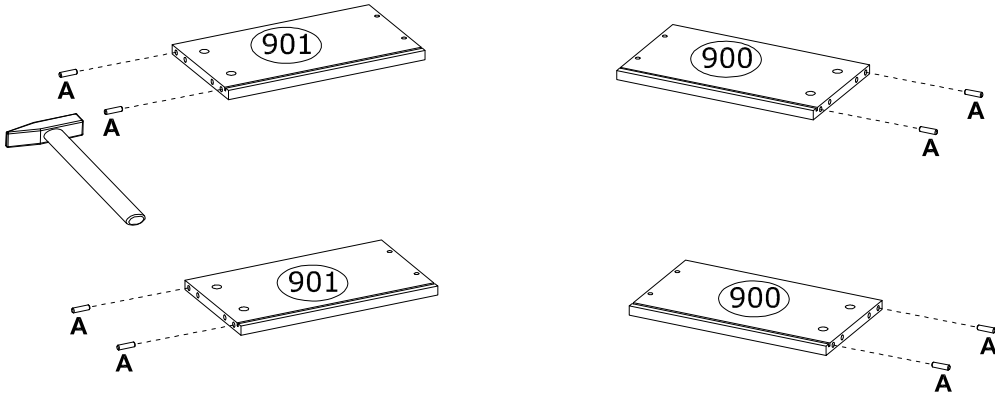
11

E 15x14x11 mm  x14 4044	K Ø3,0x25 mm  x6 3887	
---	---	---





12

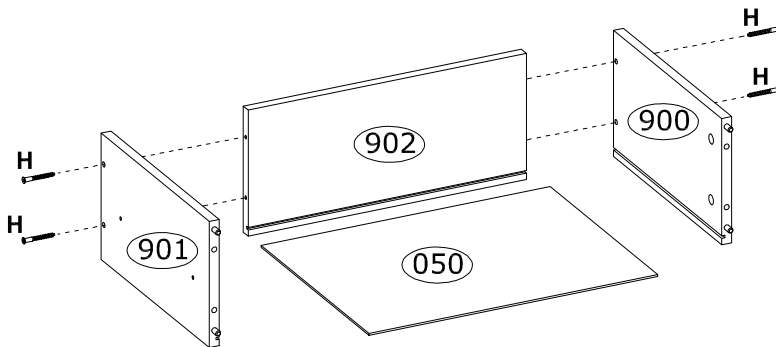
<p>A</p>  <p>Ø8x30 mm</p> <p>x8 3989</p>	
--	--



13

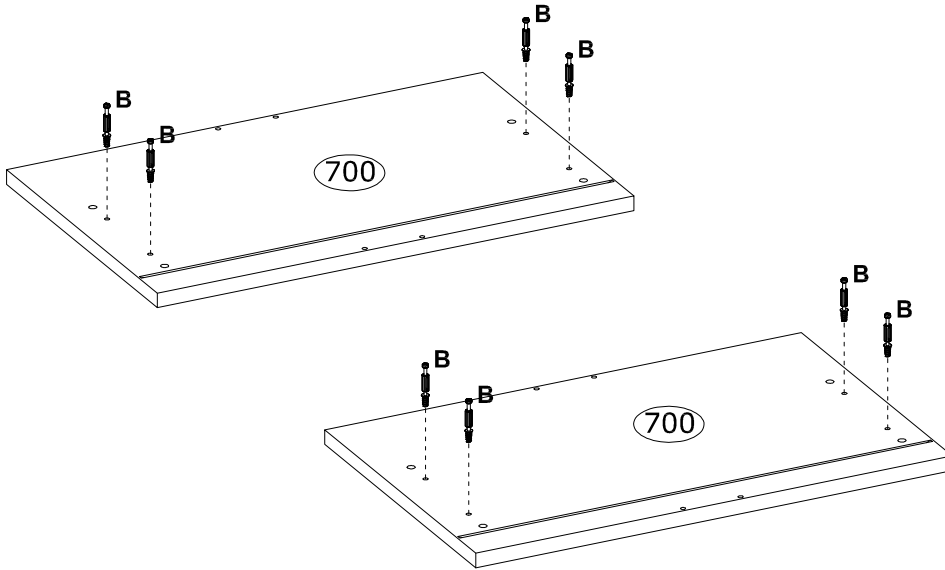
<p>H</p>  <p>Ø6,4x50mm</p> <p>x8 3884</p>	<p>I</p>  <p>4 mm</p> <p>x1 3984</p>	
---	--	--

x2


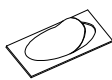


14

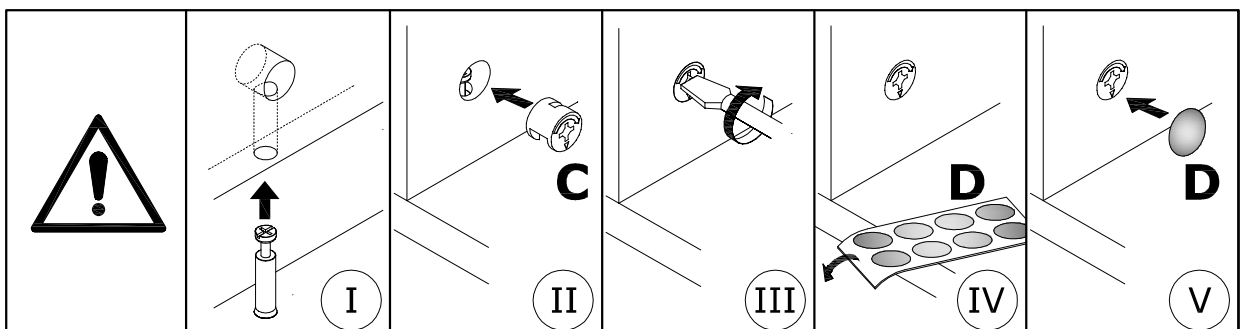
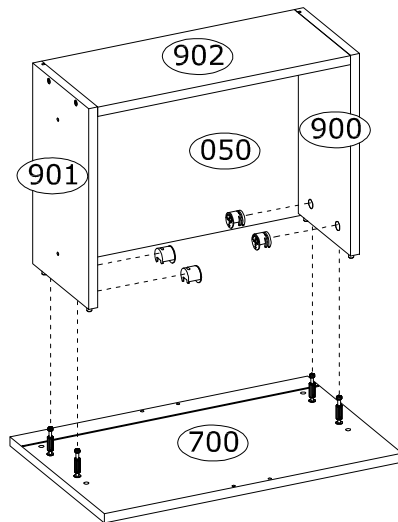
B	$\varnothing 6,5 \times 36,5$ mm		x8 4066	
----------	----------------------------------	---	-------------------	--



15

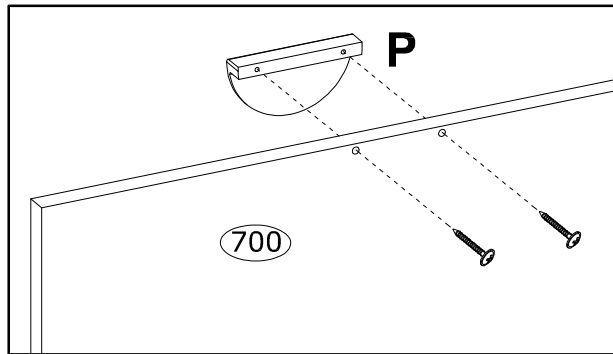
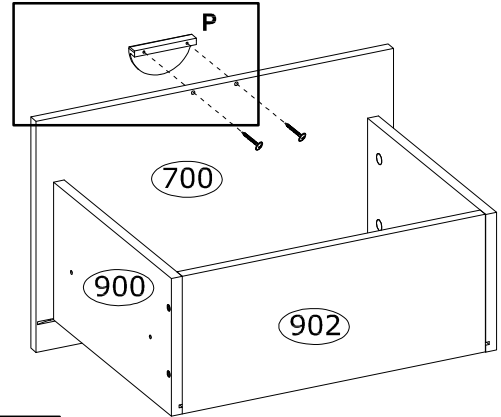
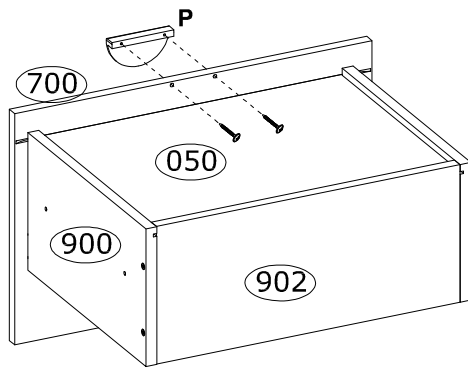
C	$\varnothing 15 \times 12$ mm	D	$\varnothing 20$ mm	
	x8 3996		x8 136239	

x2



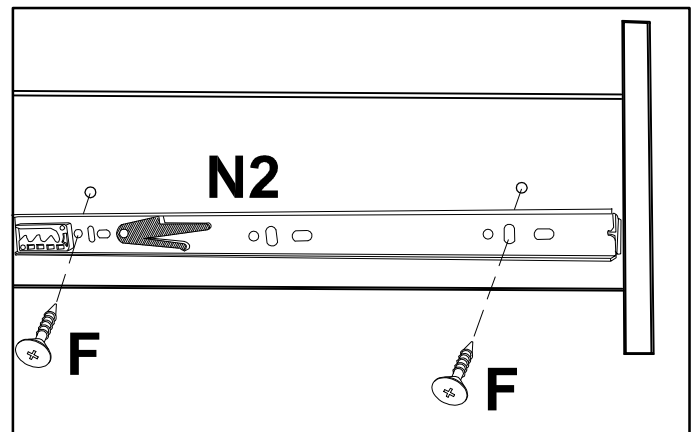
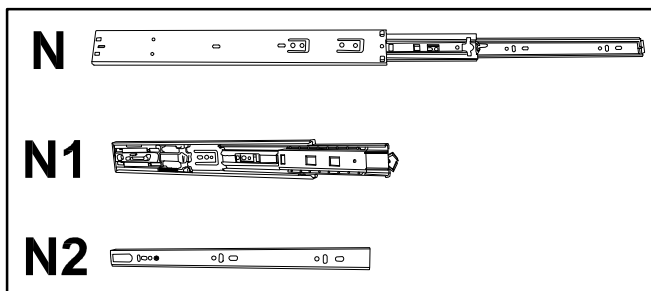
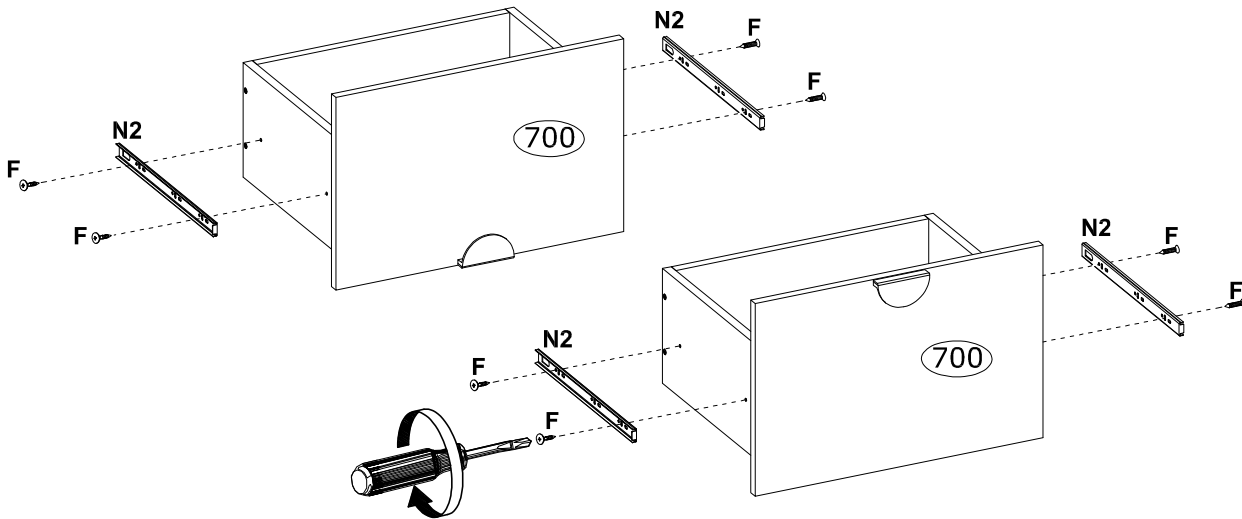
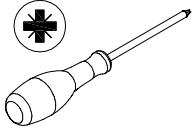
16

P 96X48X20 mm
x2
236246 236248


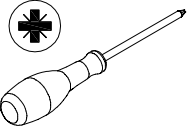


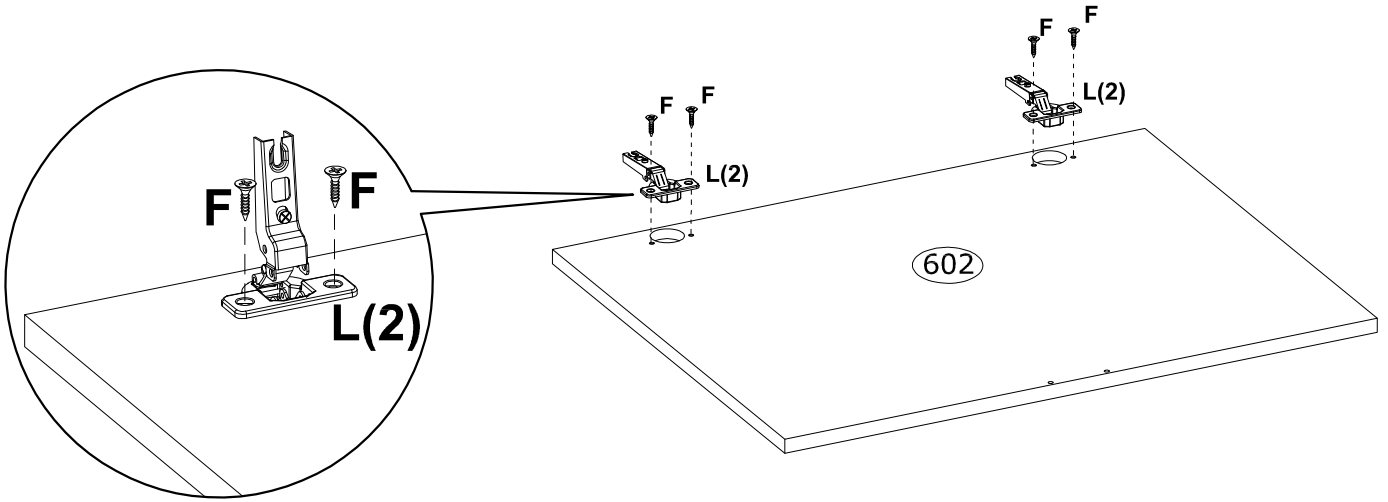
17

N2 L- 350 mm x2 88157
F Ø3,5x16 mm x8 3918

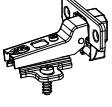

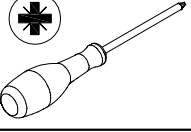


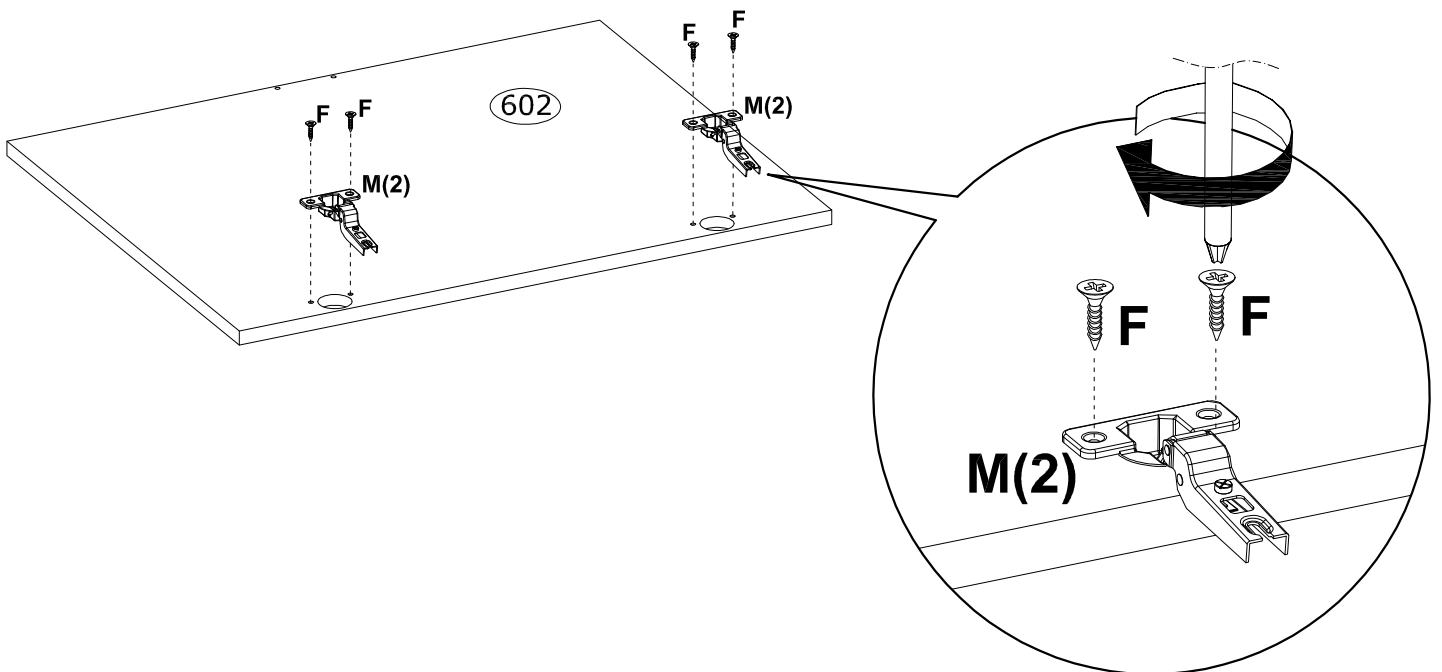
18

L Ø35 mm , KR0  x2 IN01640	F Ø3,5x16 mm  x4 3918	
---	---	--



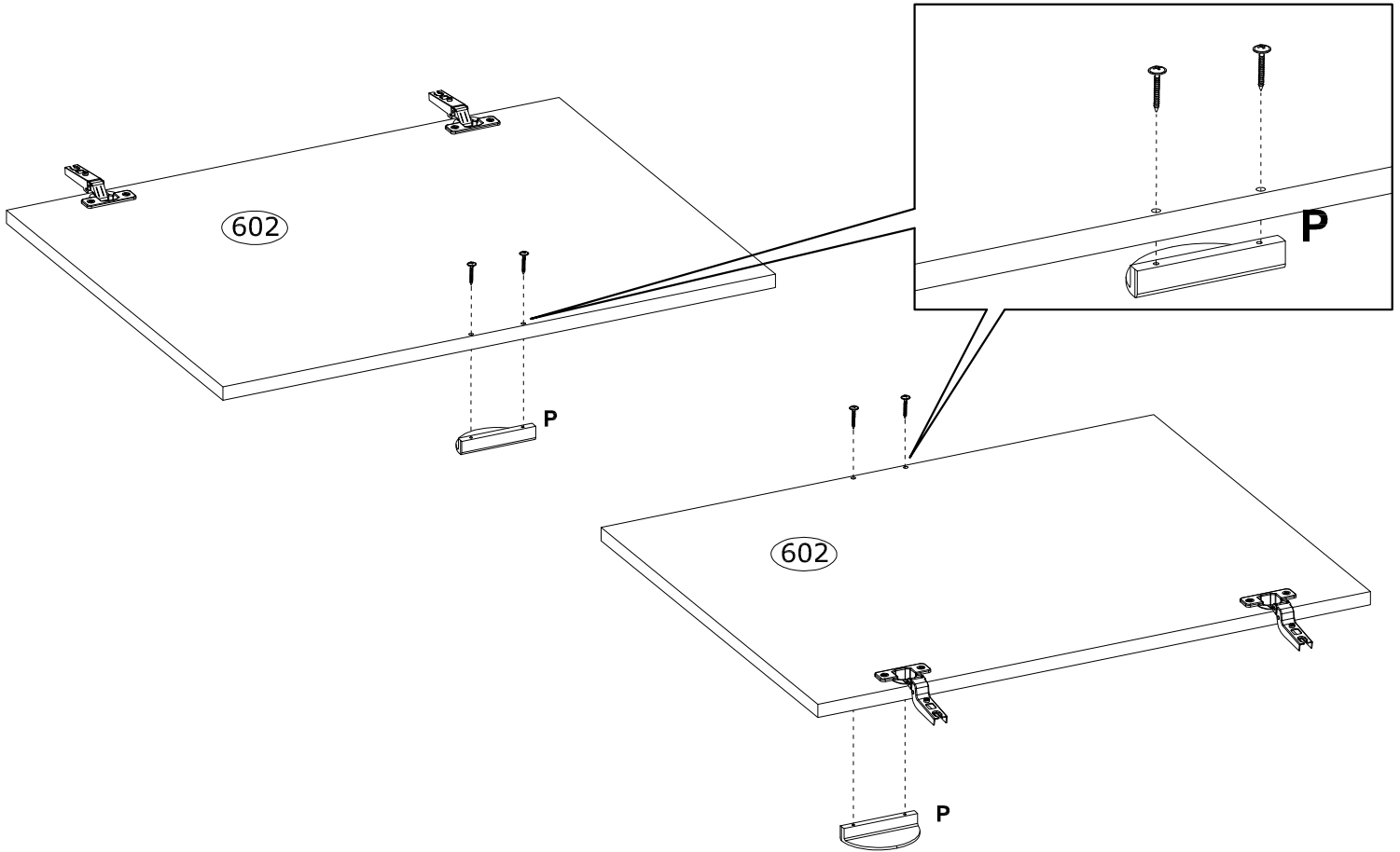
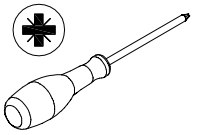
19

M Ø35 mm , KR8  x2 67350	F Ø3,5x16 mm  x4 3918	
--	---	---



20

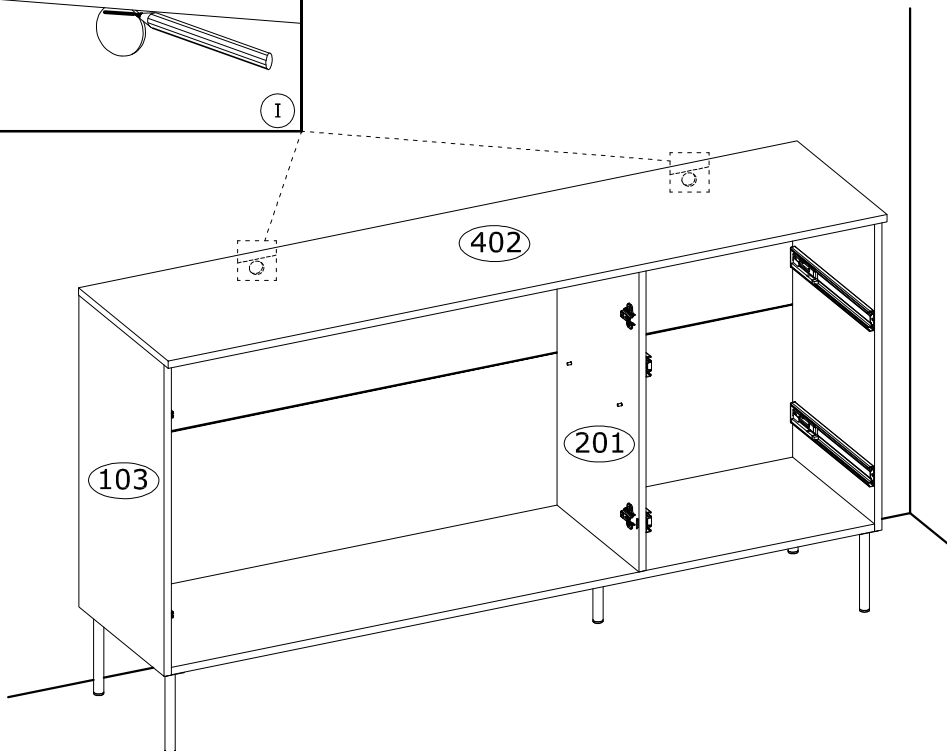
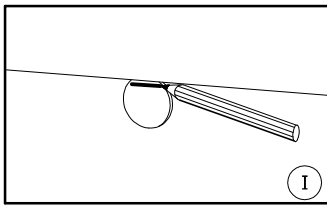
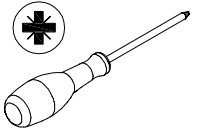
P 96X48X20 mm
x2
236246 236248

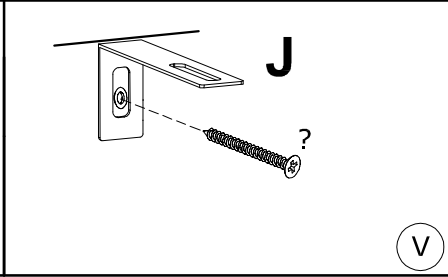
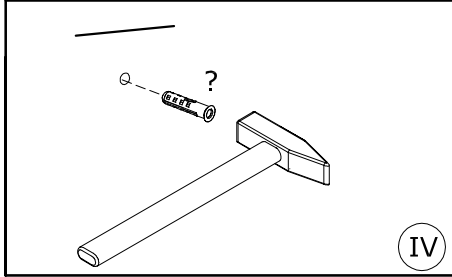
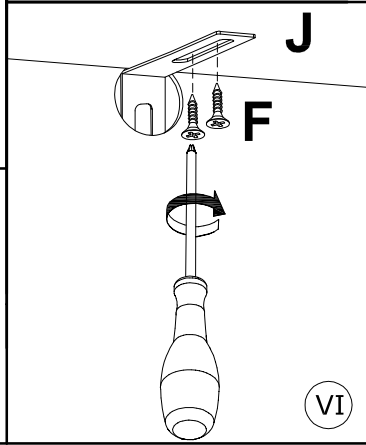
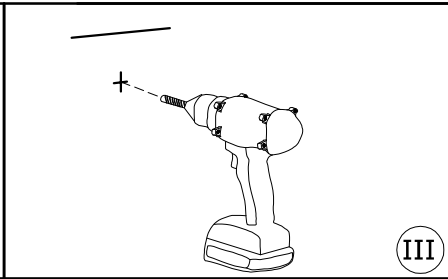
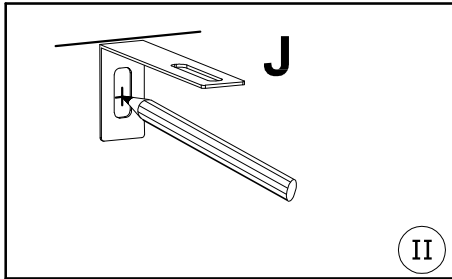
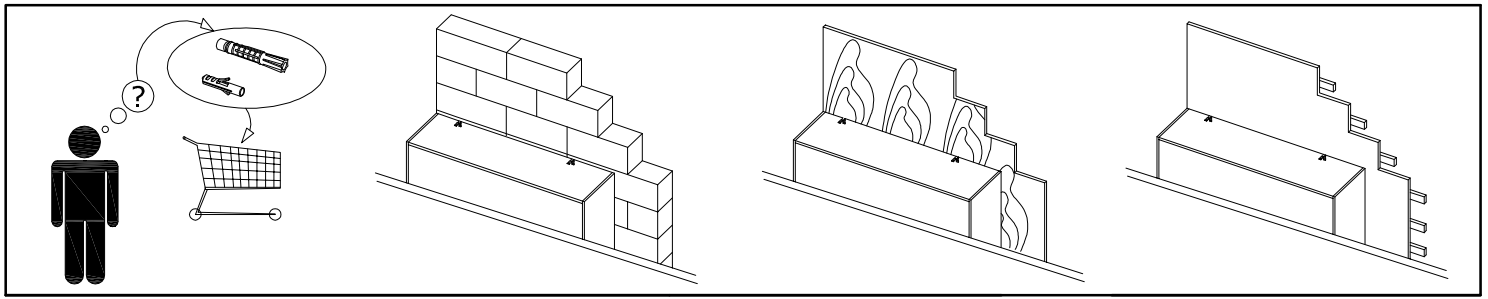


21

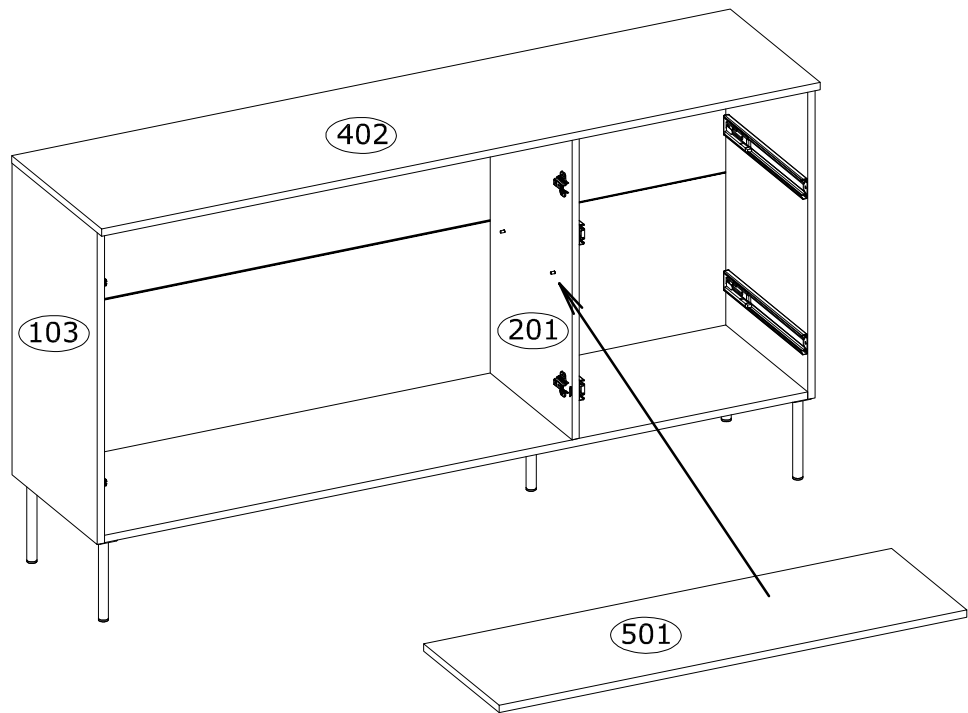
J 75x15x32 mm
x2
71900

F Ø3,5x16 mm
x4
3918



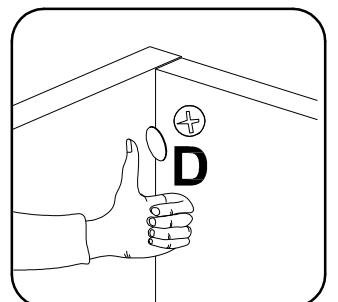
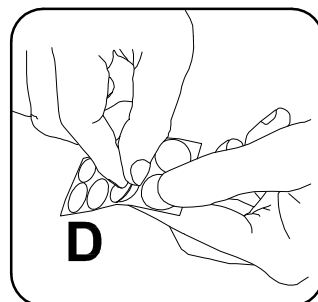
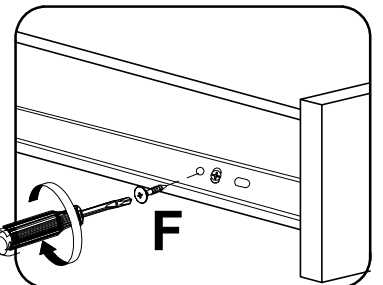
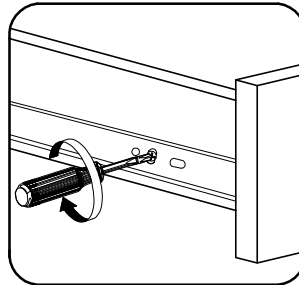
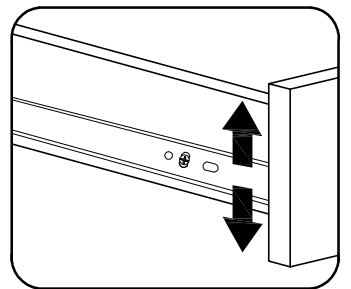
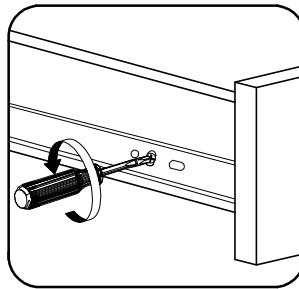
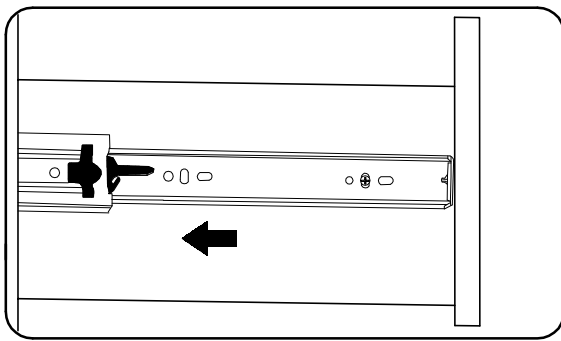
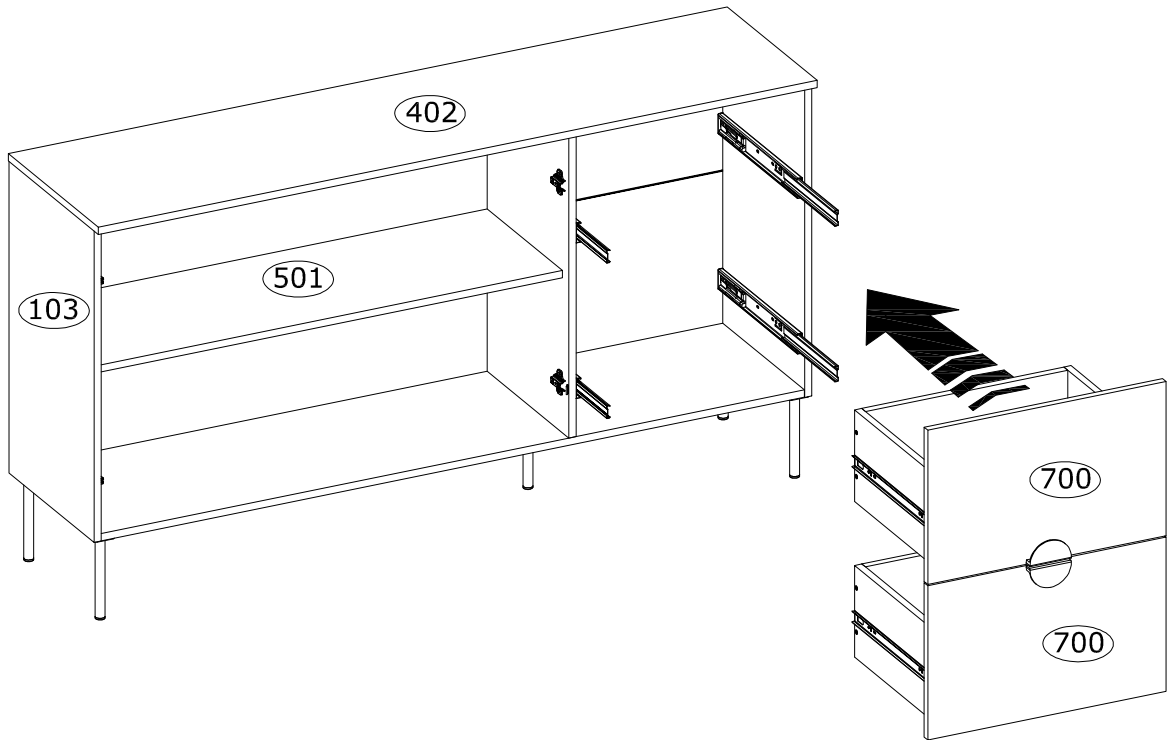


22



21

F Ø3,5x16 mm x4 3918 	D Ø20 mm x8 136239 	
---	---	--



21

