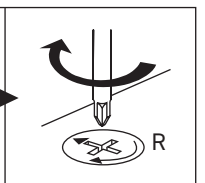
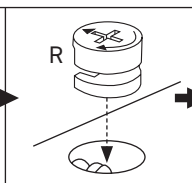
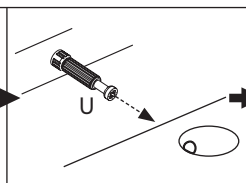
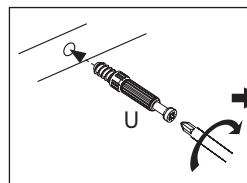
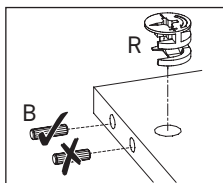
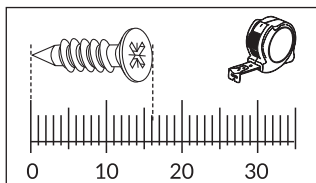
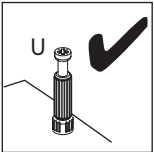
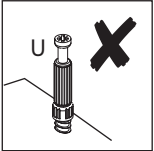
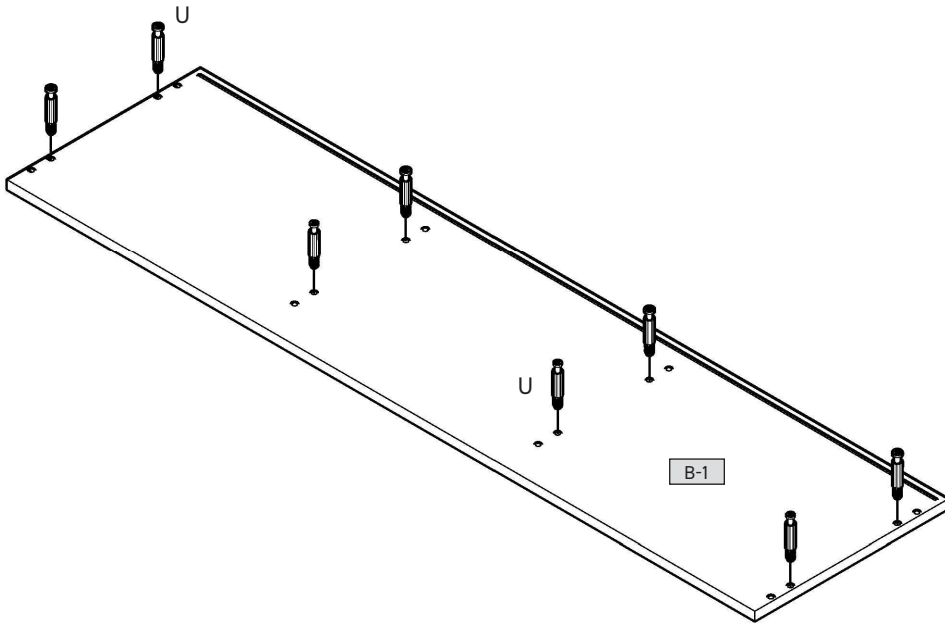
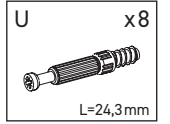


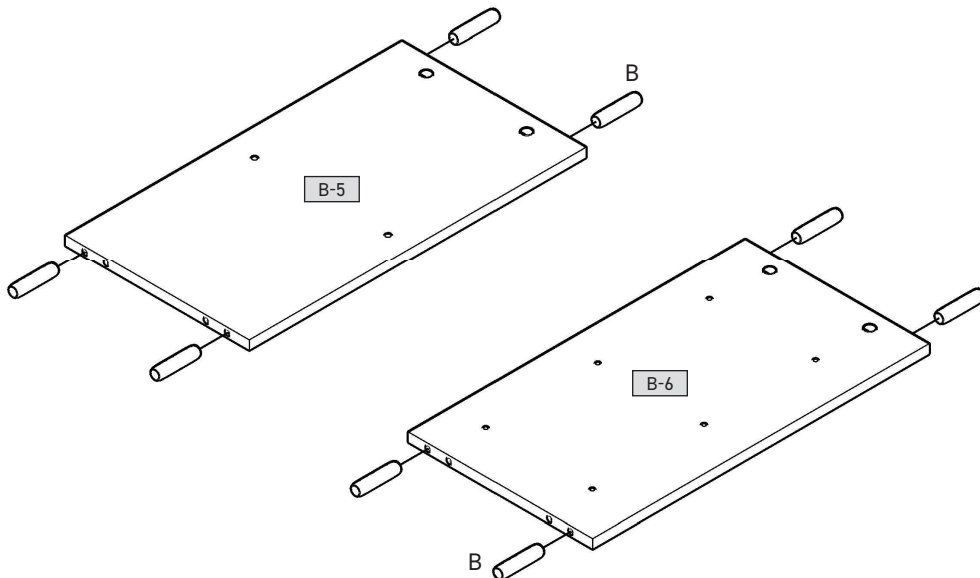
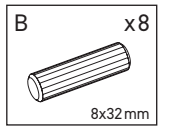
B-1	1531	395	16	x 1	1/2
B-2	1531	395	16	x 1	1/2
B-3	632	394	16	x 1	1/2
B-4	632	394	16	x 1	1/2
B-5	632	347	16	x 1	1/2
B-6	632	347	16	x 1	1/2
B-7	492	335	16	x 1	1/2
B-8	482	335	16	x 1	1/2
B-9	496	626	18	x 2	2/2
B-10	496	206	16	x 3	2/2
B-11	300	120	16	x 3	1/2
B-12	300	120	16	x 3	1/2
B-13	426	120	16	x 3	2/2
B-14	456	306	3	x 3	1/2
B-15	1512	646	3	x 1	1/2



1

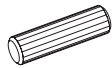
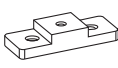



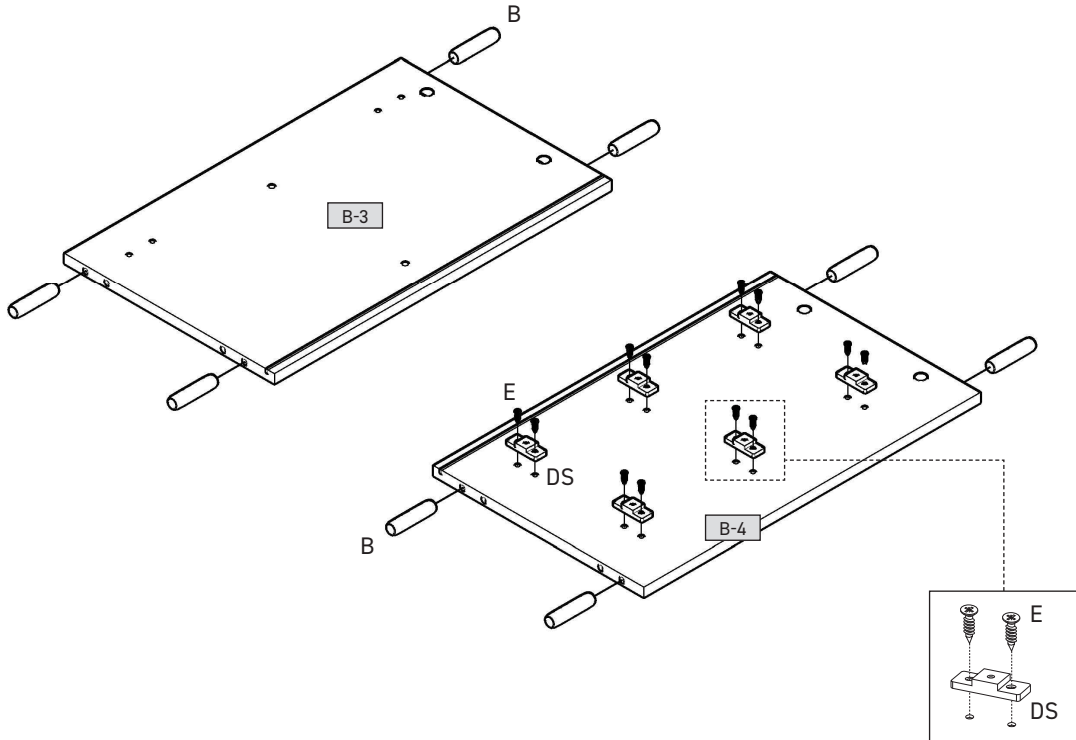
2



3





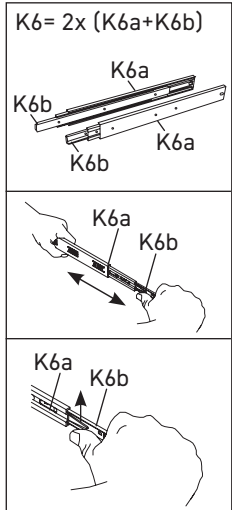
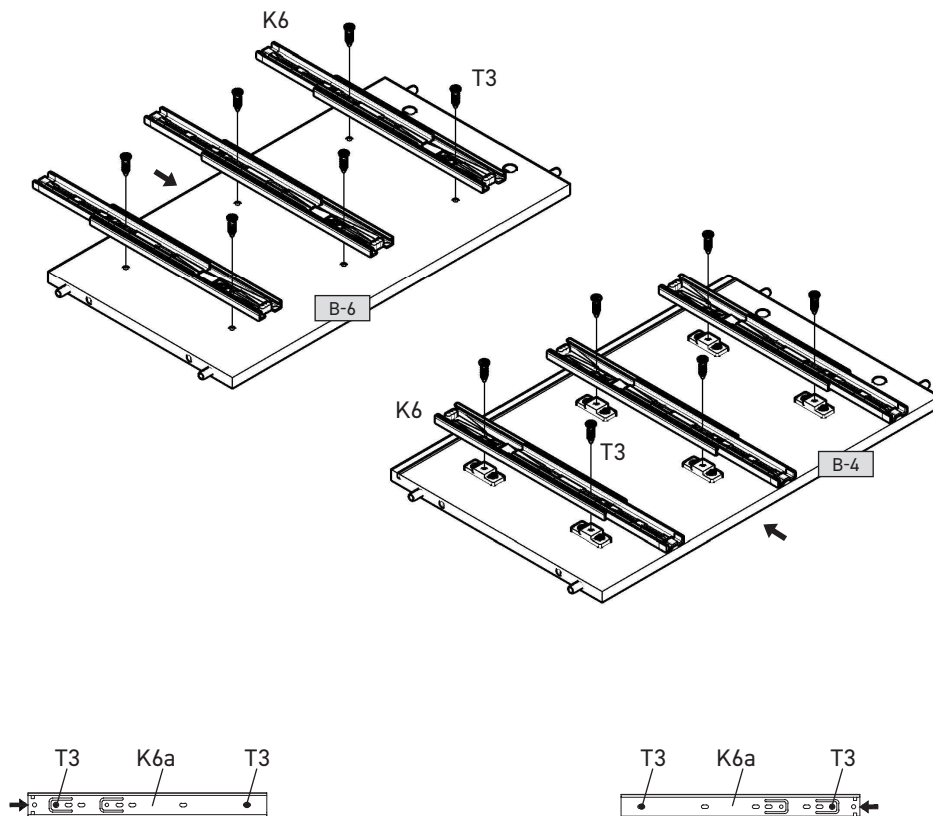
<b>B</b>	<b>x8</b>	<b>DS</b>	<b>x6</b>	<b>E</b>	<b>x12</b>
					
	8x32mm		H=10mm		3,5x13mm



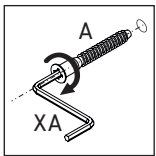
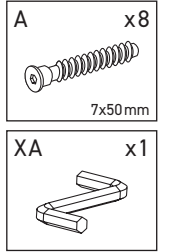
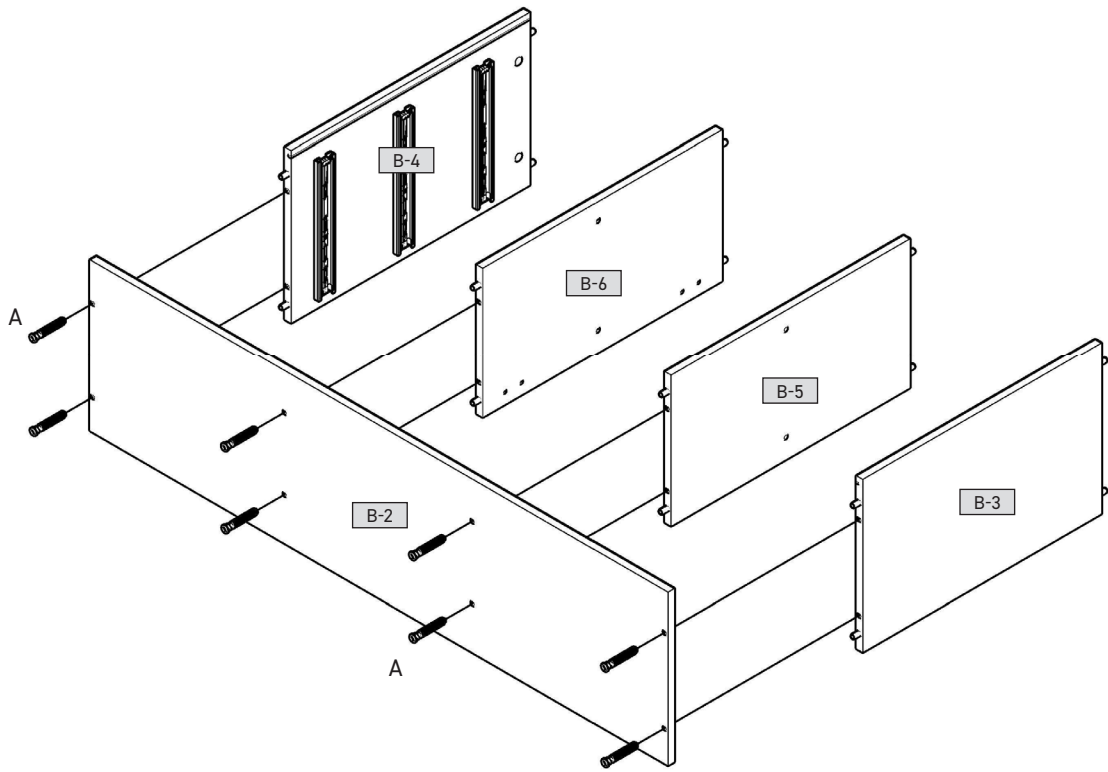
4



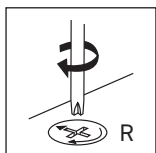
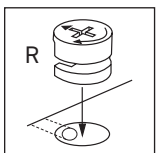
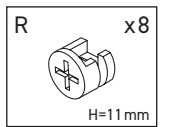
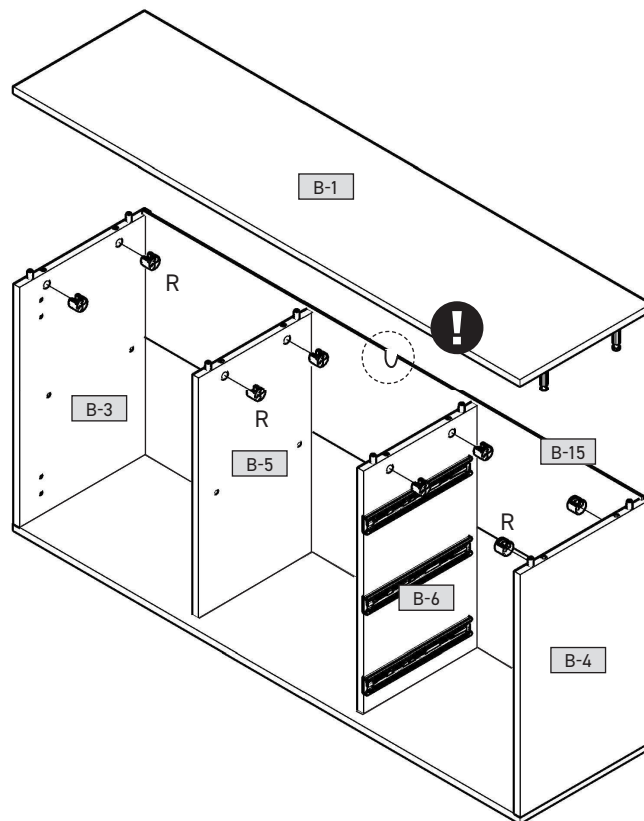
<b>K6</b>	<b>x3</b>	<b>T3</b>	<b>x12</b>
			
	L=300mm		5x9mm



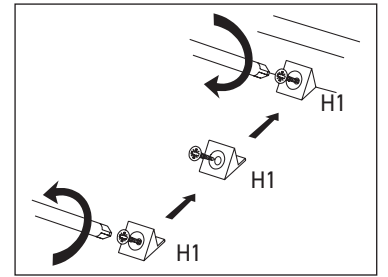
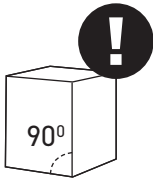
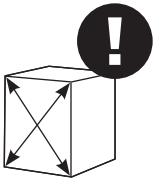
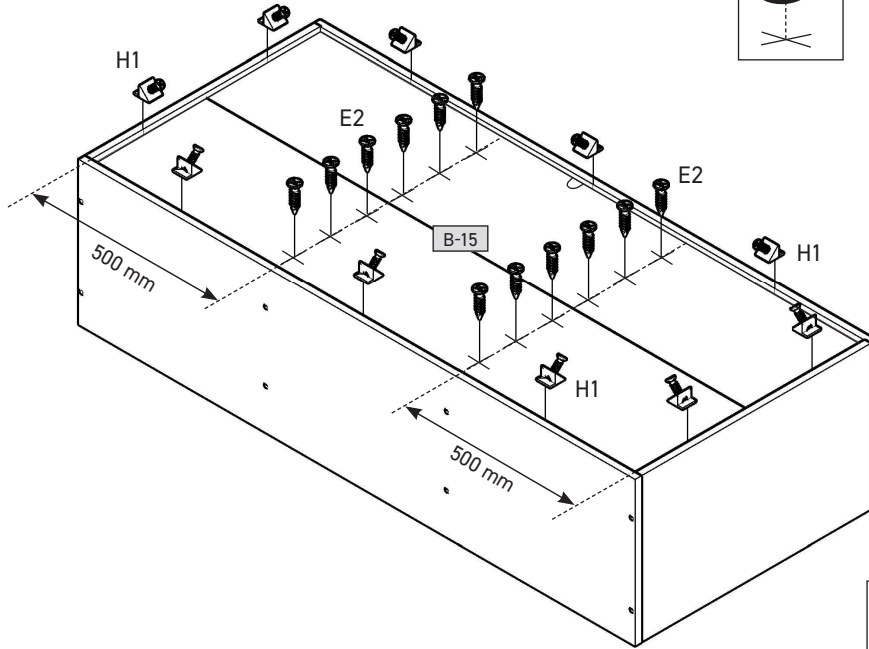
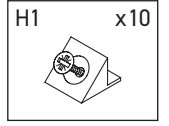
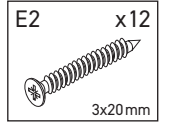
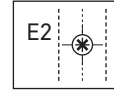
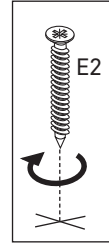
5



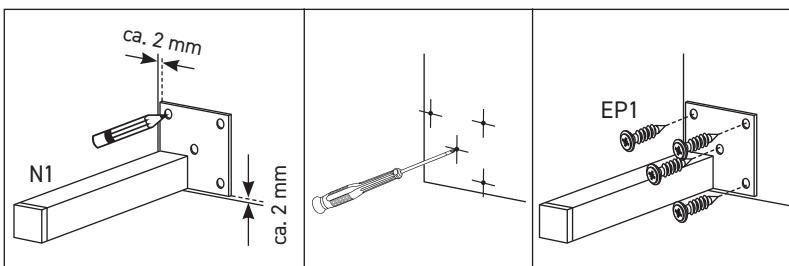
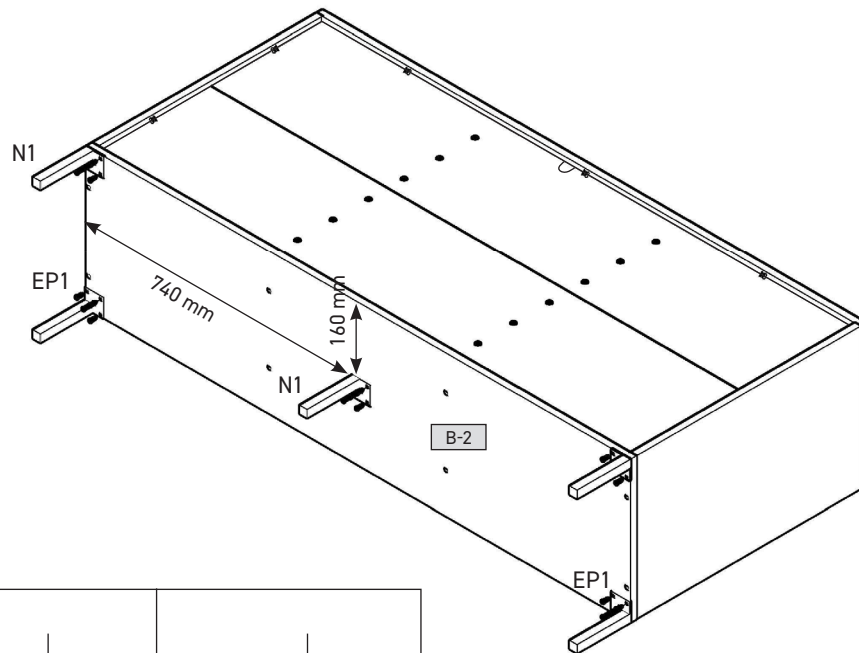
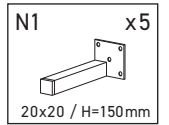
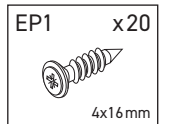
6



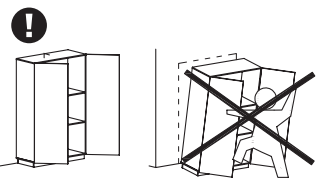
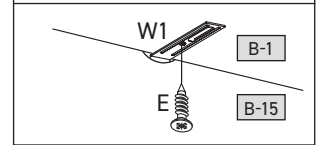
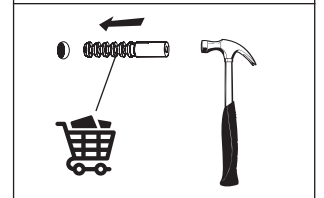
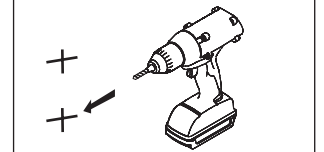
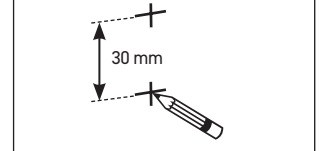
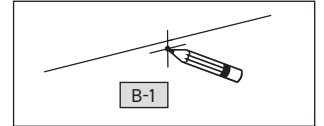
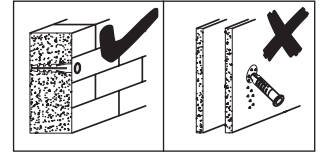
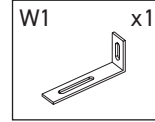
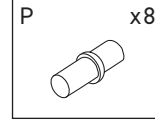
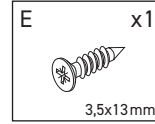
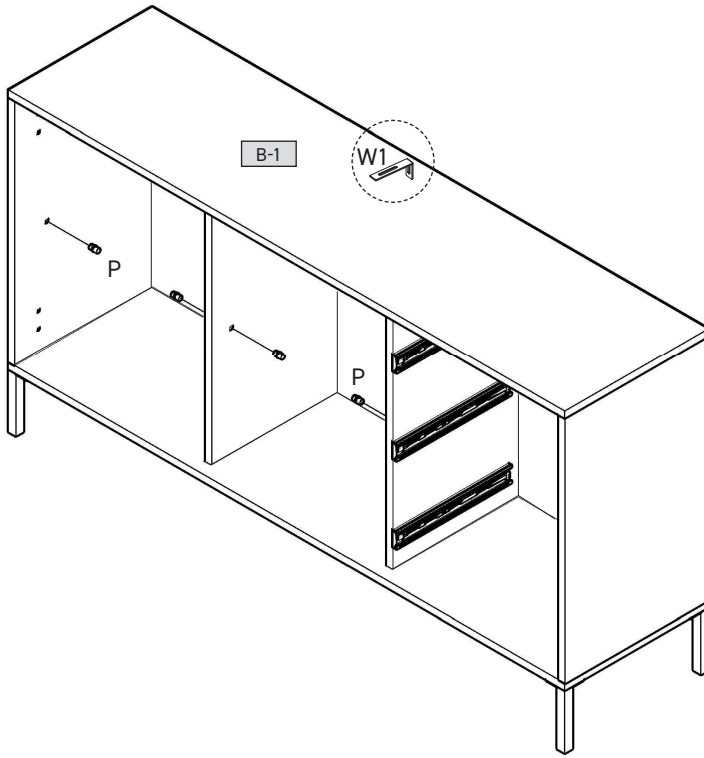
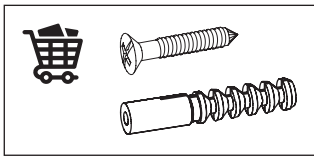
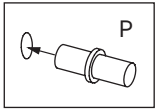
7



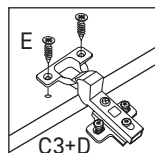
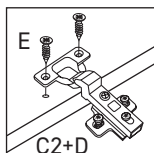
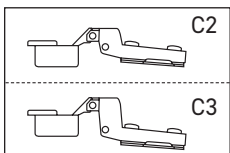
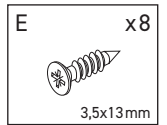
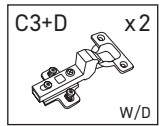
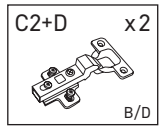
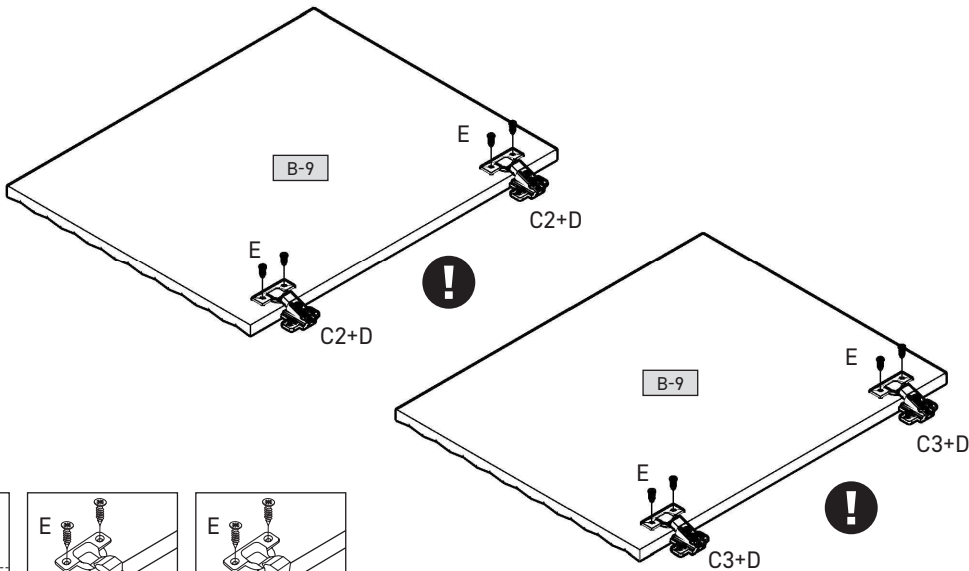
8



9

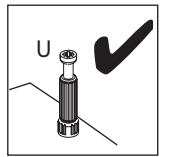
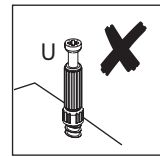
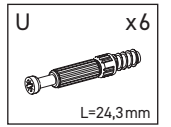
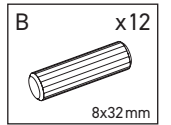
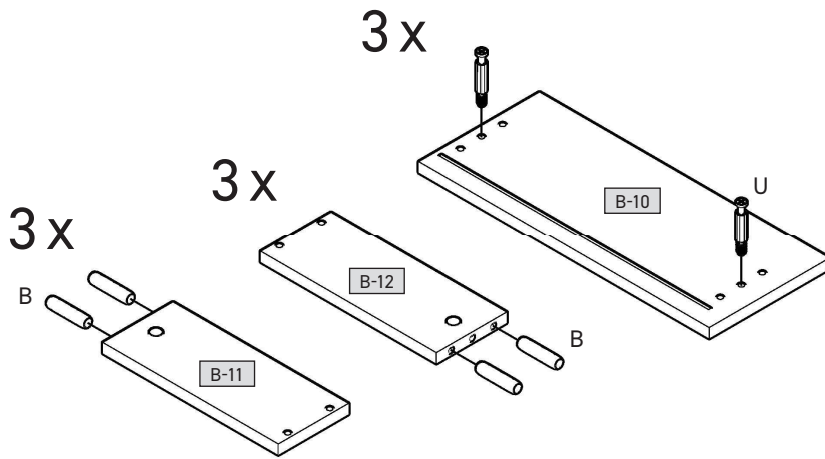


10

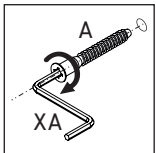
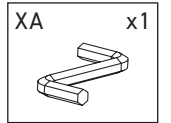
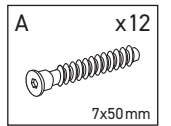
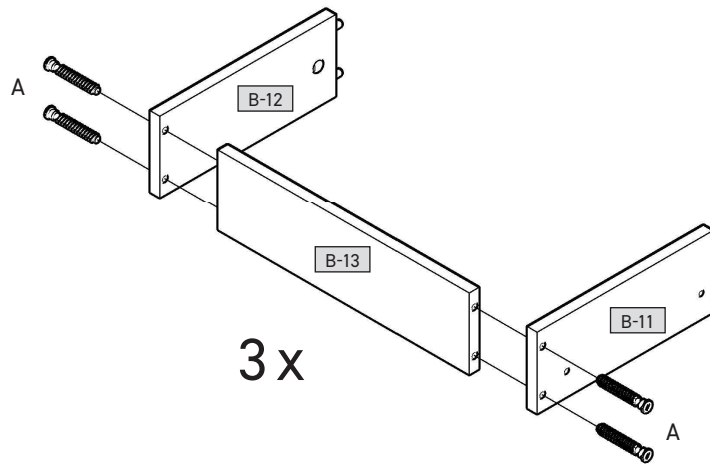




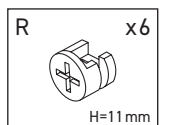
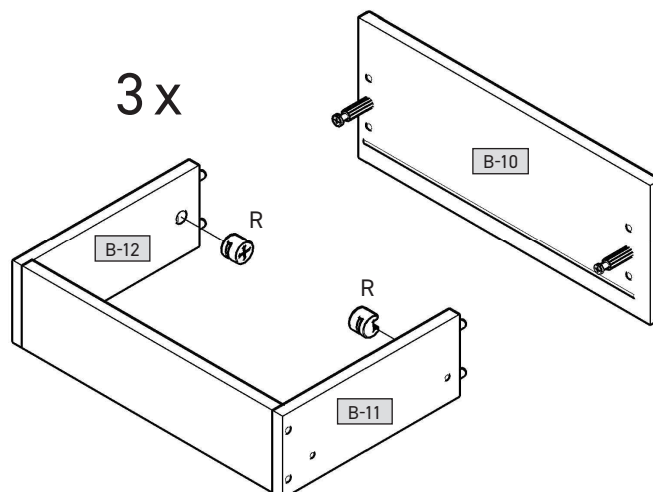
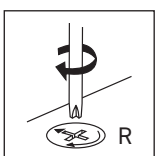
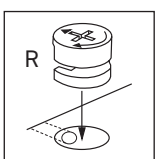
11



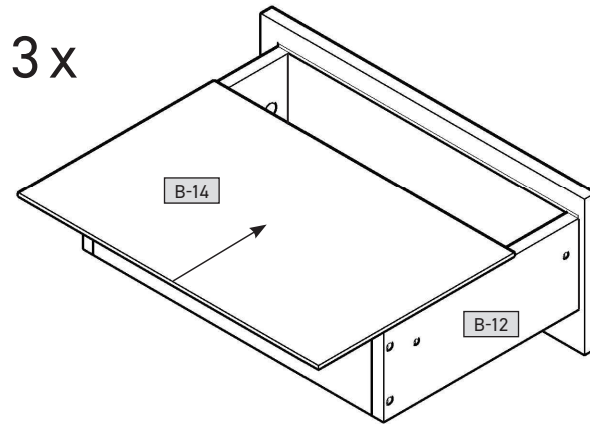
12



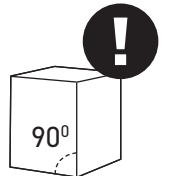
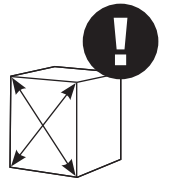
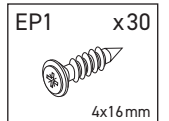
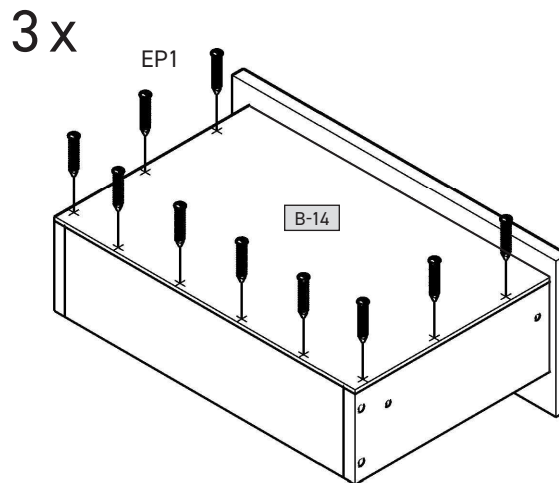
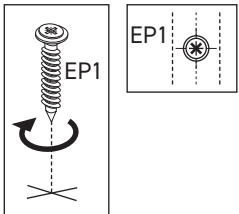
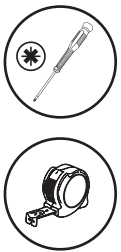
13



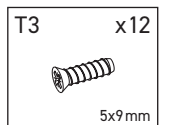
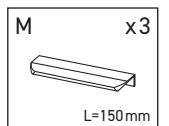
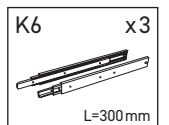
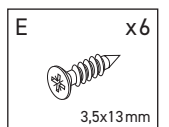
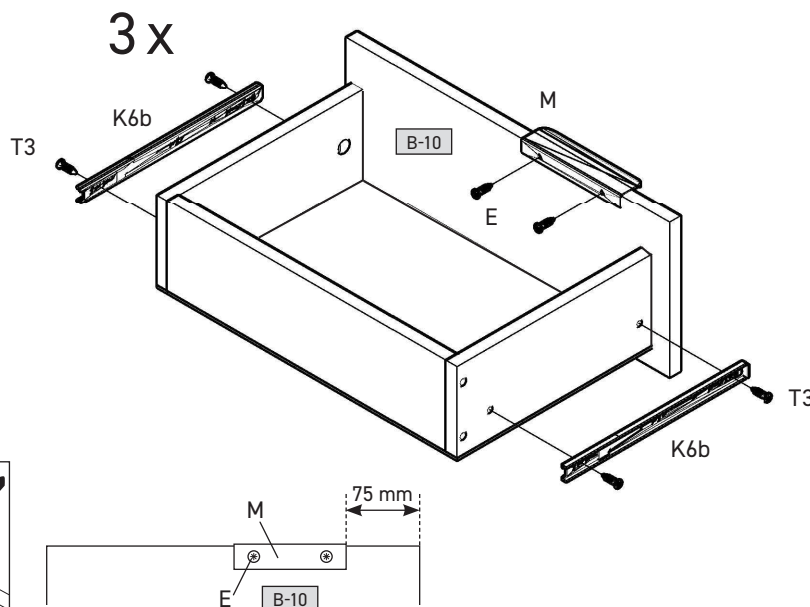
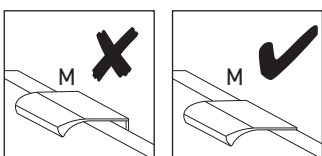
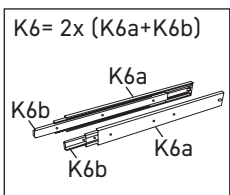
14



15



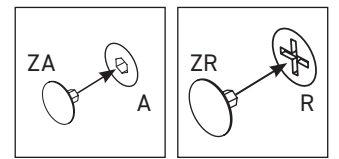
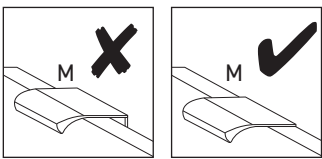
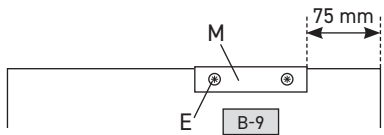
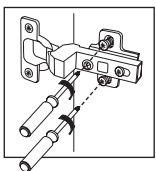
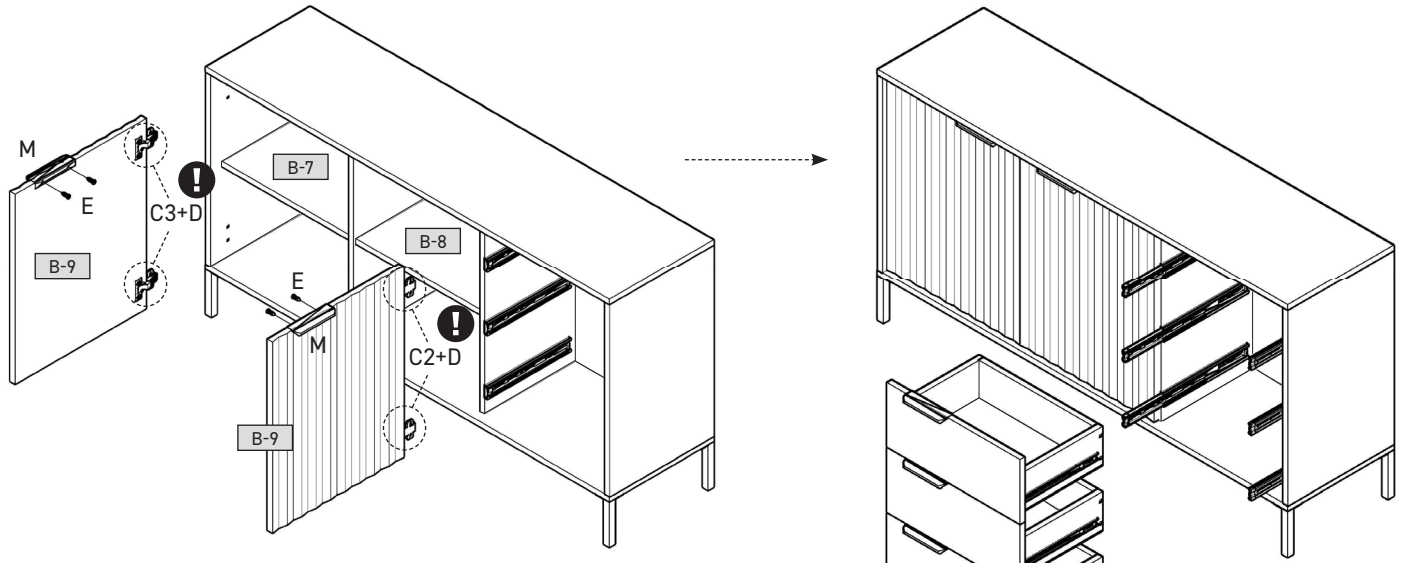
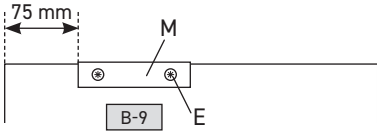
16



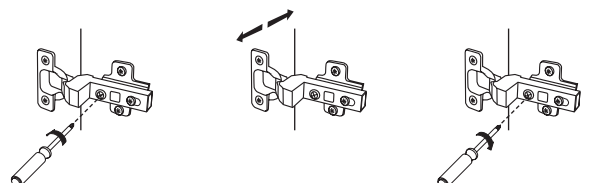
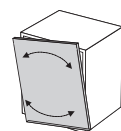
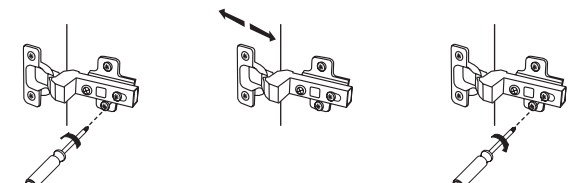
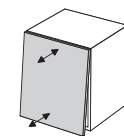
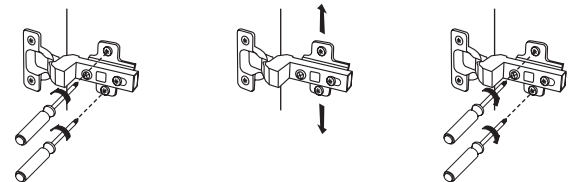
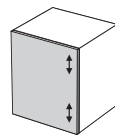
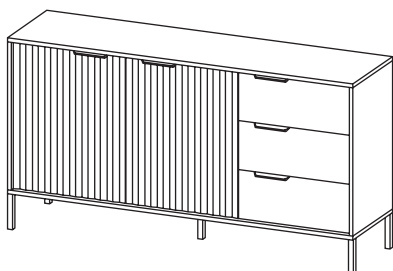
17

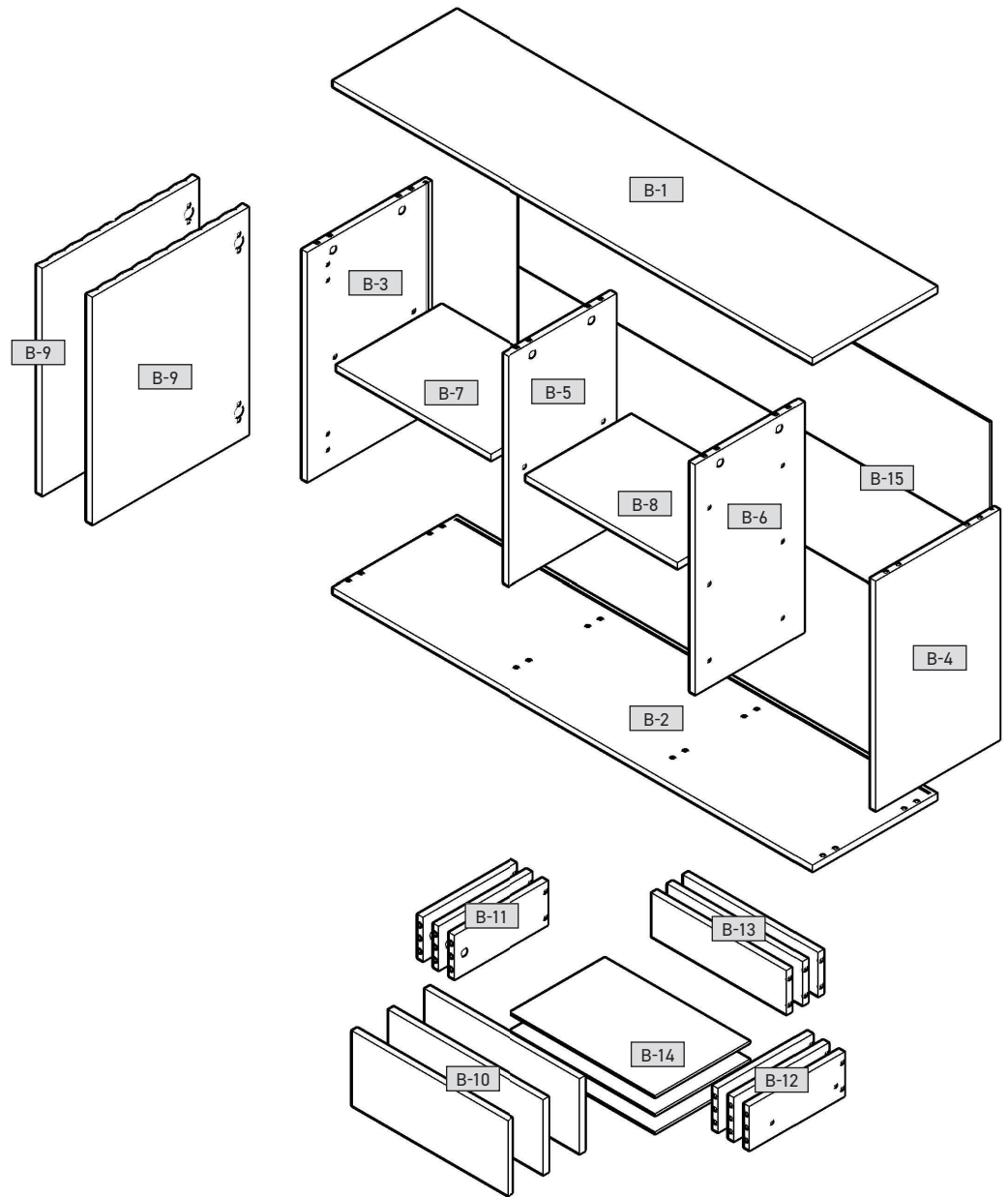
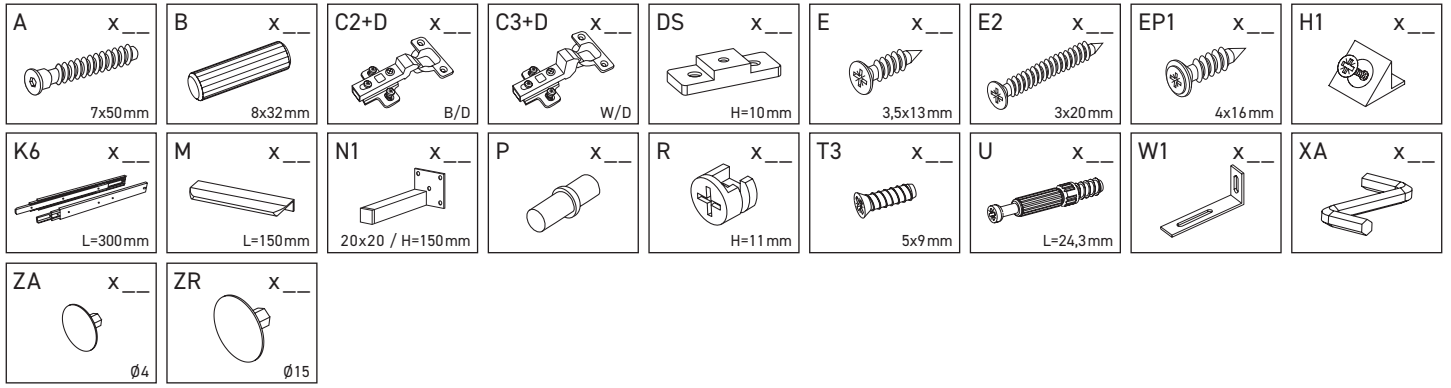


E	x4	M	x2	ZA	x20	ZR	x14
3,5x13mm		L=150mm		Ø4		Ø15	



18





B-1	1531	395	16	x 1	1/2
B-2	1531	395	16	x 1	1/2
B-3	632	394	16	x 1	1/2
B-4	632	394	16	x 1	1/2
B-5	632	347	16	x 1	1/2
B-6	632	347	16	x 1	1/2
B-7	492	335	16	x 1	1/2
B-8	482	335	16	x 1	1/2
B-9	496	626	18	x 2	2/2
B-10	496	206	16	x 3	2/2
B-11	300	120	16	x 3	1/2
B-12	300	120	16	x 3	1/2
B-13	426	120	16	x 3	2/2
B-14	456	306	3	x 3	1/2
B-15	1512	646	3	x 1	1/2

