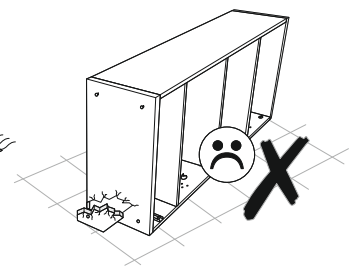
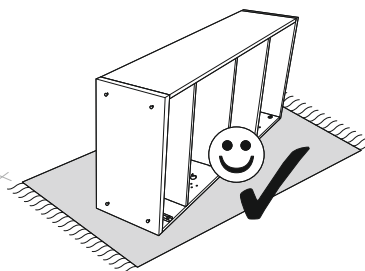
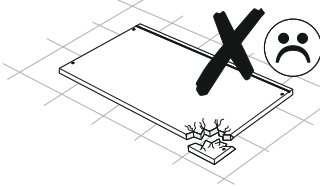
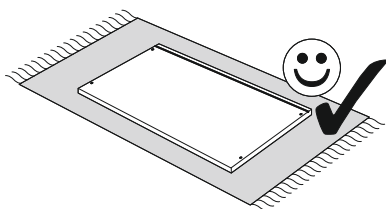
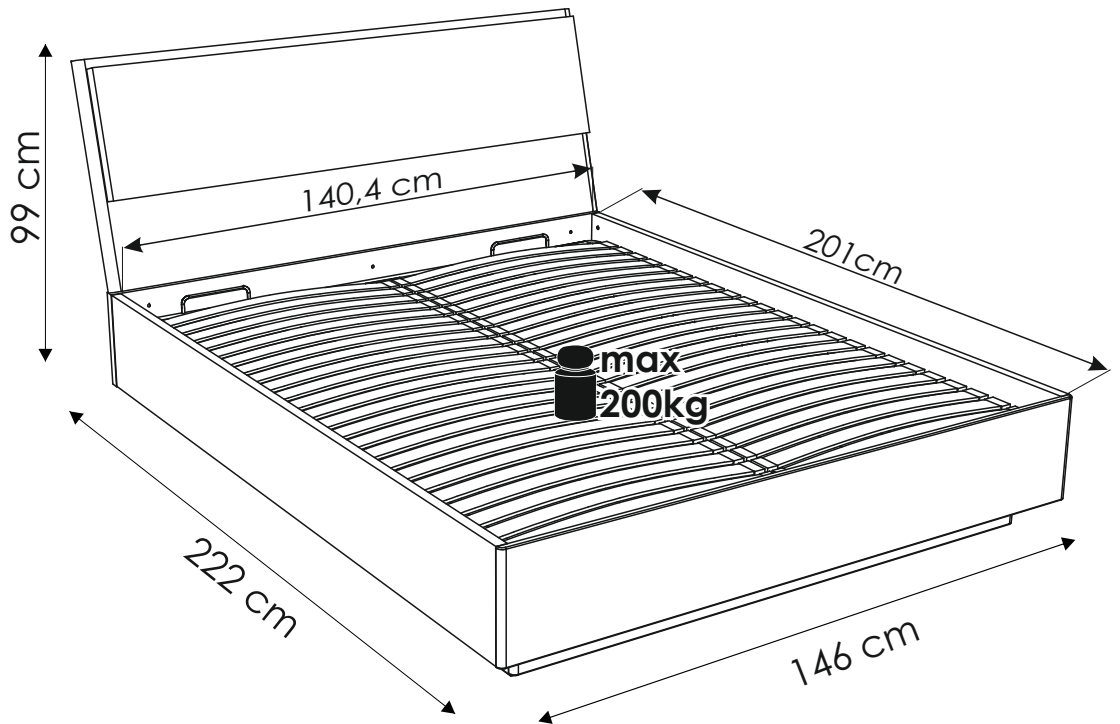
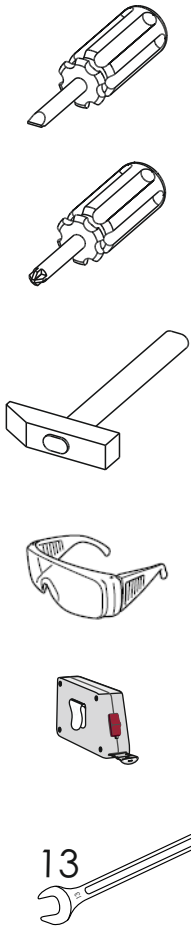
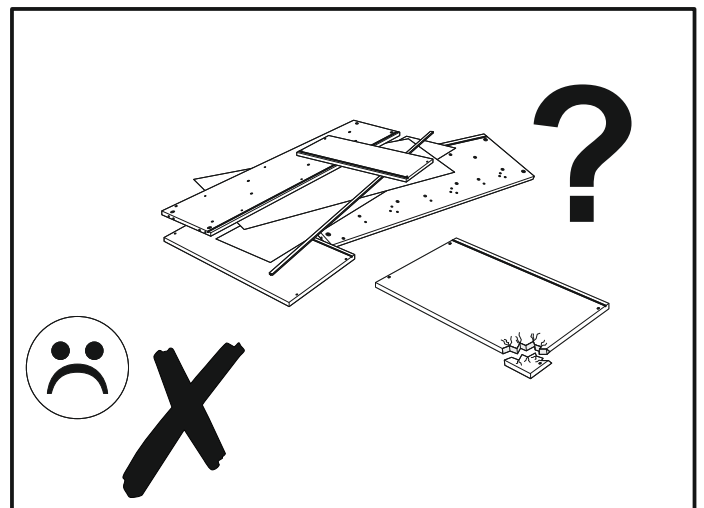
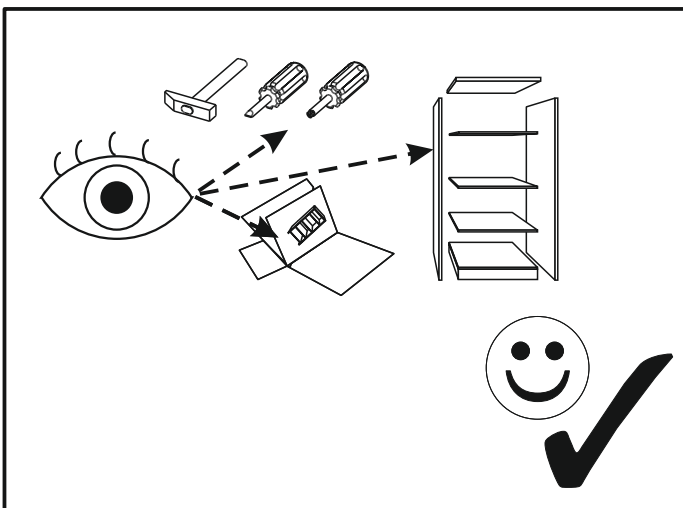
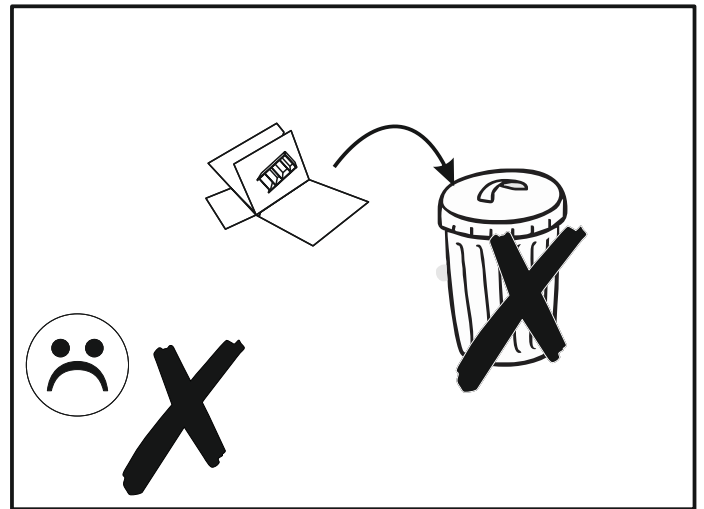
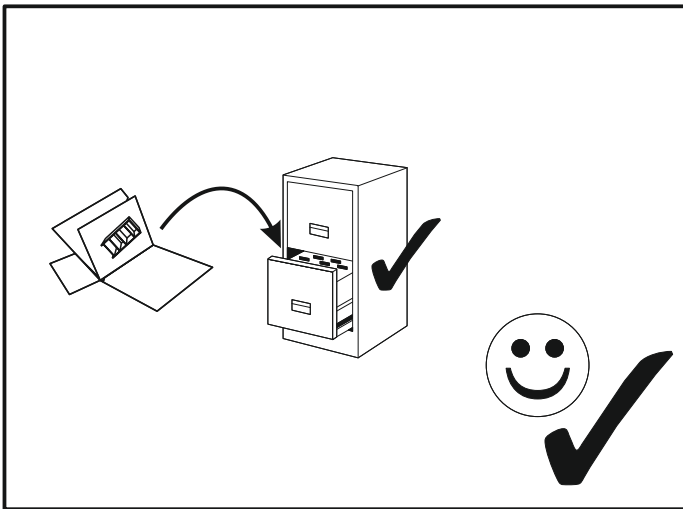
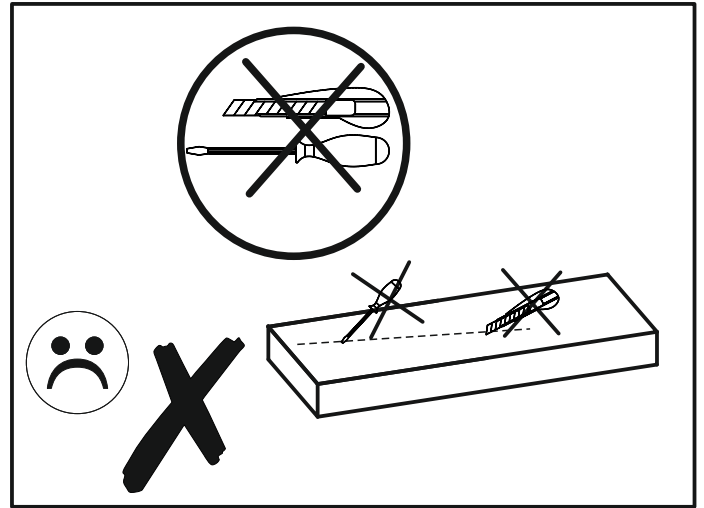
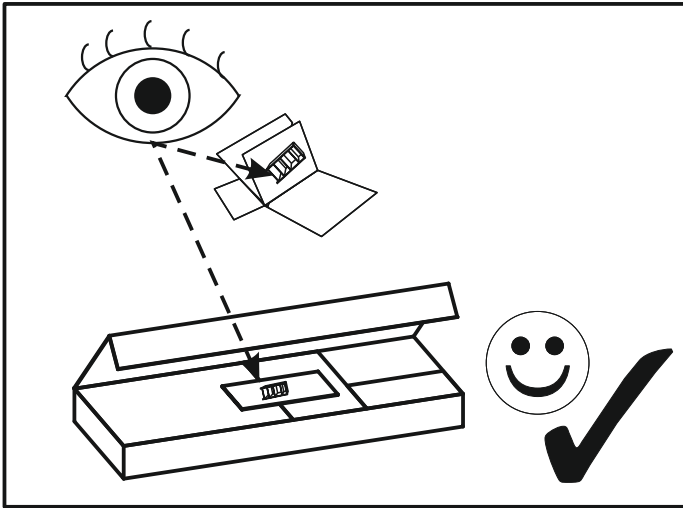
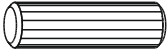
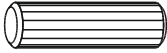
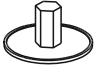









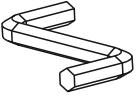
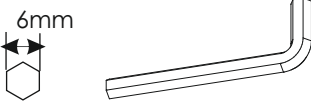
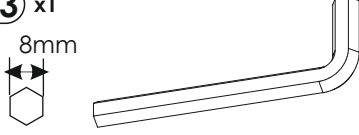



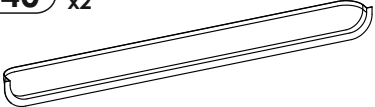


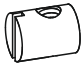
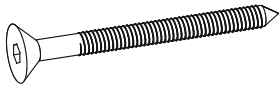

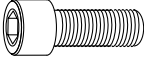


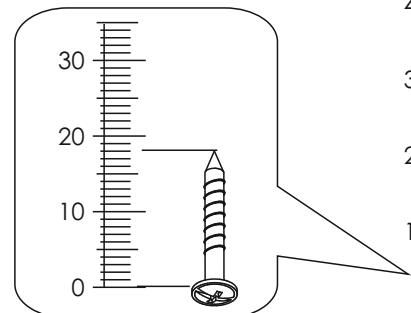
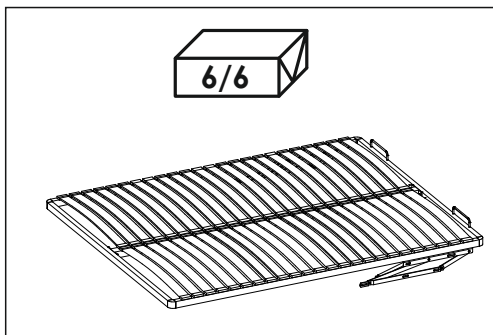
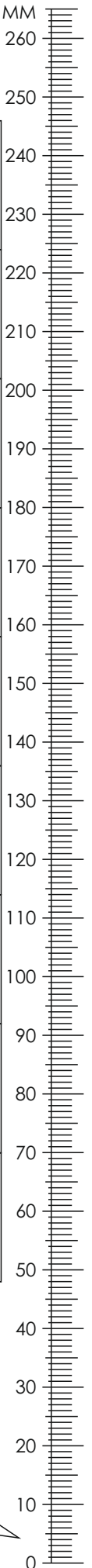


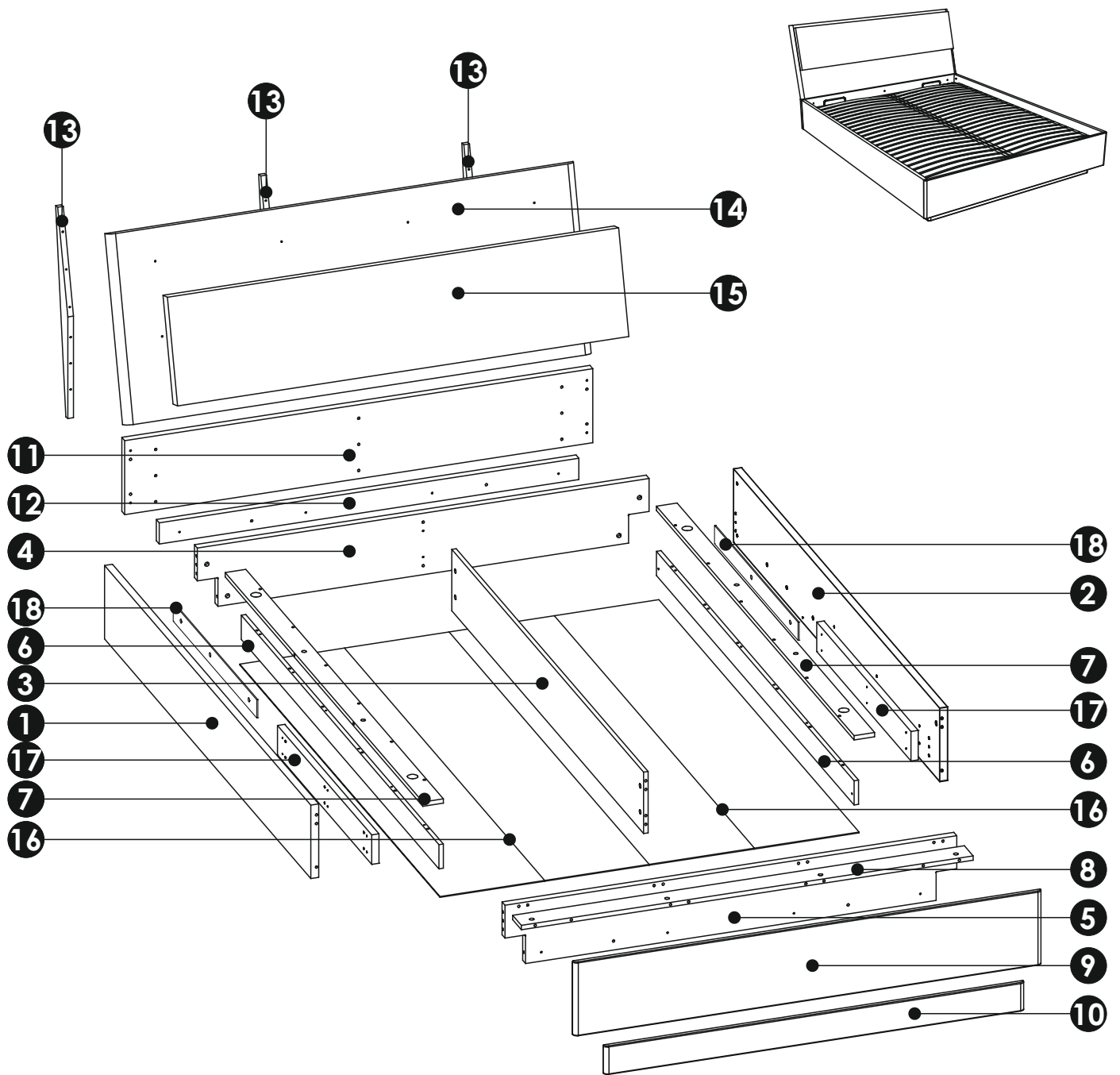
100





<b>A0</b> x16 $\phi 8 \times 24$ mm 	<b>A1</b> x40 $\phi 8 \times 35$ mm 	<b>E0</b> x22 
<b>E1</b> x22 	<b>F1</b> x22 	<b>G0</b> x25 
<b>G1</b> x12 $\phi 7 \times 50$ mm 	<b>G2</b> x13 $\phi 7 \times 60$ mm 	<b>I5</b> x12 4 x 45 mm 
<b>I6</b> x20 4 x 40 mm 	<b>I7</b> x9 4 x 35 mm 	<b>I15</b> x10 3,5 x 16 mm 
<b>M</b> x1 	<b>M2</b> x1 6mm 	<b>M3</b> x1 8mm 
<b>N1</b> x100 3 x 16mm 	<b>O21</b> x25 	<b>P16</b> x12 
<b>P40</b> x2 	<b>R1</b> x13 	<b>R22</b> x6 
<b>S1</b> x4 	<b>S2</b> x4 M6x70 	<b>S18</b> x6 
<b>S20</b> x6 M8x25 	<b>W16</b> x4 	<b>O2A</b> $\phi 20$ x12 

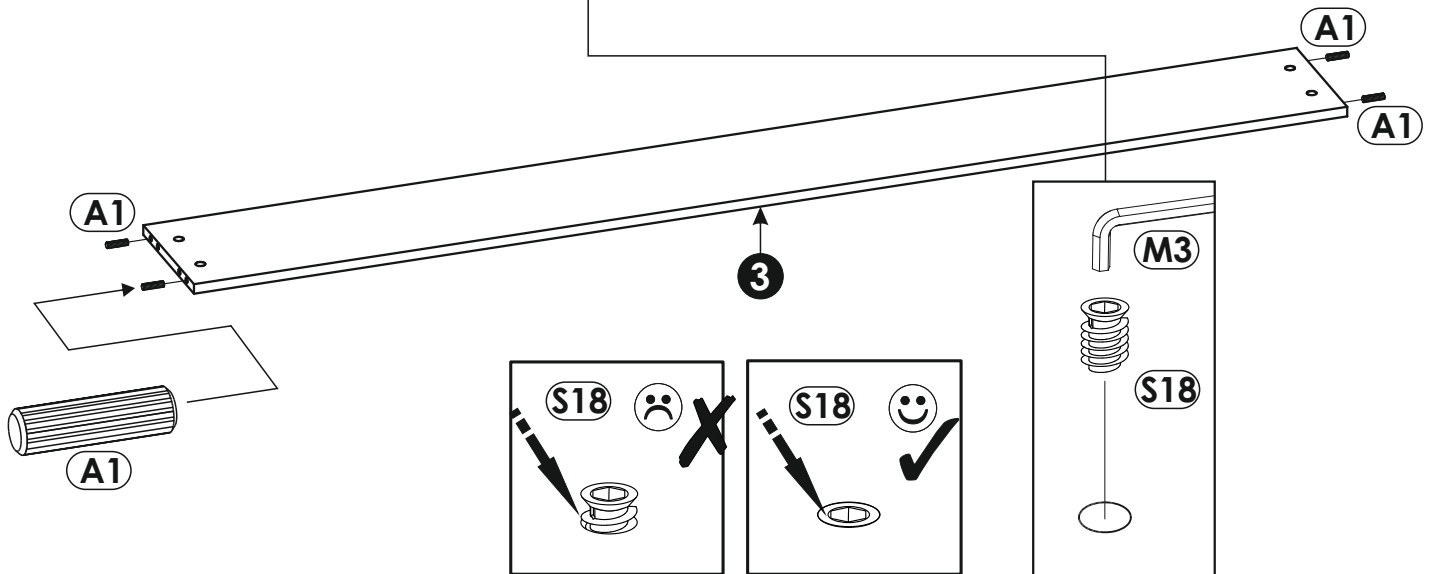
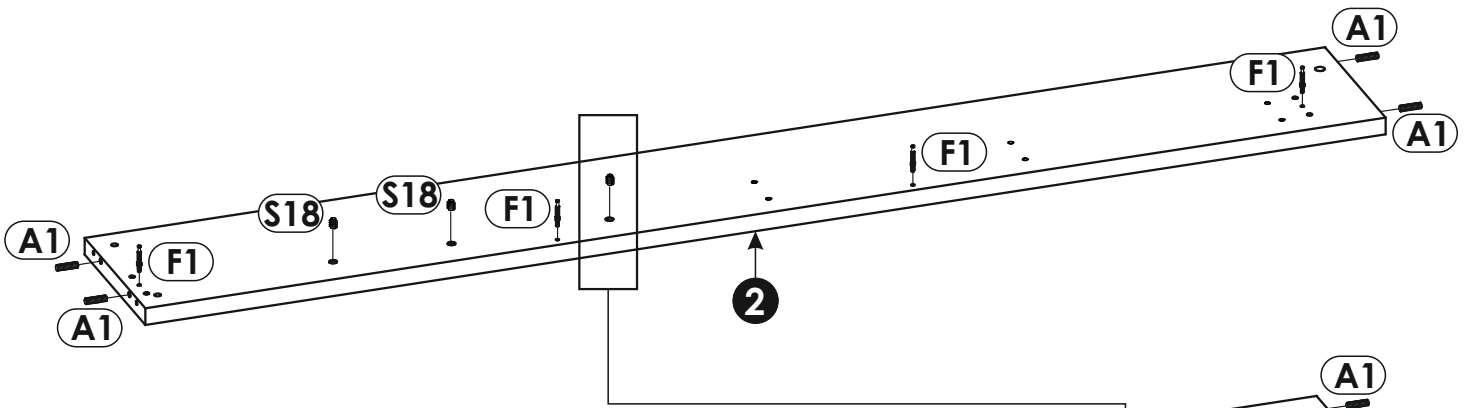
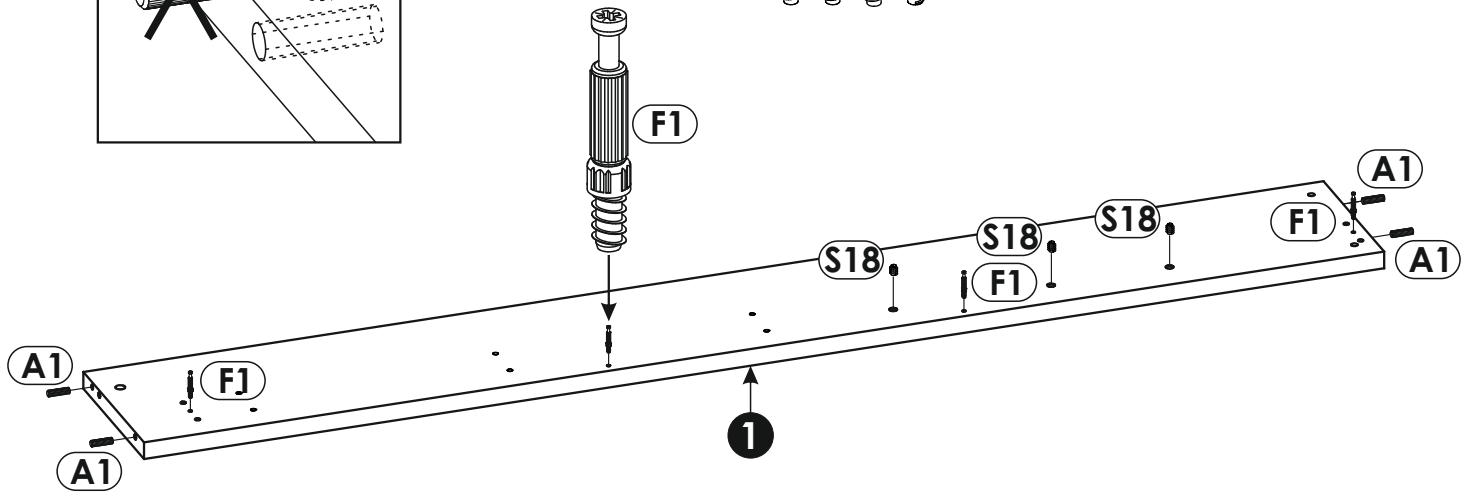
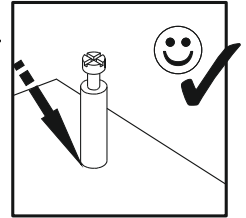
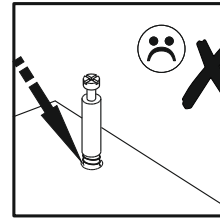
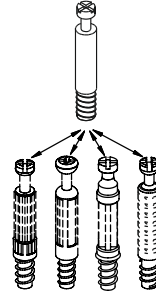
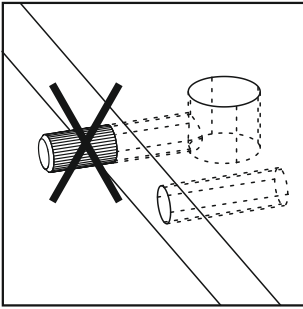
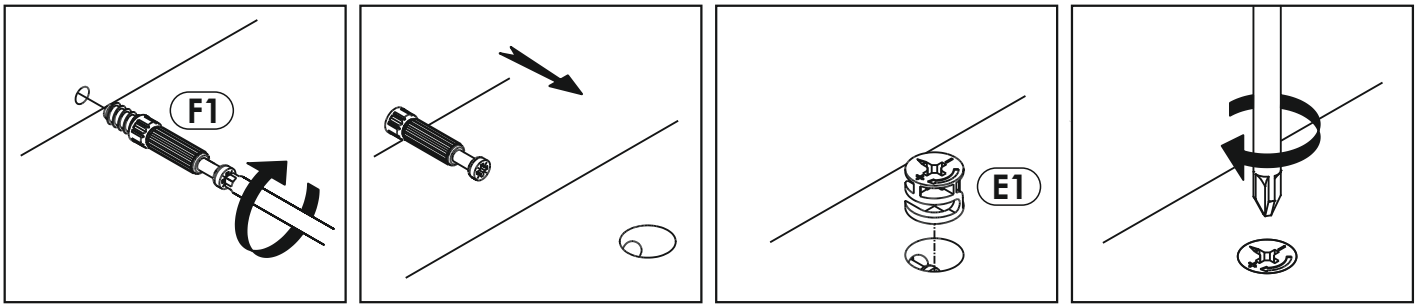




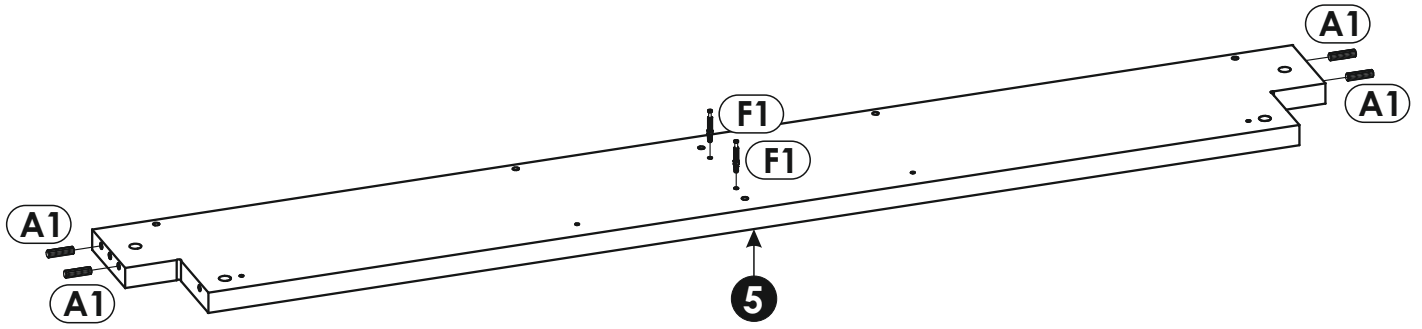
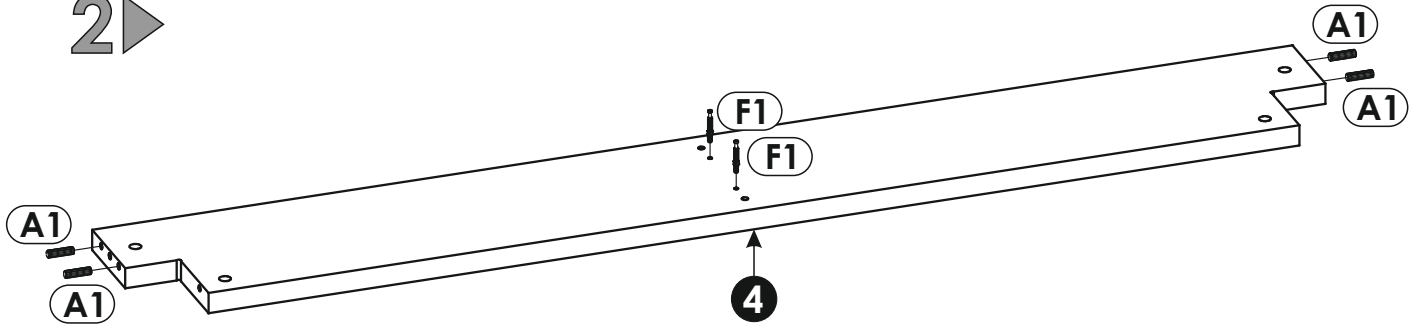
<b>1</b>	2010	270	28	x1	3/6
<b>2</b>	2010	270	28	x1	3/6
<b>3</b>	1869	226	16	x1	1/6
<b>4</b>	1402	226	28	x1	2/6
<b>5</b>	1402	226	28	x1	2/6
<b>6</b>	1925	89	16	x2	4/6

<b>7</b>	1925	73	16	x2	4/6
<b>8</b>	1402	85	16	x1	1/6
<b>9</b>	1460	272	16	x1	1/6
<b>10</b>	1290	105	16	x1	1/6
<b>11</b>	1460	272	28	x1	1/6
<b>12</b>	1288	78	28	x1	3/6

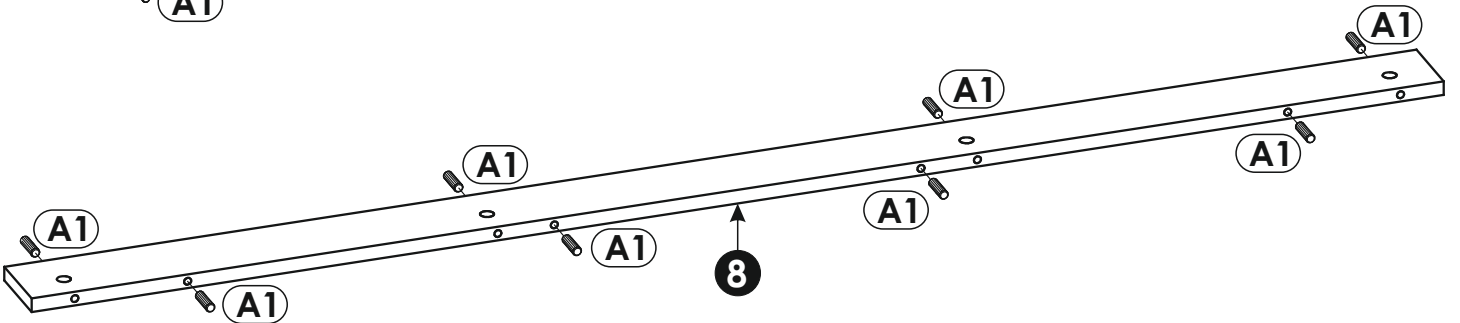
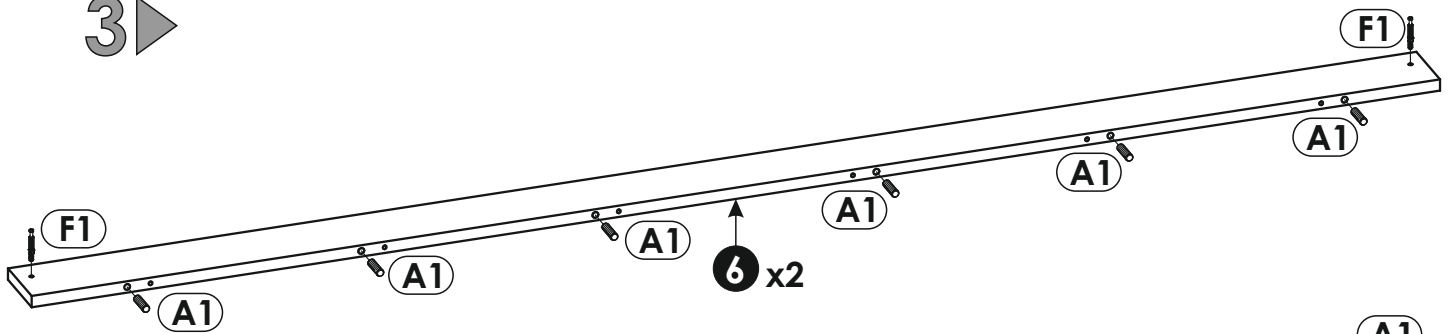
<b>13</b>	740	70	20	x3	4/6
<b>14</b>	1460	650	28	x1	2/6
<b>15</b>	1400	370	45	x1	5/6
<b>16</b>	1950	642	3	x2	4/6
<b>17</b>	1000	100	28	x2	3/6
<b>18</b>	550	45	3	x2	3/6



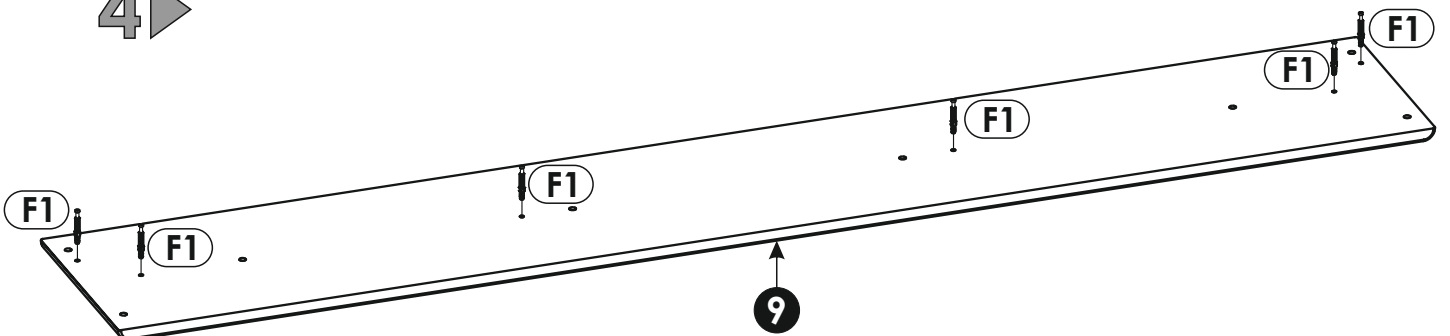
2 ▶



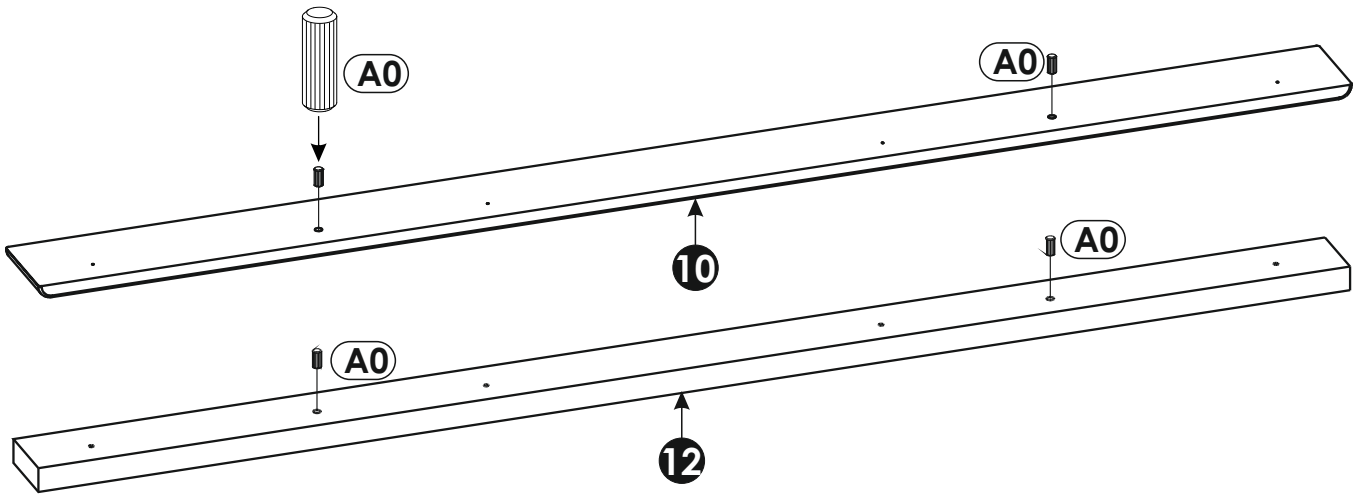
3 ▶



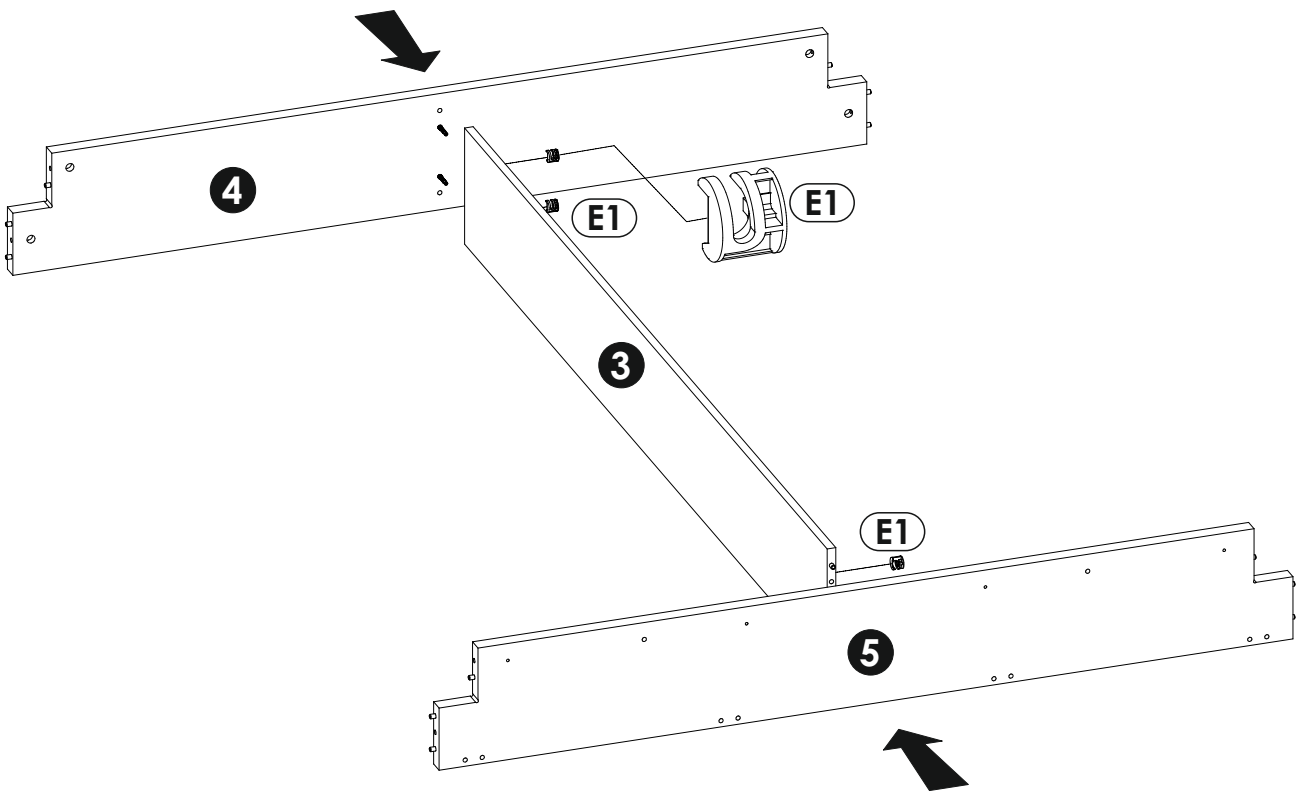
4 ▶



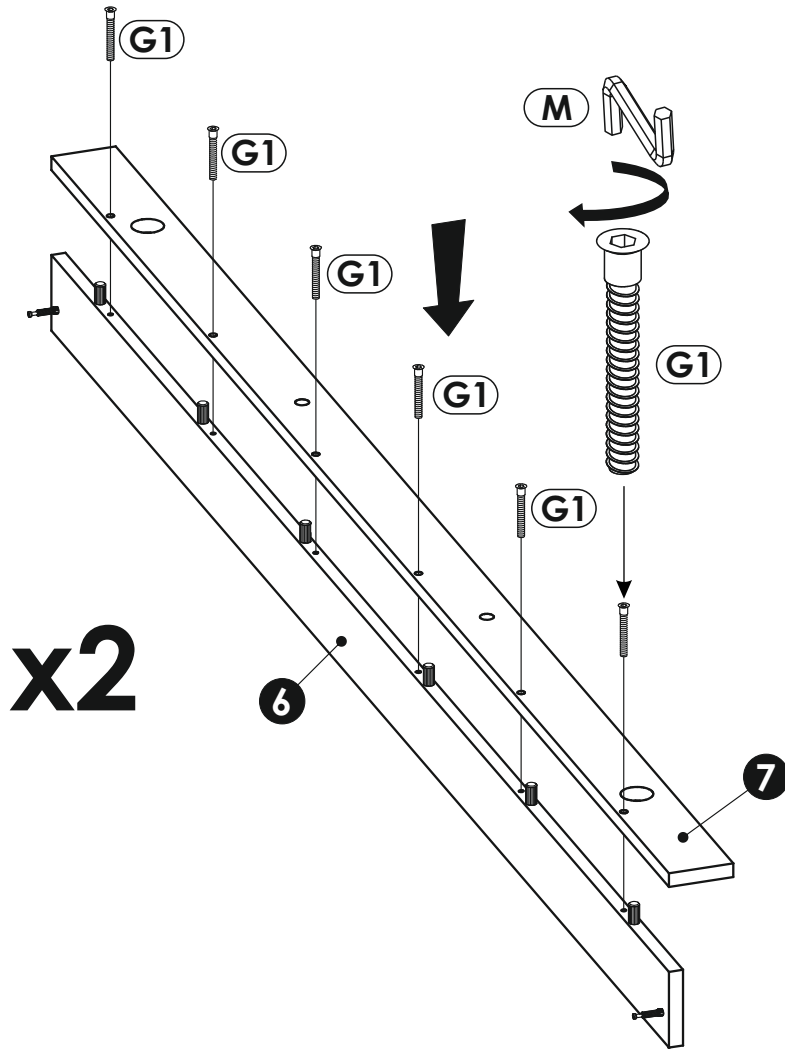
4 ▶



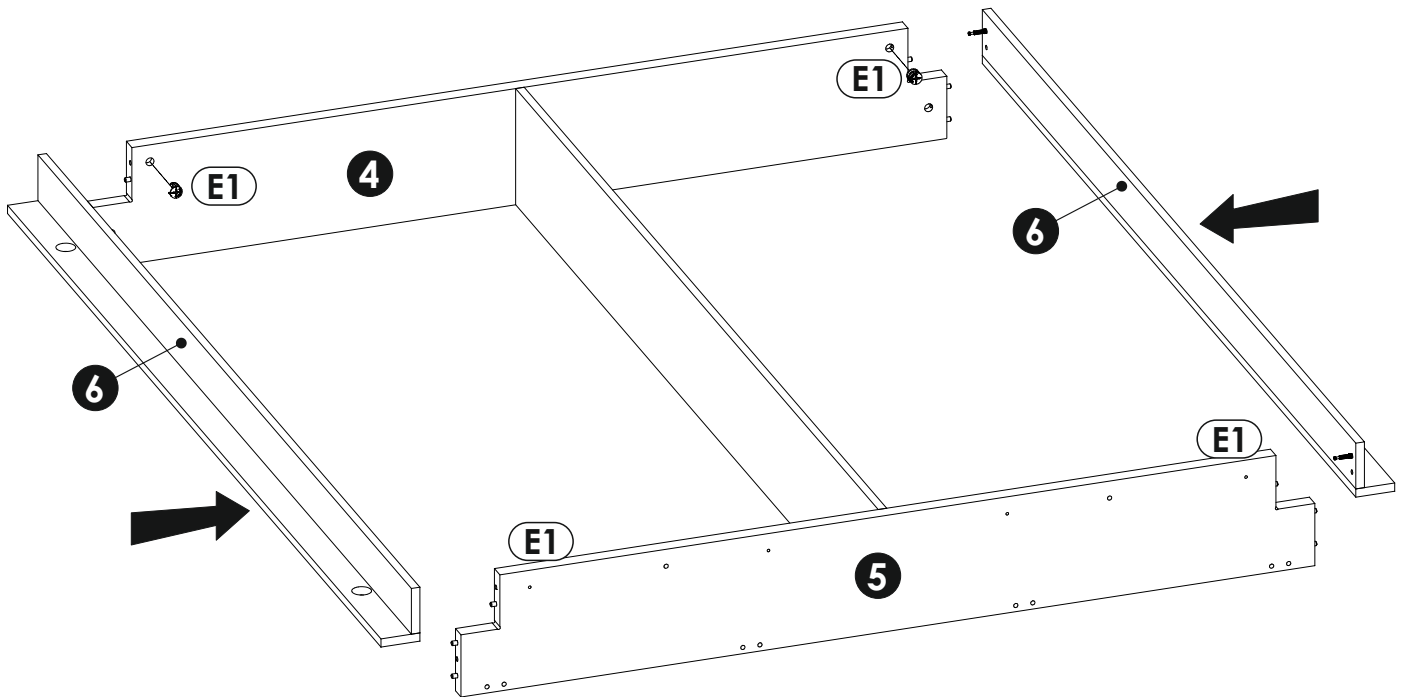
5 ▶



6 ▶

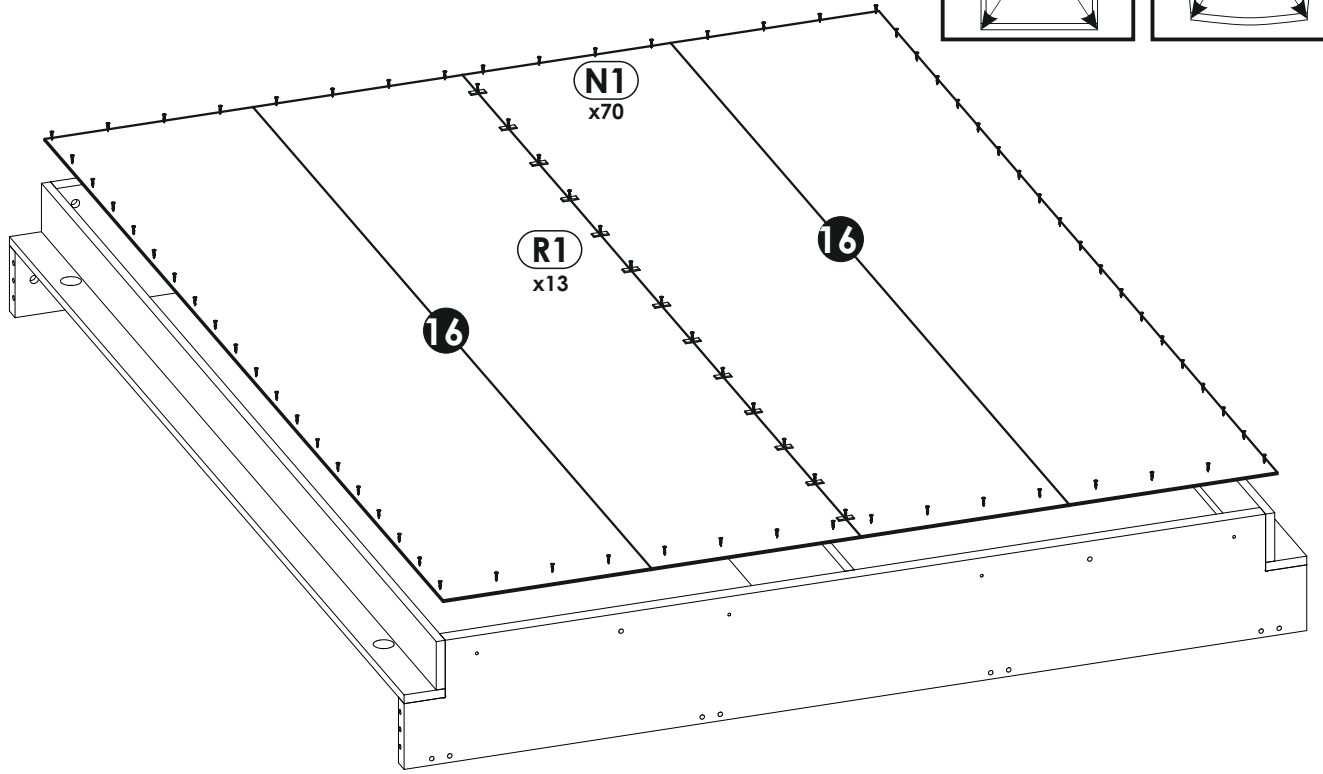
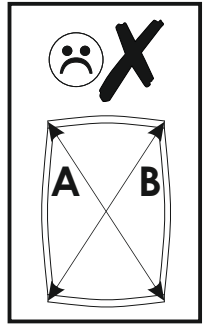
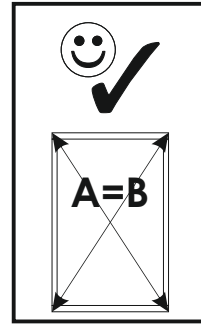
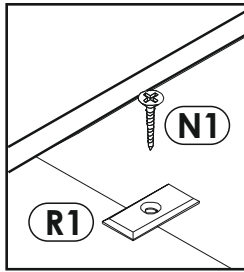
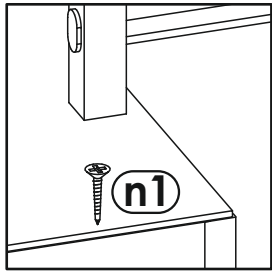


7 ▶

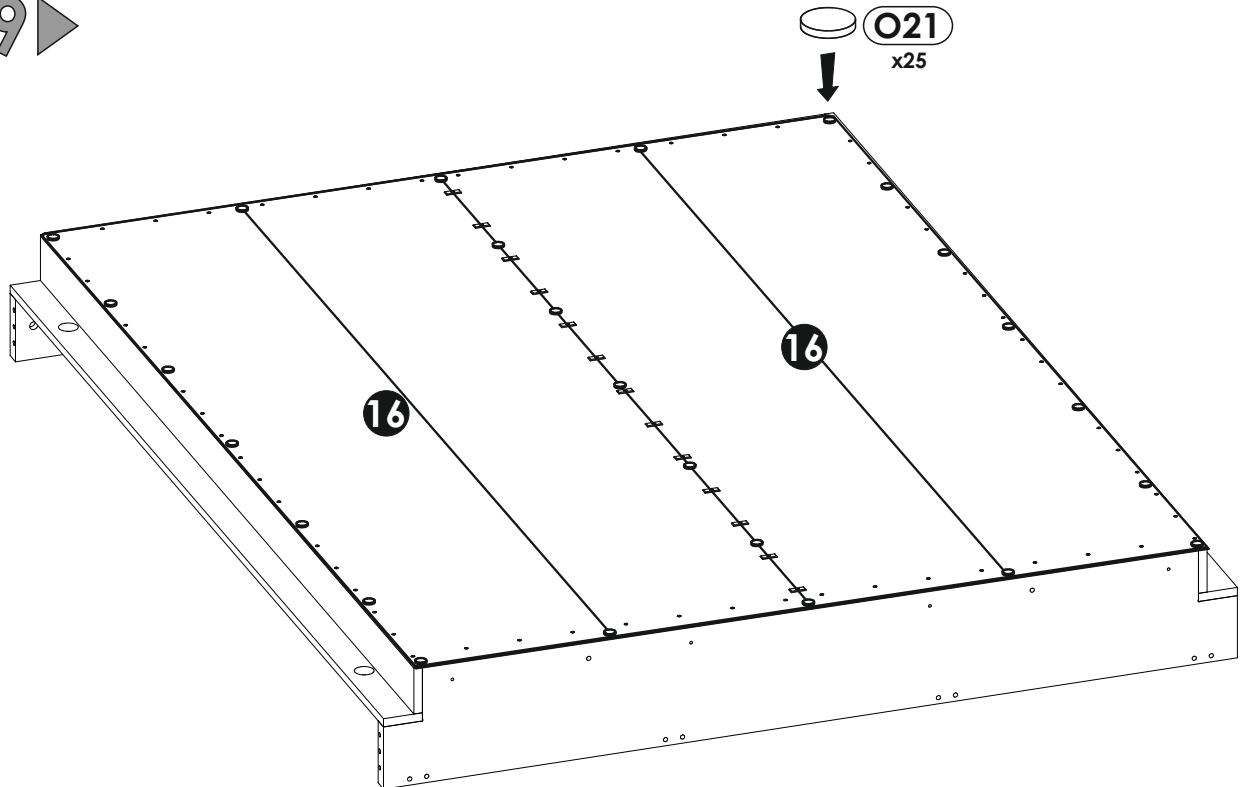




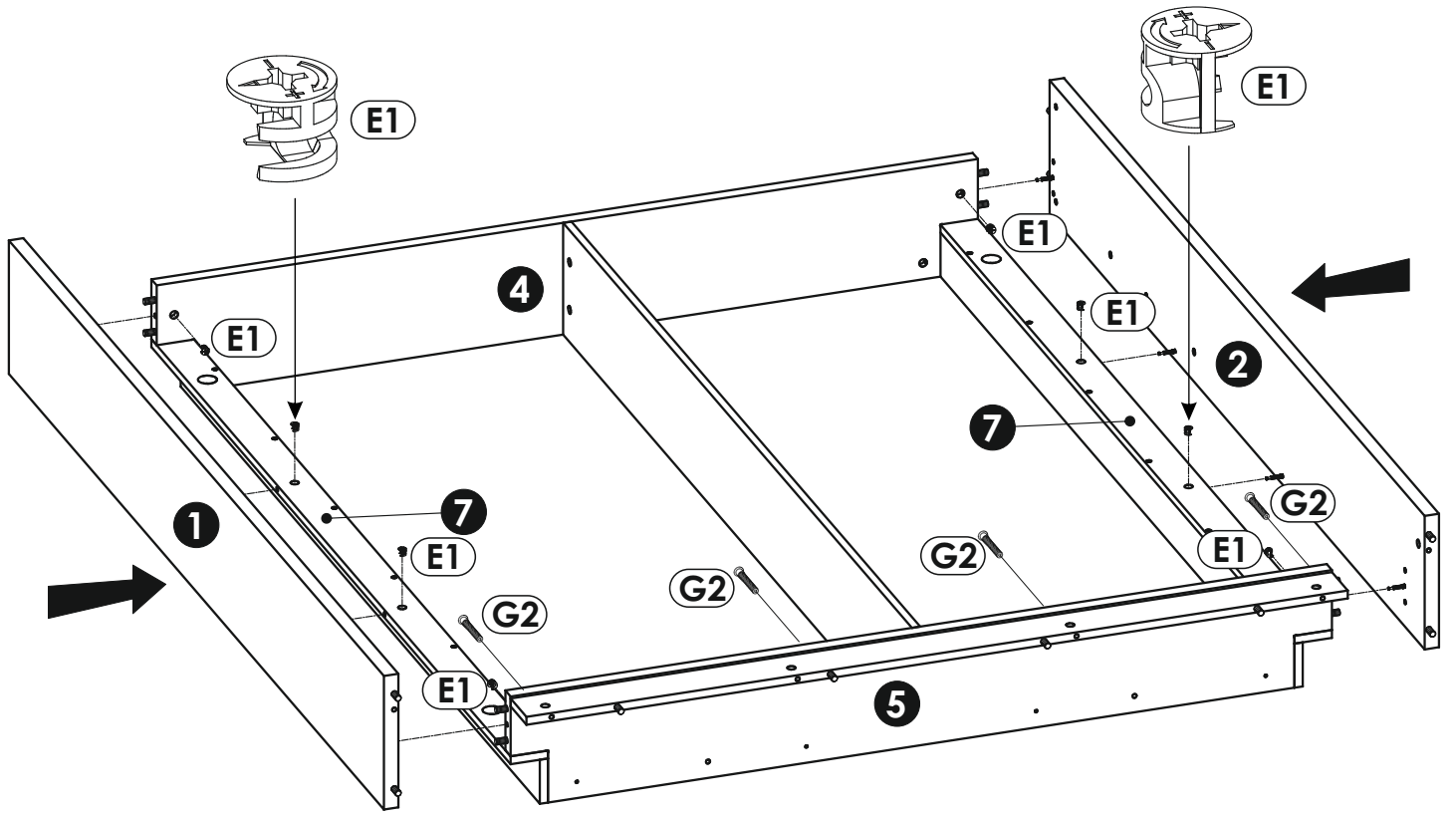
8 ▶



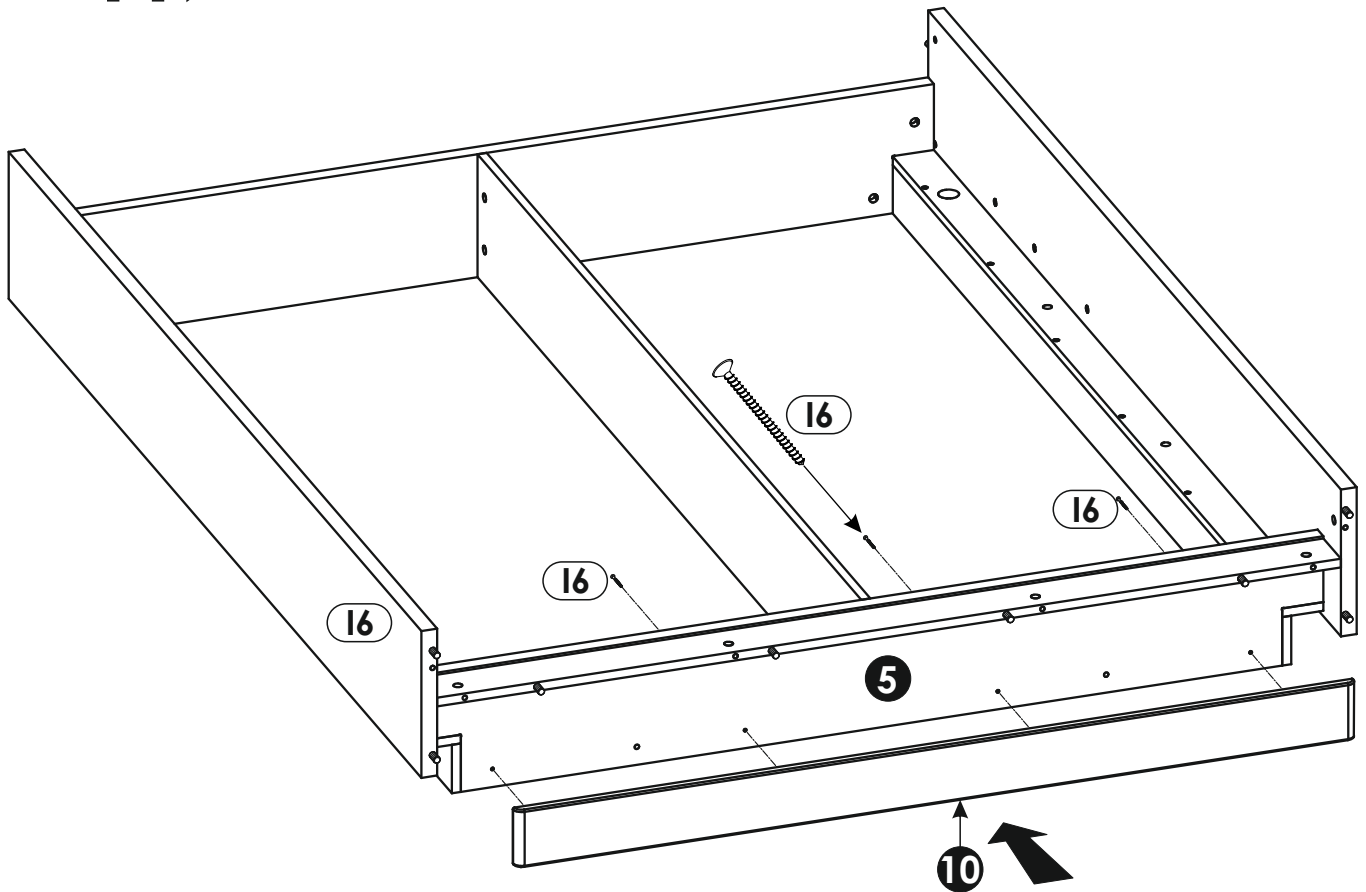
9 ▶



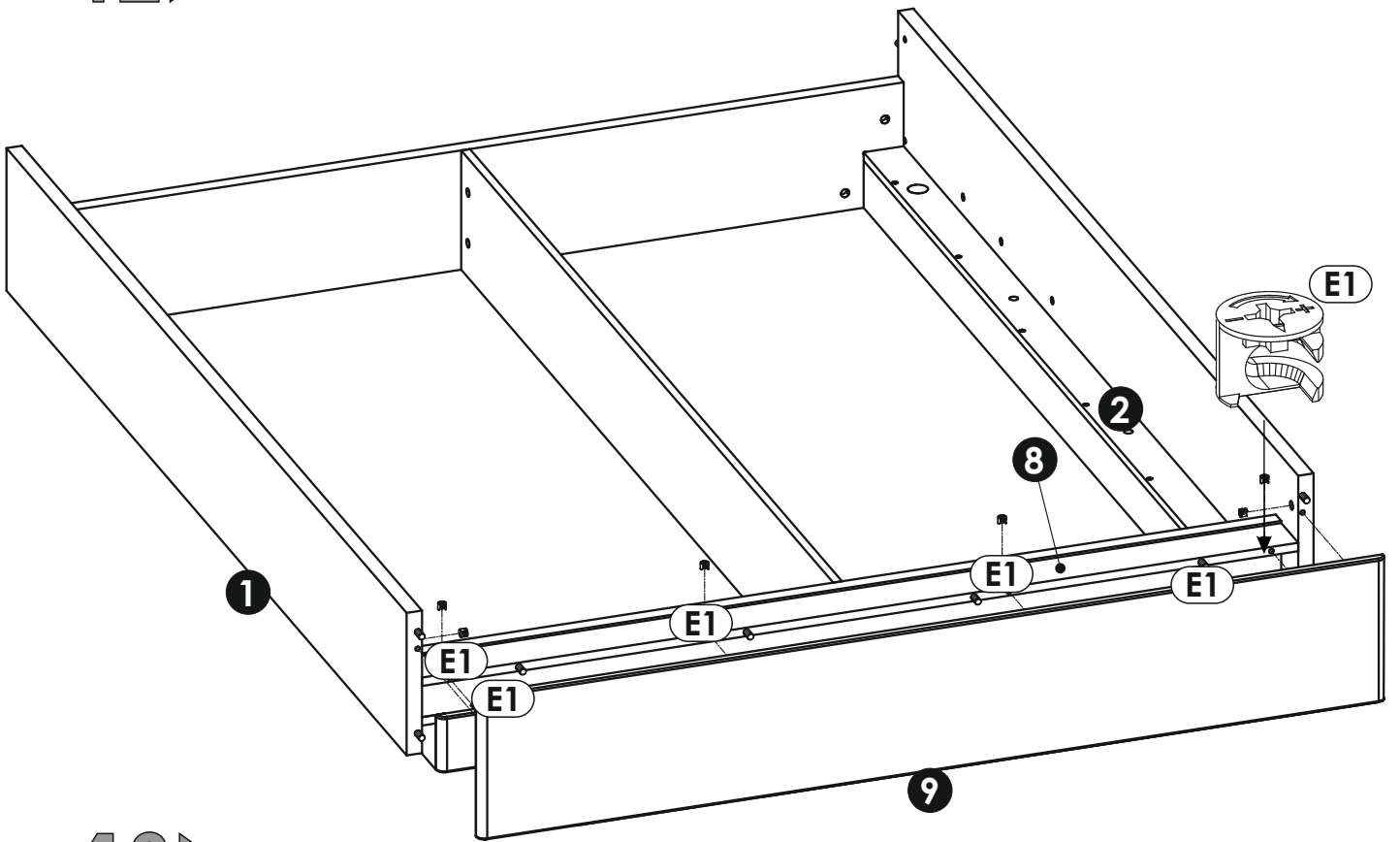
10 ▶



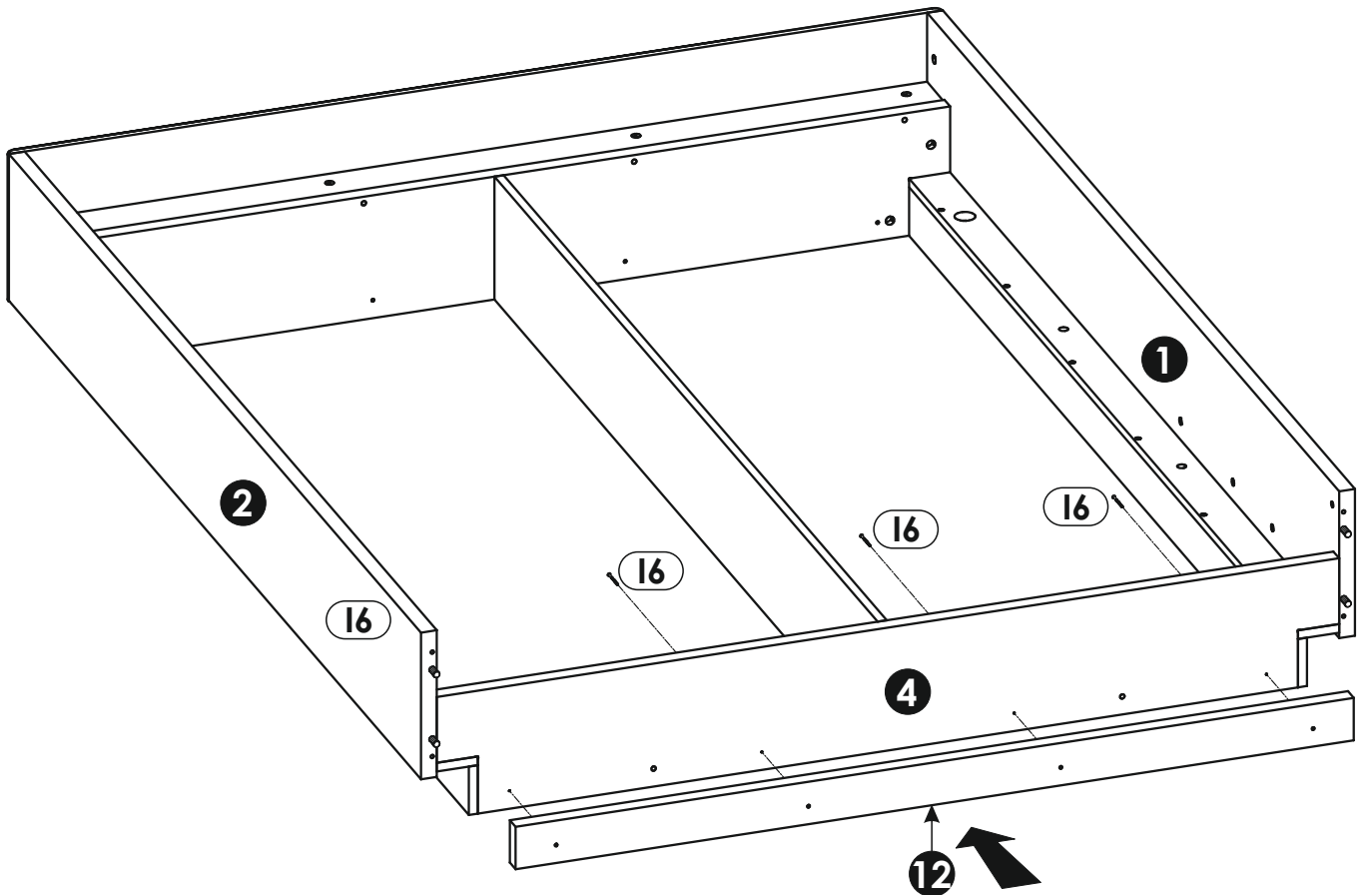
11 ▶



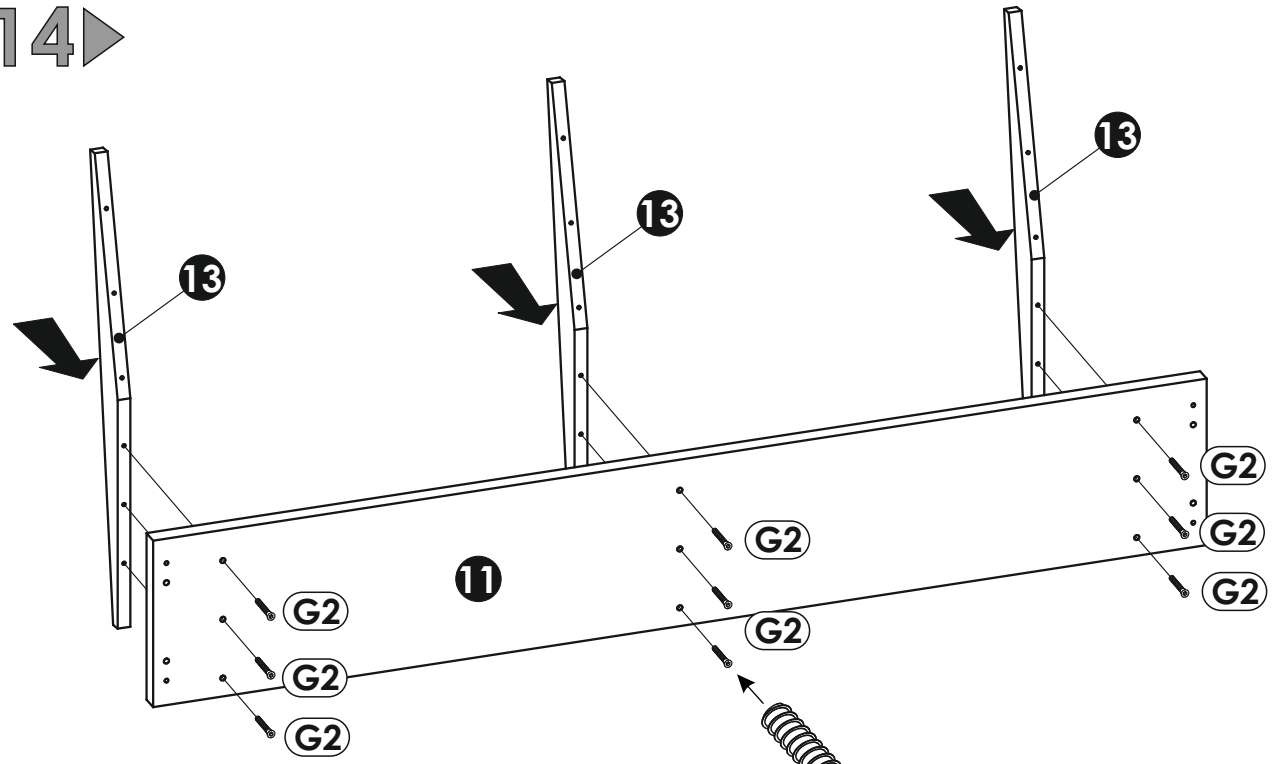
12▶



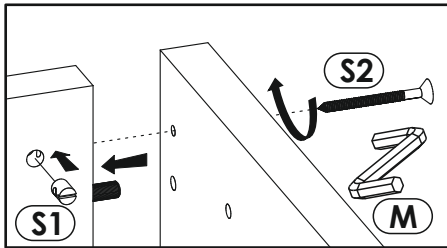
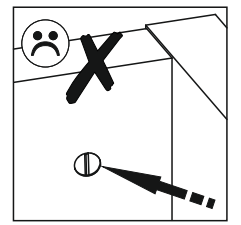
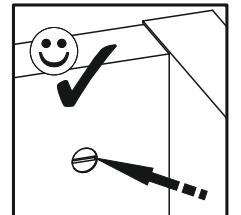
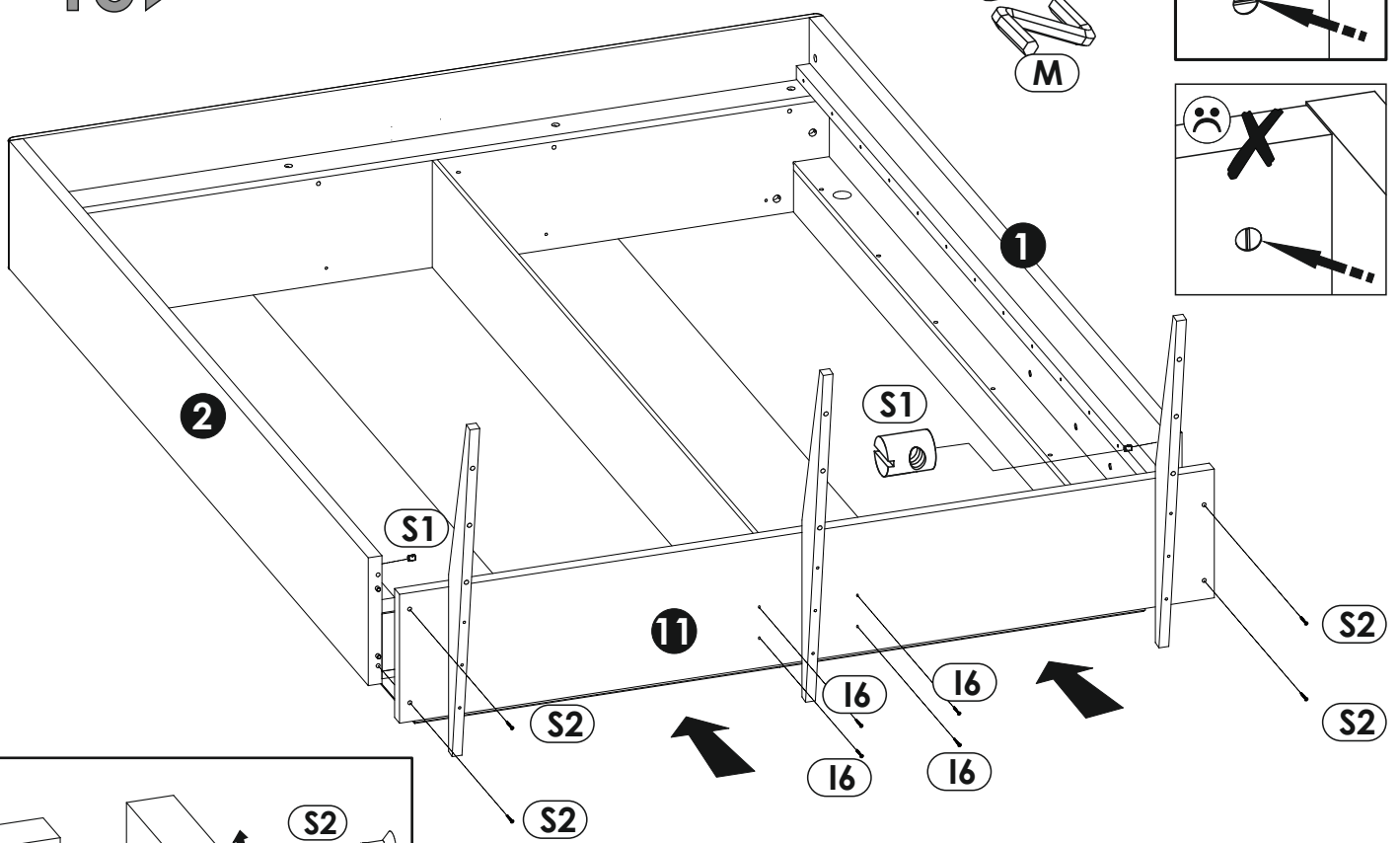
13▶



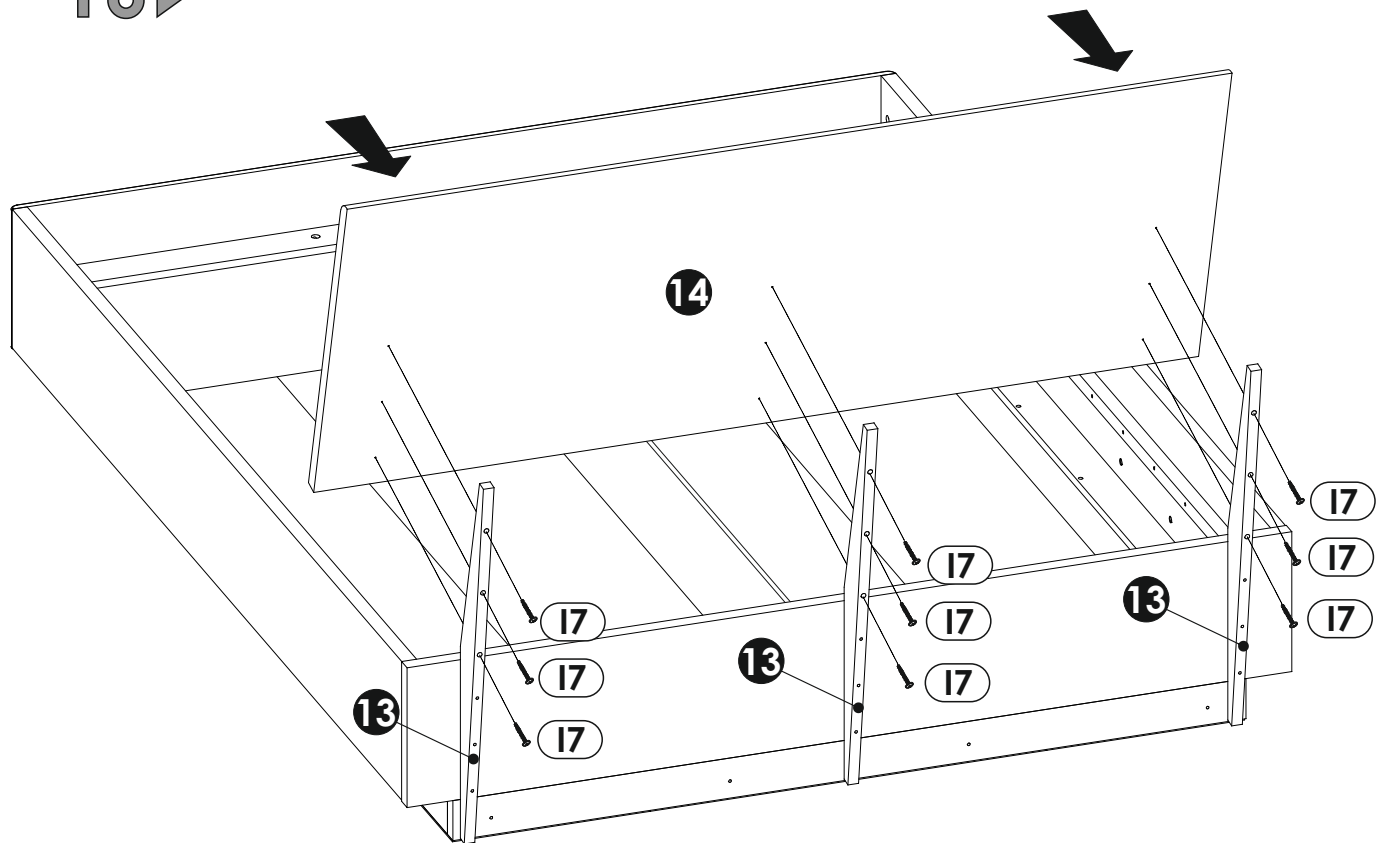
14 ▶



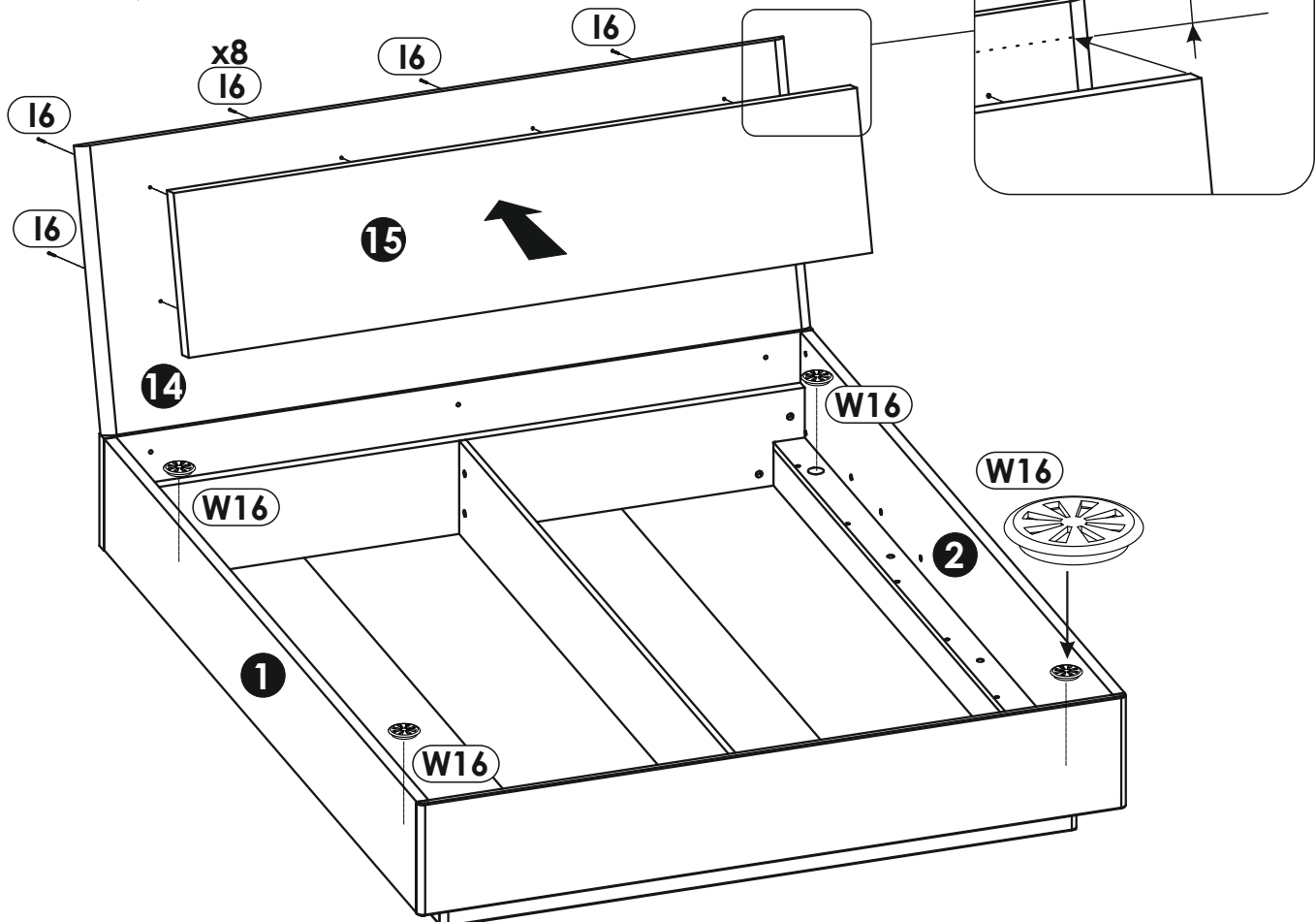
15 ▶



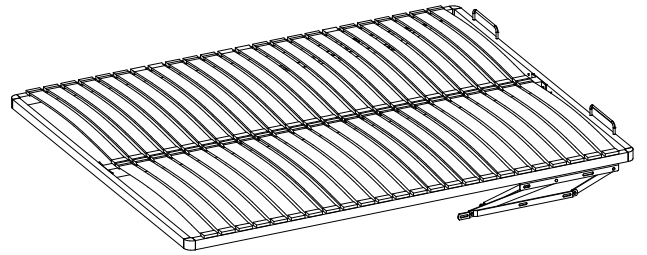
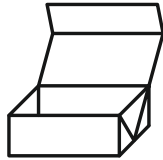
16 ▶



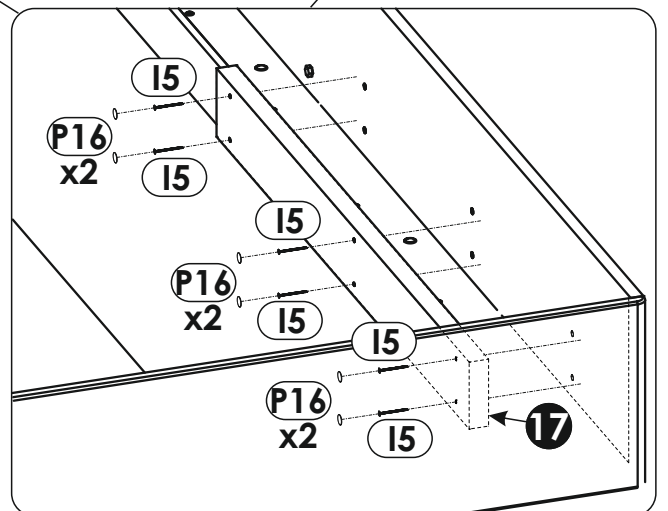
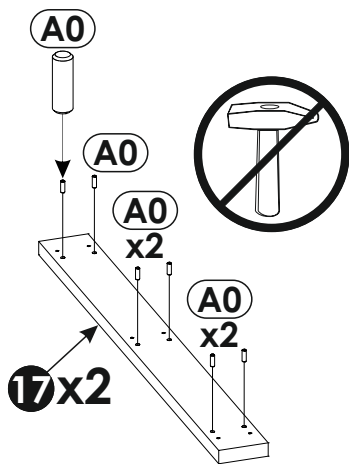
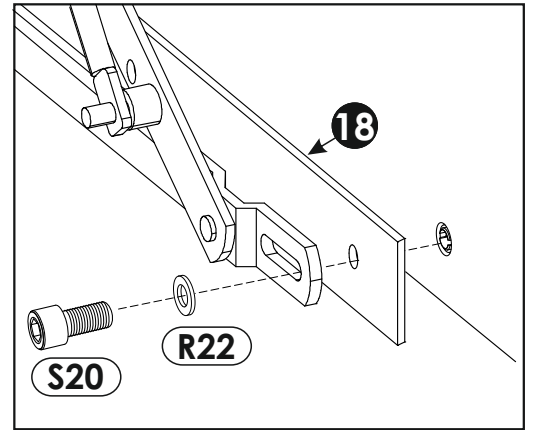
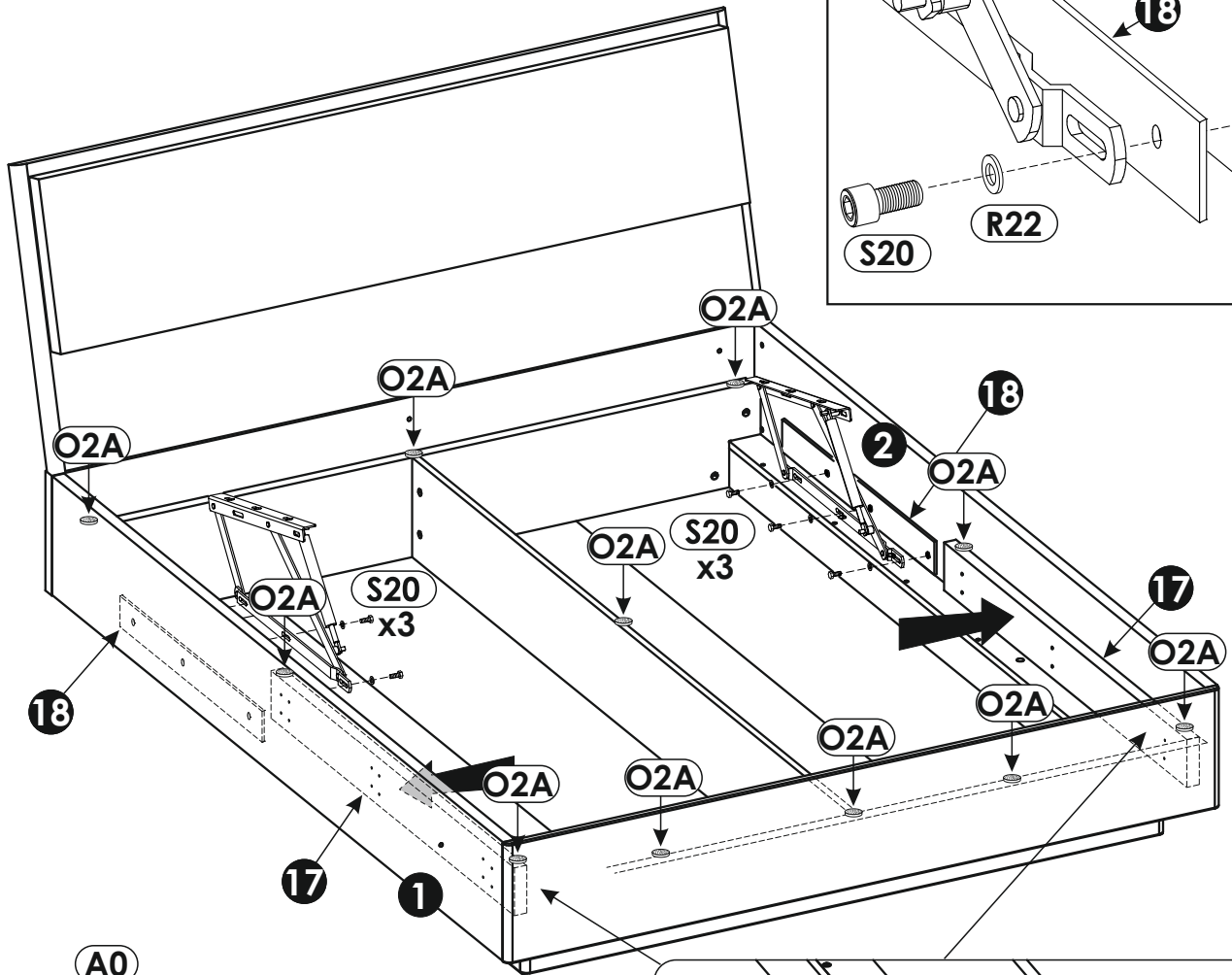
17 ▶



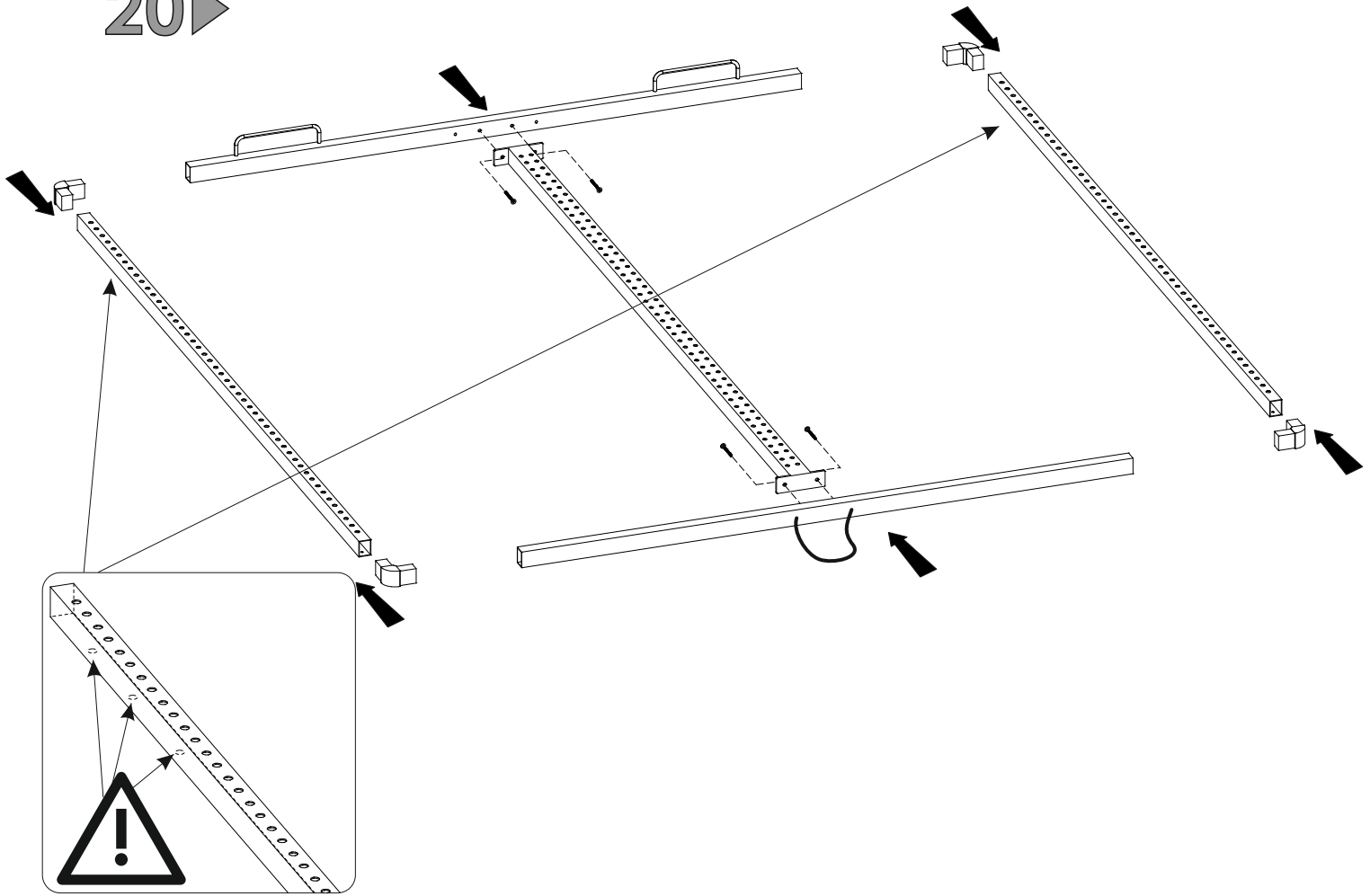
18▶



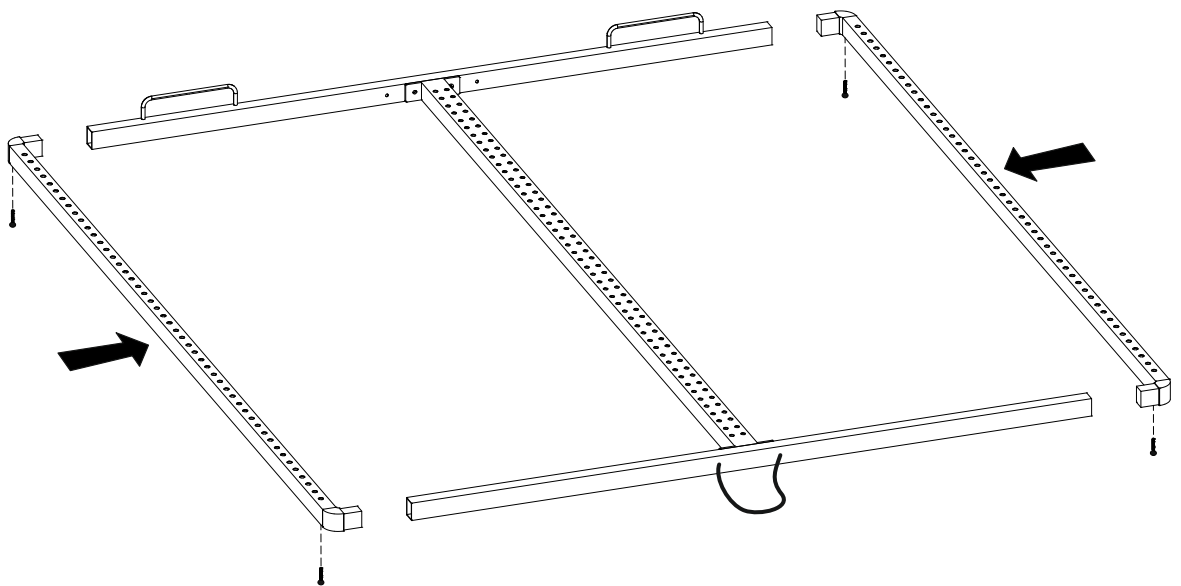
19▶



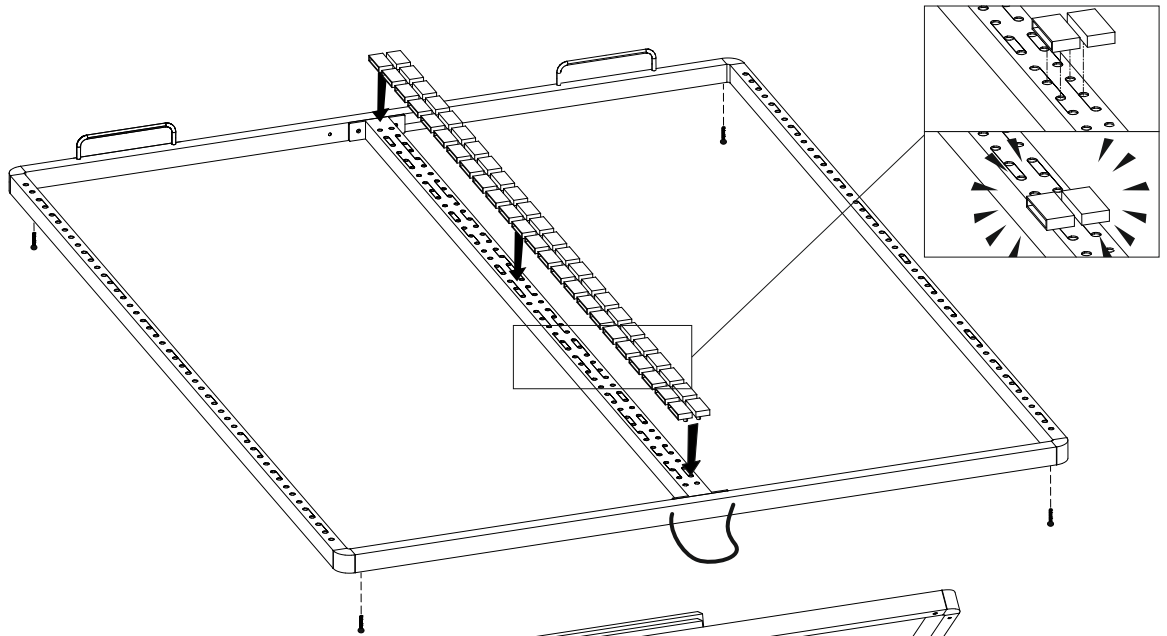
20 ▶



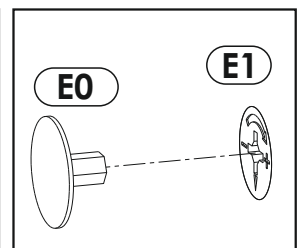
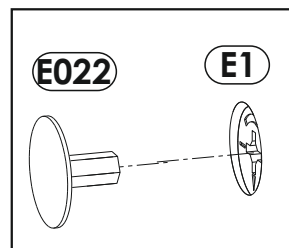
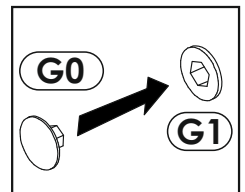
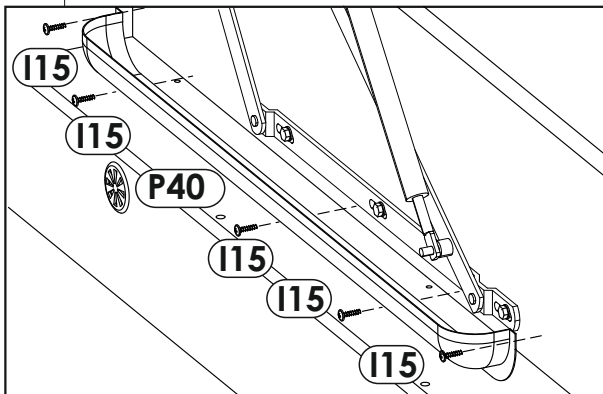
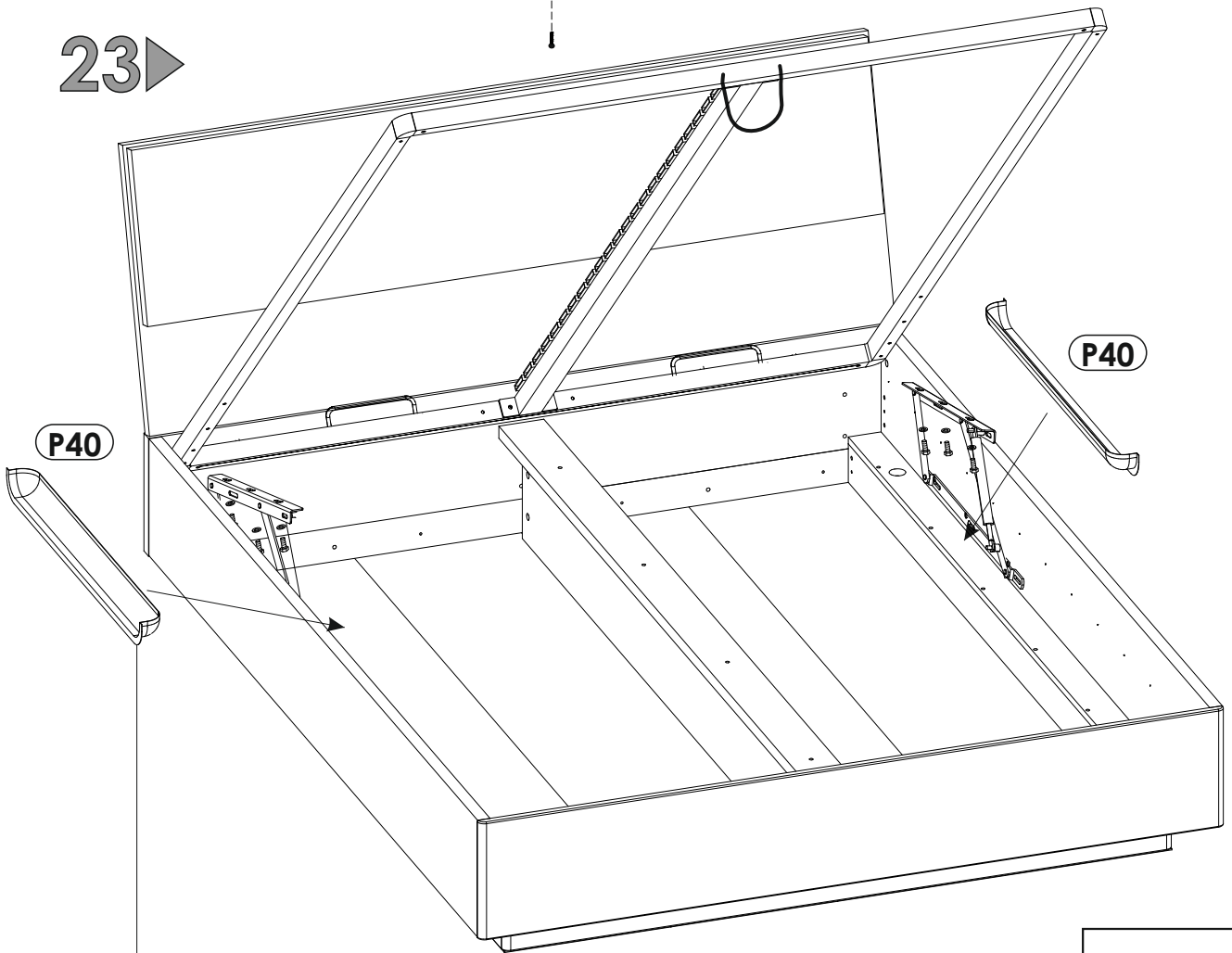
21 ▶



22 ▶

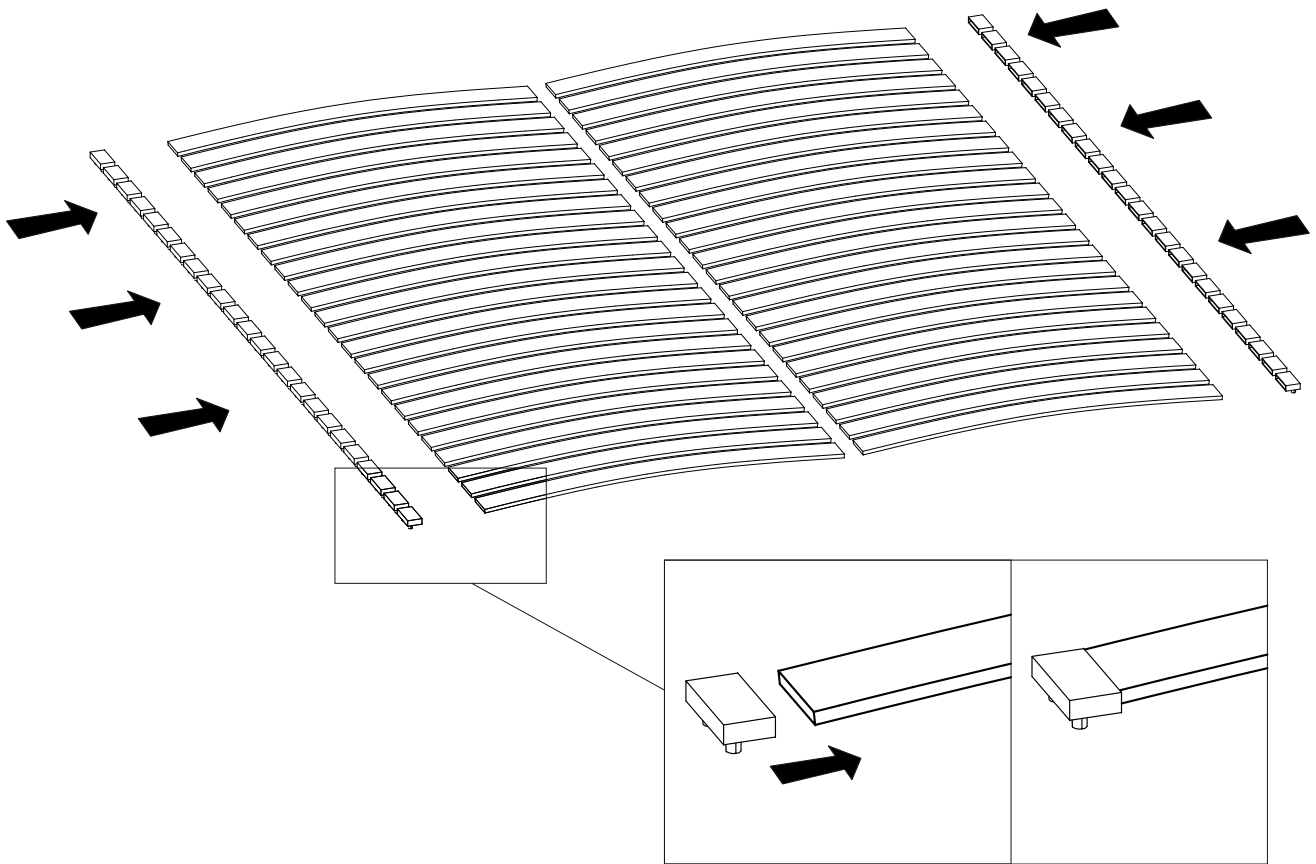


23 ▶

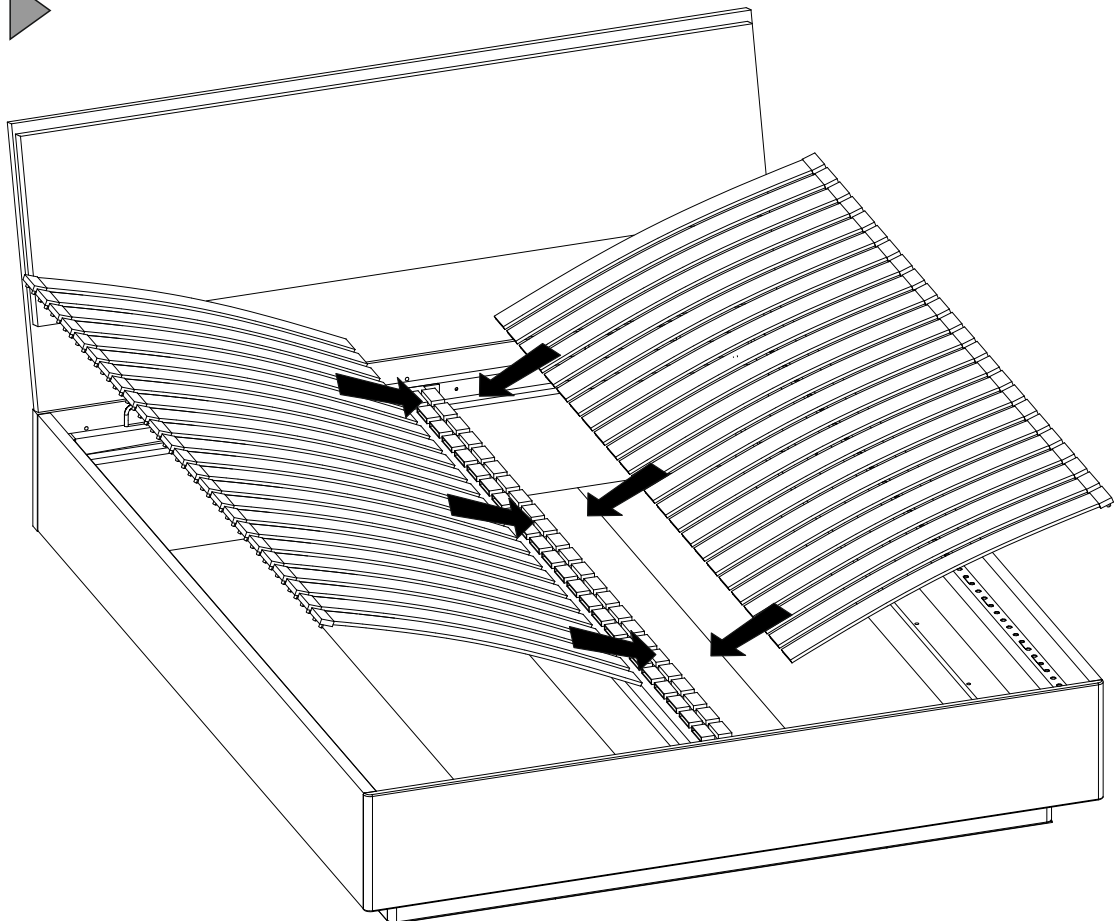




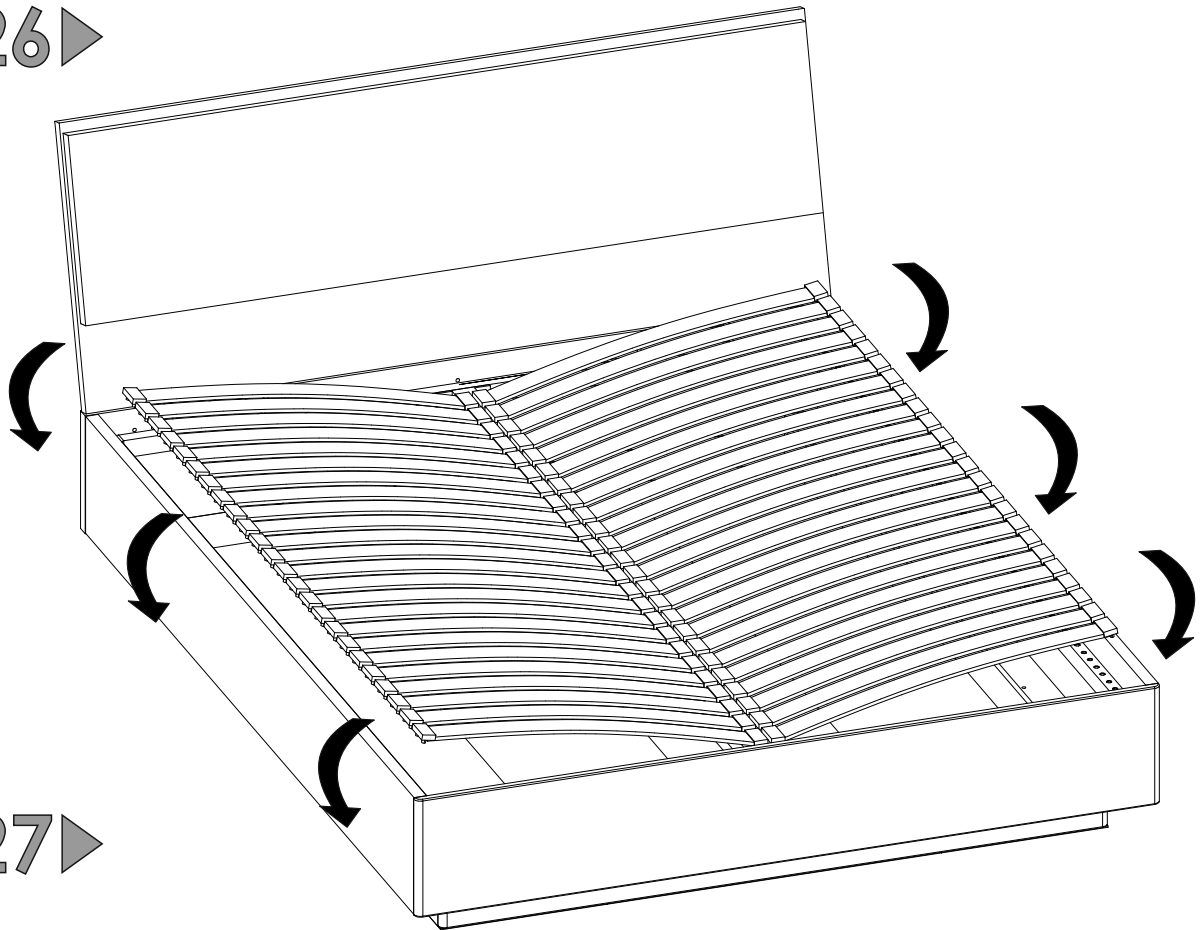
24▶



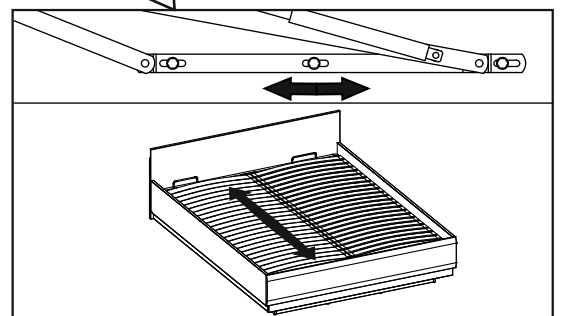
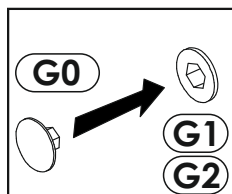
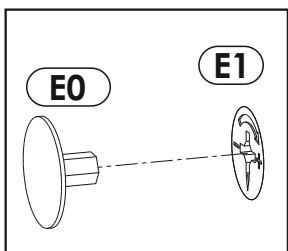
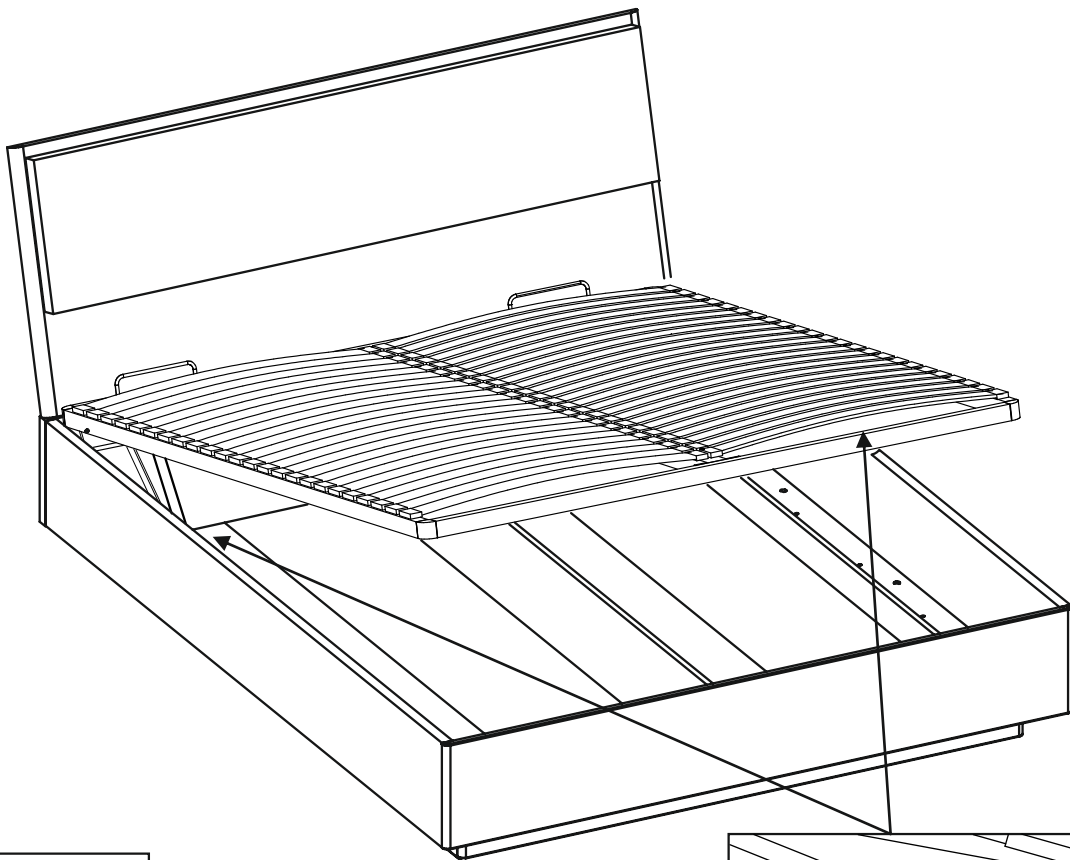
25▶



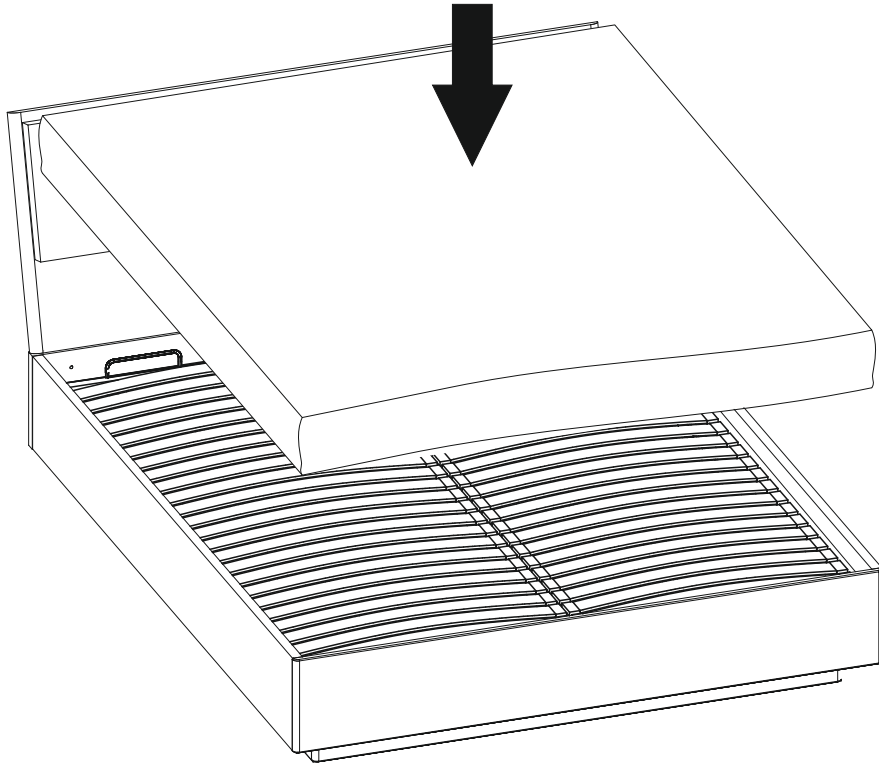
26 ▶



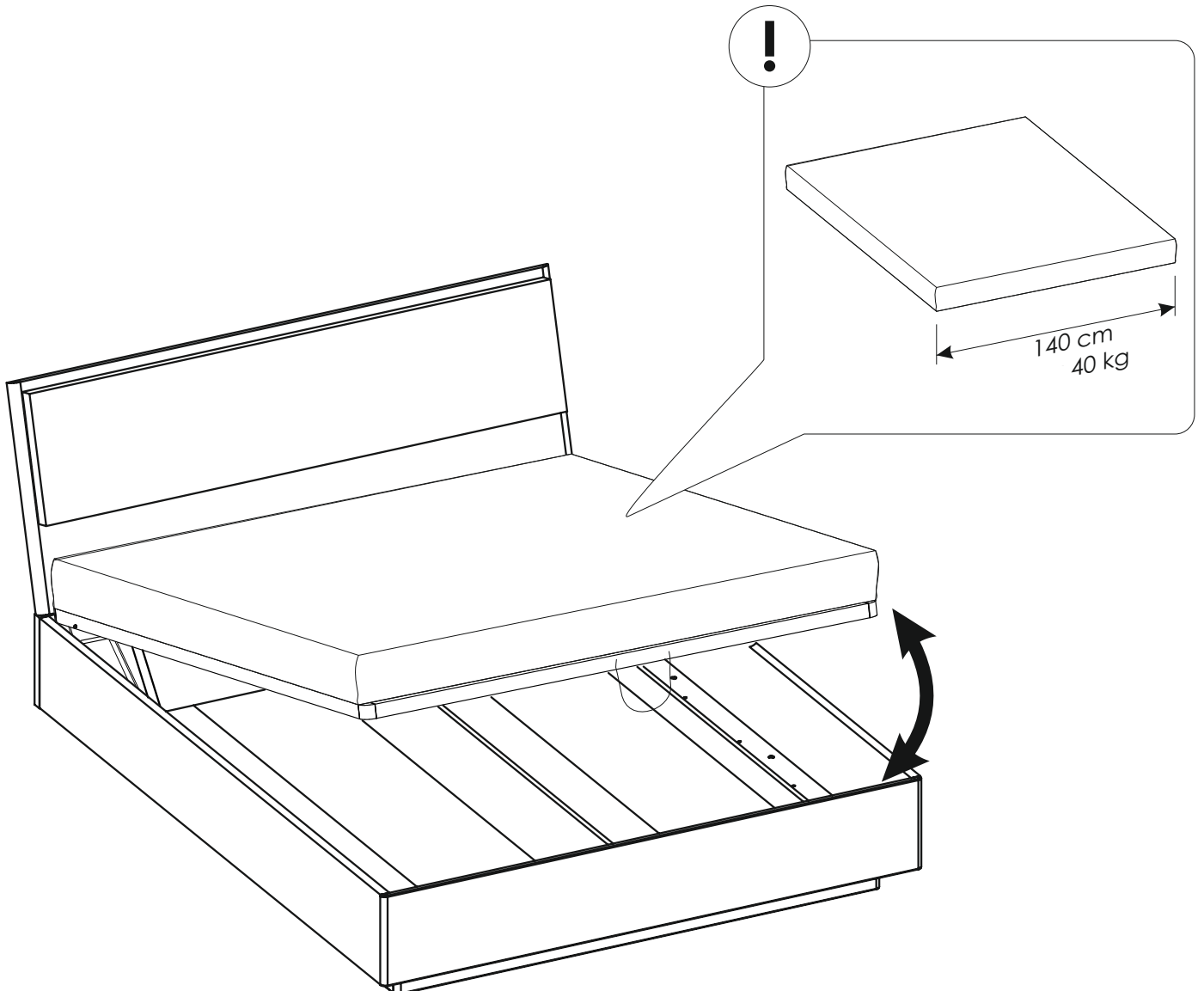
27 ▶

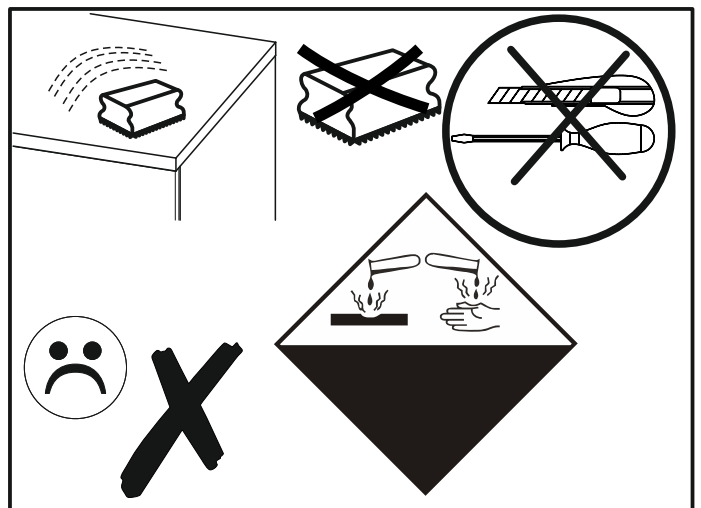
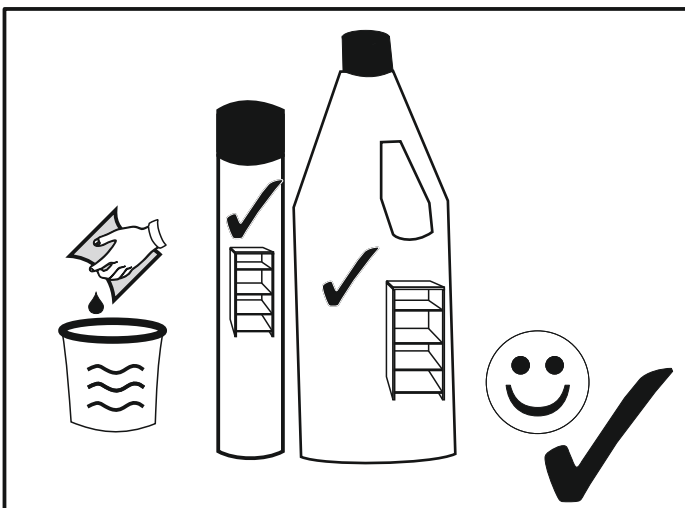
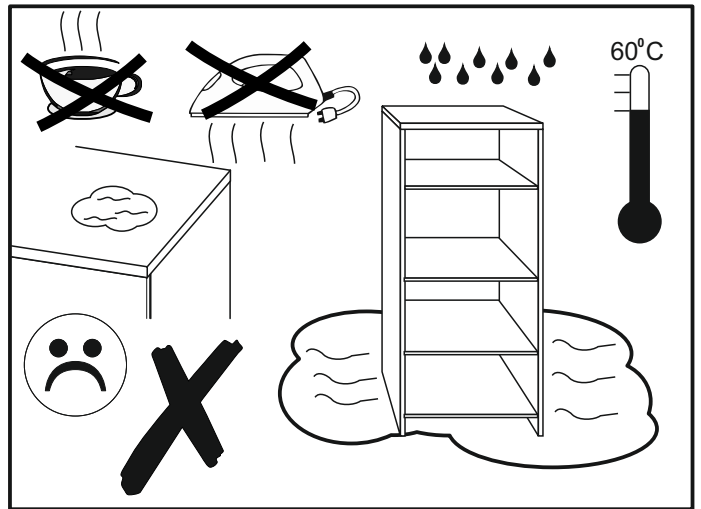
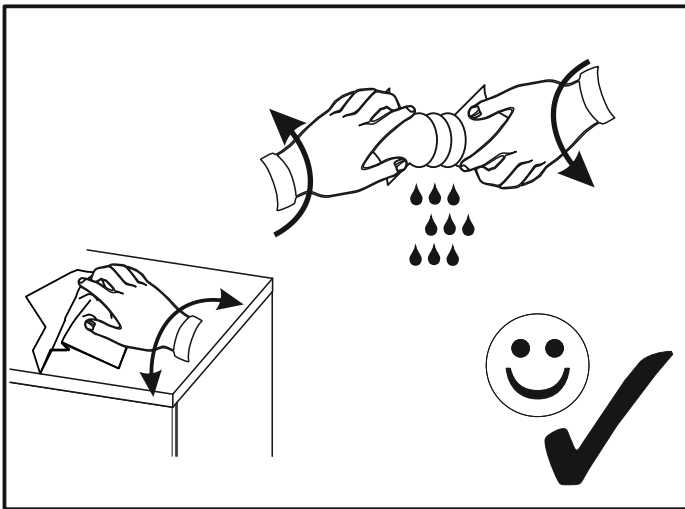
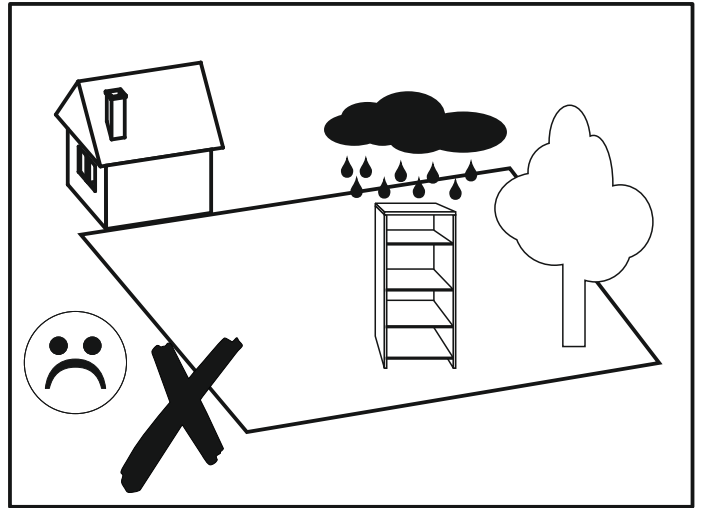
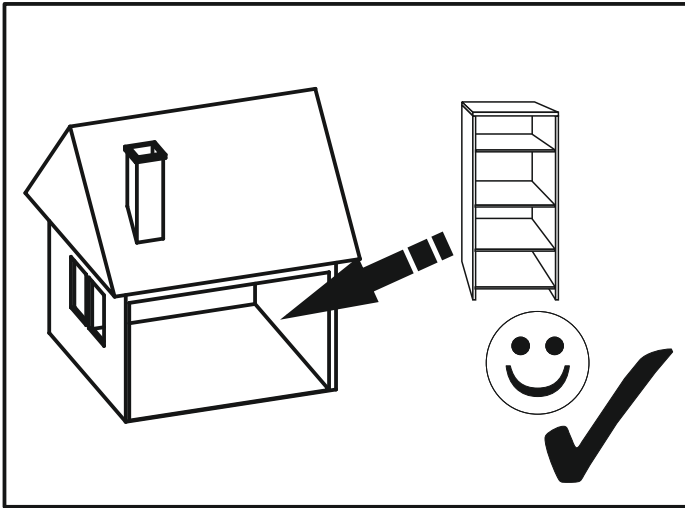
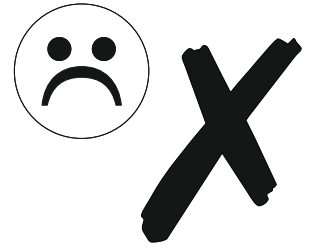


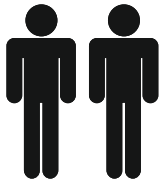
28 ▶



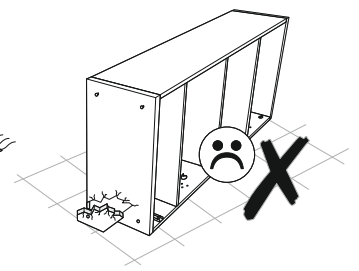
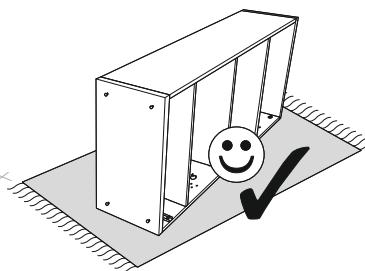
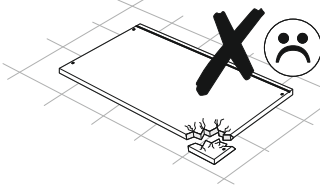
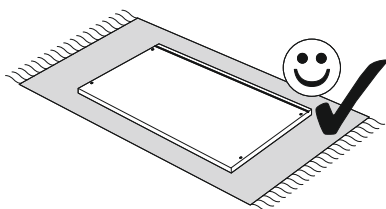
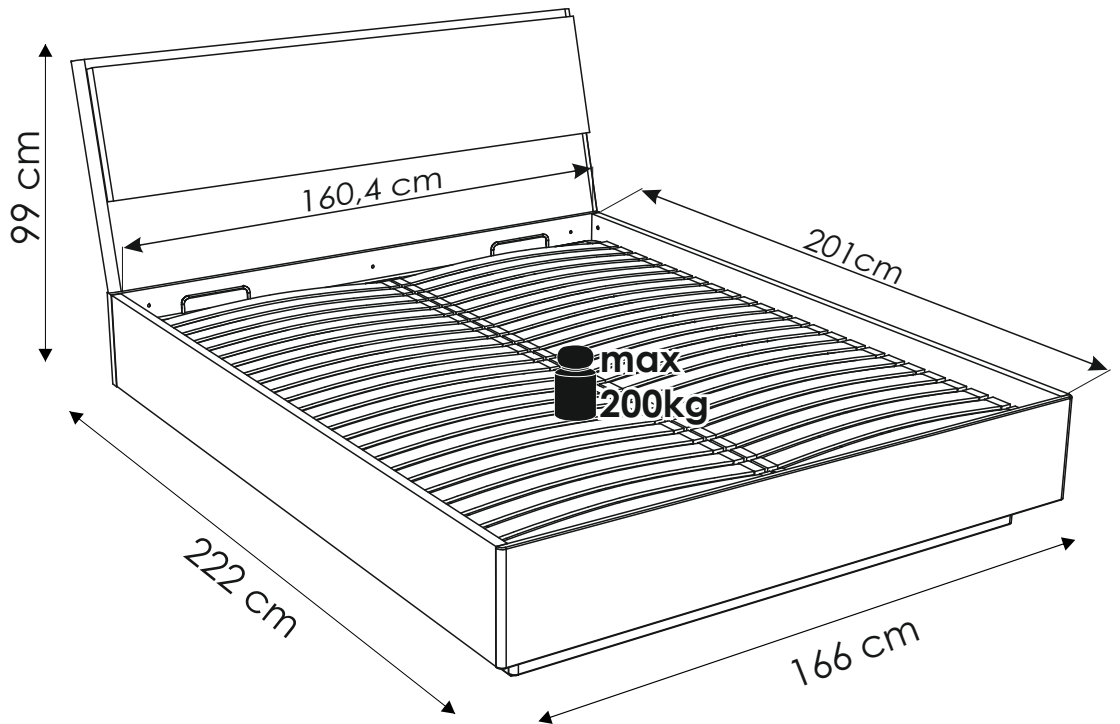
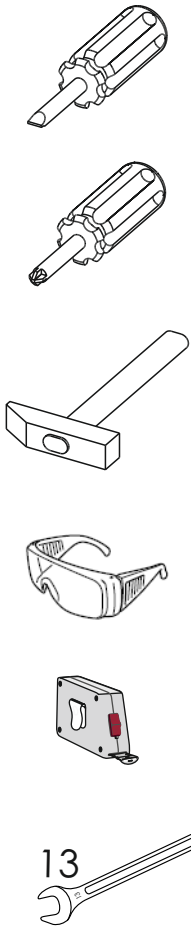
29 ▶

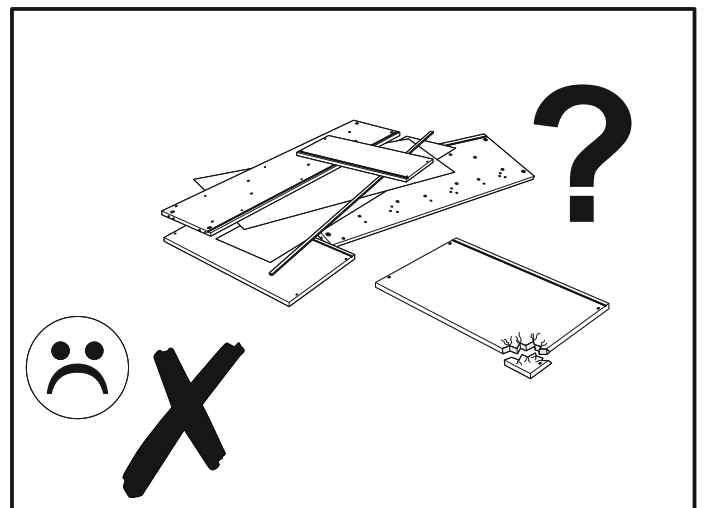
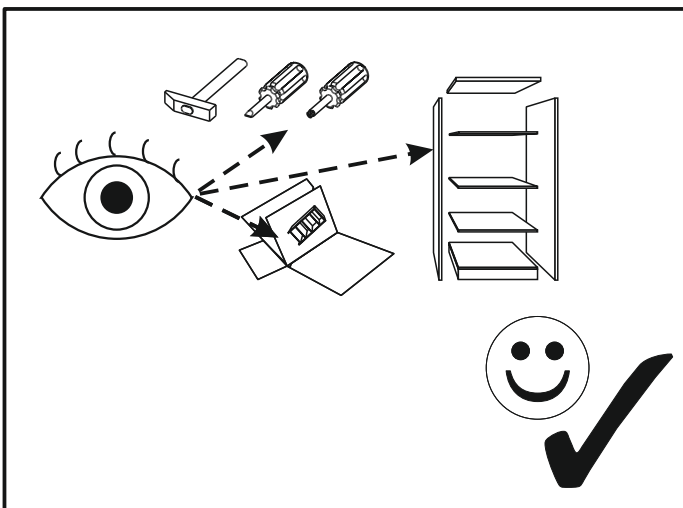
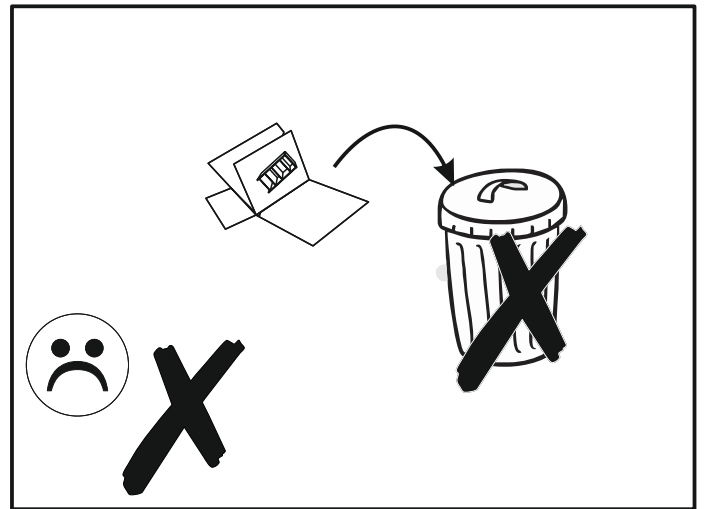
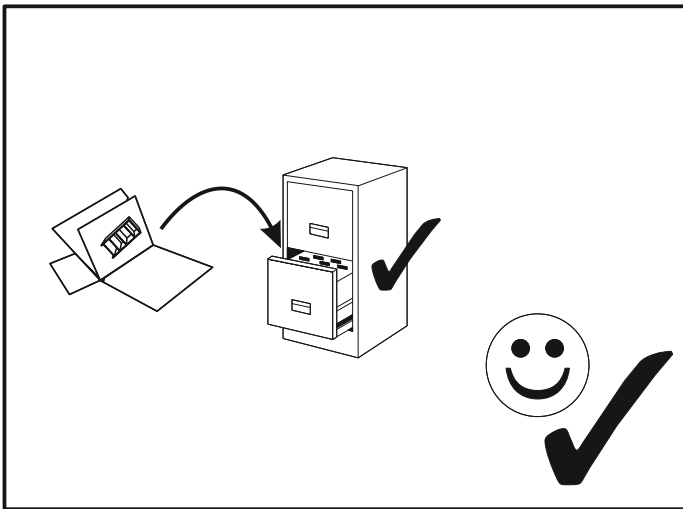
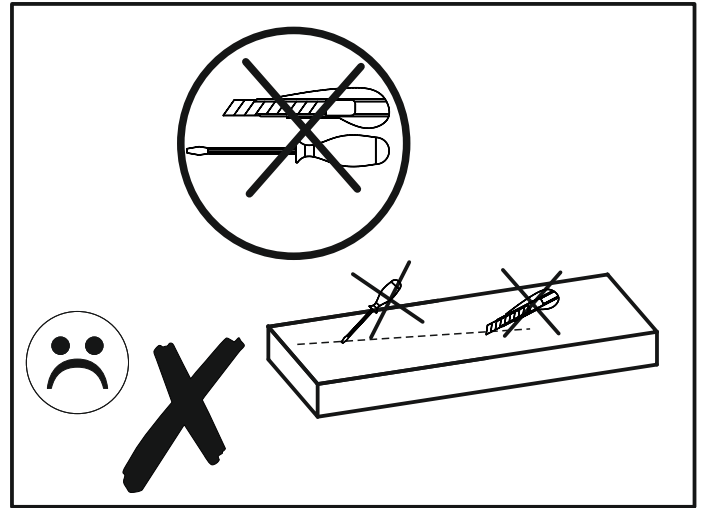
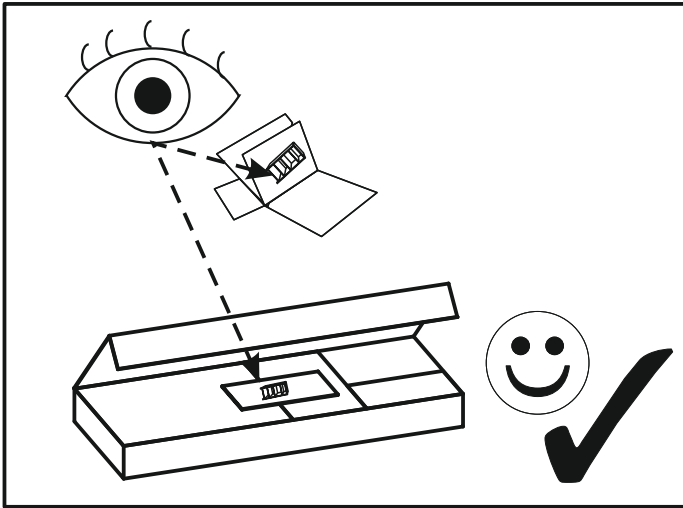


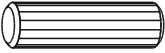
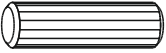
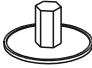








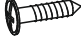

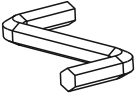
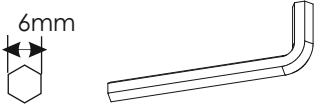
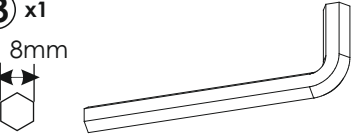



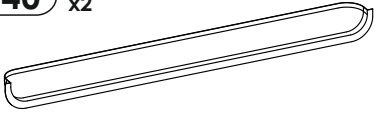
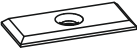

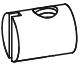


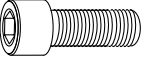



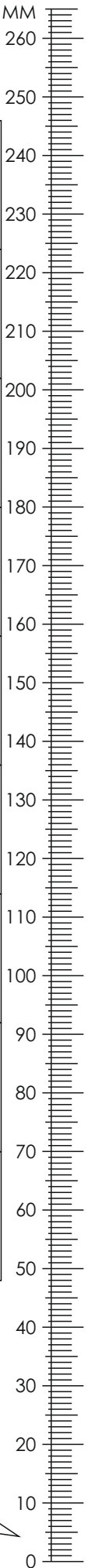
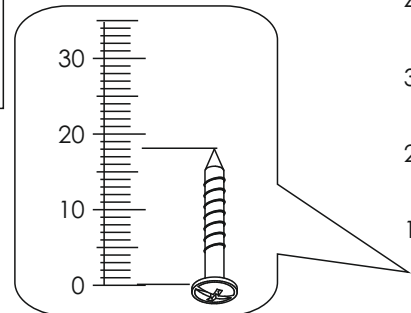
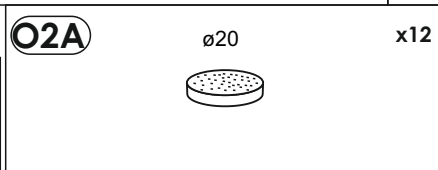
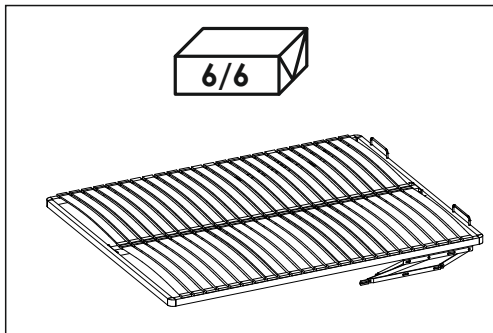


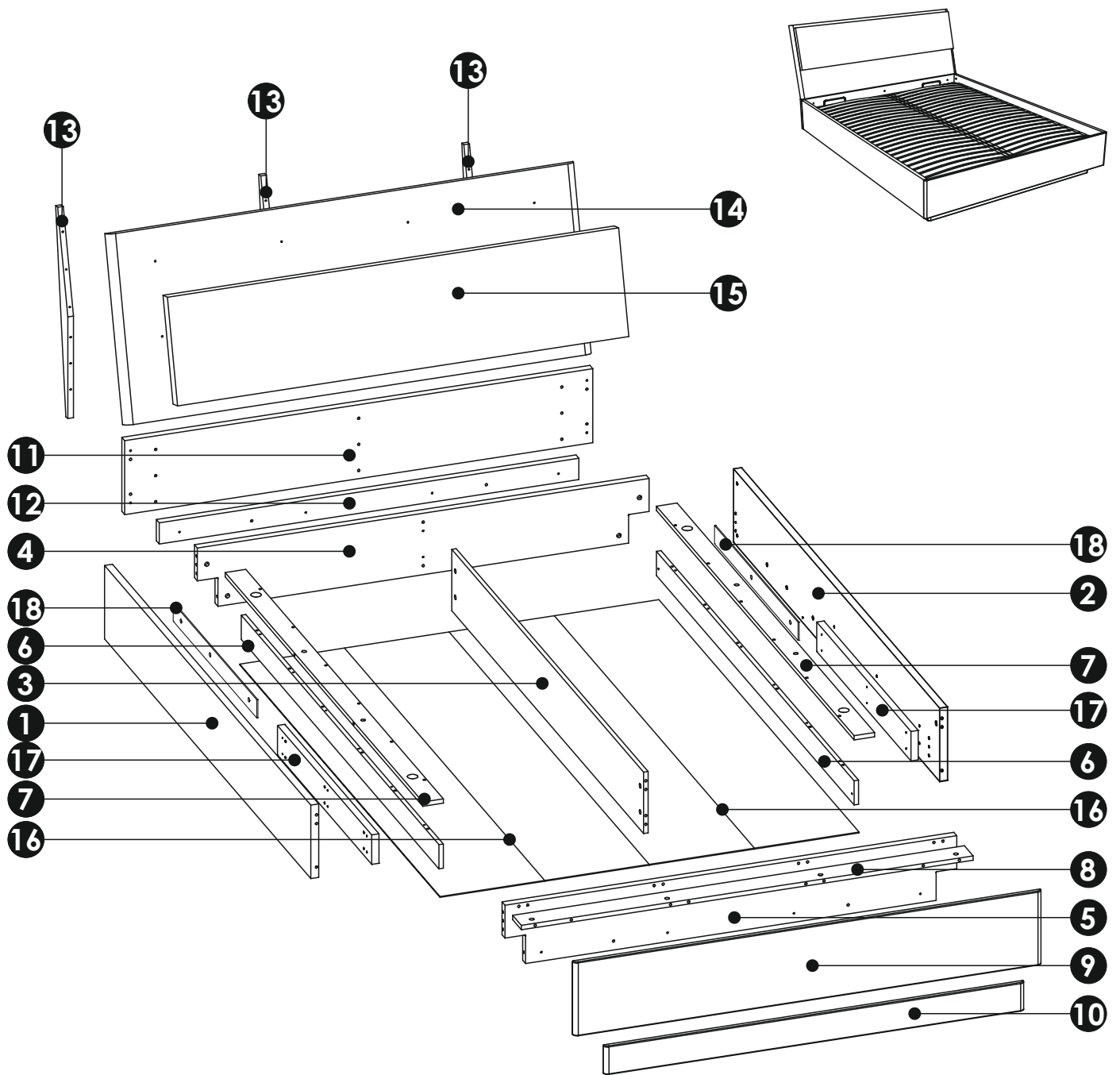
100





<b>A0</b> x16 $\phi 8 \times 24$ mm 	<b>A1</b> x40 $\phi 8 \times 35$ mm 	<b>E0</b> x22 
<b>E1</b> x22 	<b>F1</b> x22 	<b>G0</b> x25 
<b>G1</b> x12 $\phi 7 \times 50$ mm 	<b>G2</b> x13 $\phi 7 \times 60$ mm 	<b>I5</b> x12 4 x 45 mm 
<b>I6</b> x20 4 x 40 mm 	<b>I7</b> x9 4 x 35 mm 	<b>I15</b> x10 3,5 x 16 mm 
<b>J7</b> 3,5 x 25 mm x1 	<b>M</b> x1 	<b>M2</b> x1 6mm 
<b>M3</b> x1 8mm 	<b>N1</b> x100 3 x 16mm 	<b>O21</b> x25 
<b>P16</b> x12 	<b>P40</b> x2 	<b>R1</b> x13 
<b>R22</b> x6 	<b>S1</b> x4 	<b>S2</b> x4 M6x70 
<b>S18</b> x6 	<b>S20</b> x6 M8x25 	<b>W16</b> x4 



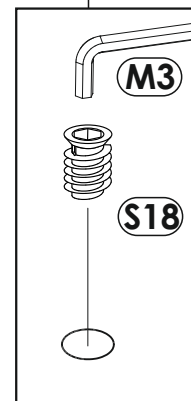
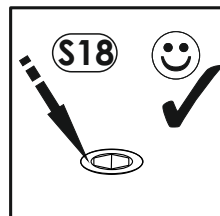
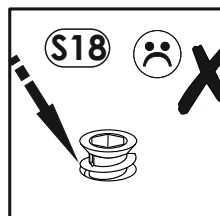
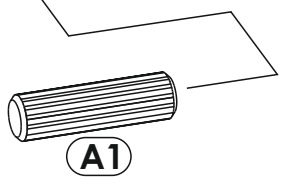
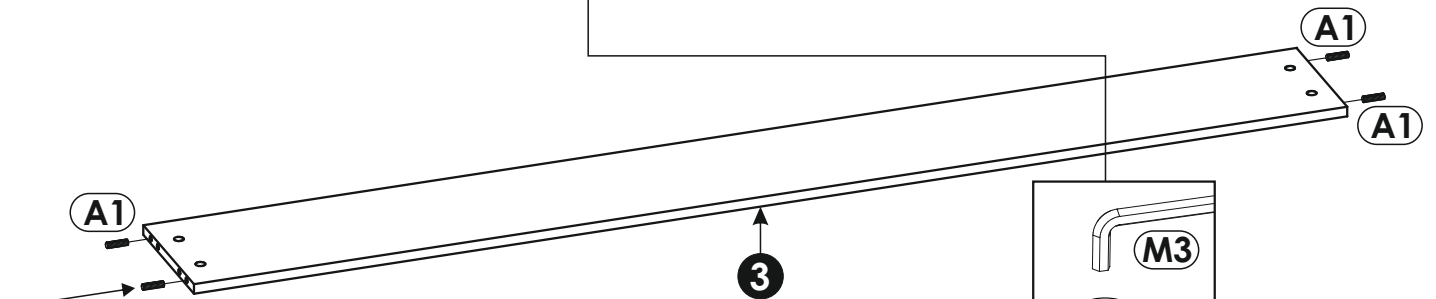
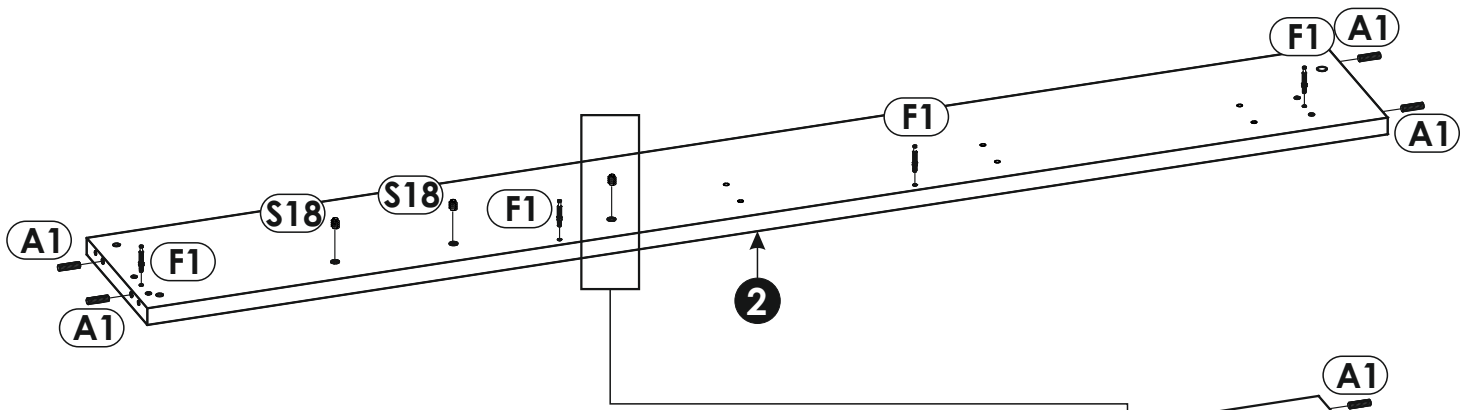
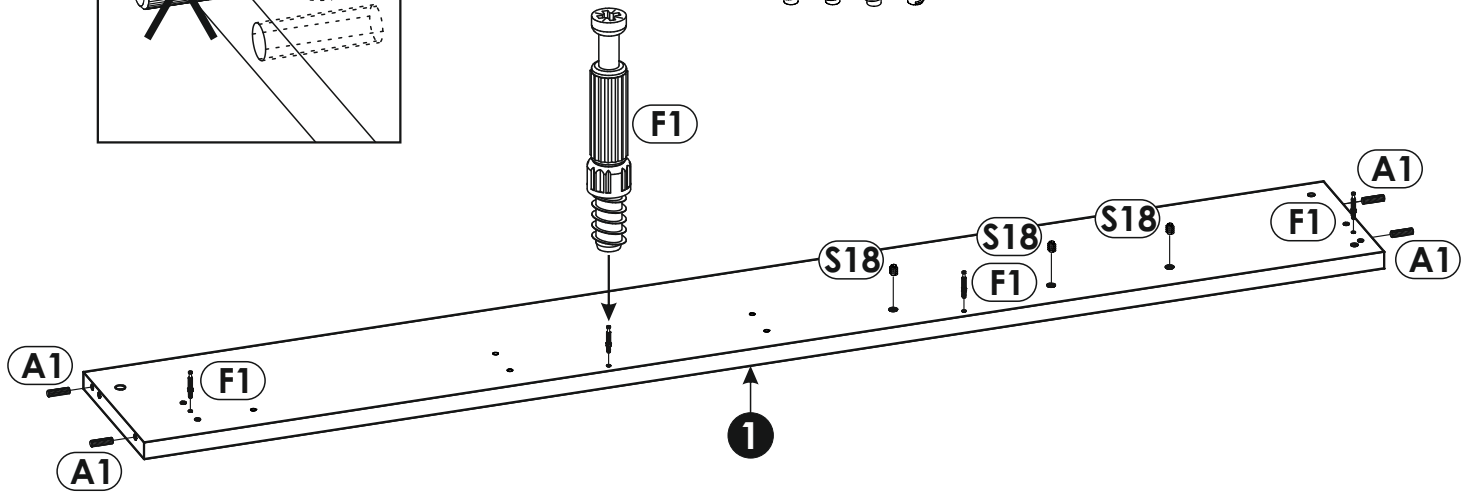
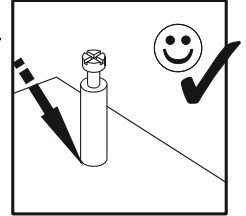
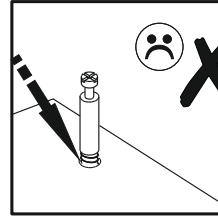
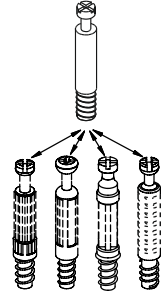
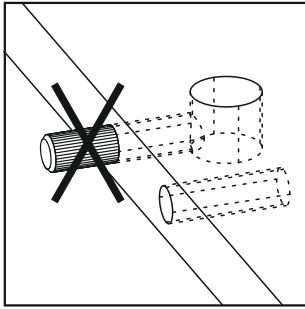
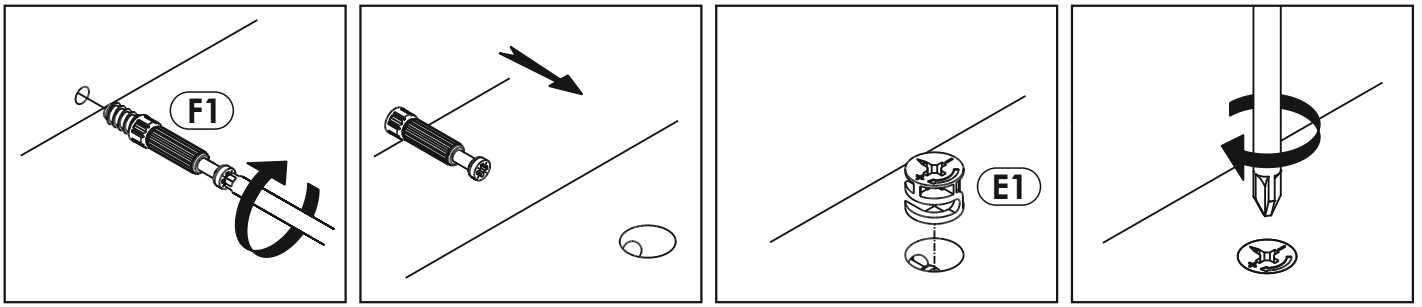


<b>1</b>	2010	270	28	x1	3/6
<b>2</b>	2010	270	28	x1	3/6
<b>3</b>	1869	226	16	x1	1/6
<b>4</b>	1602	226	28	x1	2/6
<b>5</b>	1602	226	28	x1	2/6
<b>6</b>	1925	89	16	x2	4/6

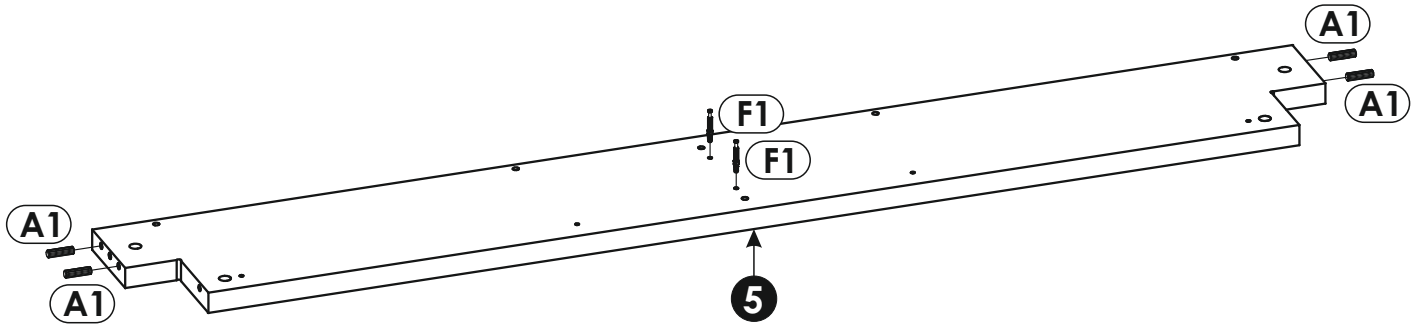
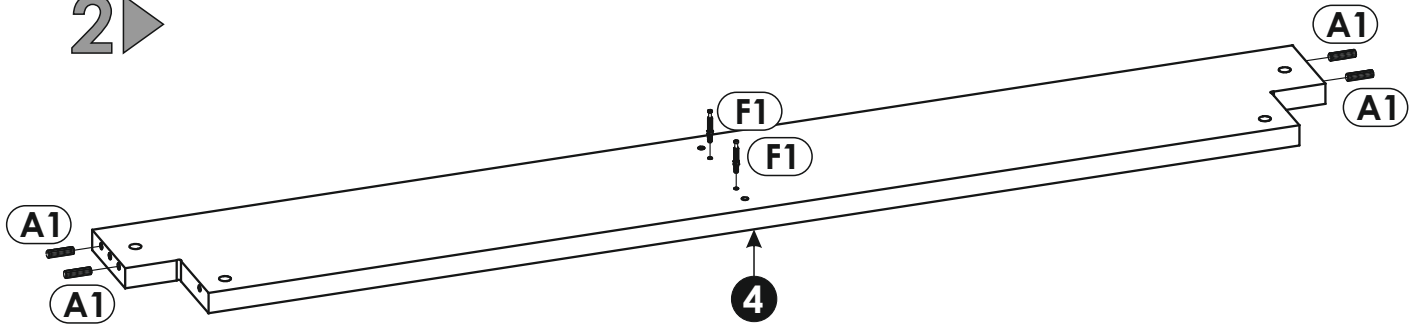
<b>7</b>	1925	73	16	x2	4/6
<b>8</b>	1602	85	16	x1	1/6
<b>9</b>	1660	272	16	x1	1/6
<b>10</b>	1490	105	16	x1	1/6
<b>11</b>	1660	272	28	x1	1/6
<b>12</b>	1488	78	28	x1	3/6

<b>13</b>	740	70	20	x3	4/6
<b>14</b>	1660	650	28	x1	2/6
<b>15</b>	1600	370	45	x1	5/6
<b>16</b>	1950	742	3	x2	4/6
<b>17</b>	1000	100	28	x2	3/6
<b>18</b>	550	45	3	x2	3/6

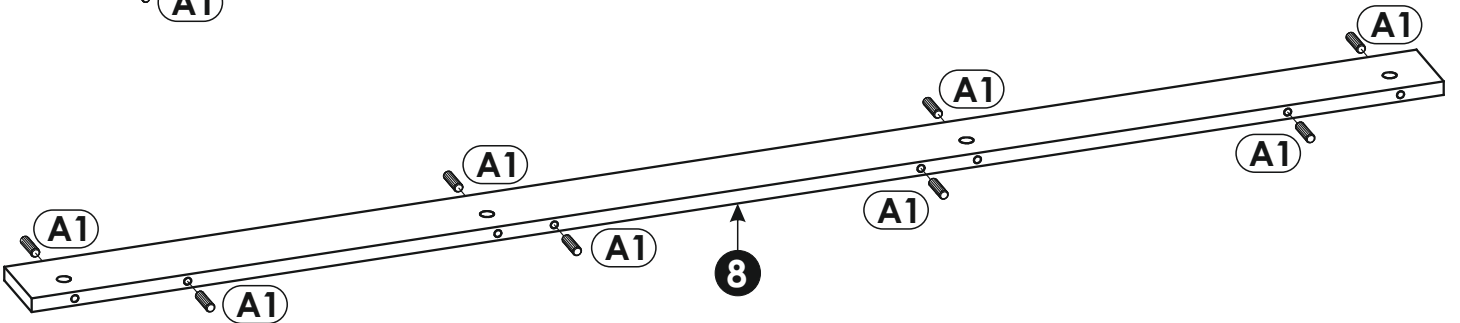
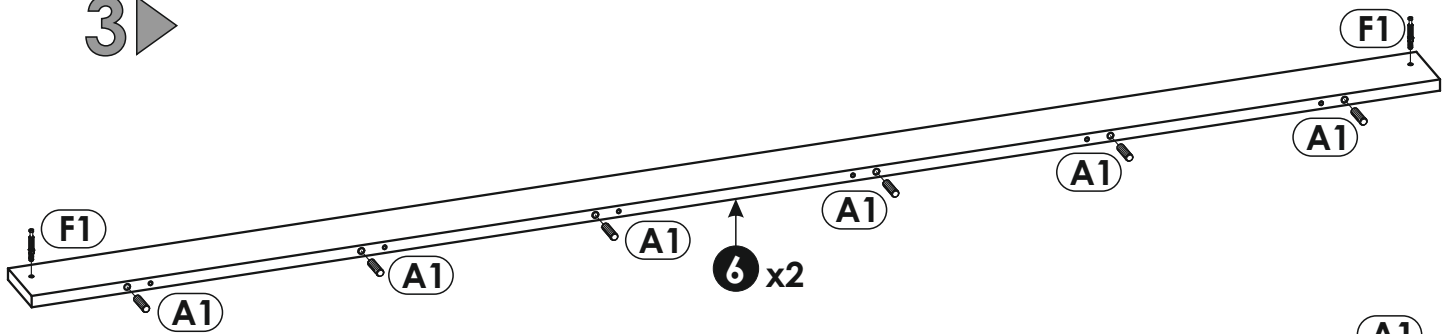




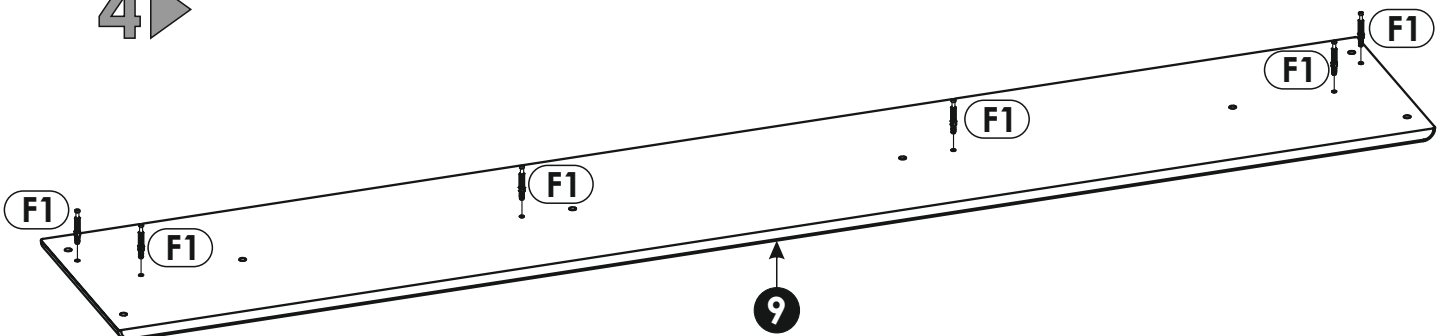
2 ▶



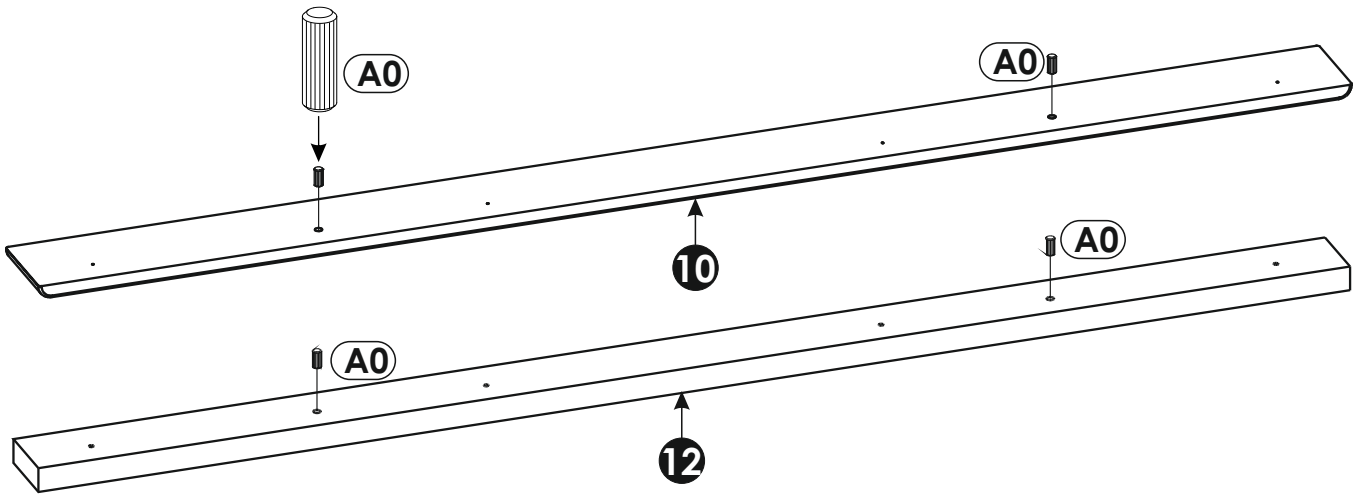
3 ▶



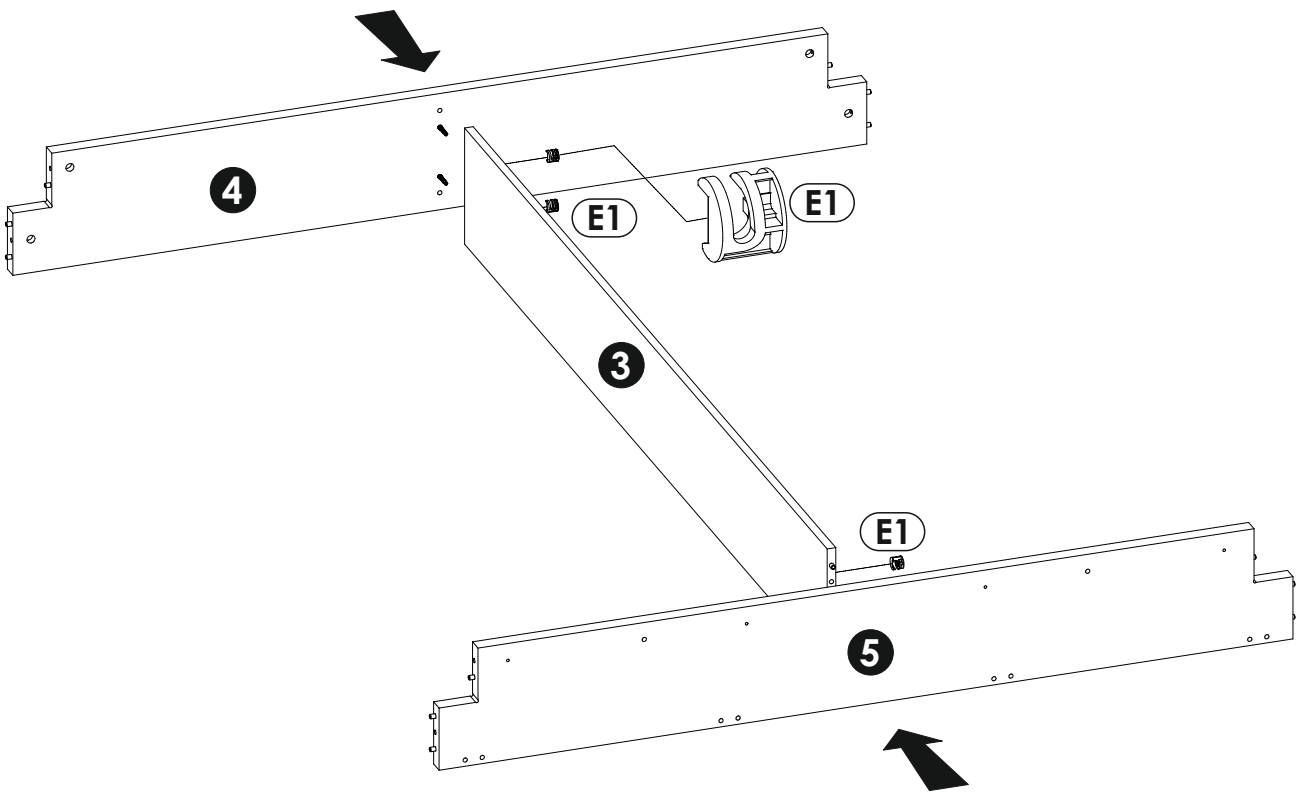
4 ▶



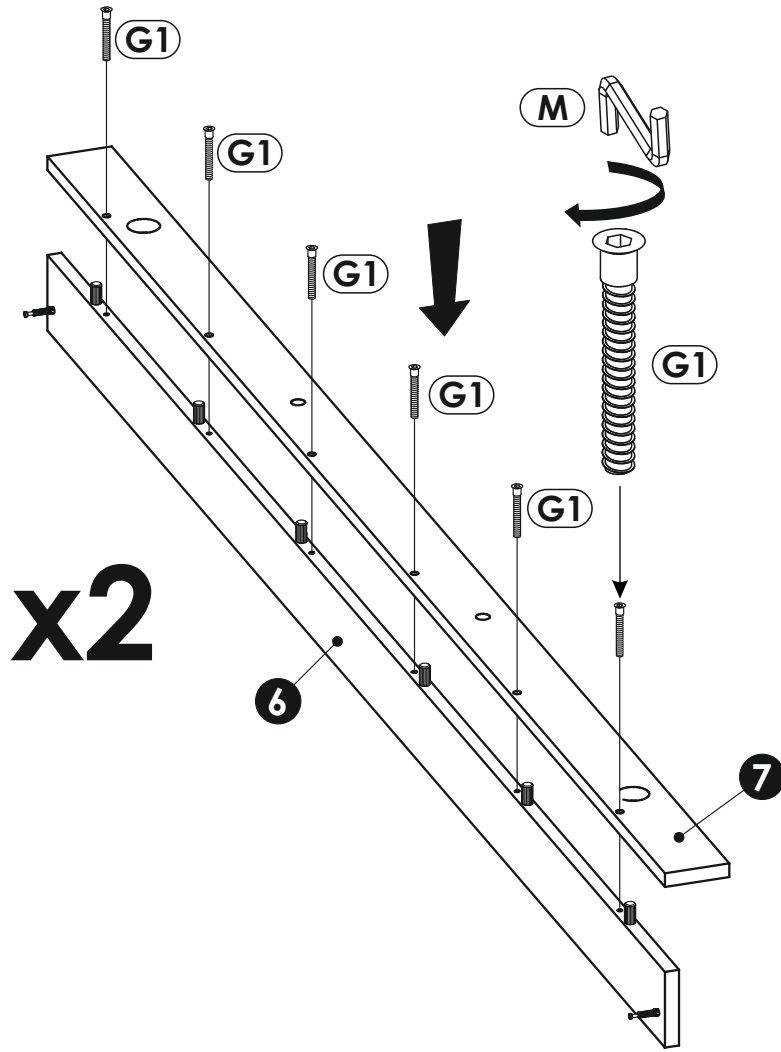
4 ▶



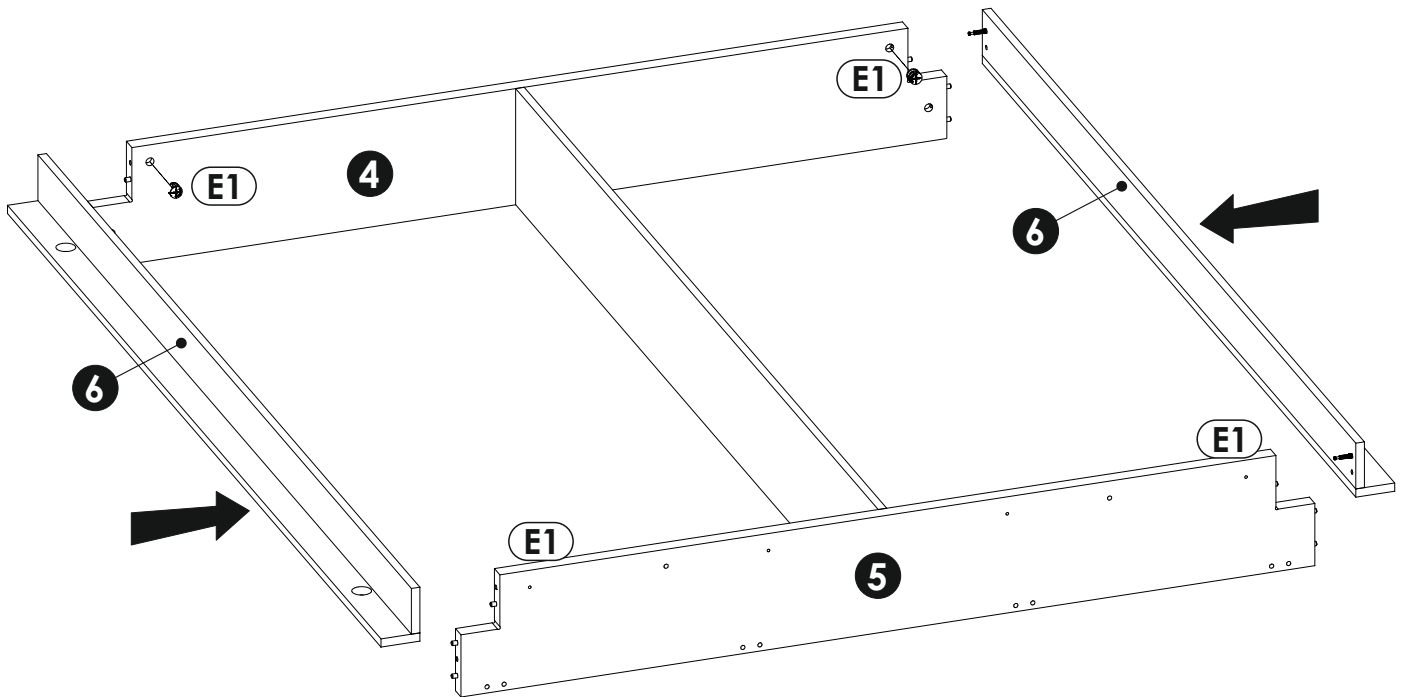
5 ▶



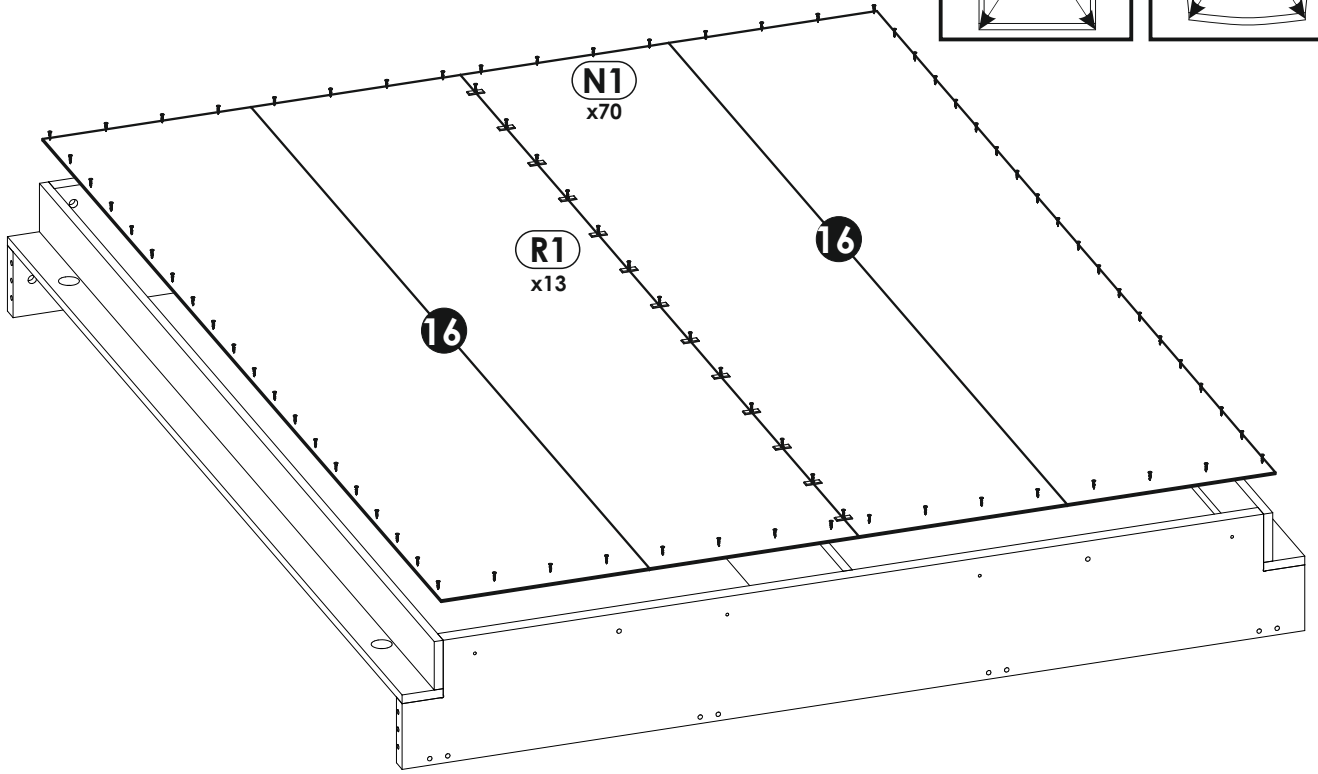
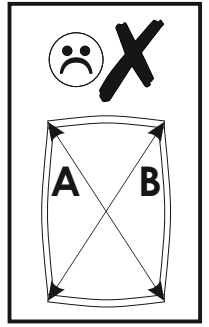
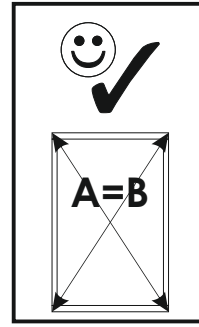
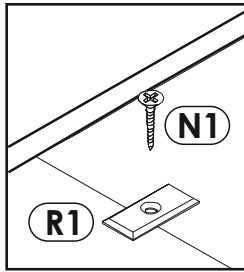
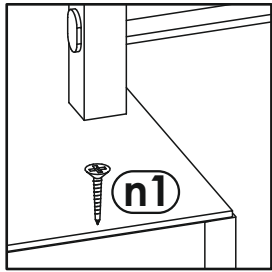
6 ▶



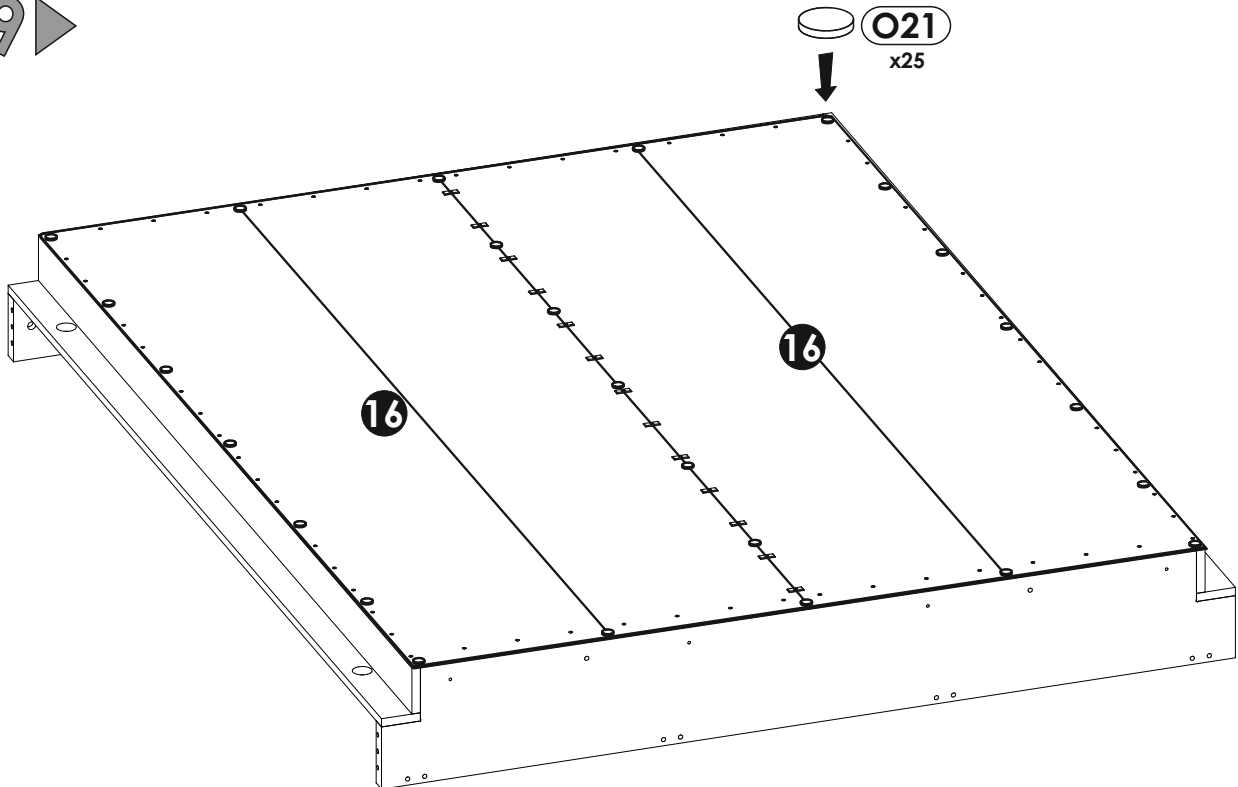
7 ▶



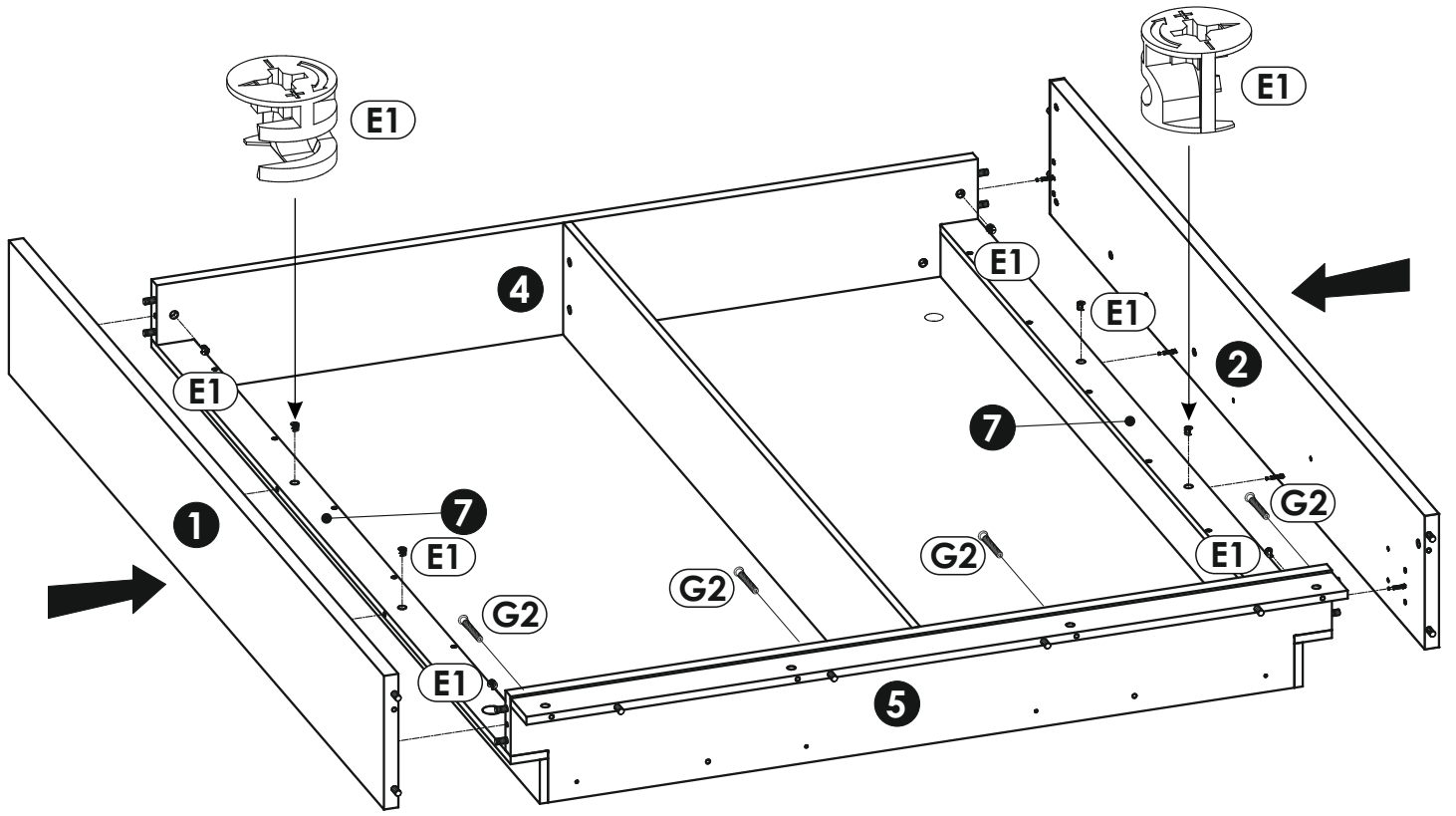
8 ▶



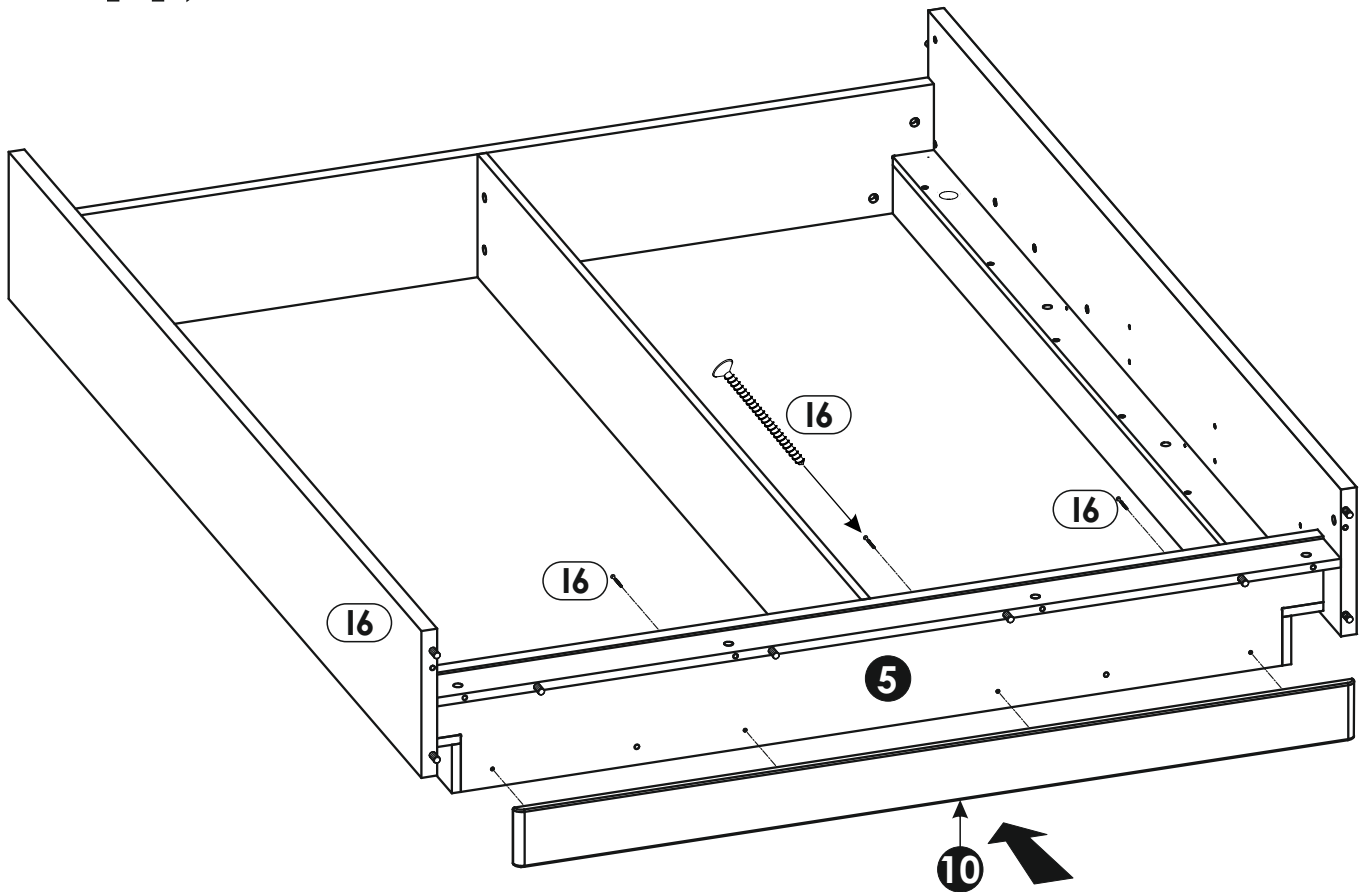
9 ▶



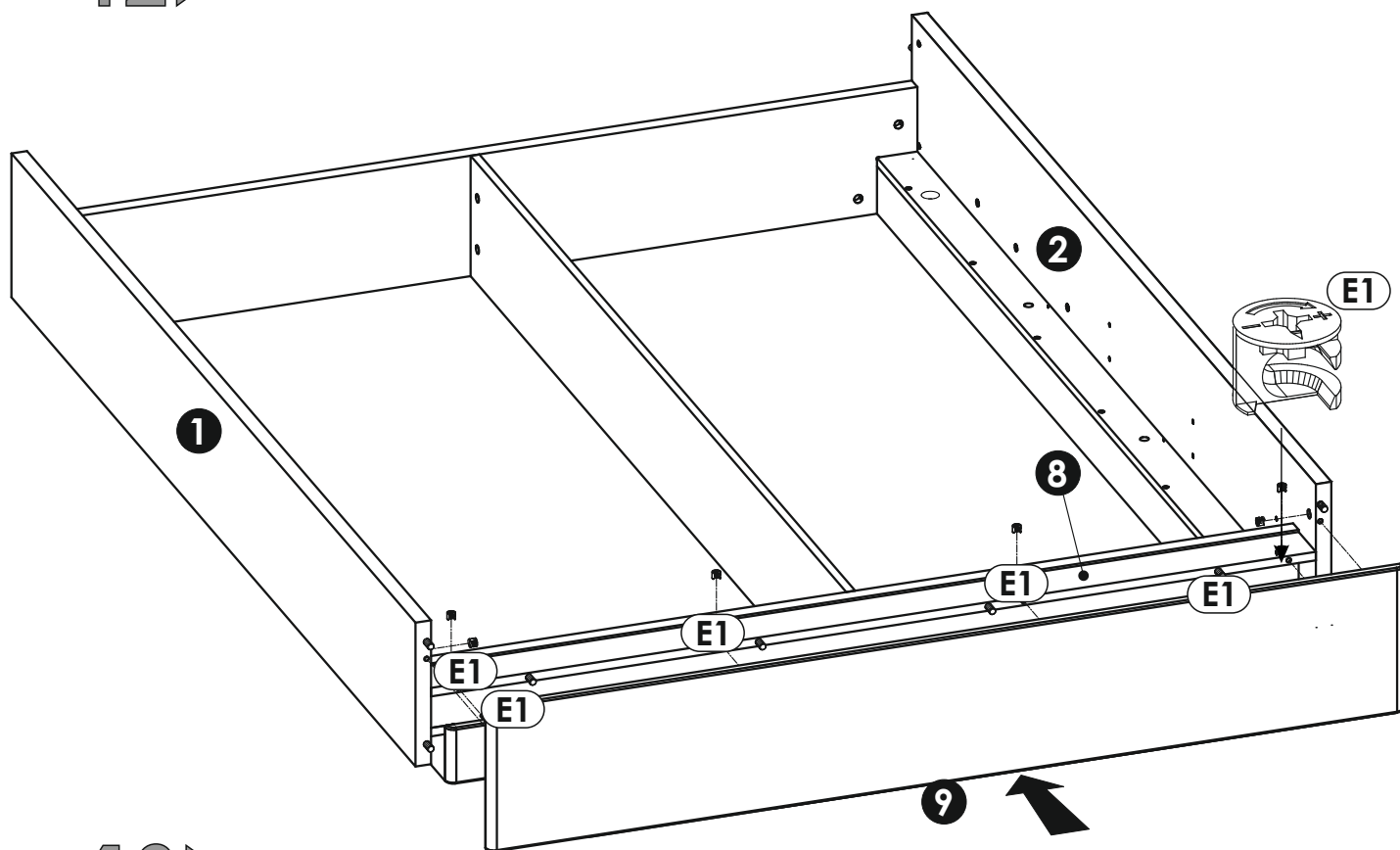
10 ▶



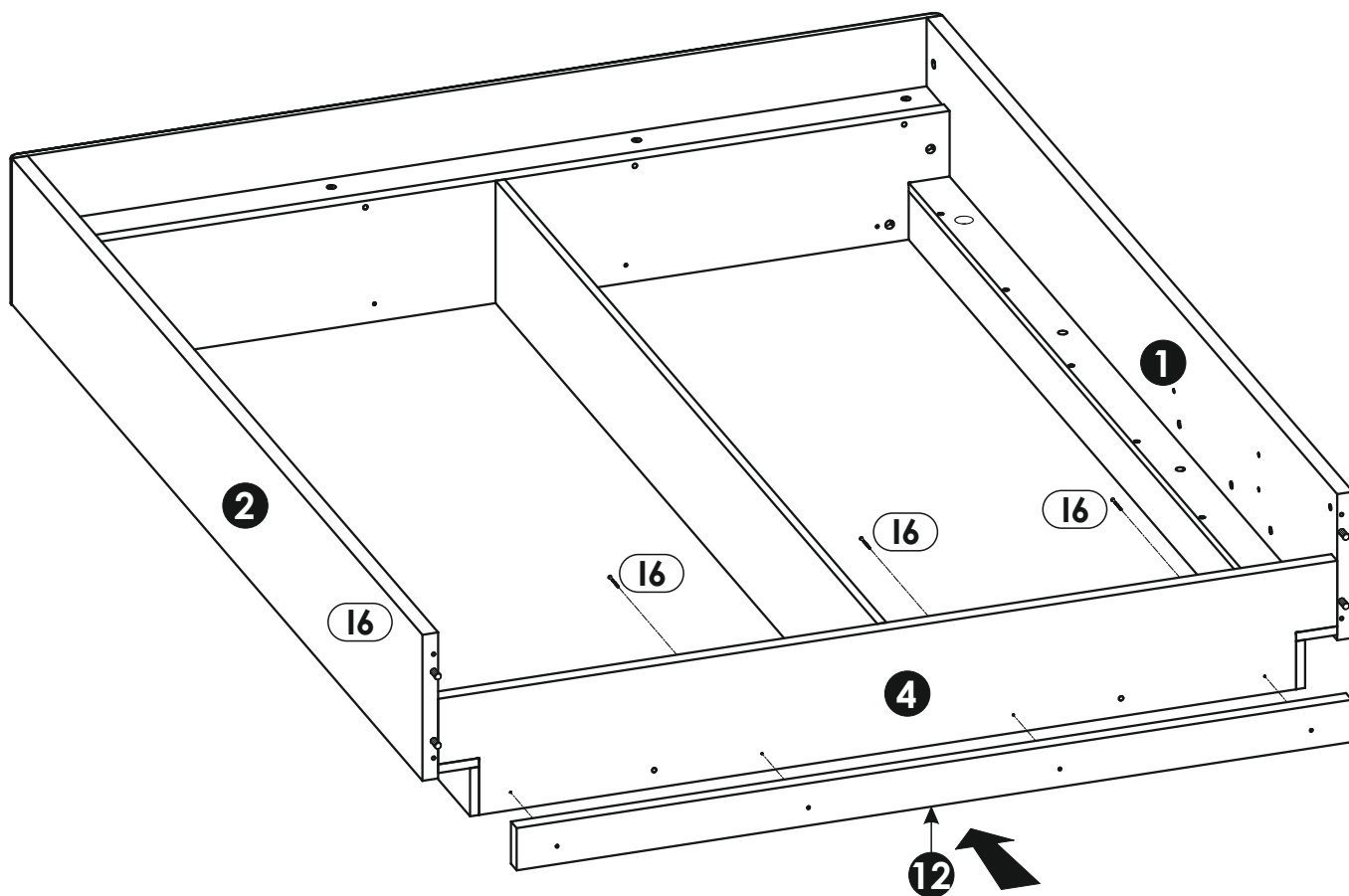
11 ▶



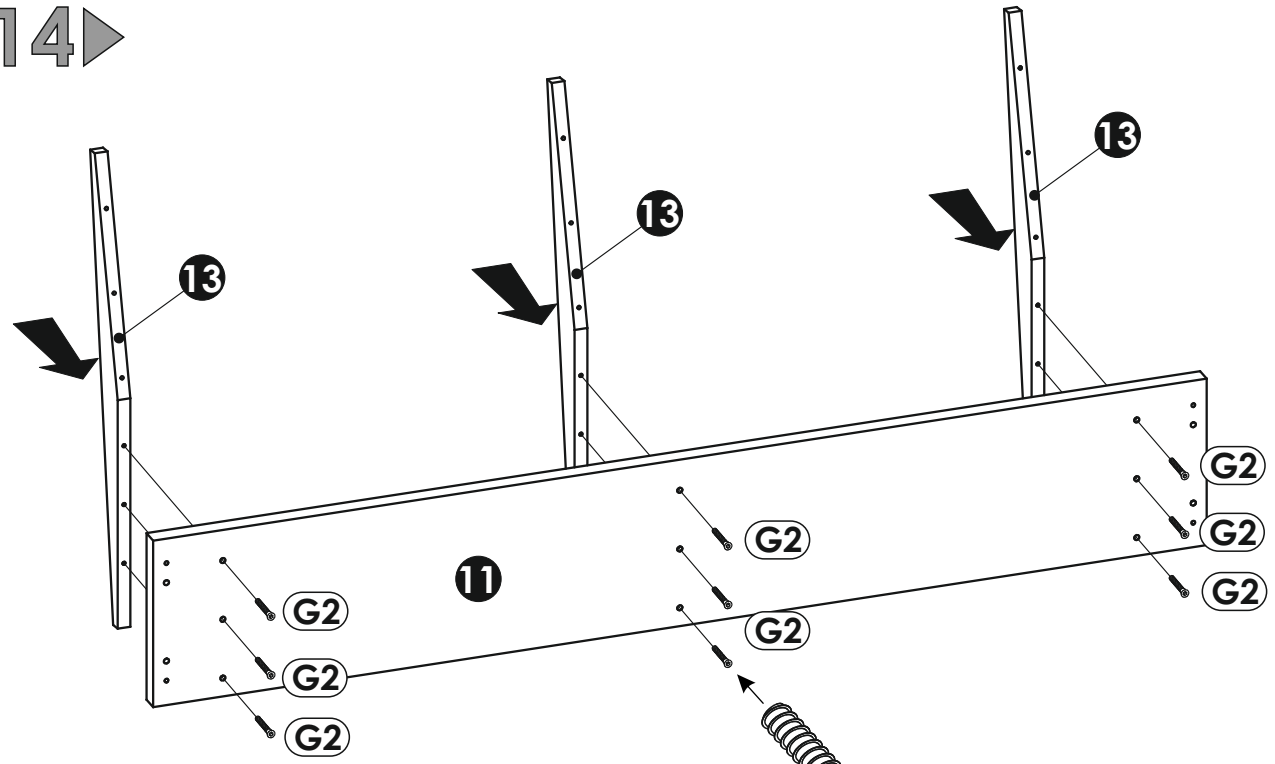
12▶



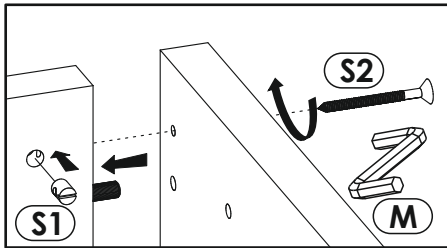
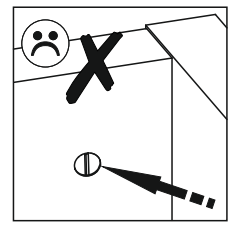
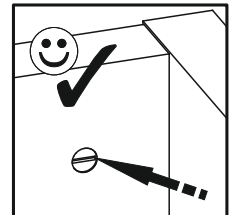
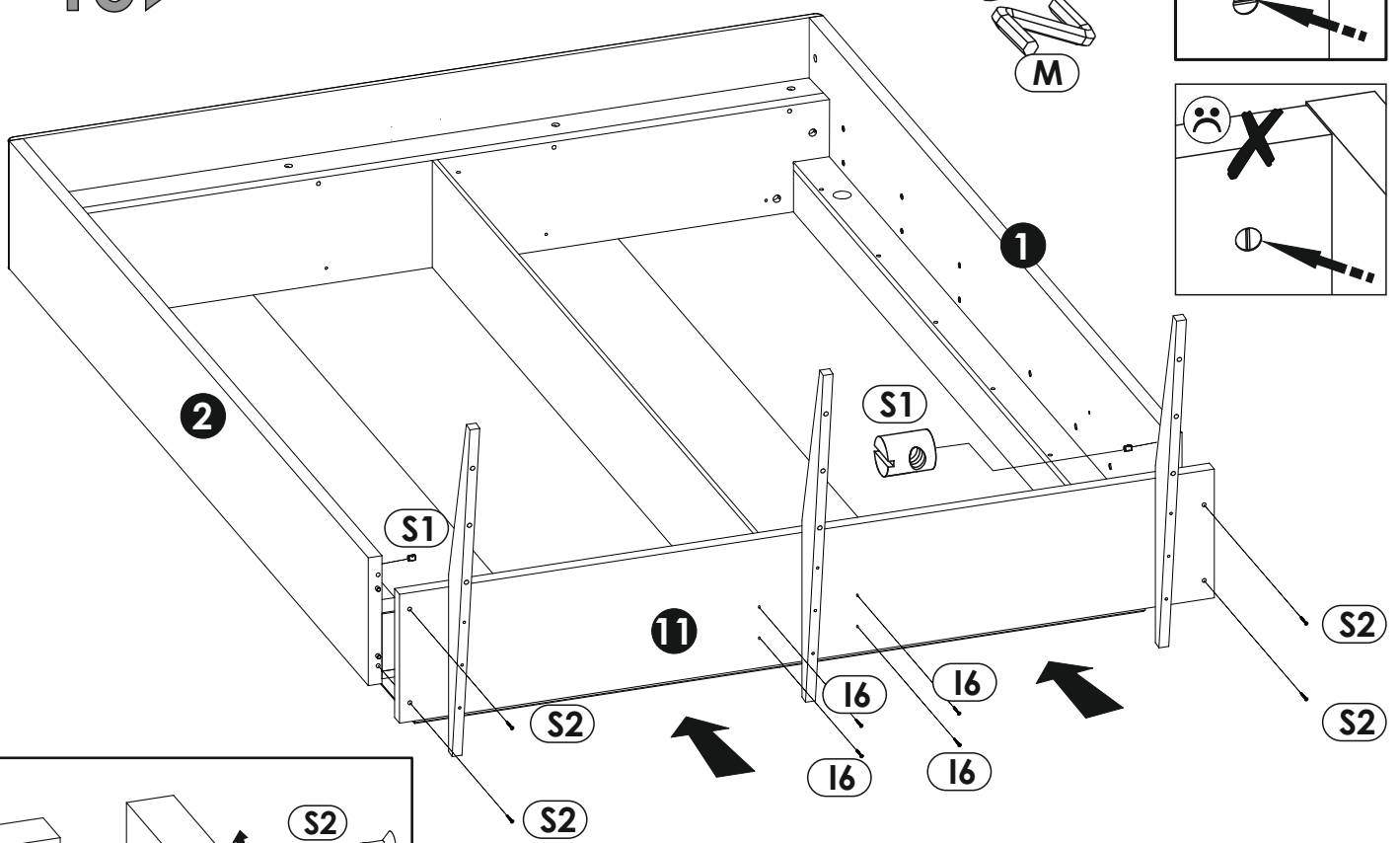
13▶



14 ▶

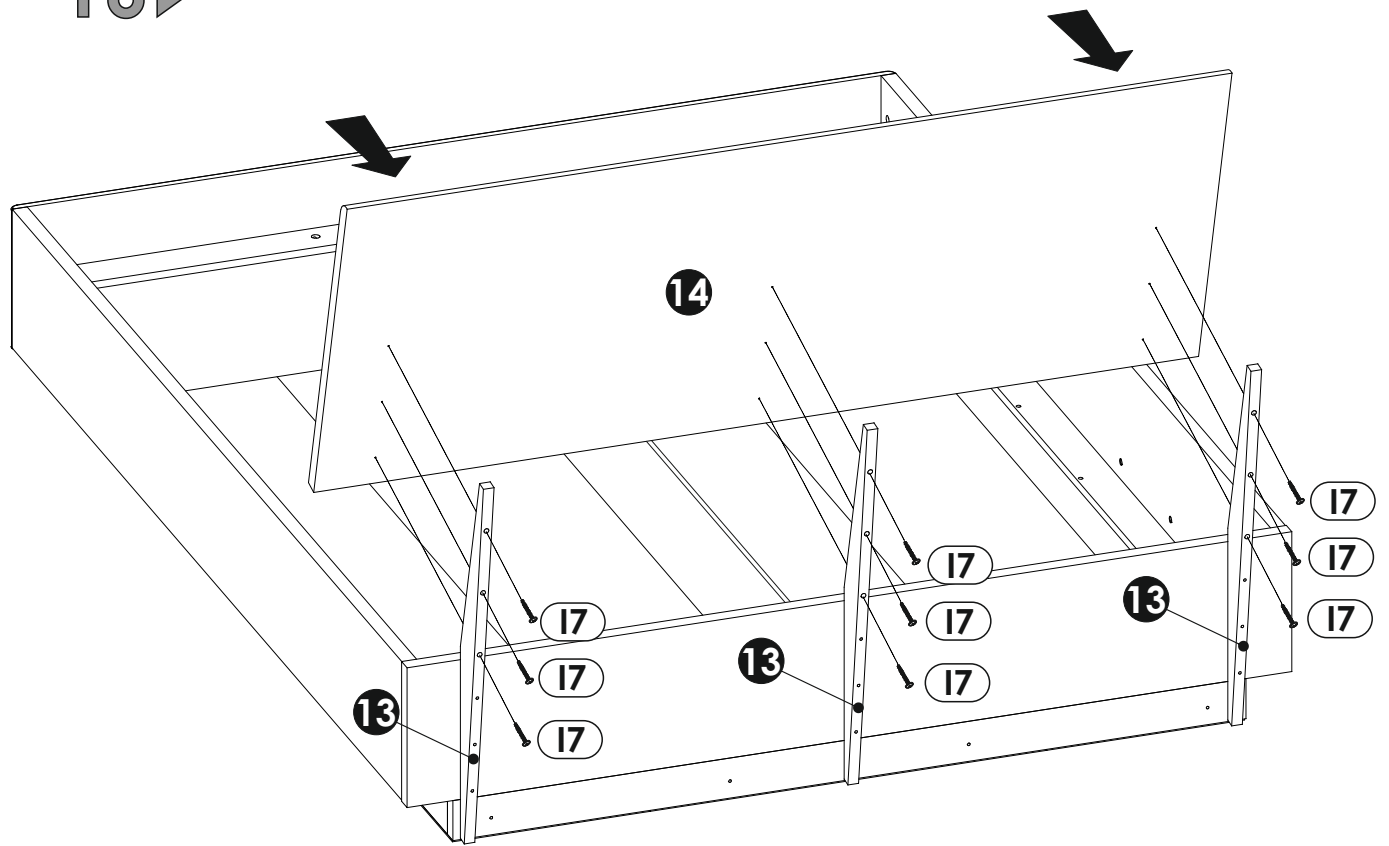


15 ▶

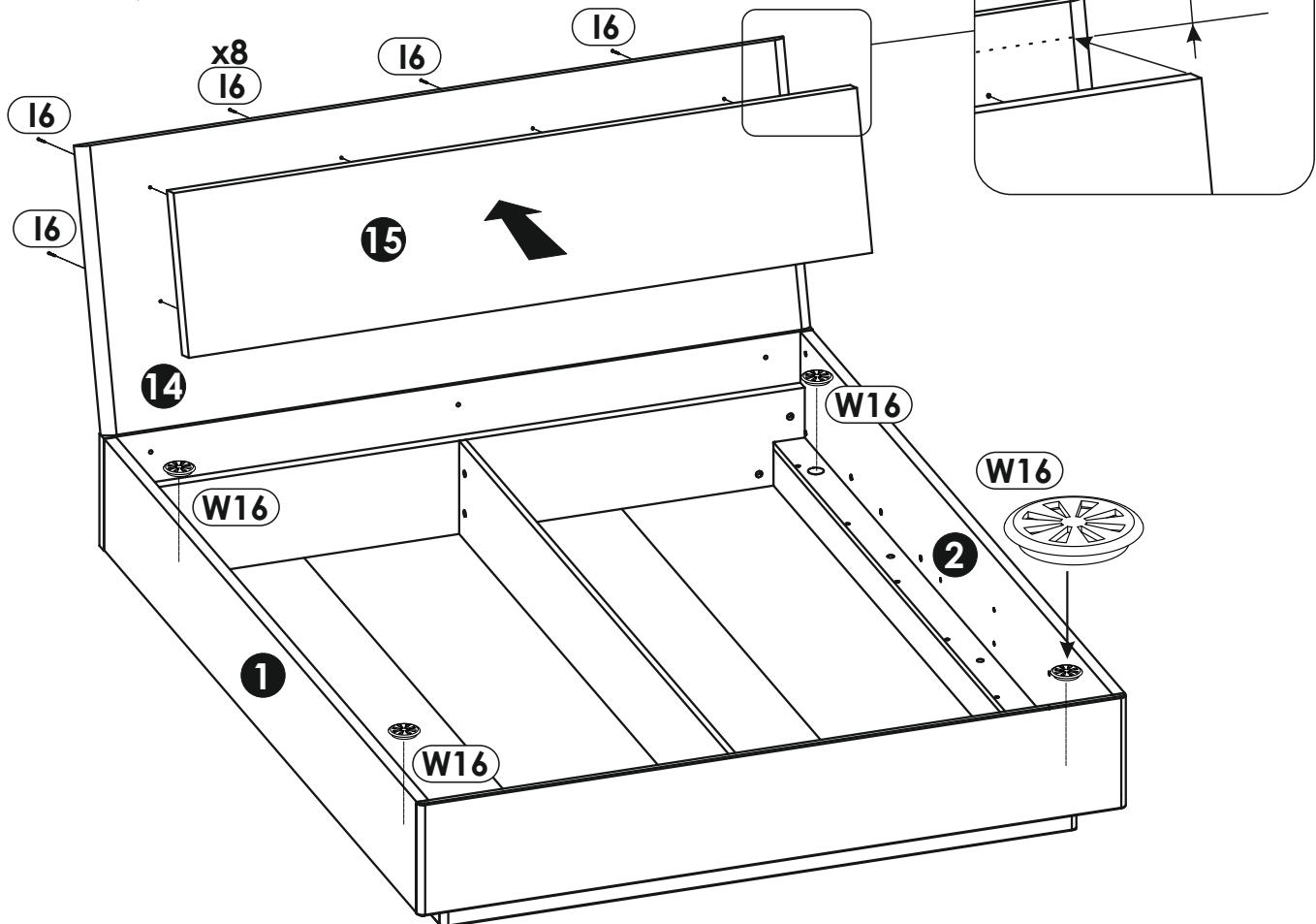




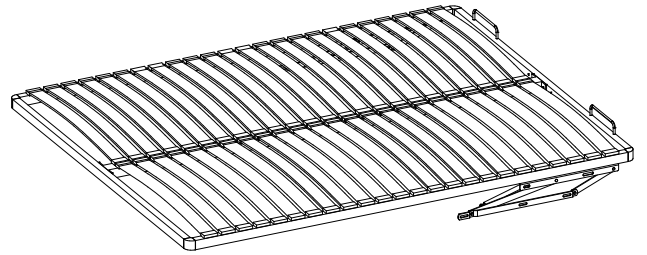
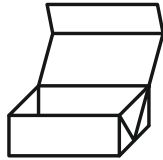
16 ▶



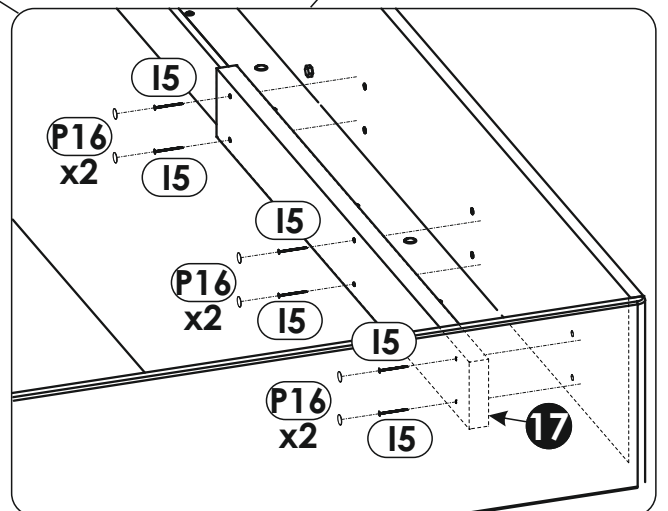
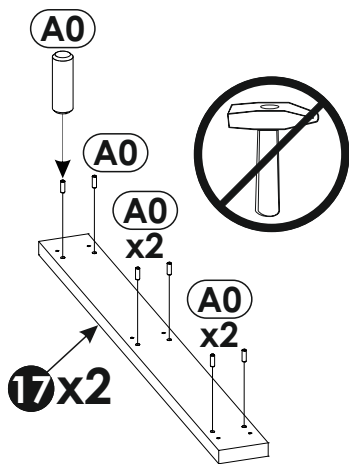
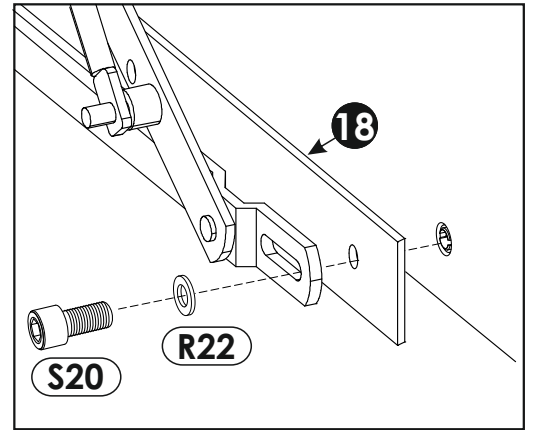
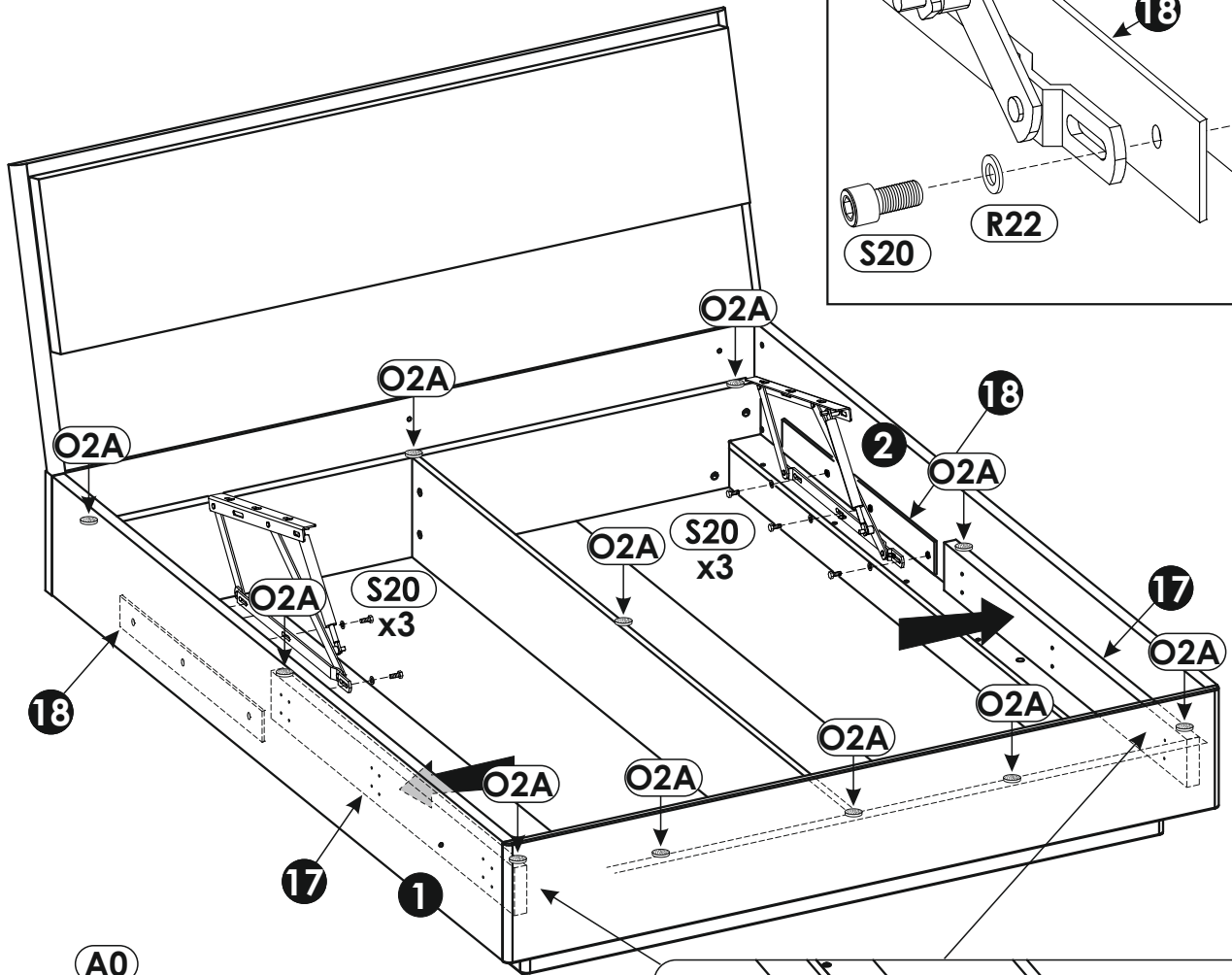
17 ▶



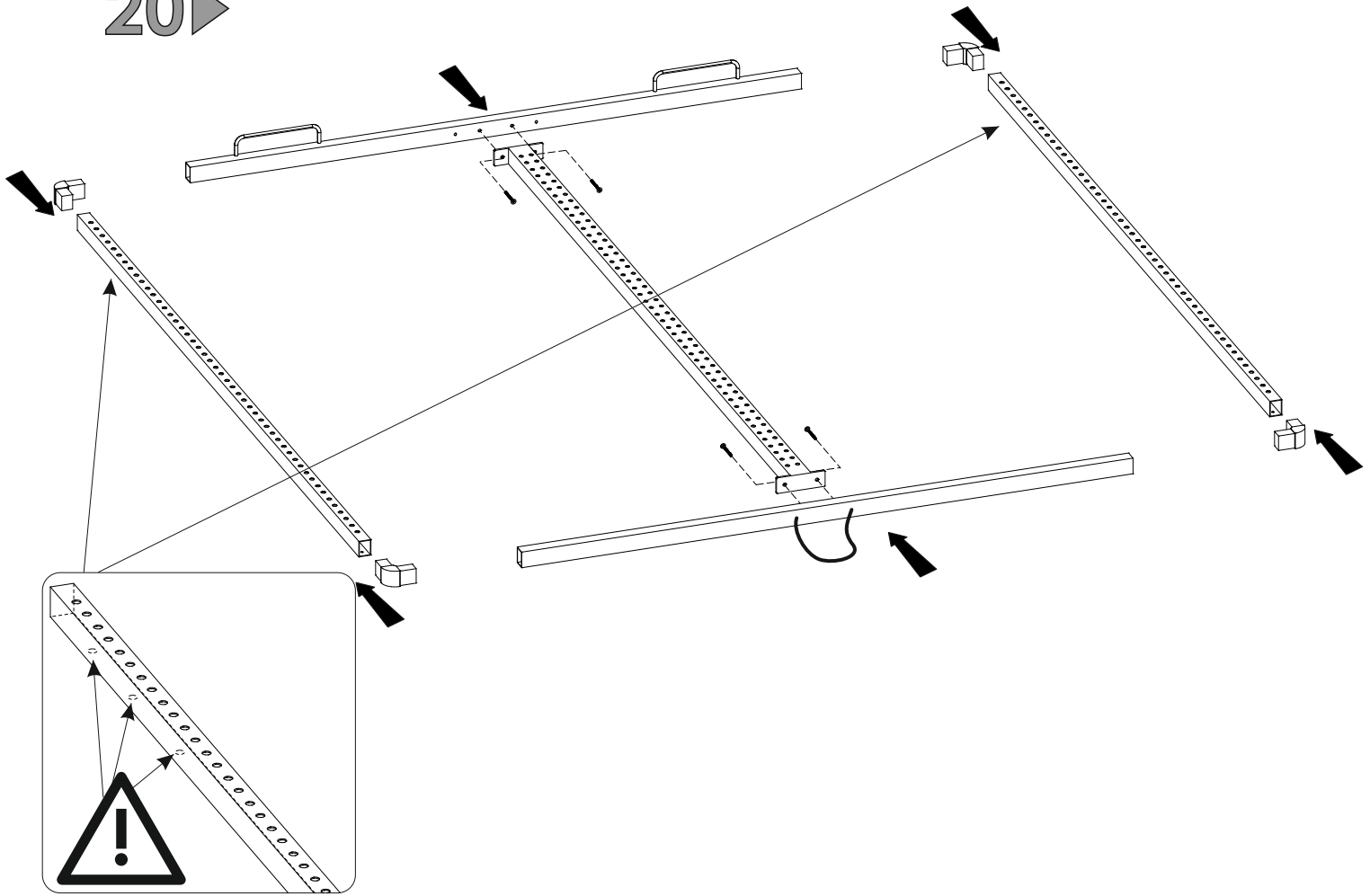
18▶



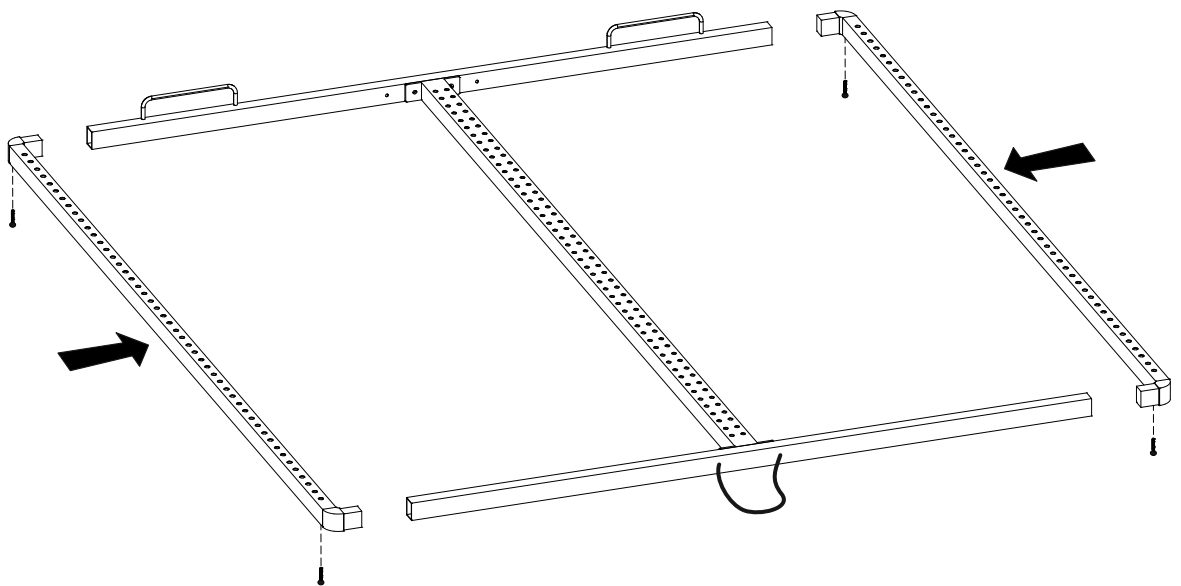
19▶



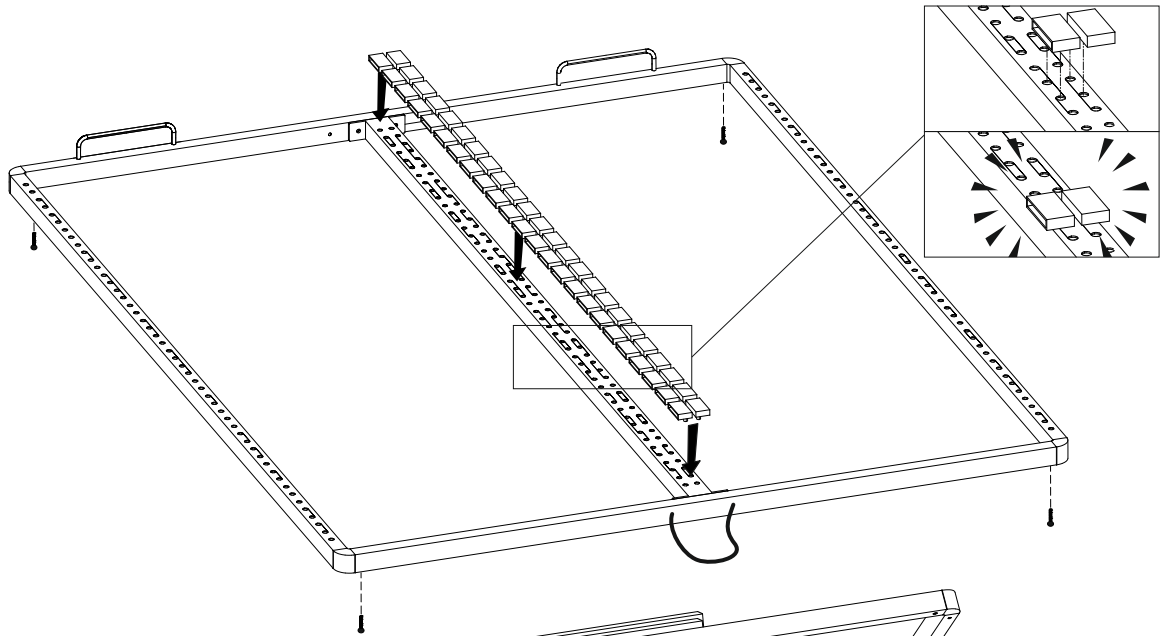
20 ▶



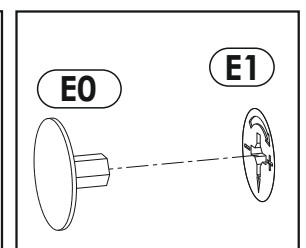
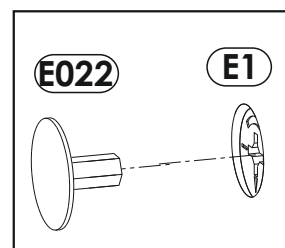
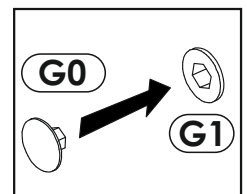
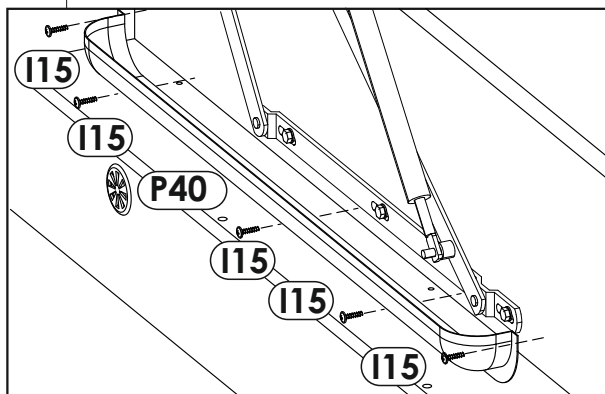
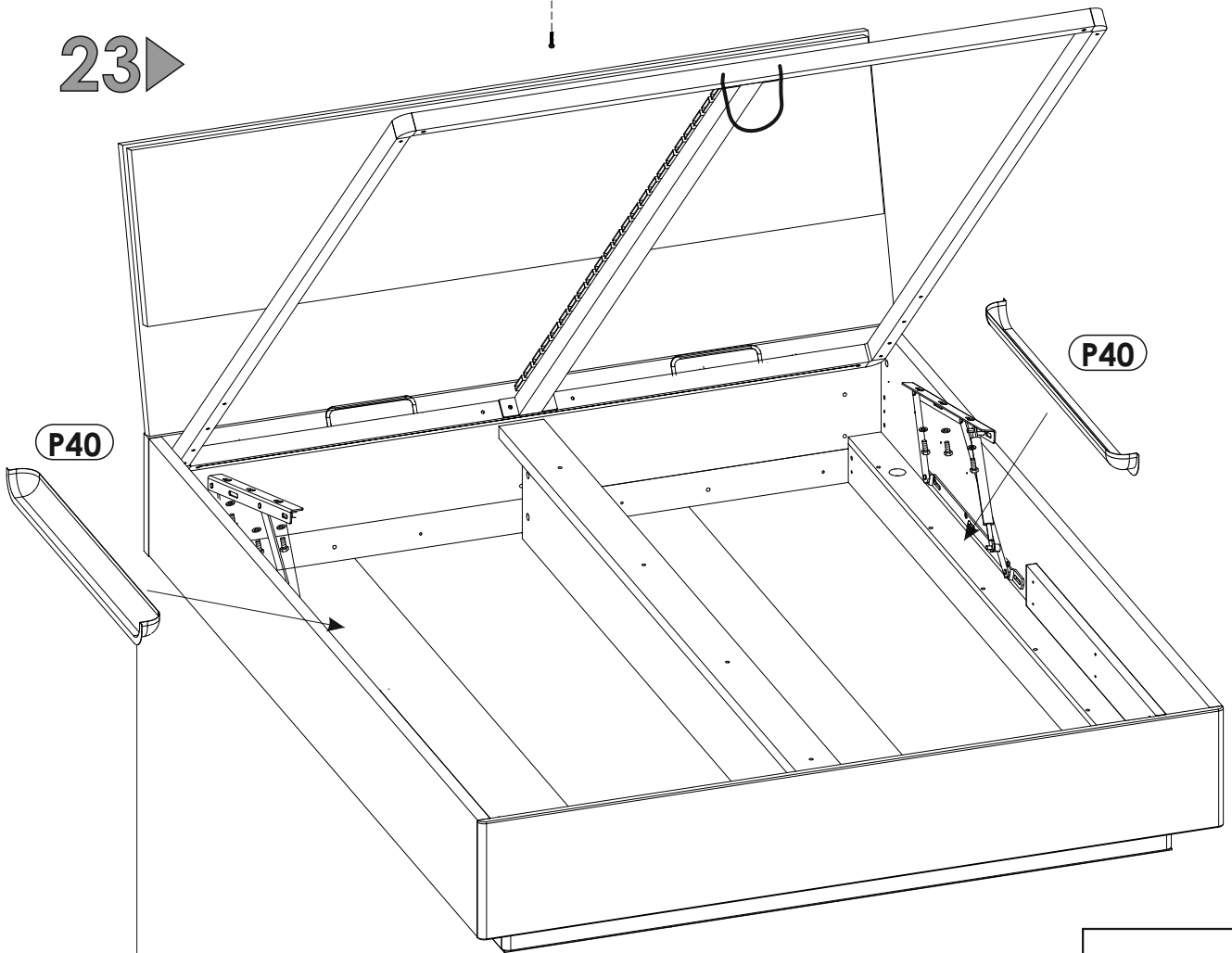
21 ▶



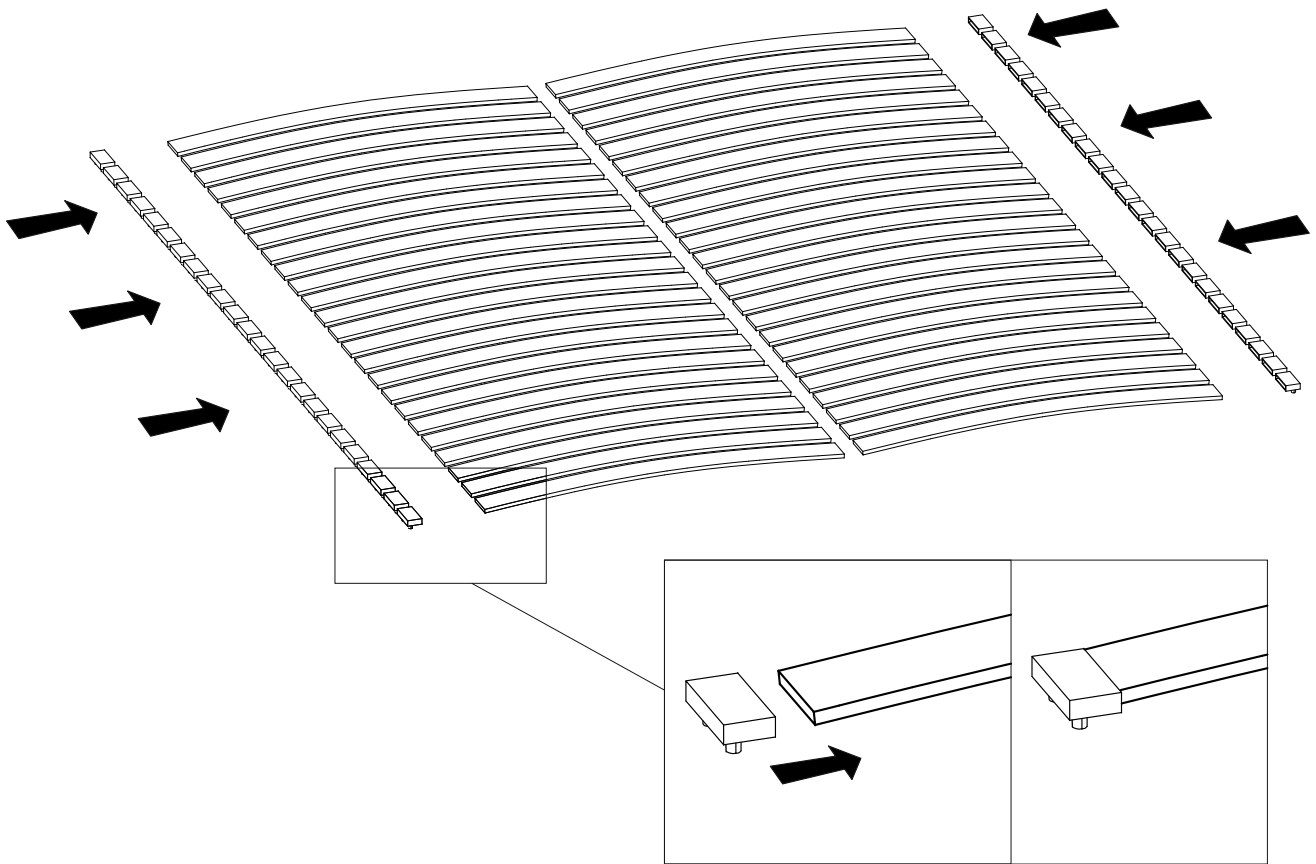
22 ▶



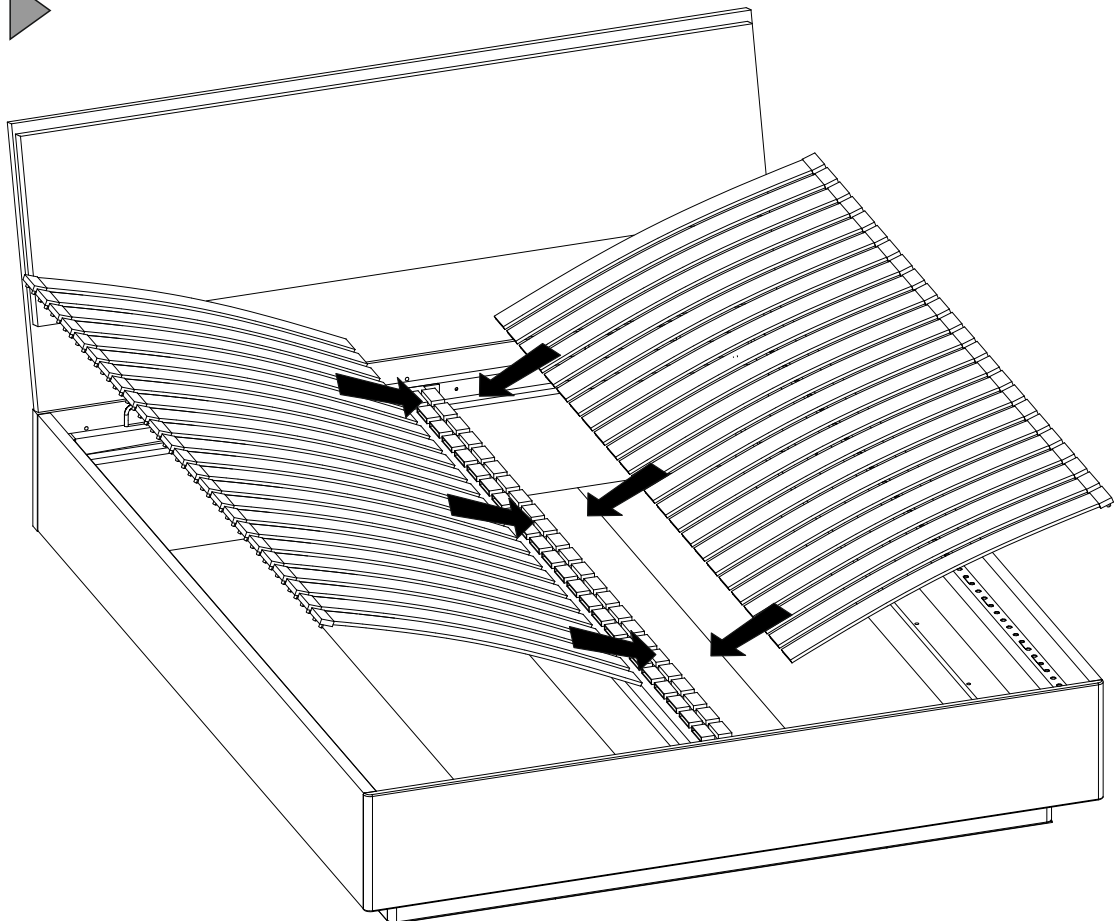
23 ▶



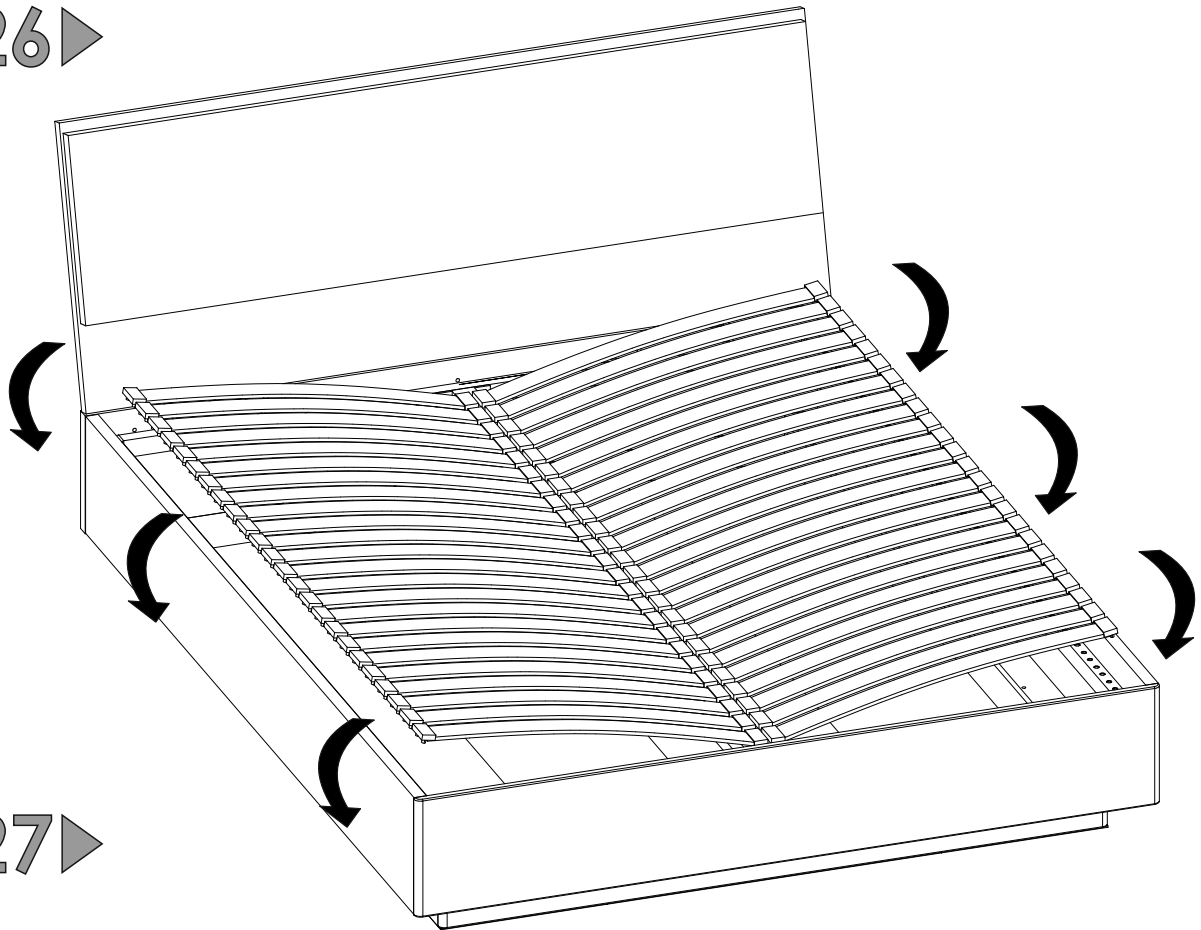
24▶



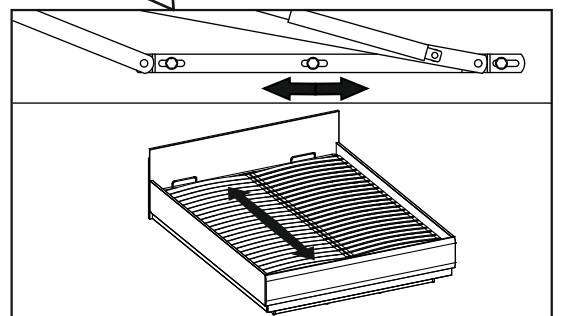
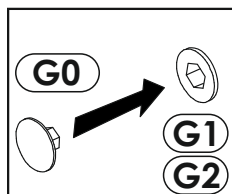
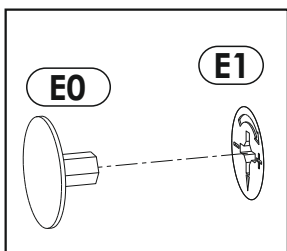
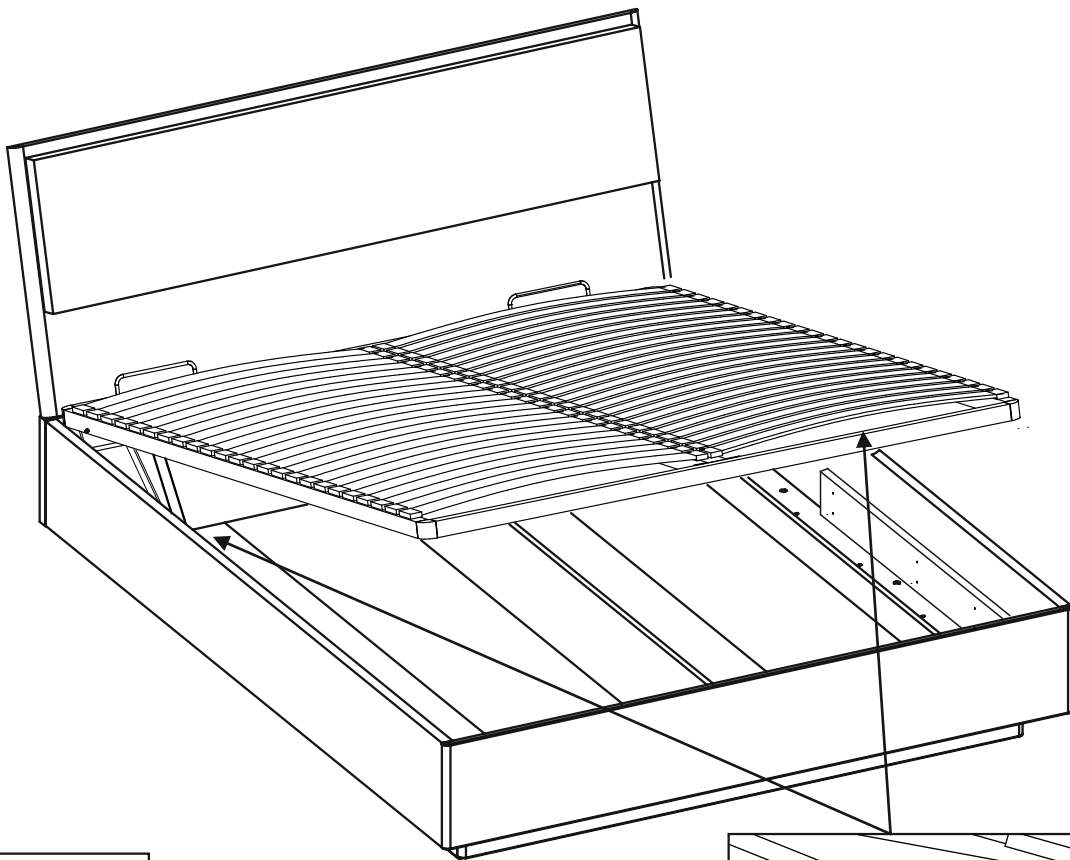
25▶



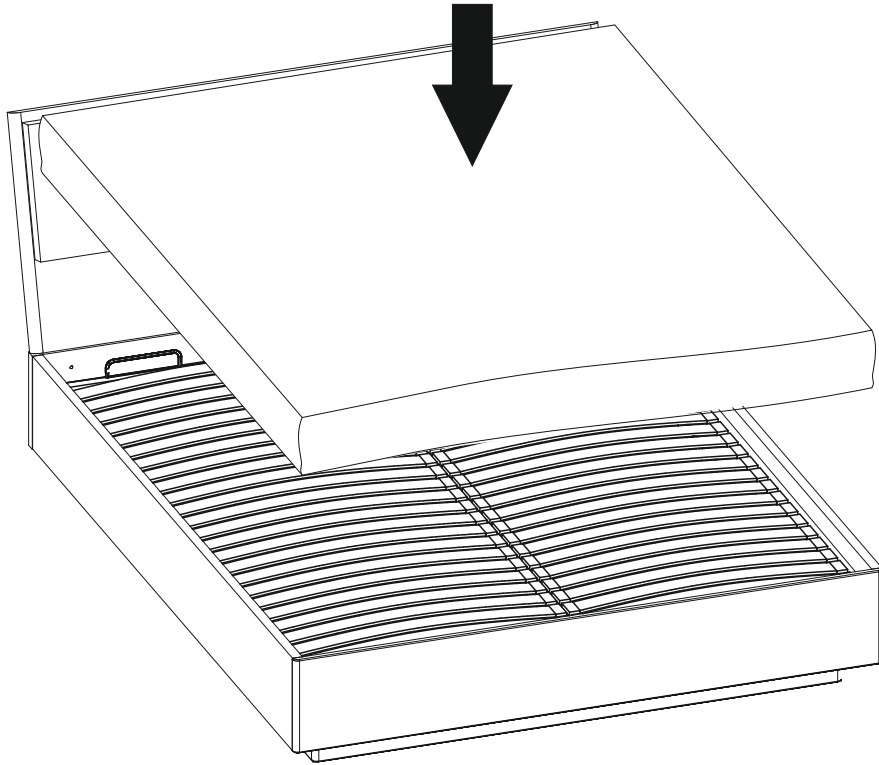
26 ▶



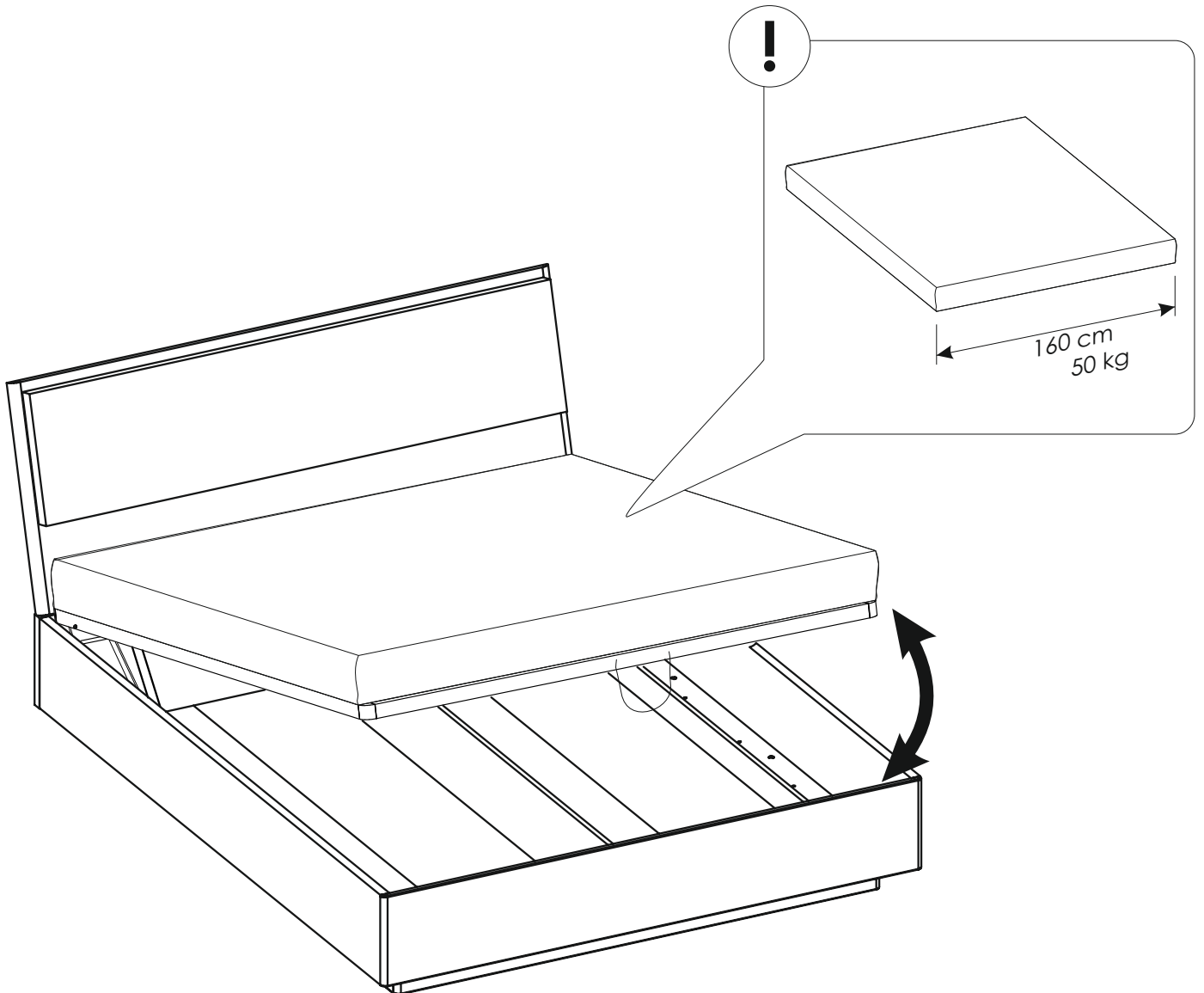
27 ▶

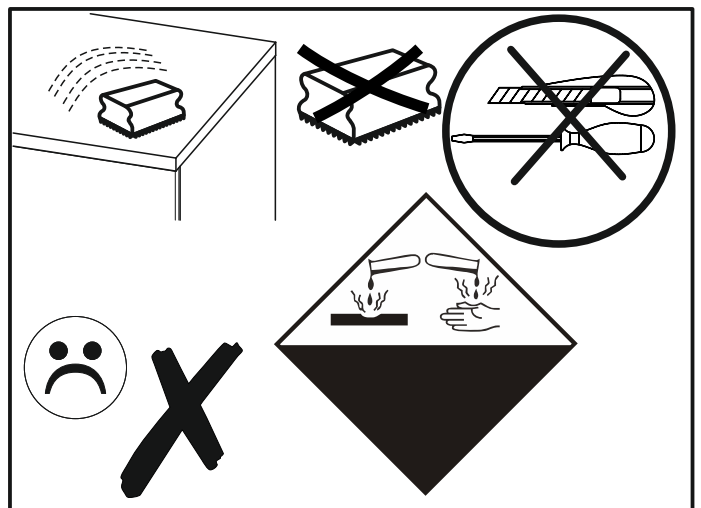
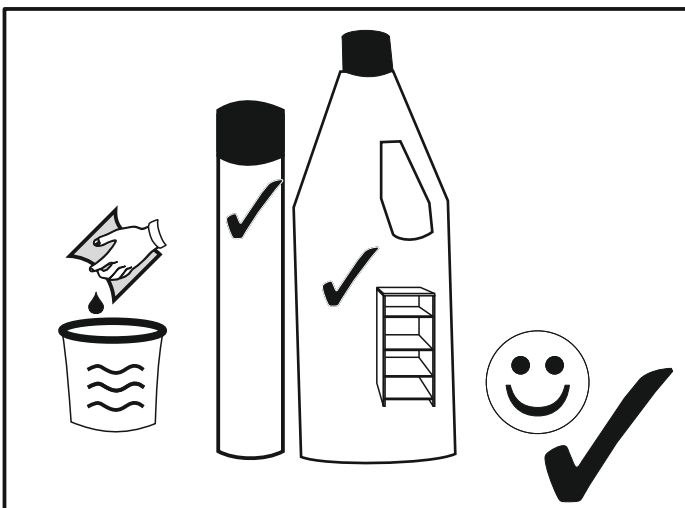
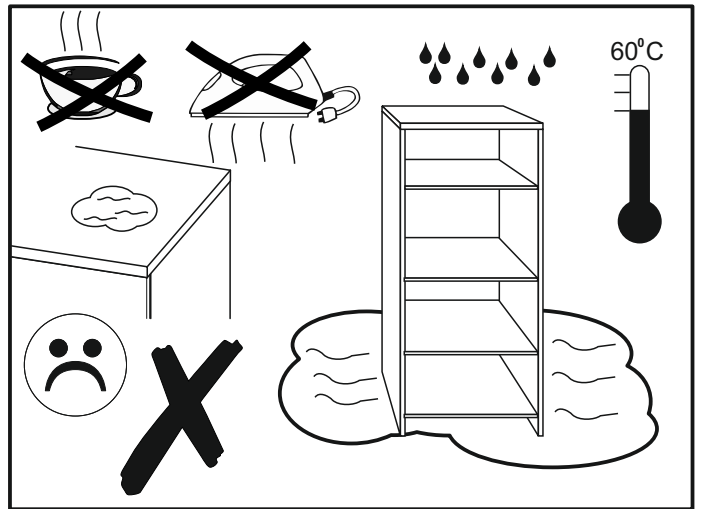
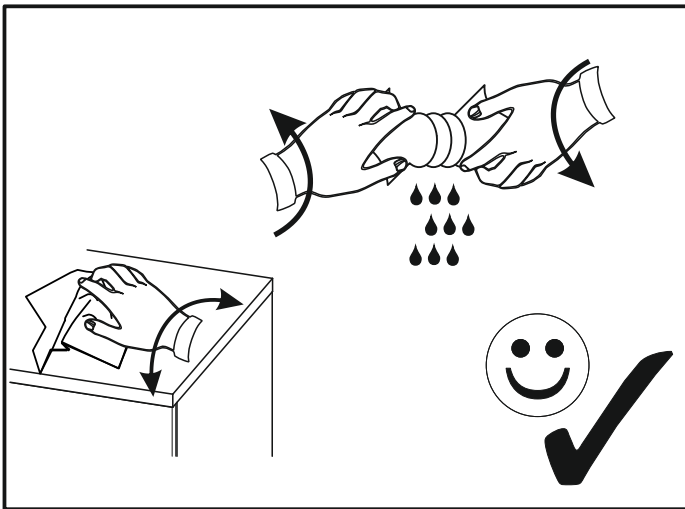
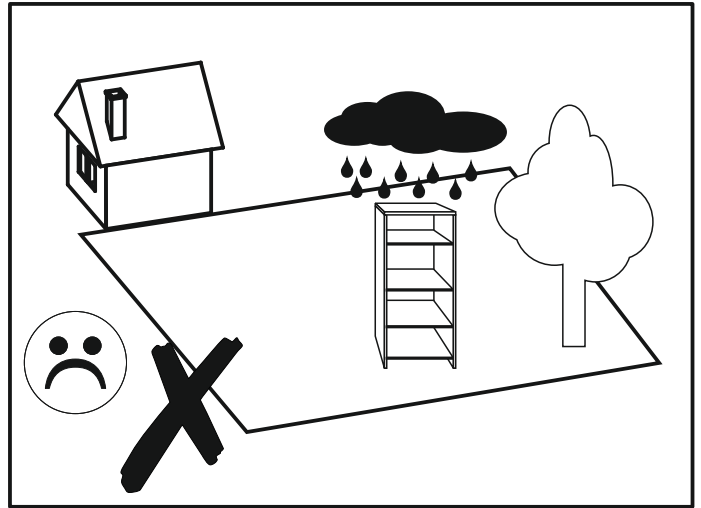
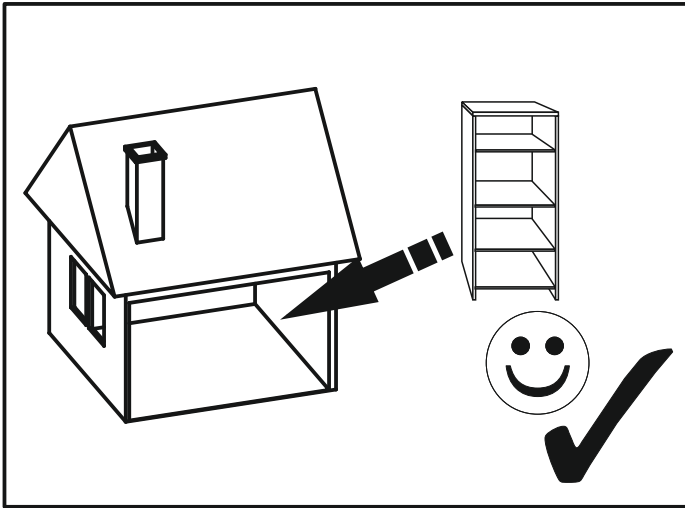
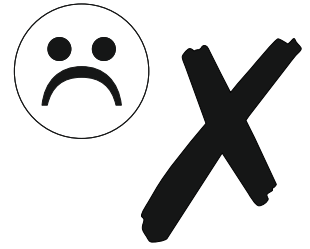


28 ▶

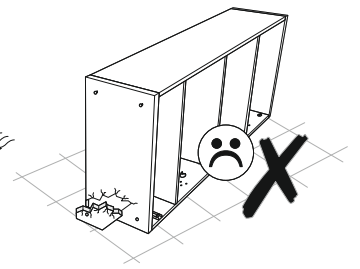
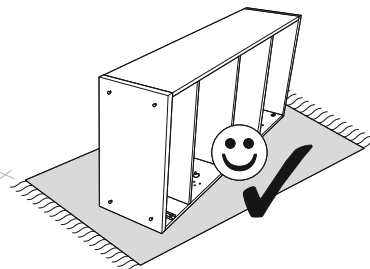
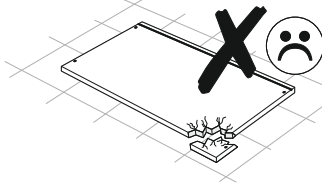
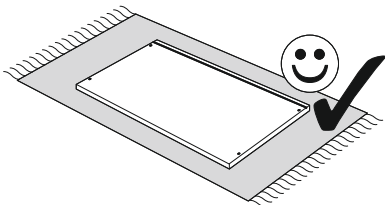
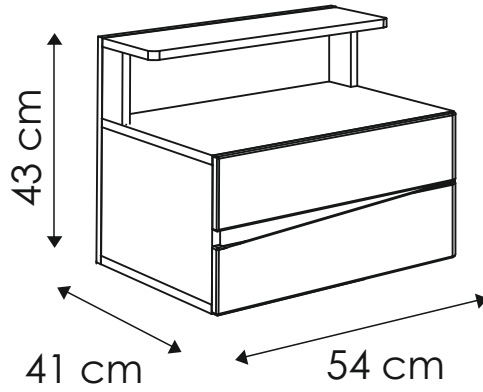
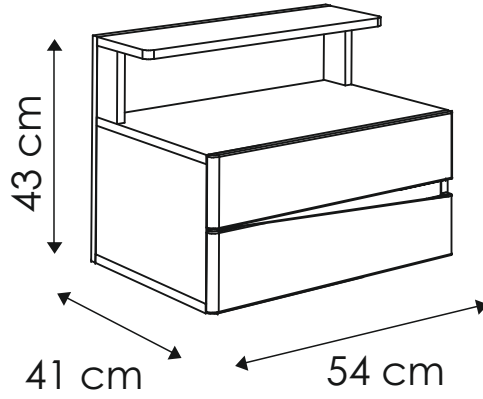
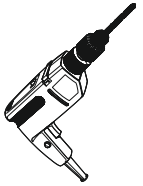
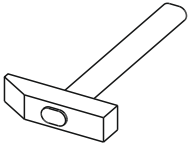
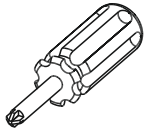
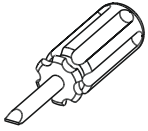
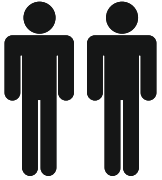
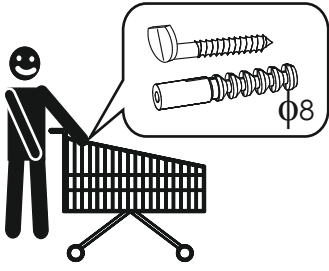


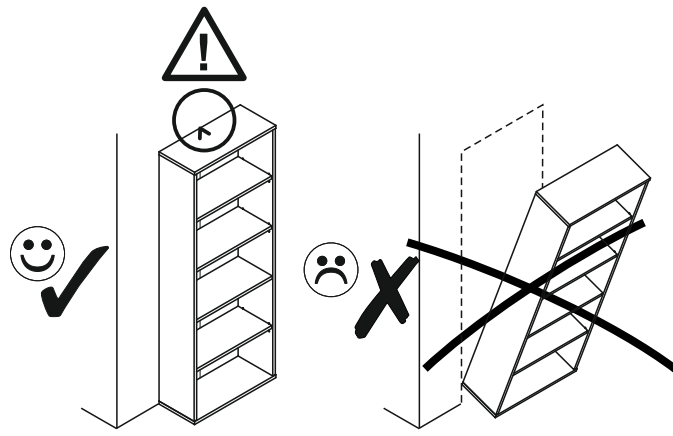
29 ▶

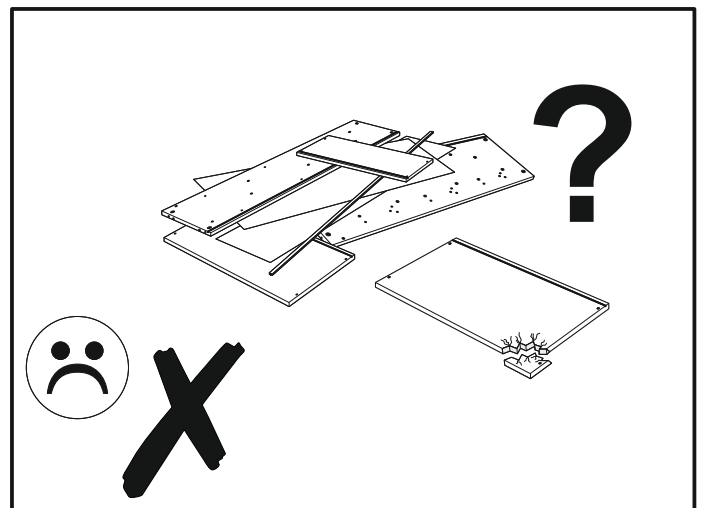
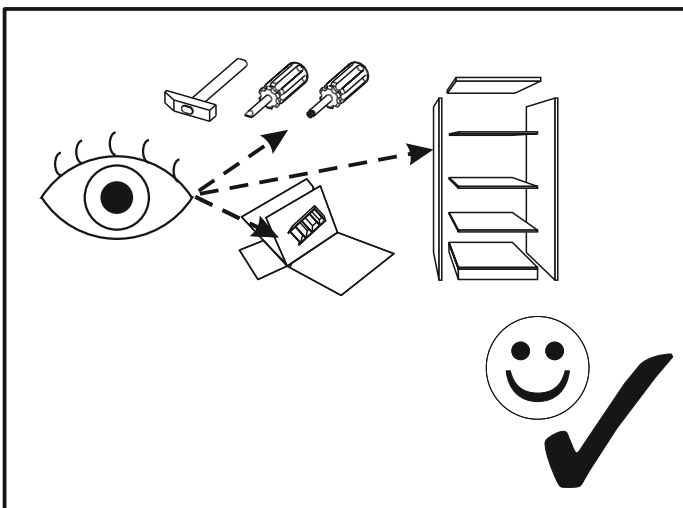
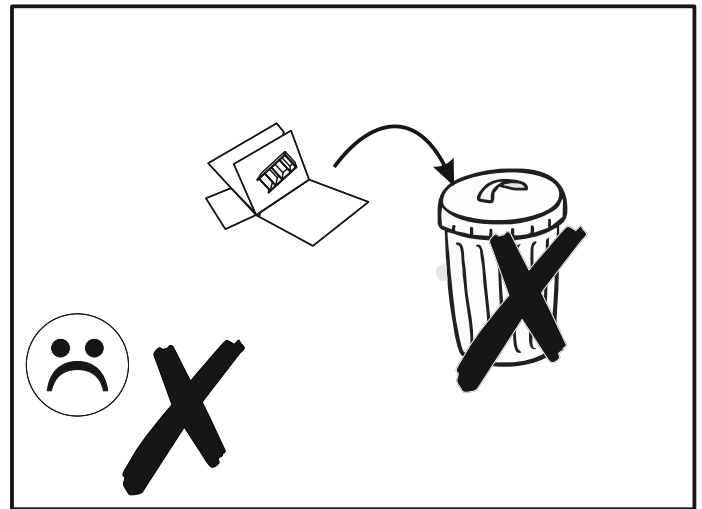
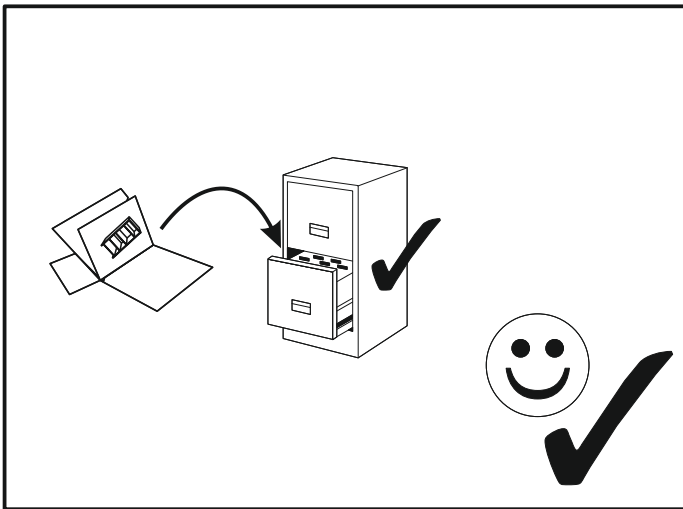
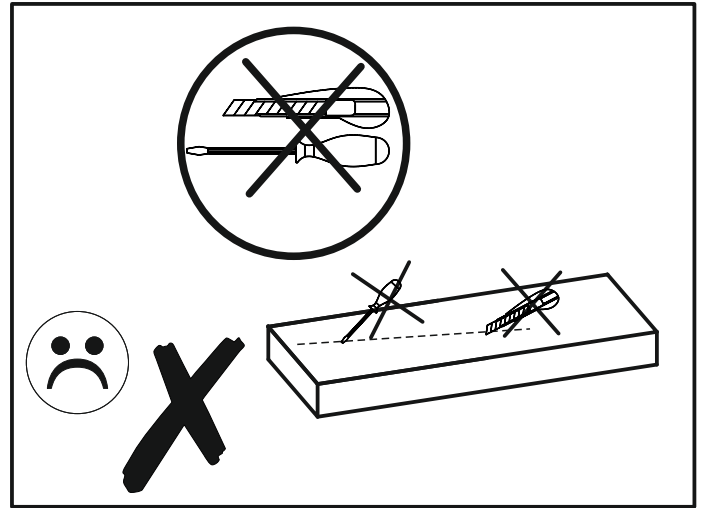
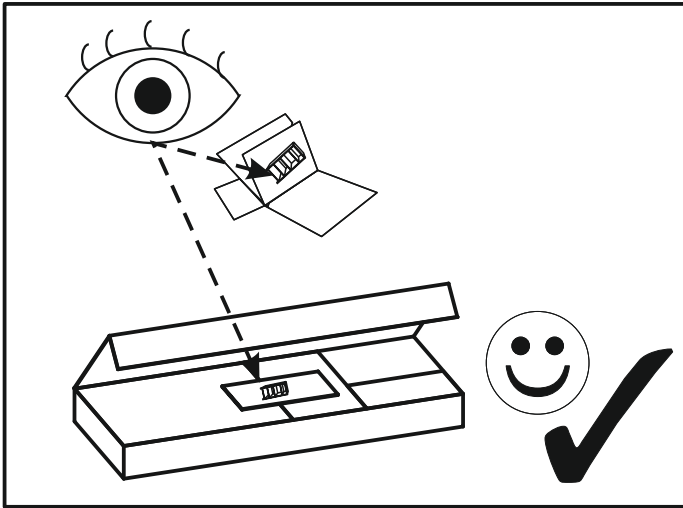


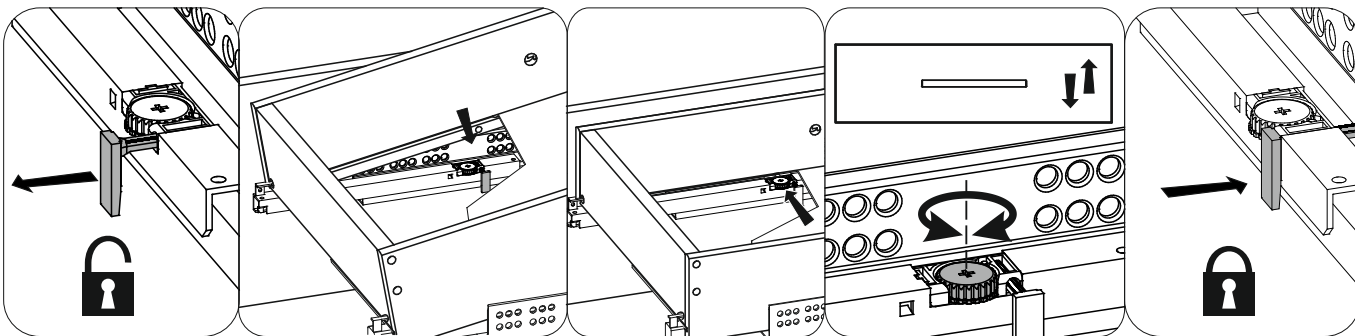
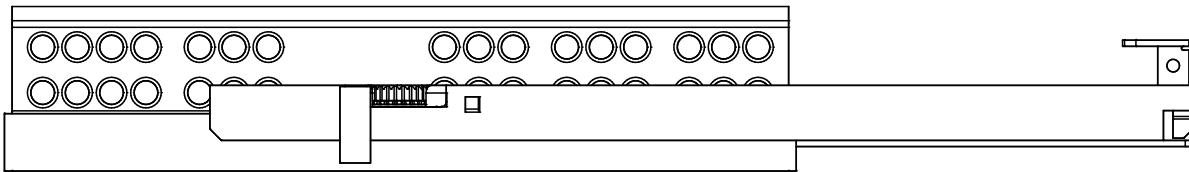
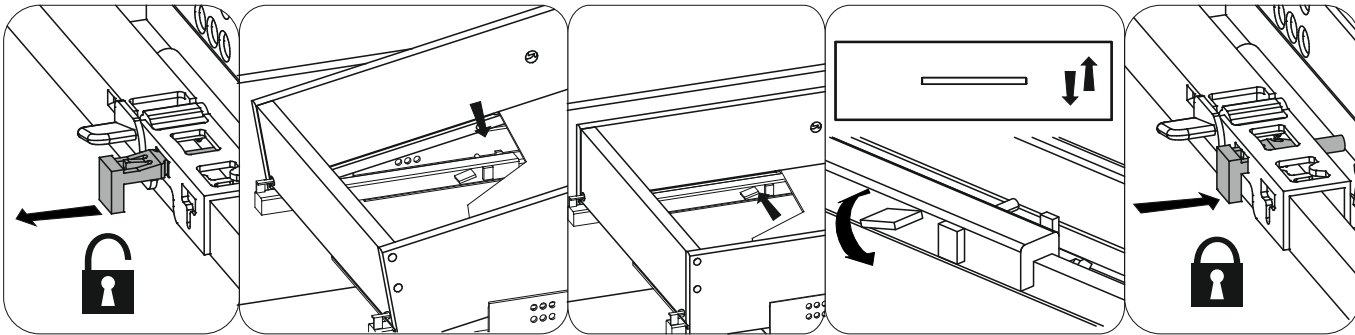
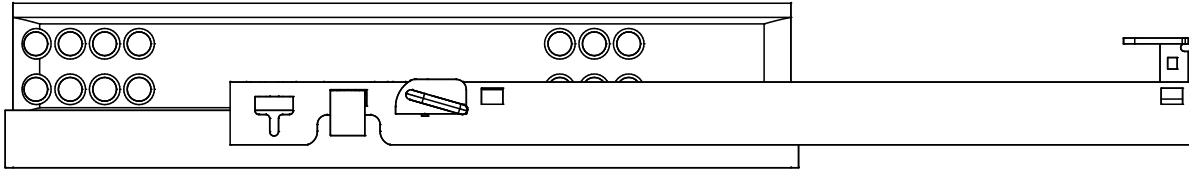
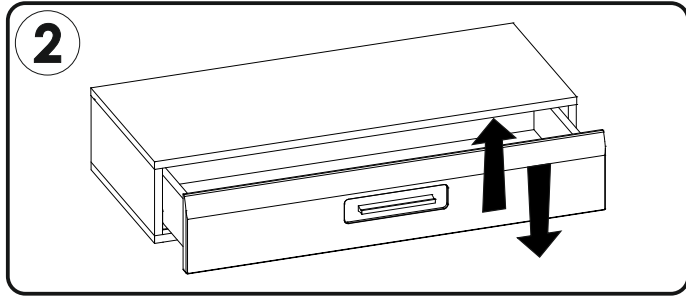
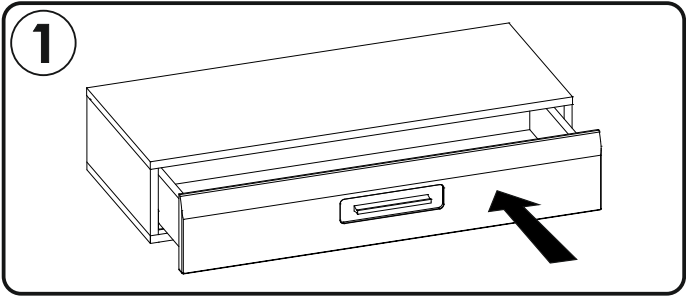





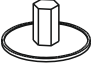


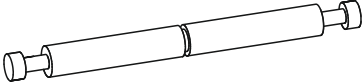



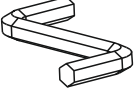

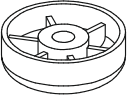


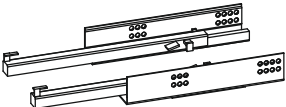
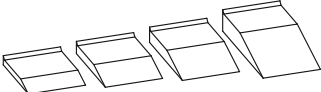


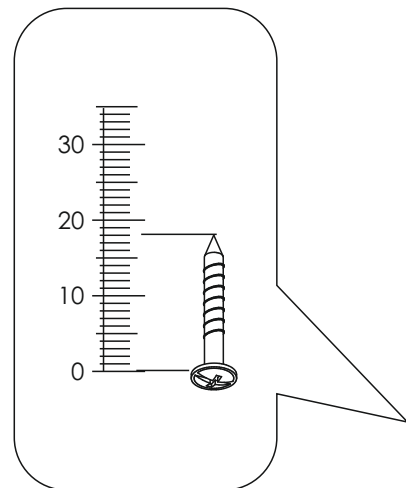
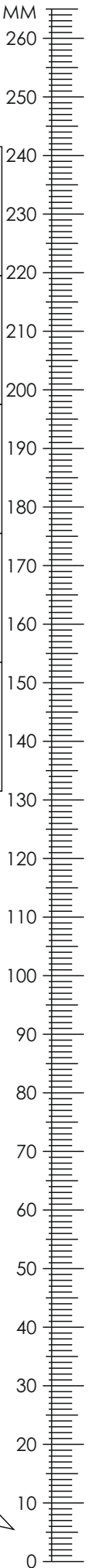




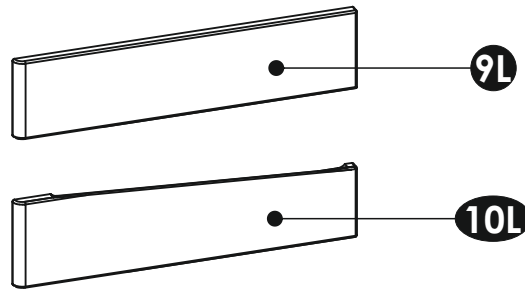
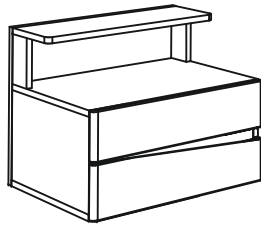




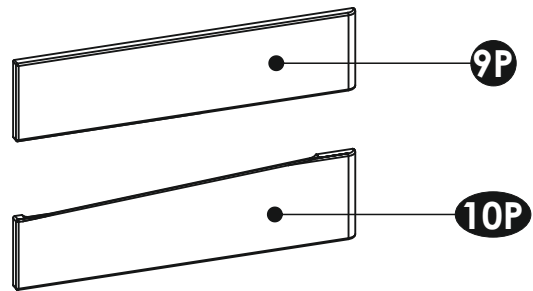
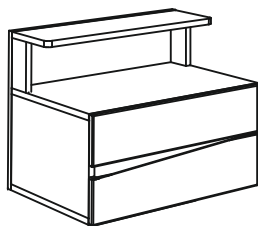
<b>A1</b> x29 $\varnothing 8 \times 35$ mm 	<b>A3</b> x2 $\varnothing 8 \times 60$ mm 	<b>C2</b> x12 EURO 5 x 13 mm 
<b>E0</b> x12 	<b>E1</b> x12 	<b>F1</b> x8 
<b>F4</b> x2 $\varnothing 7 \times 76$ mm 	<b>G0</b> x14 	<b>G1</b> x14 $\varnothing 7 \times 50$ mm 
<b>I10</b> x4 3,5 x 22mm 	<b>M</b> x1 	<b>N1</b> x8 3 x 16 mm 
<b>O1</b> x4 	<b>P1</b> x2 	<b>R4</b> x2 
<b>T10</b> x2 L-360 	<b>Z</b> x1 	



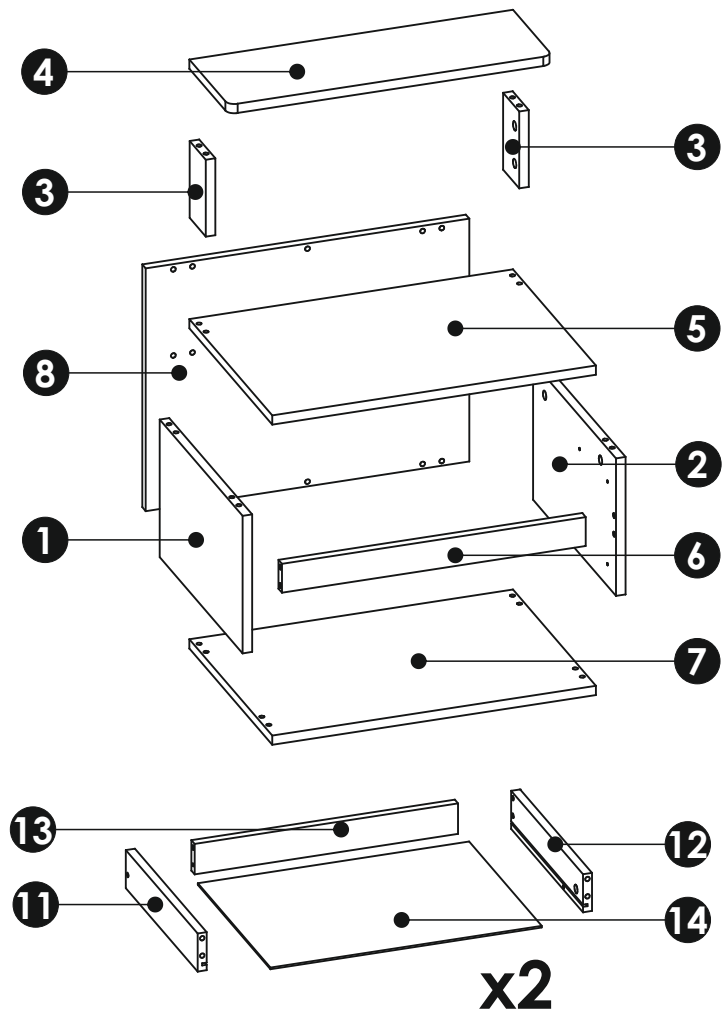
95L

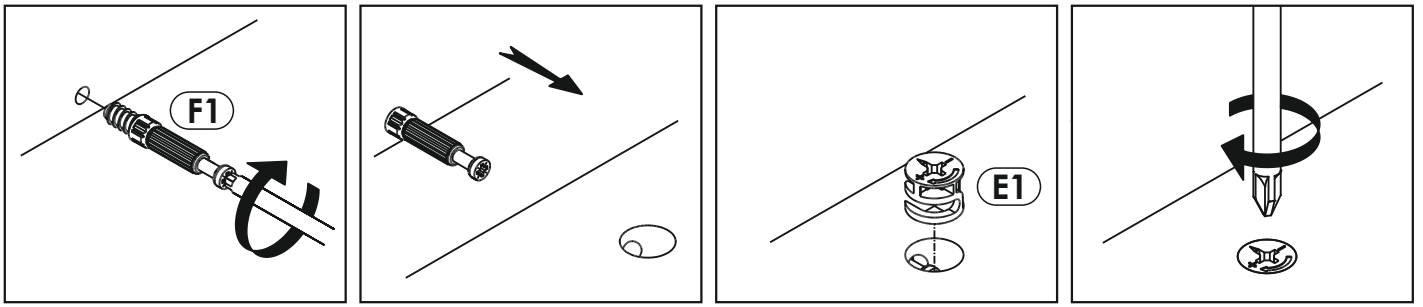


95P

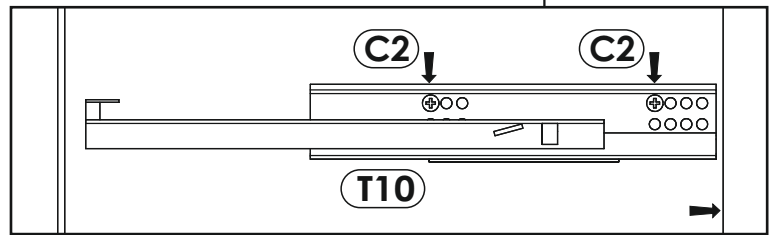
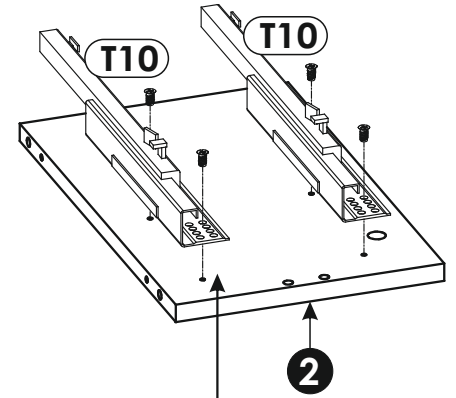
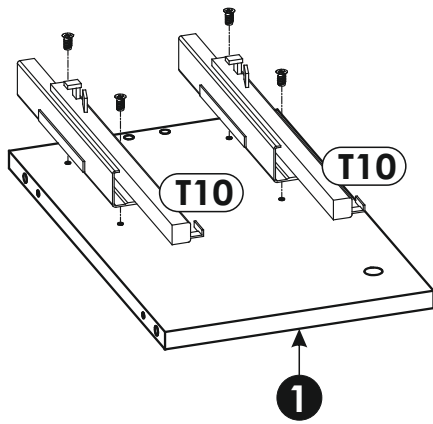
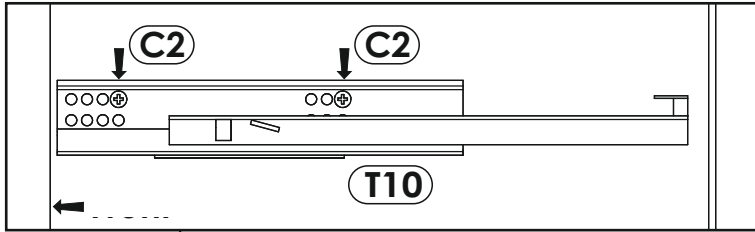


1	238	380	16	x1	1/1
2	238	380	16	x1	1/1
3	133	74	16	x2	1/1
4	540	180	16	x1	1/1
5	540	380	16	x1	1/1
6	507	50	16	x1	1/1
7	540	380	16	x1	1/1
8	540	420	16	x1	1/1
9	538	127	16	x1	1/1
10	538	140	16	x1	1/1
11	350	70	16	x2	1/1
12	350	70	16	x2	1/1
13	467	56	16	x2	1/1
14	482	355	3	x2	1/1

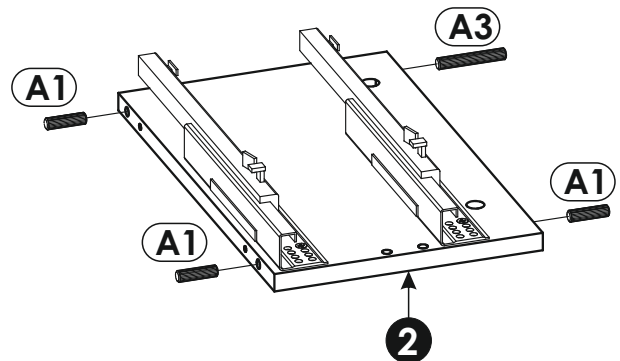
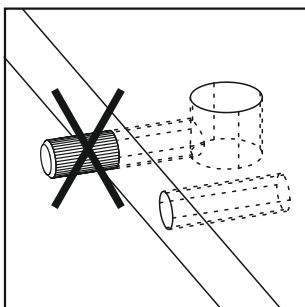
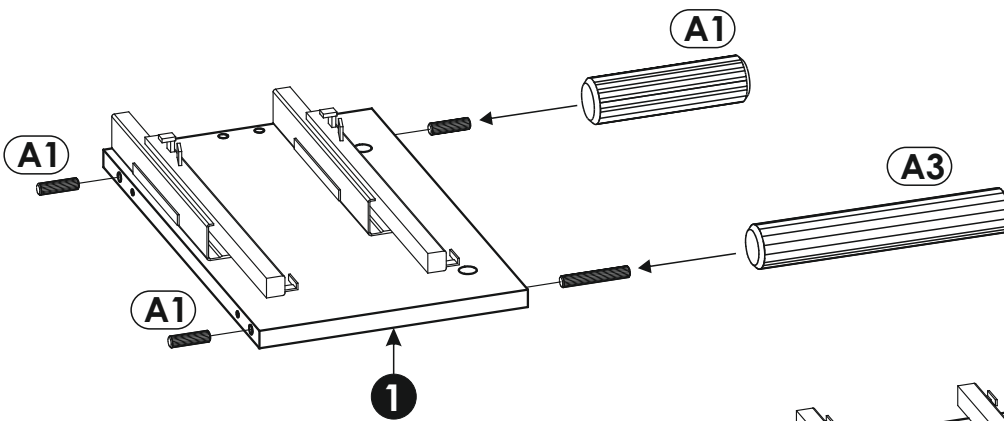




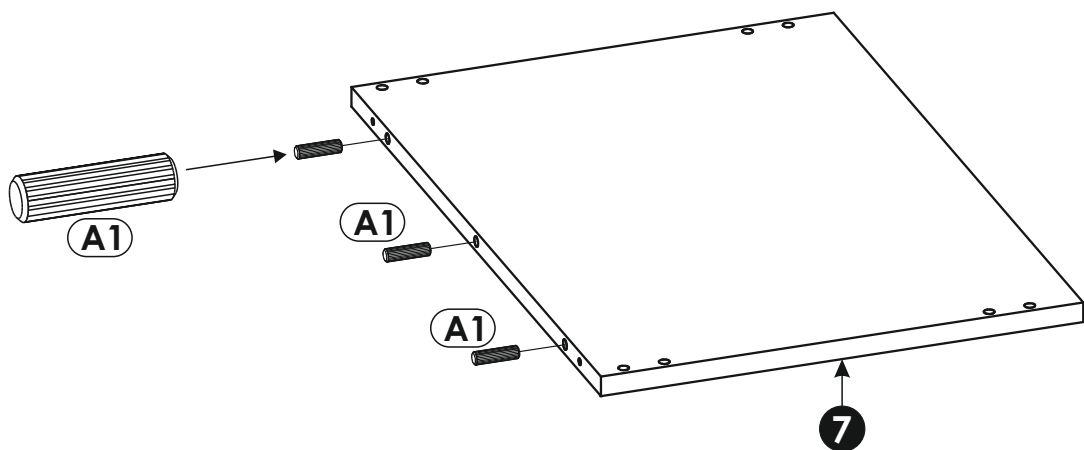
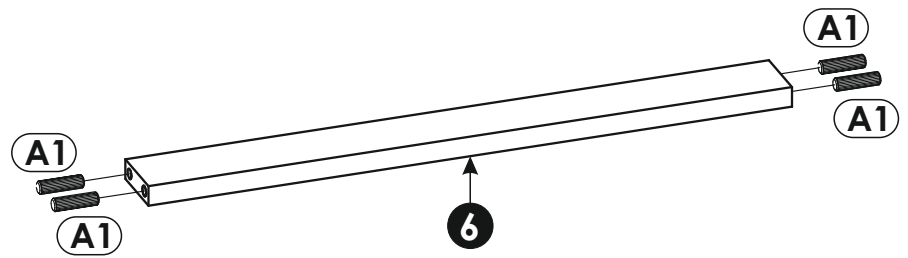
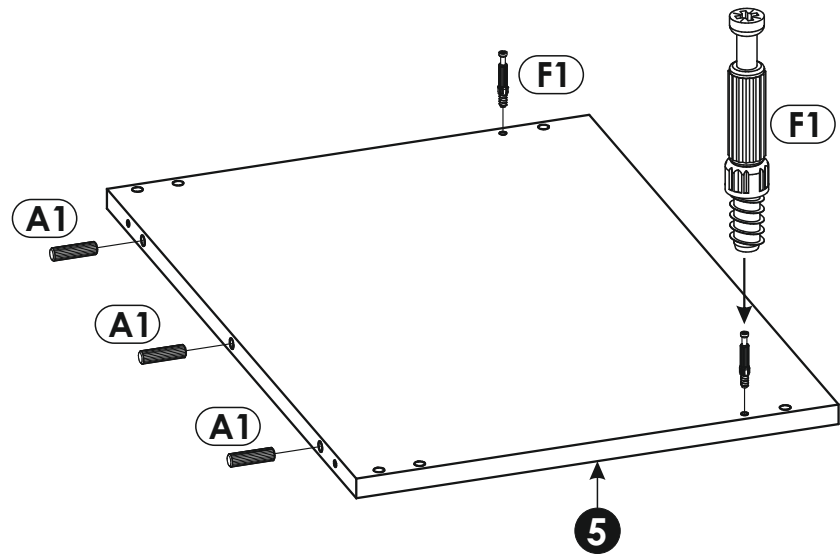
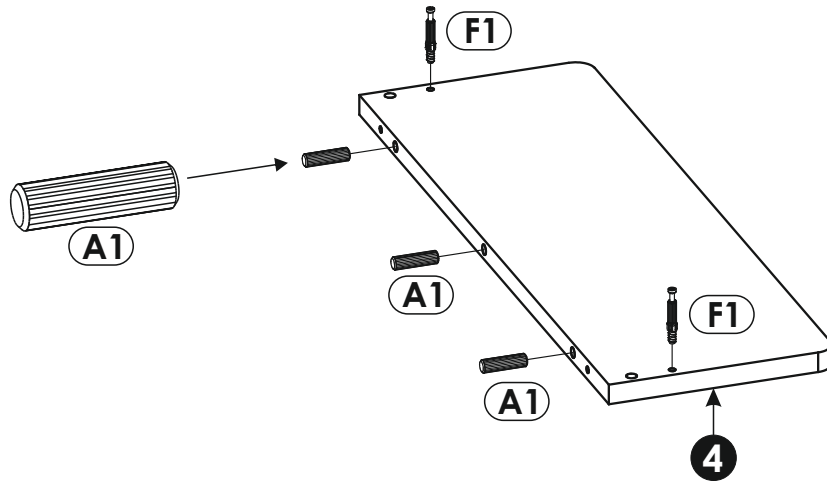
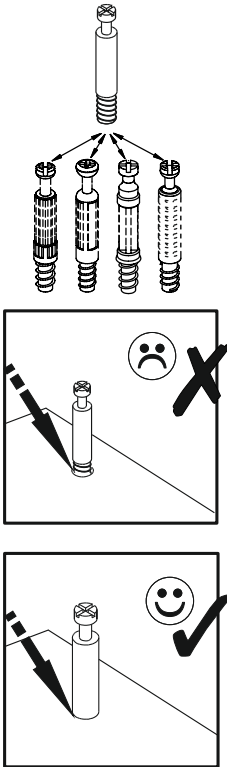
1 ▶



2 ▶

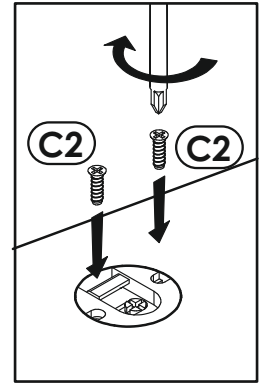
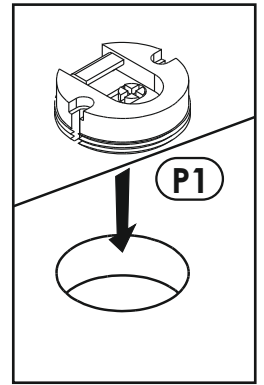
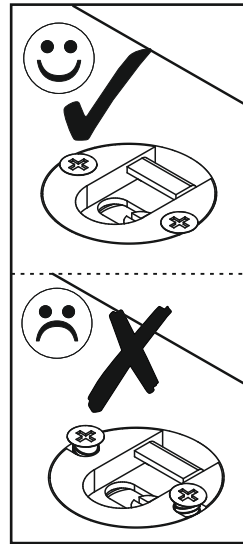
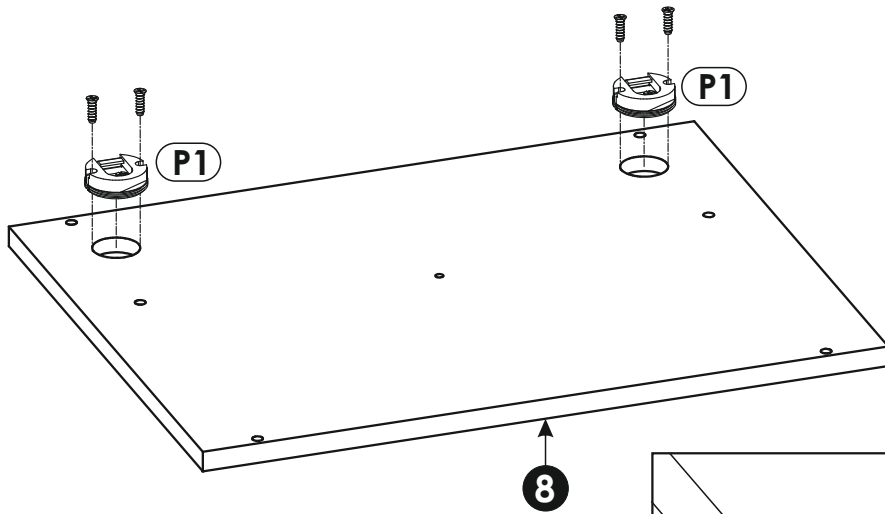


3 ▶

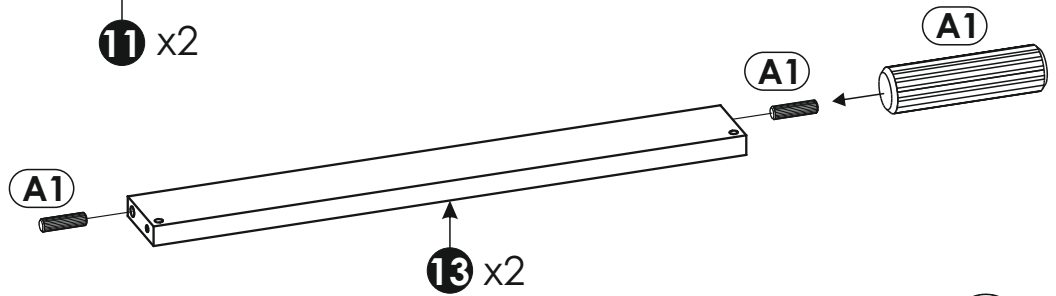
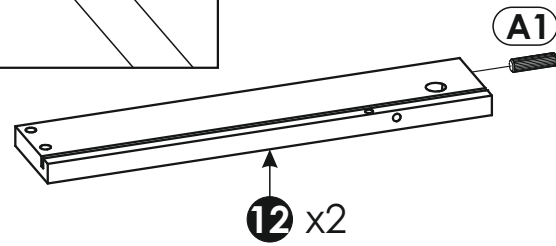
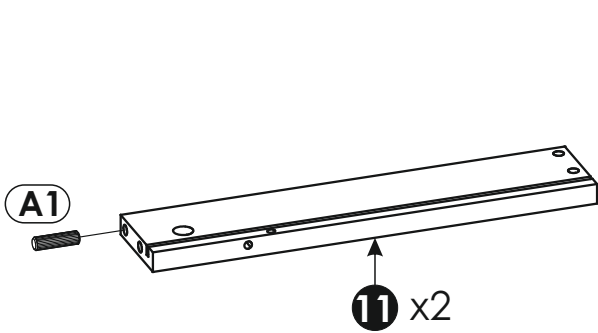
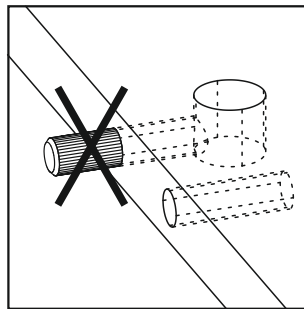




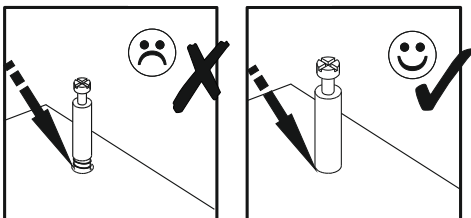
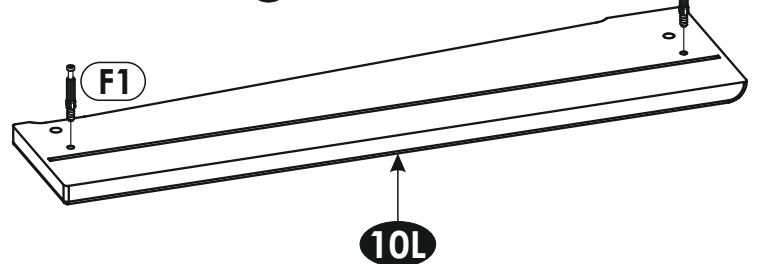
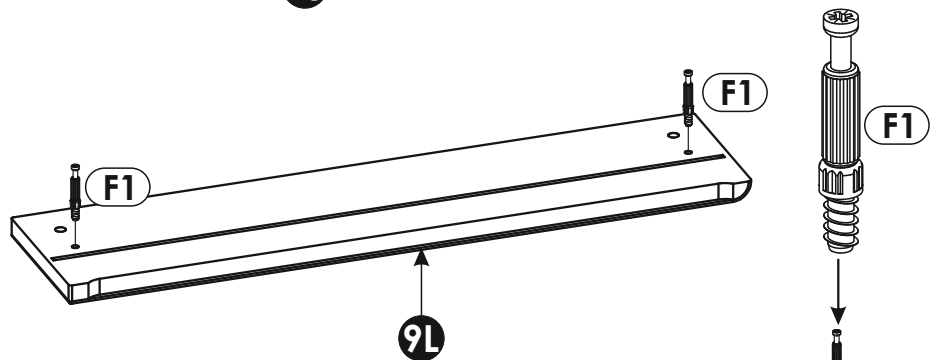
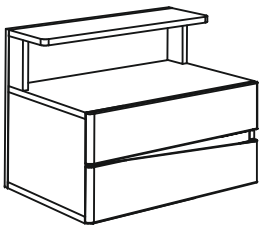
4▶



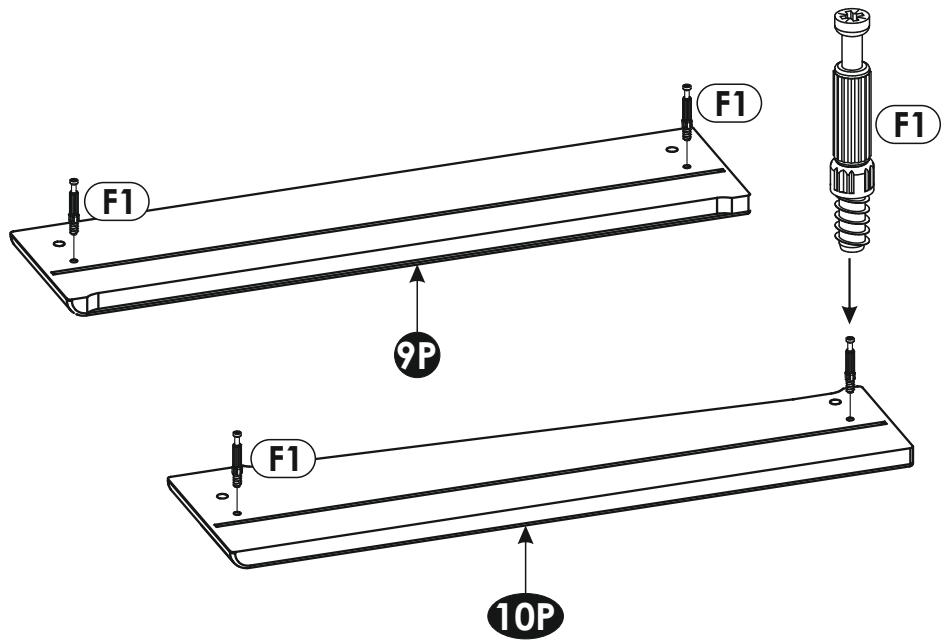
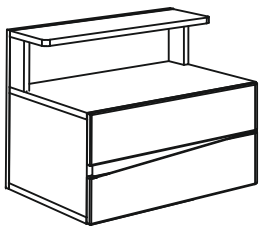
5▶



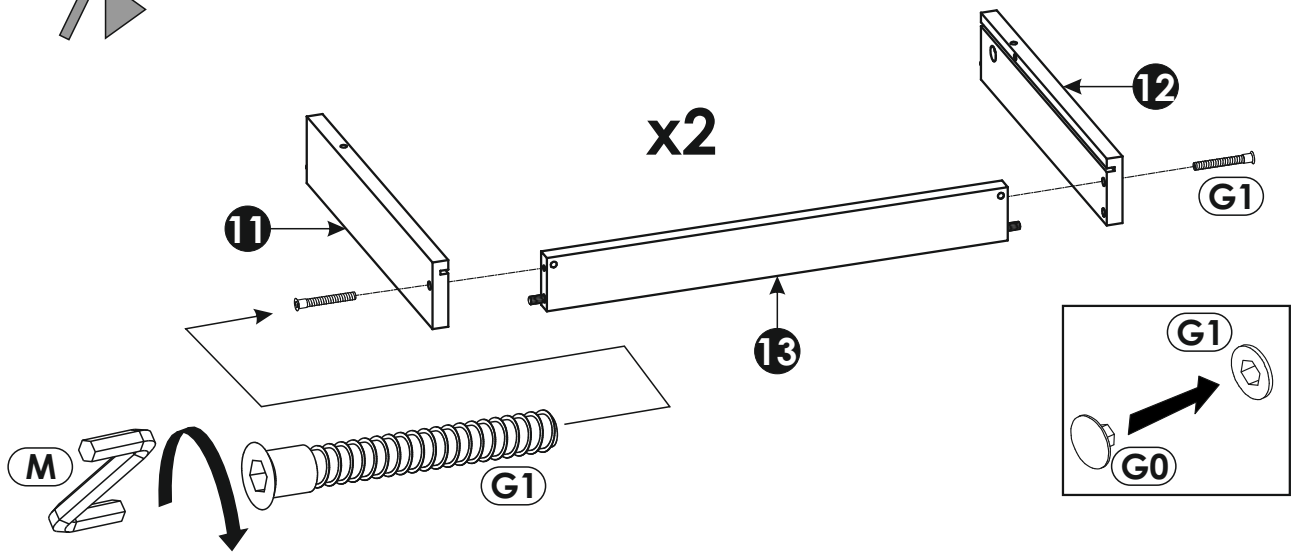
6L▶



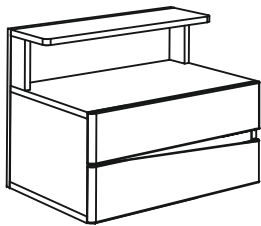
6P ▶



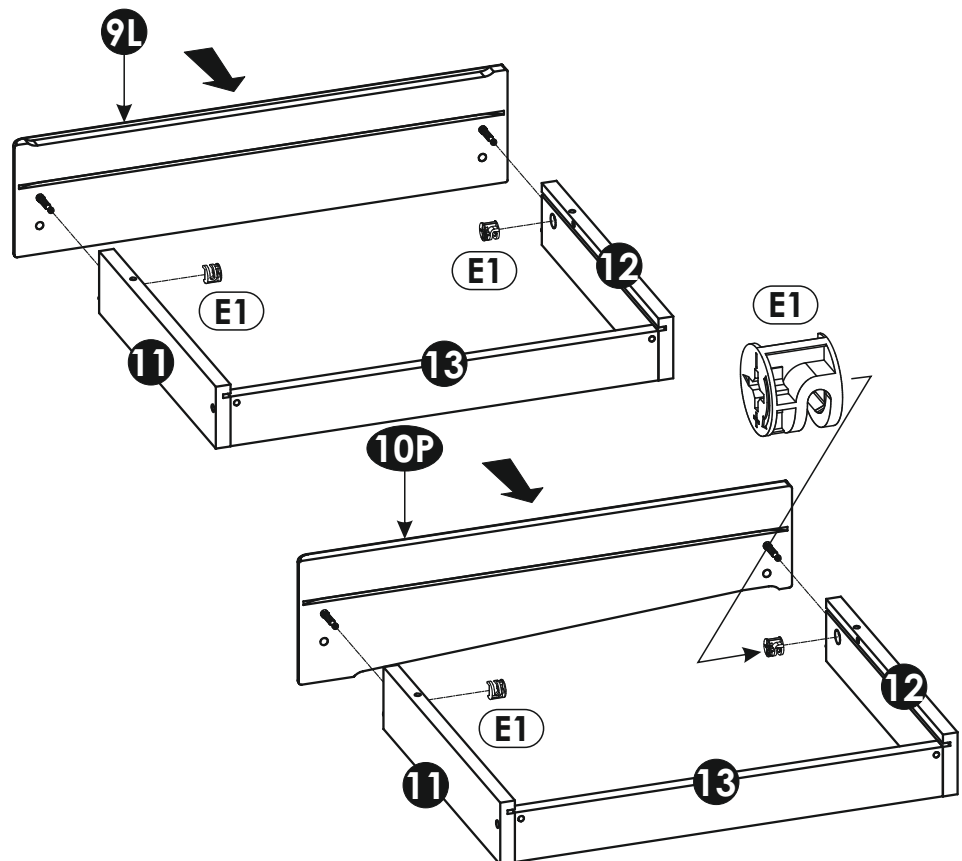
7 ▶



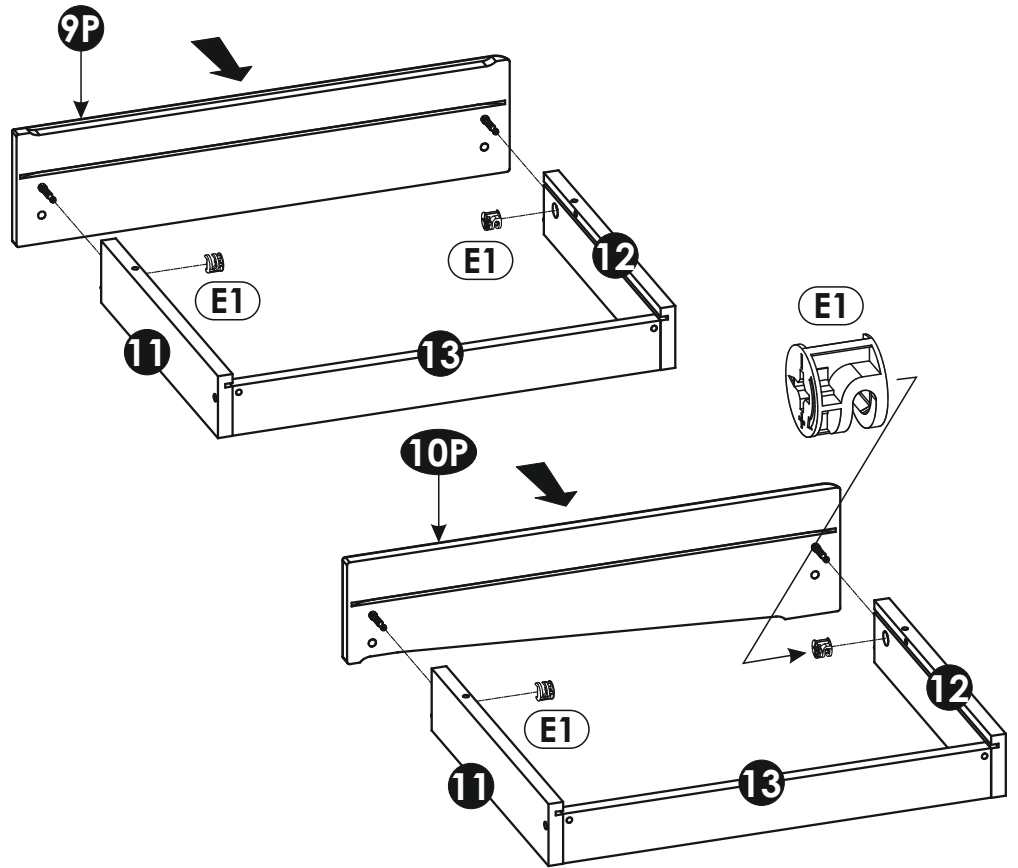
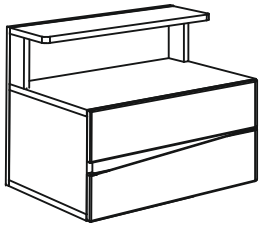
8L ▶



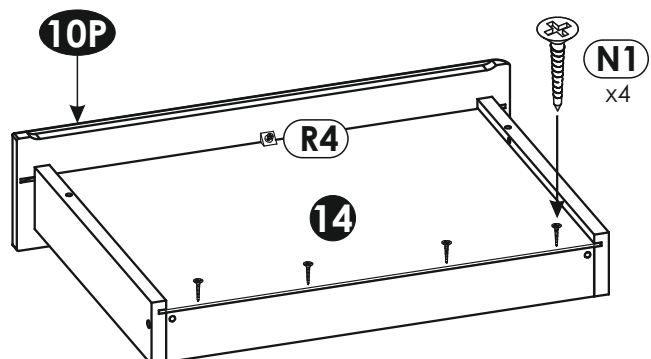
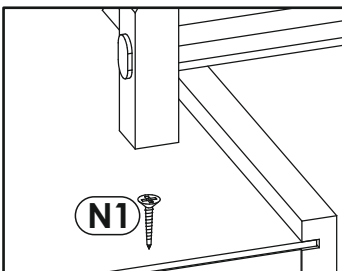
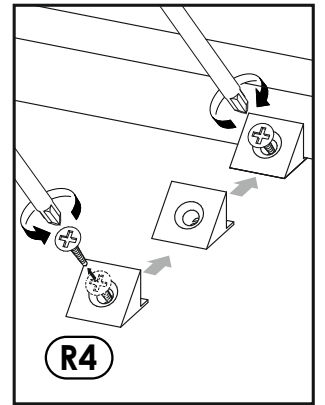
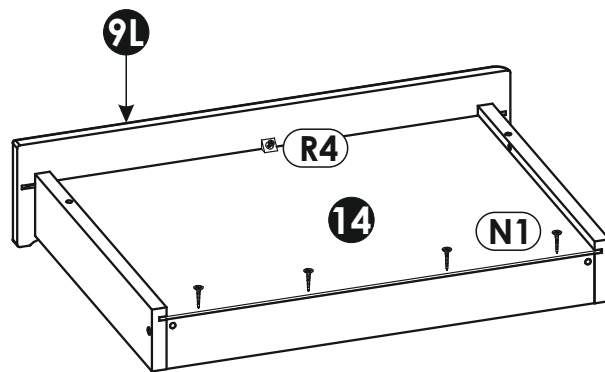
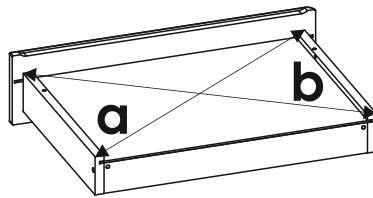
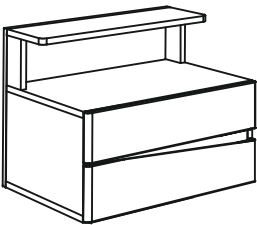
95L



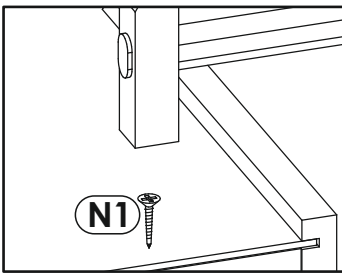
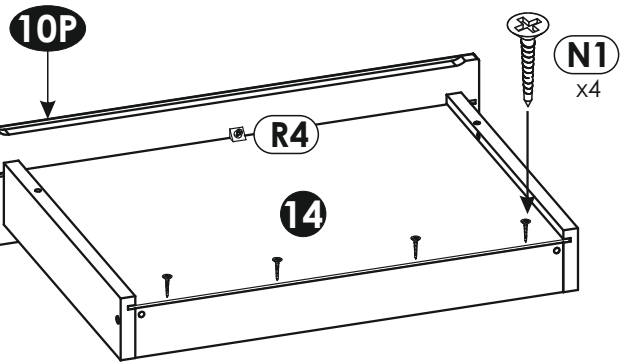
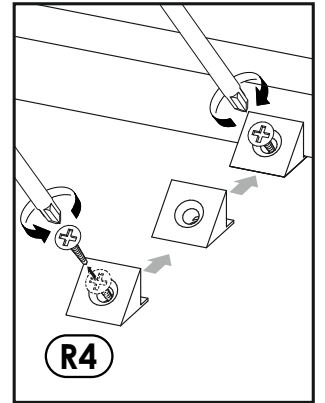
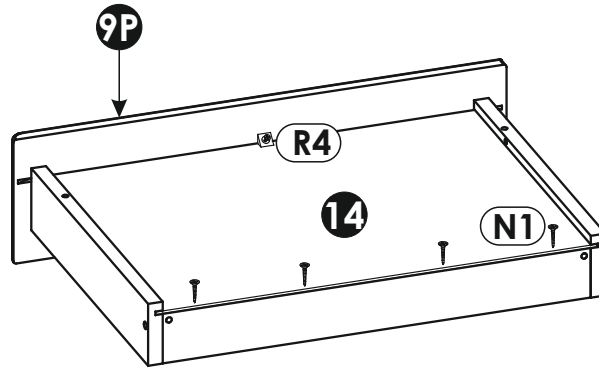
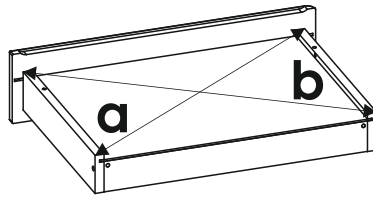
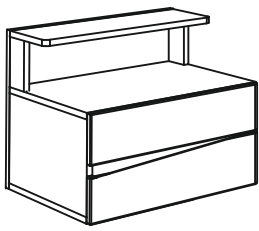
# 8P ▶



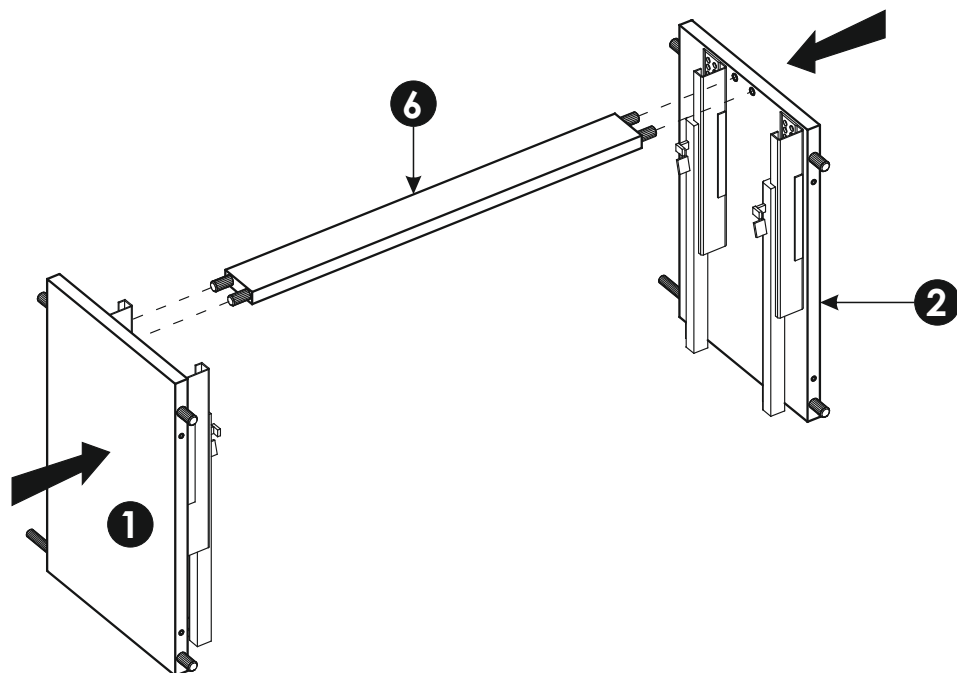
# 9L ▶



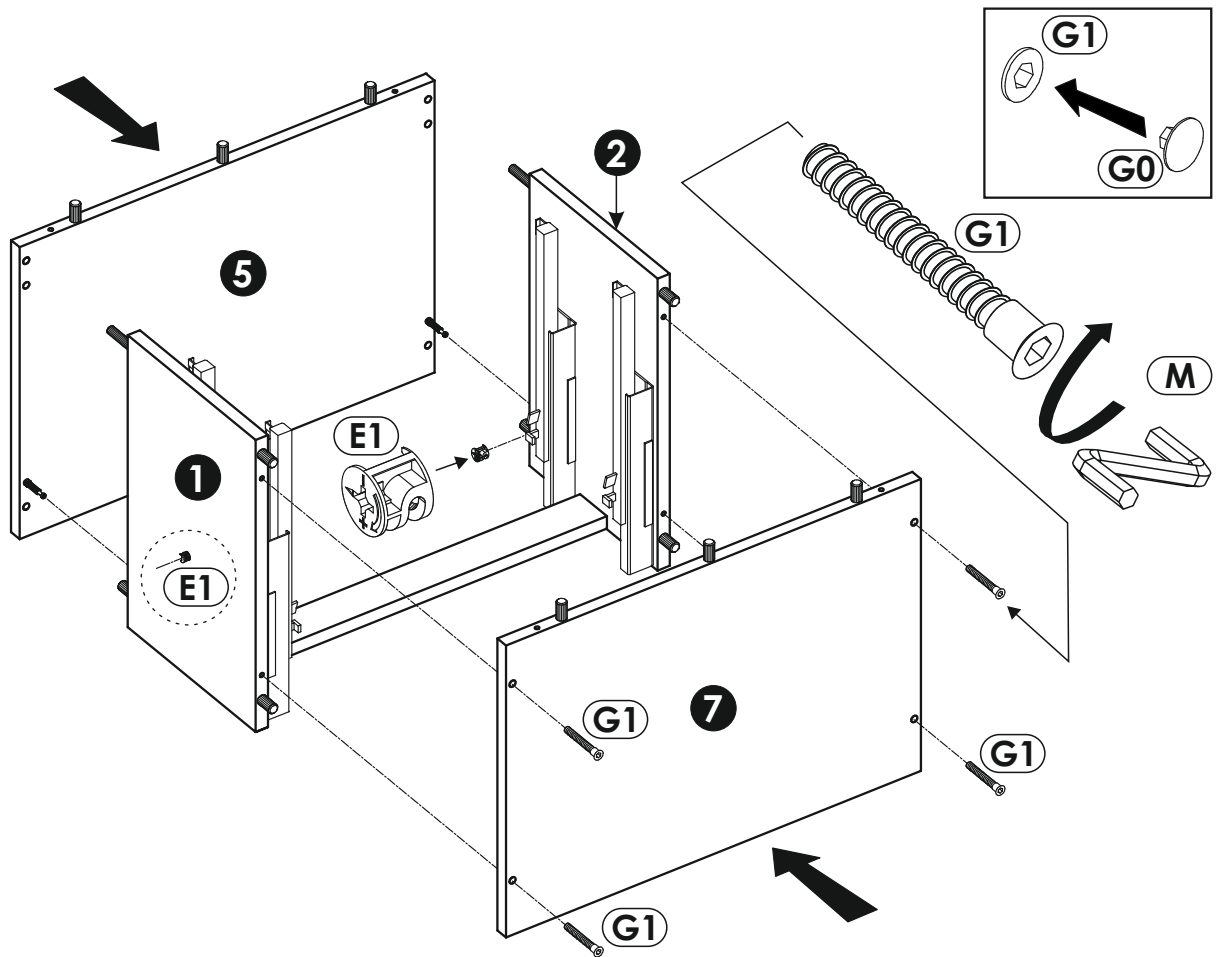
9P ▶



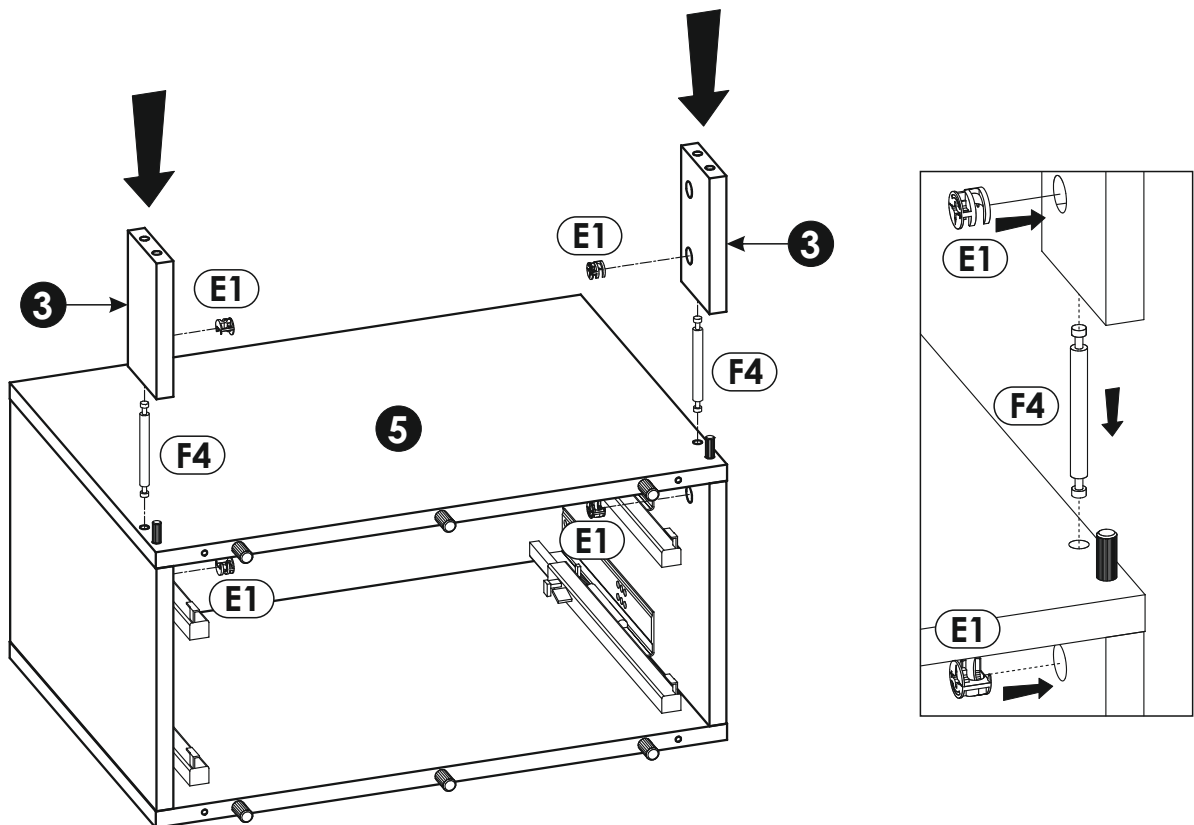
10 ▶



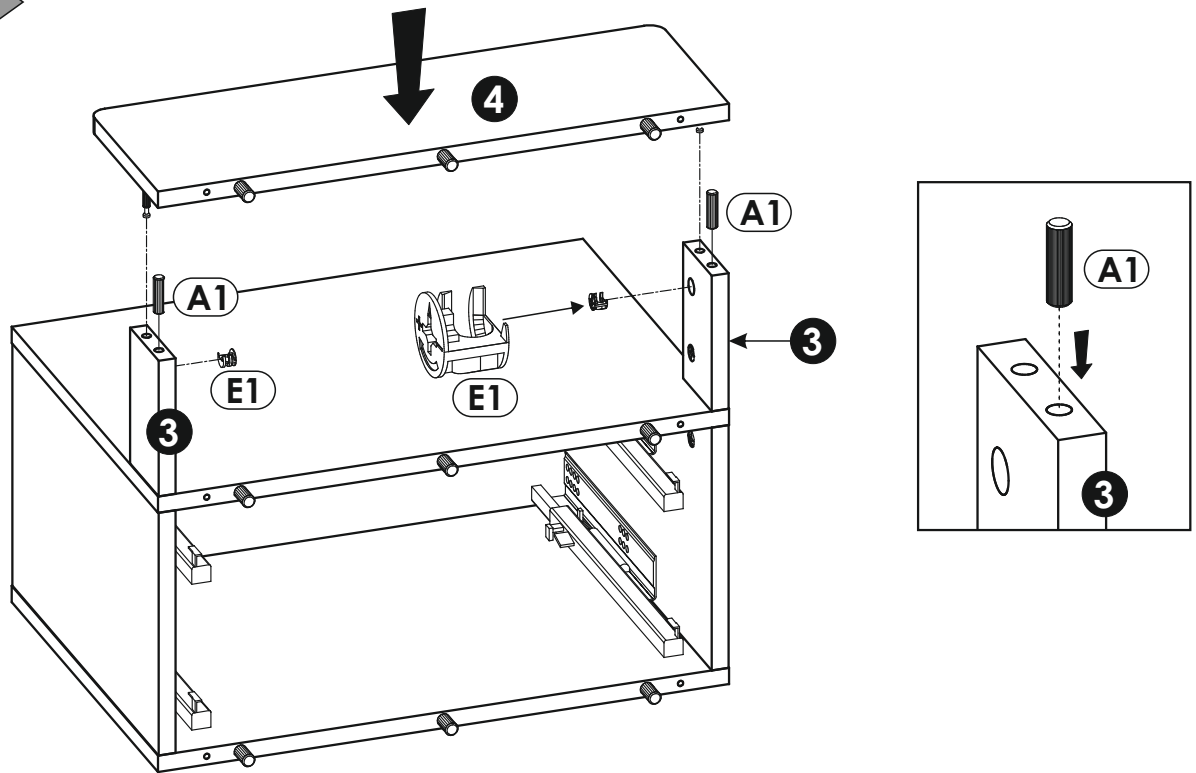
11 ▶



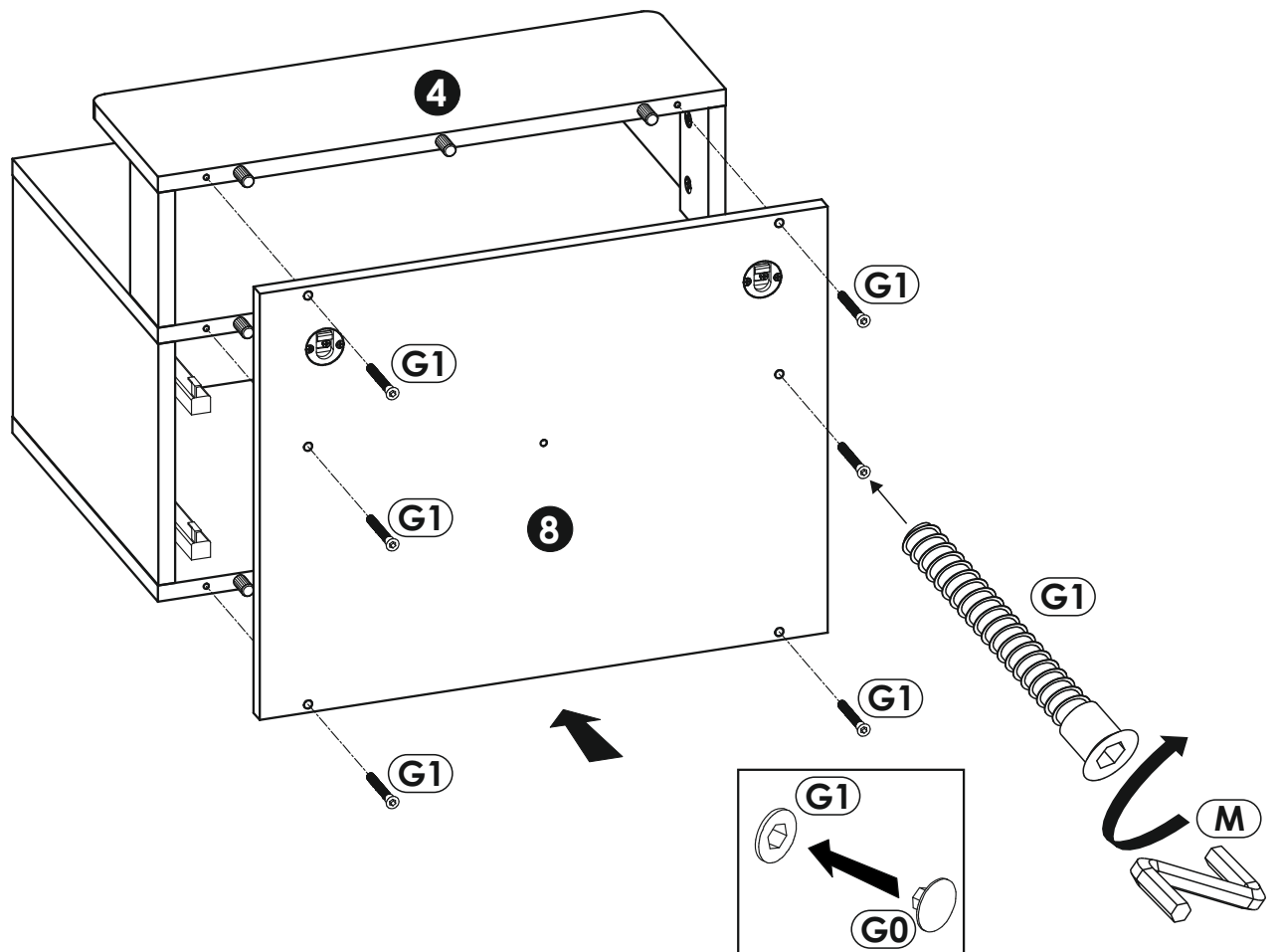
12 ▶



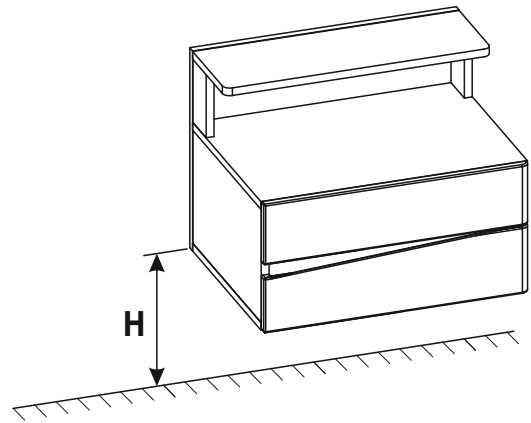
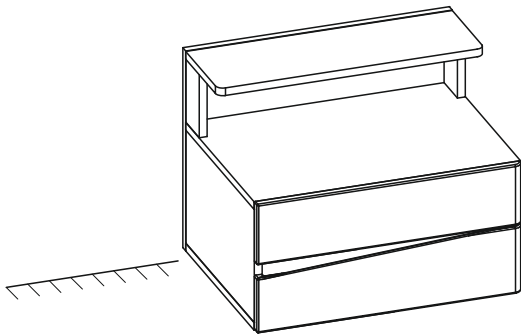
13▶



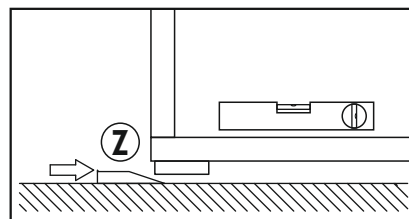
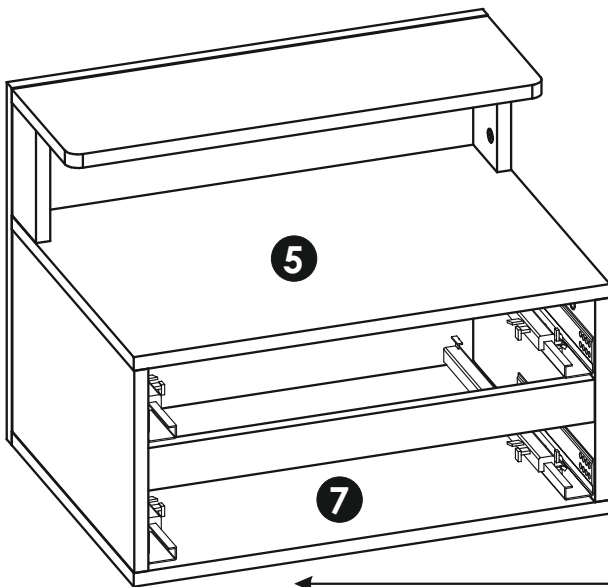
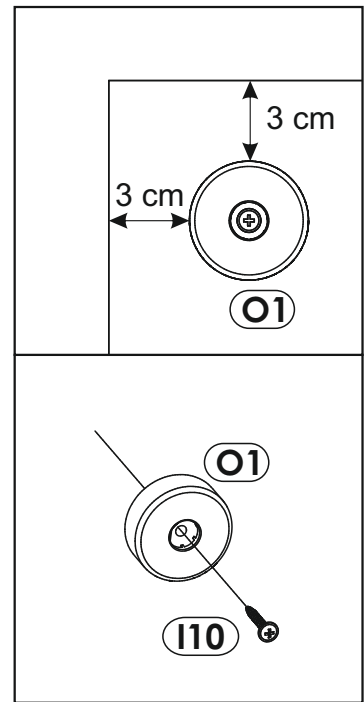
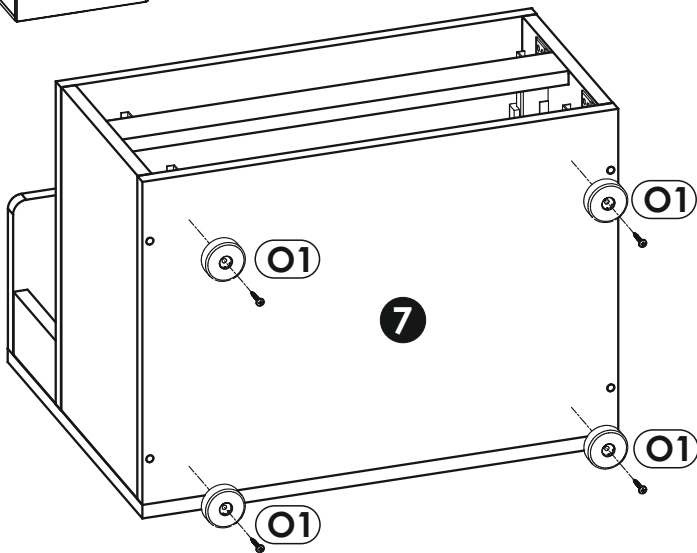
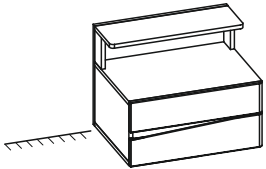
14▶



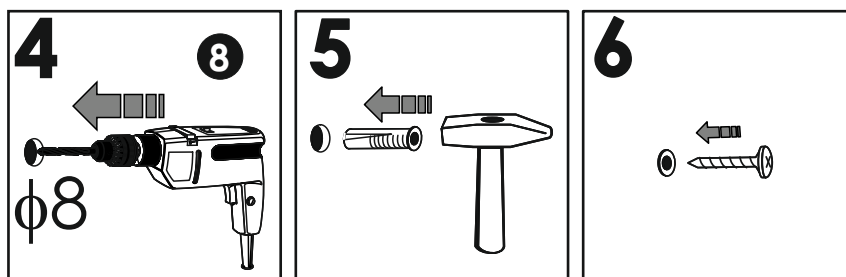
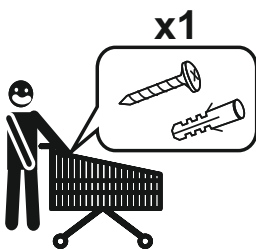
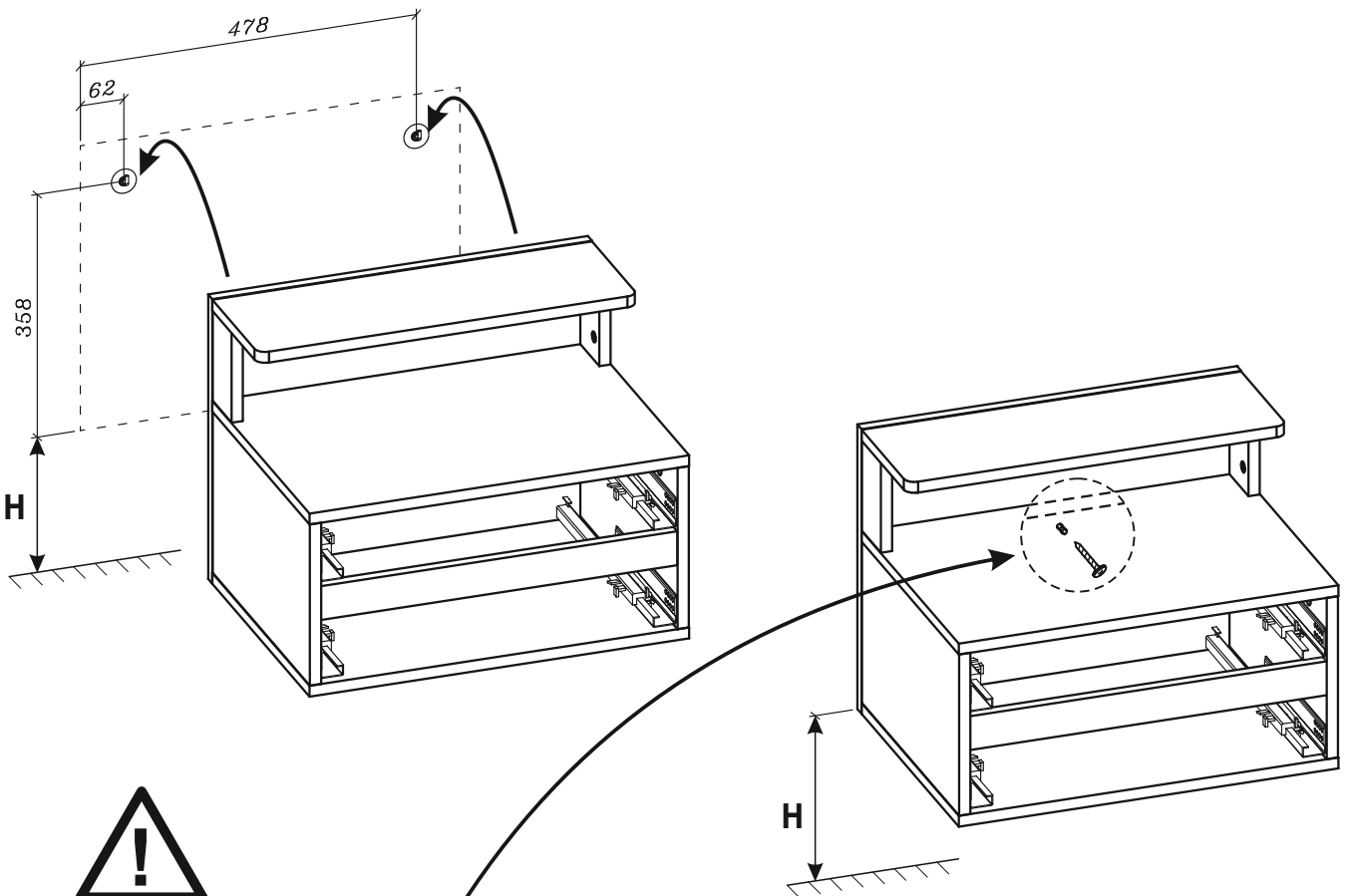
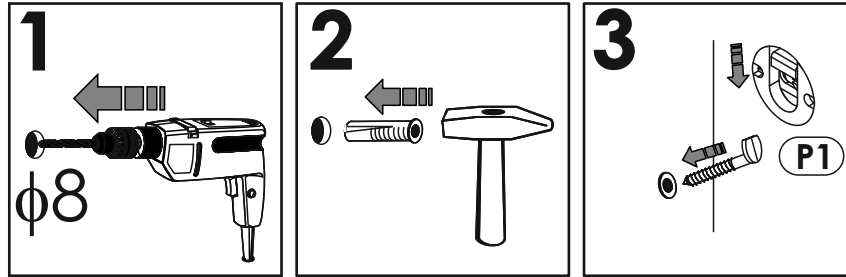
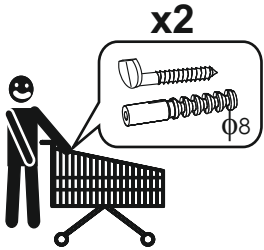
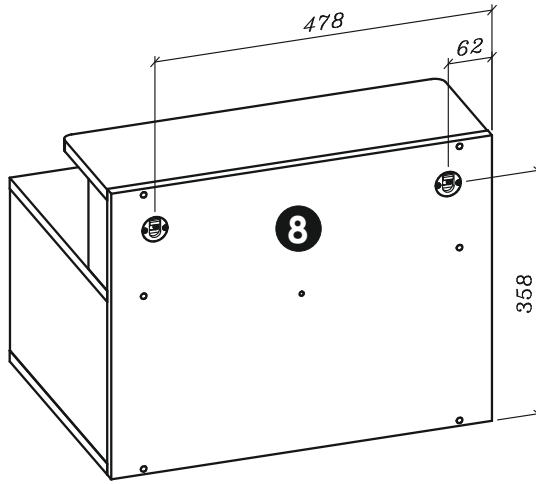
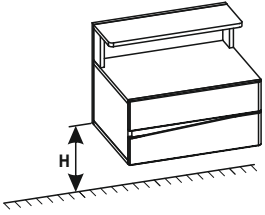
15▶



16D▶

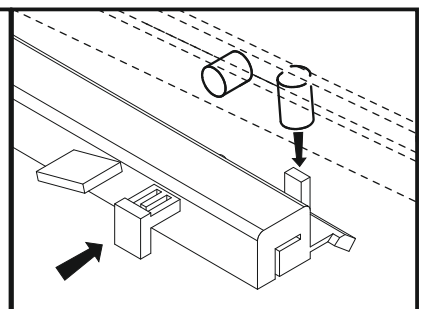
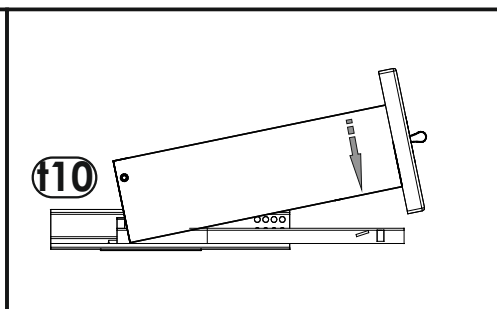
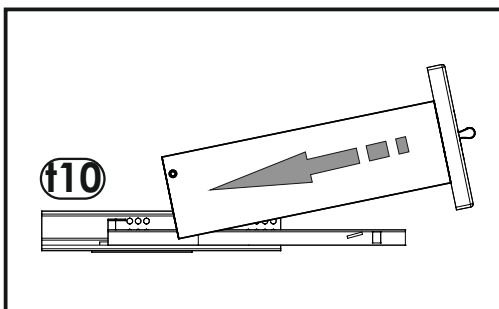
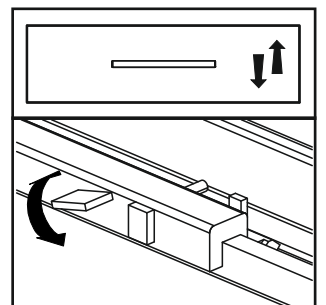
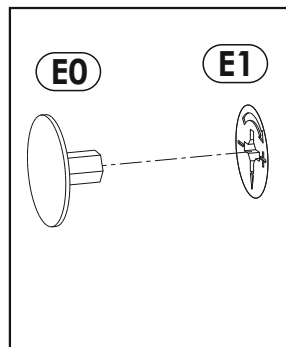
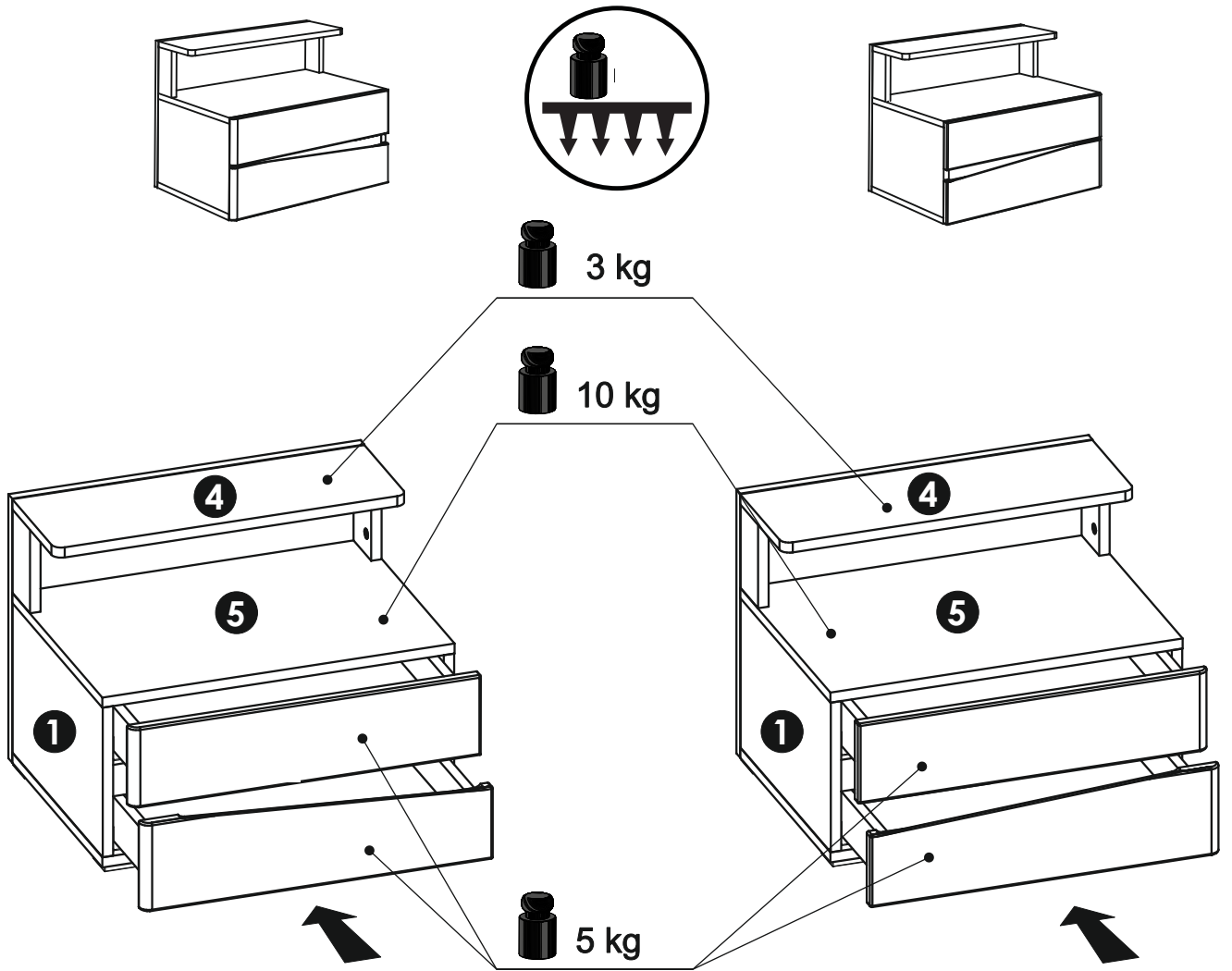


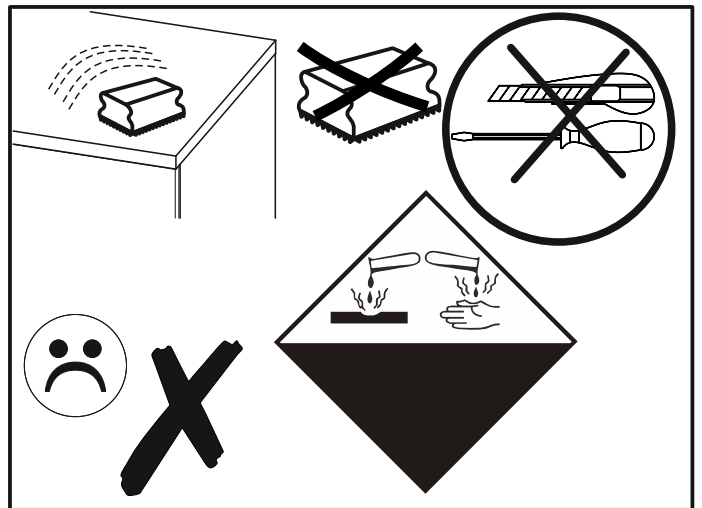
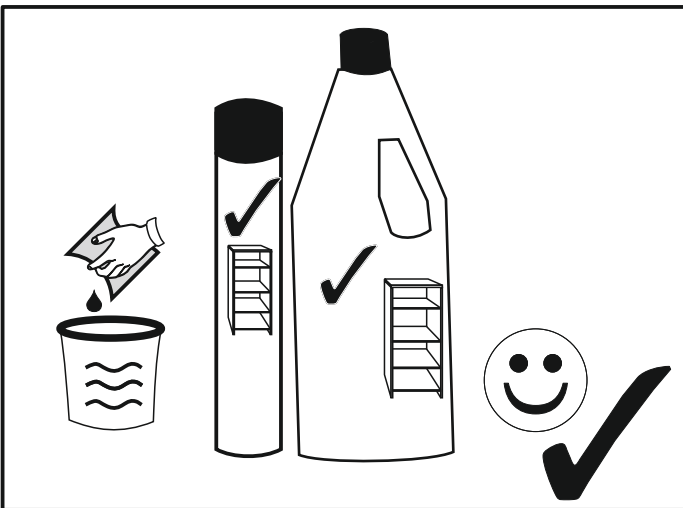
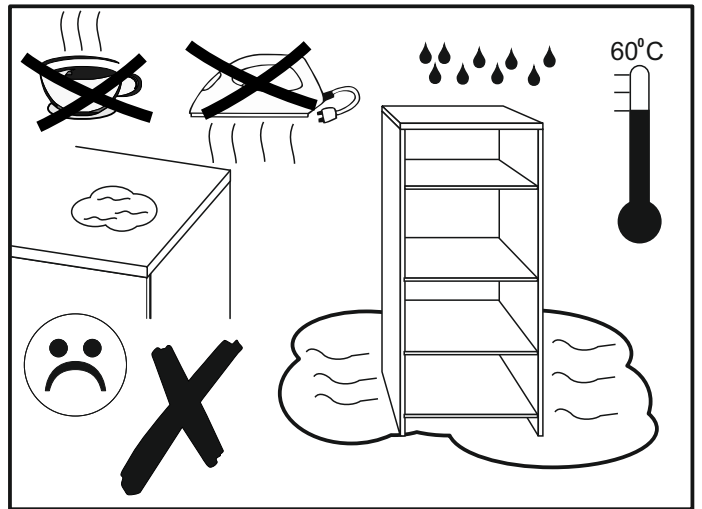
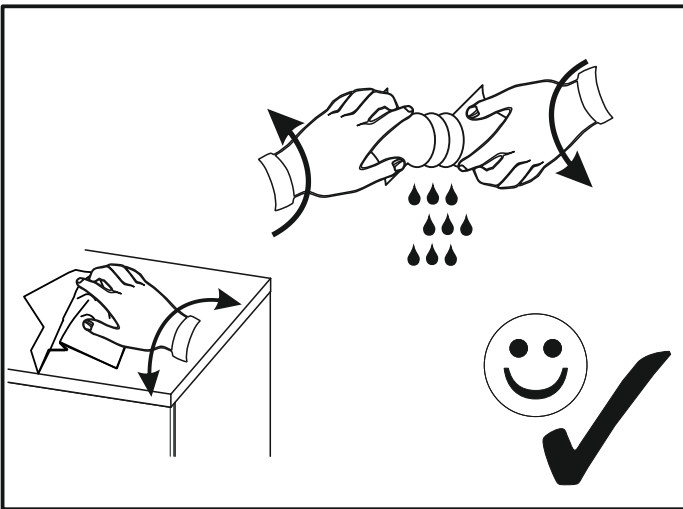
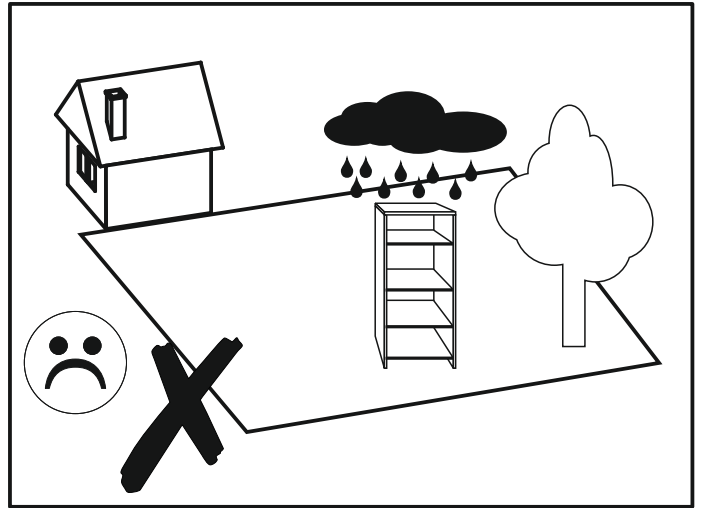
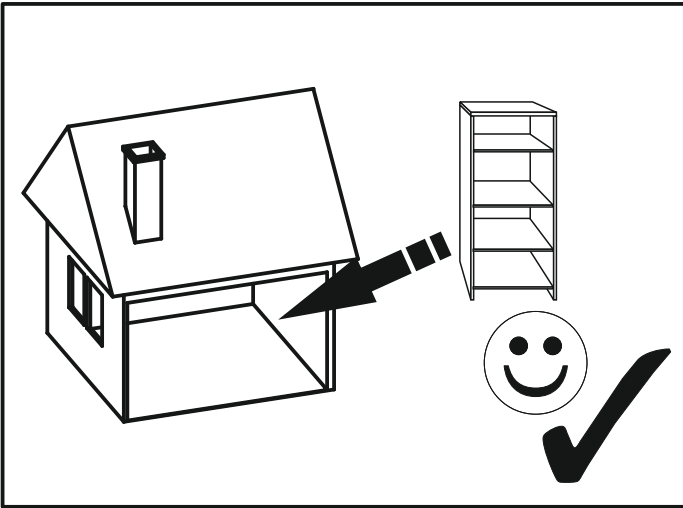
# 16U ▶

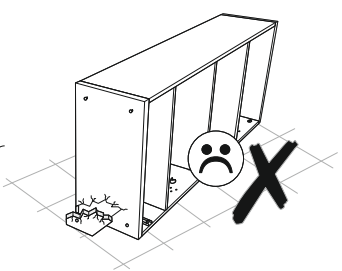
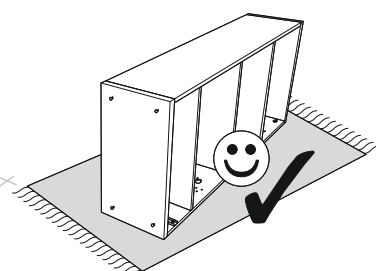
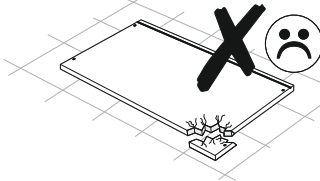
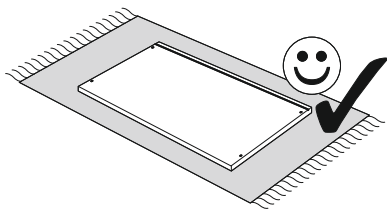
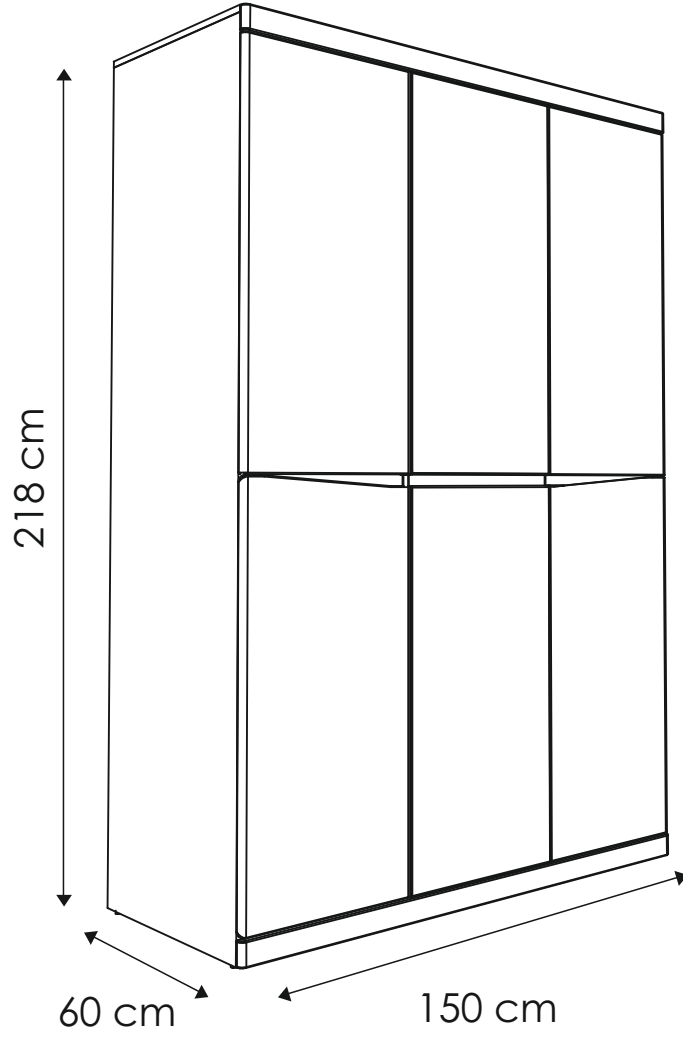
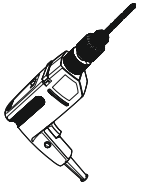
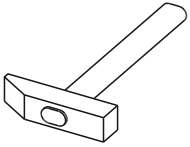
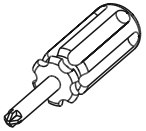
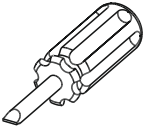


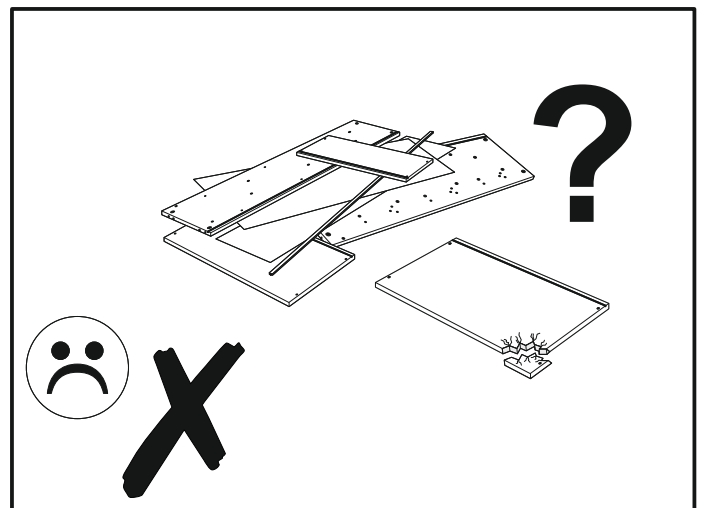
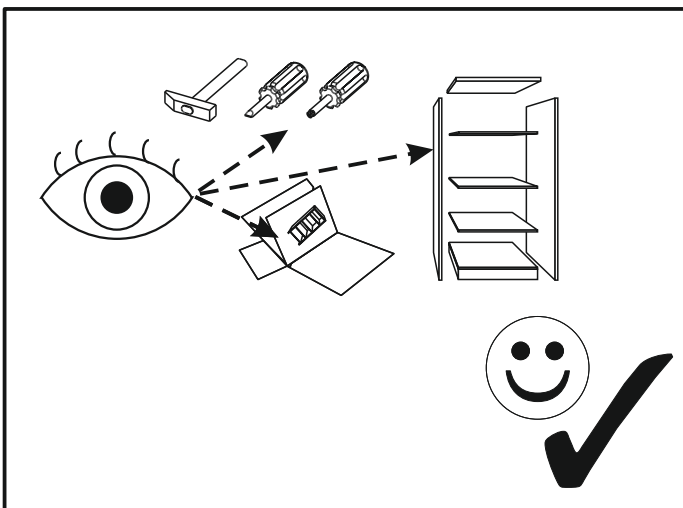
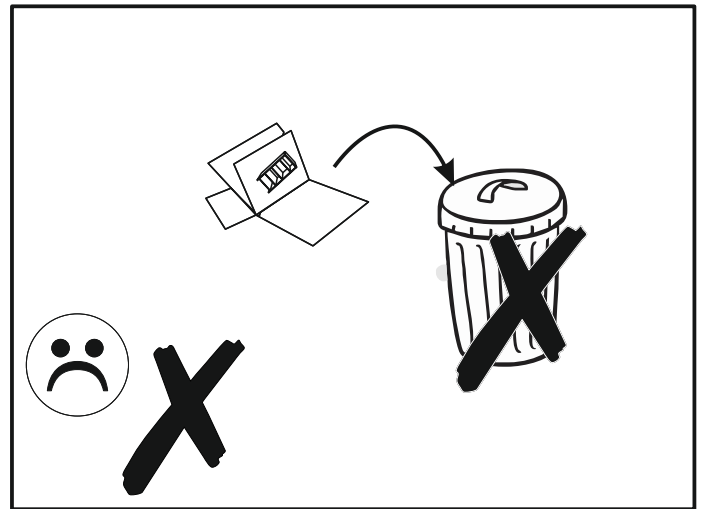
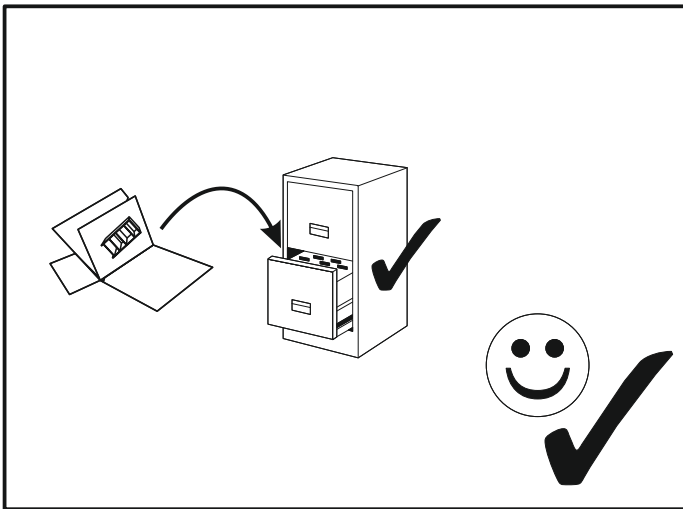
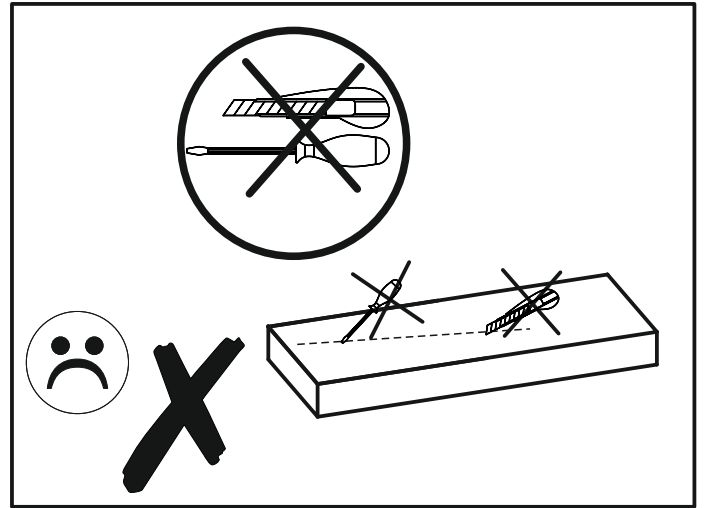
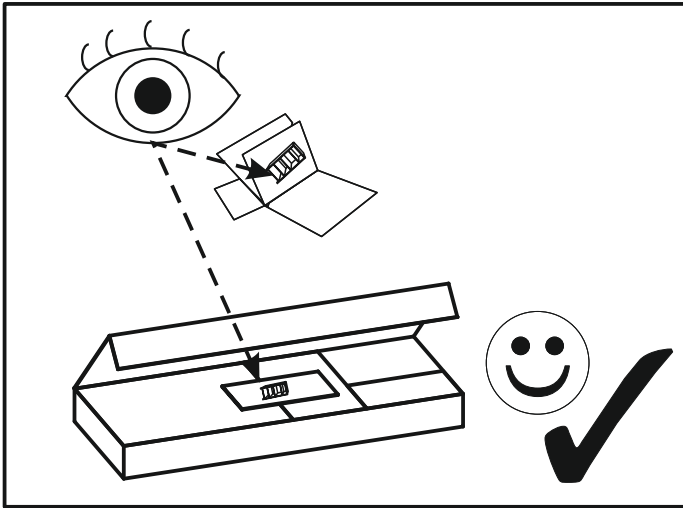


17▶









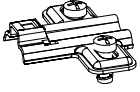


version A

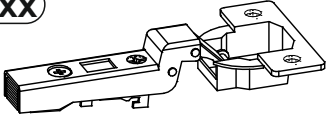


version B

BCxx



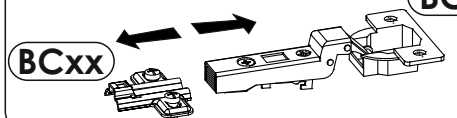
BCxx



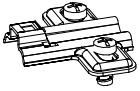
BCxx + BCxx



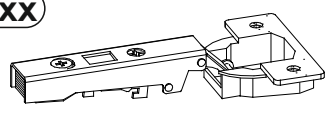
BCxx



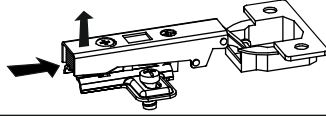
BCxx



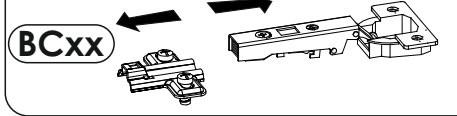
BCxx



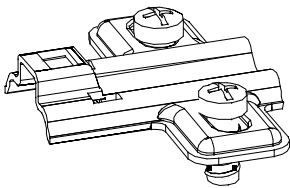
BCxx + BCxx



BCxx

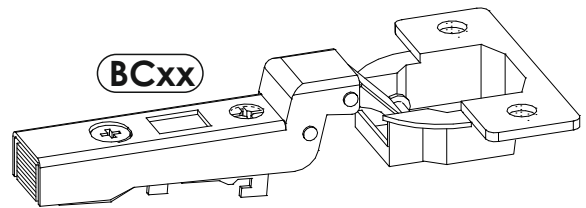


BCxx

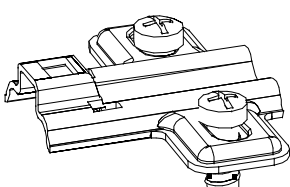


OK

BCxx

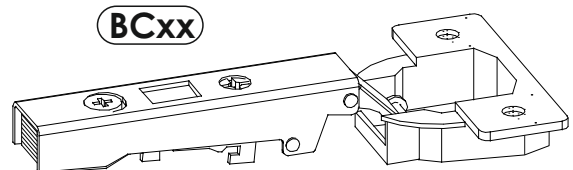


BCxx



OK

BCxx



MM

260

250

240

230

220

210

200

190

180

170

160

150

140

130

120

110

100

90

80

70

60

50


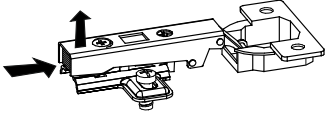
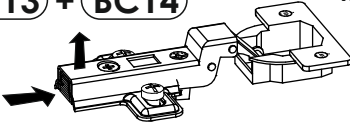


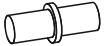



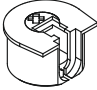

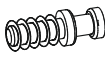




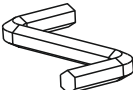

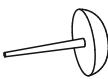
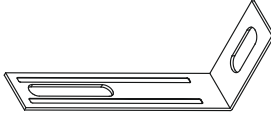
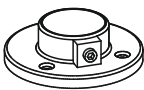
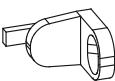
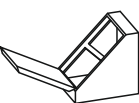
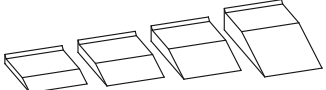

40

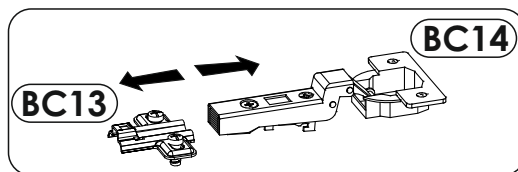
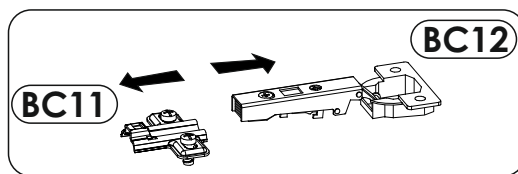
30

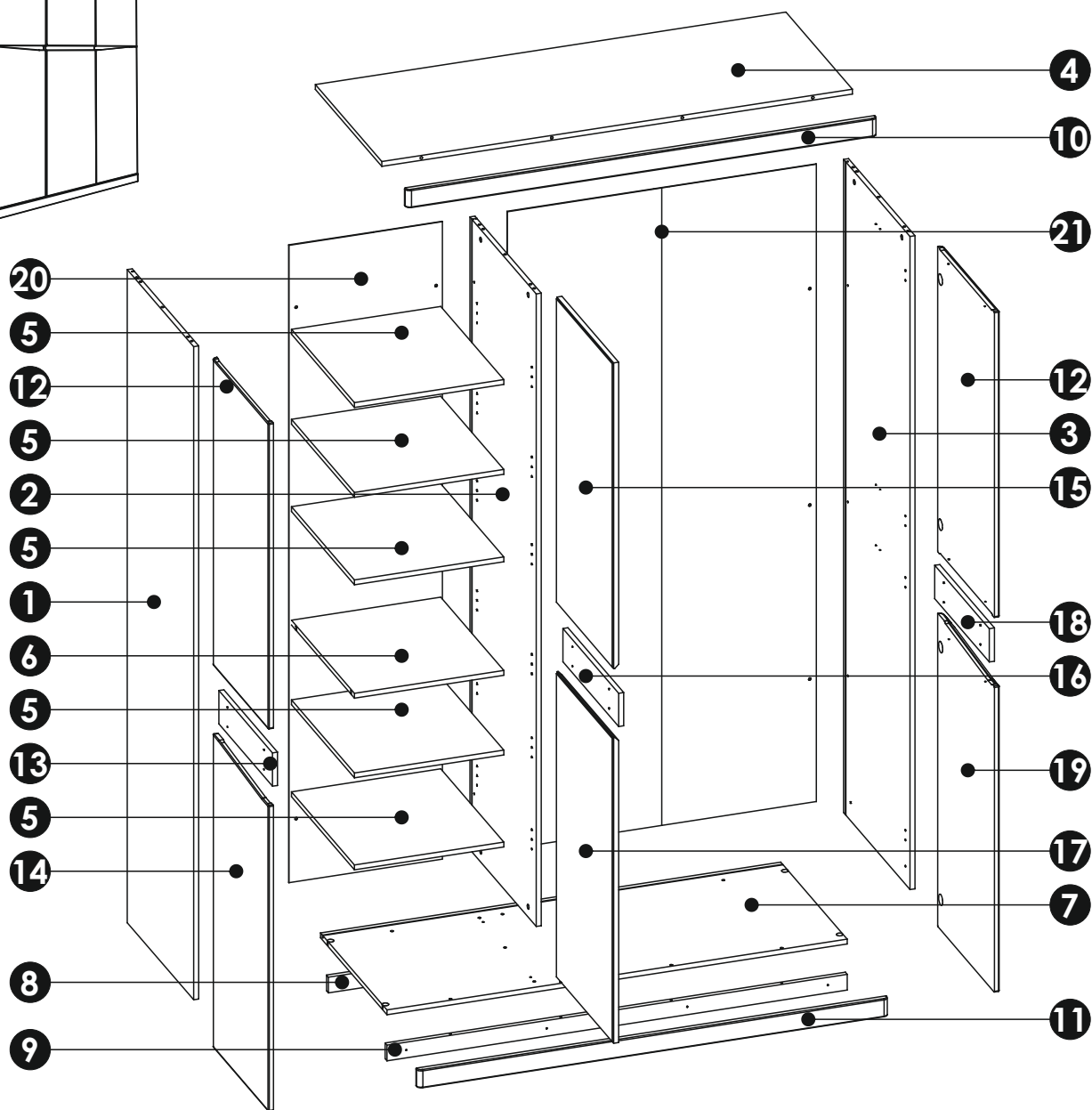
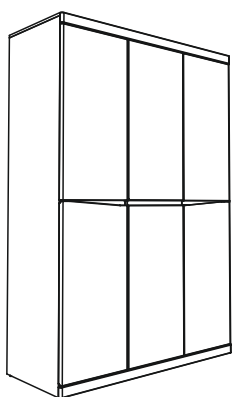
20

10

0

<p><b>A1</b> x16 <math>\varnothing 8 \times 35</math> mm</p> 	<p><b>BC11</b> + <b>BC12</b> x8</p> 	<p><b>BC13</b> + <b>BC14</b> x4</p> 
<p><b>C1</b> x24 EURO 4 x 13mm</p> 	<p><b>C5</b> x10 EURO EK 6,3 x 13mm</p> 	<p><b>D2</b> x20</p> 
<p><b>E0</b> x8</p> 	<p><b>E1</b> x8</p> 	<p><b>E2</b> x4</p> 
<p><b>E4</b> x4</p> 	<p><b>F1</b> x8</p> 	<p><b>F2</b> x8</p> 
<p><b>G0</b> x8</p> 	<p><b>G1</b> x8 <math>\varnothing 7 \times 50</math> mm</p> 	<p><b>I2</b> x2 4 x 16 mm</p> 
<p><b>I8</b> x16 4 x 27mm</p> 	<p><b>M</b> x1</p> 	<p><b>N2</b> x20 3,5 x 16mm</p> 
<p><b>O2</b> x10</p> 	<p><b>Q9</b> x2</p> 	<p><b>P14</b> x4</p> 
<p><b>R6</b> x10</p> 	<p><b>W</b> x4</p> 	<p><b>Z</b> x1</p> 
<p><b>Z1</b> x2 L-973</p> 		

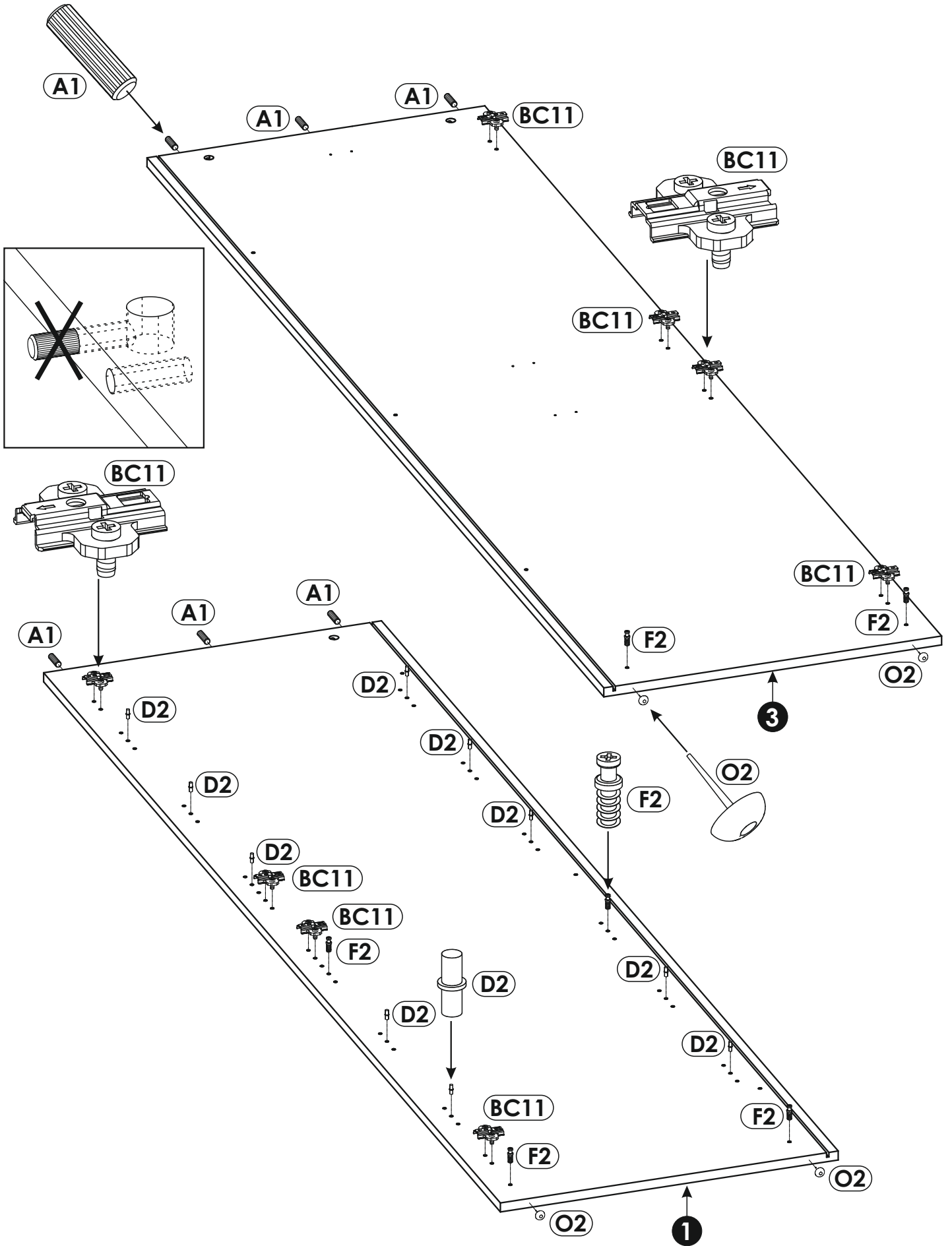




<b>1</b>	2158	581	16	x1	2/4
<b>2</b>	2090	581	16	x1	3/4
<b>3</b>	2158	581	16	x1	2/4
<b>4</b>	1500	581	16	x1	1/4
<b>5</b>	552	476	16	x5	1/4-4/4
<b>6</b>	552	476	16	x1	4/4
<b>7</b>	1467	581	16	x1	1/4

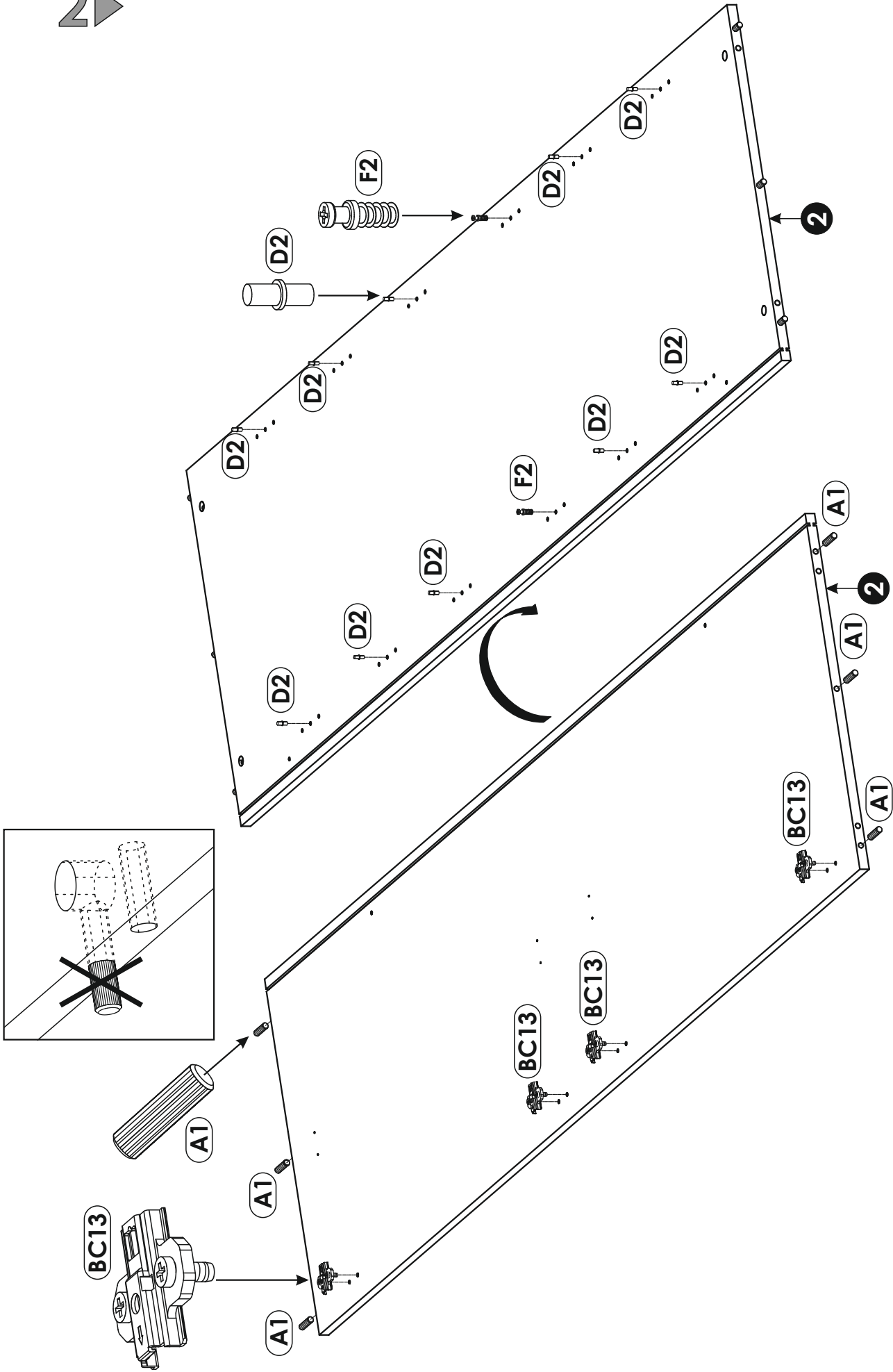
<b>8</b>	1467	52	16	x1	1/4
<b>9</b>	1467	52	16	x1	1/4
<b>10</b>	1500	60	19	x1	1/4
<b>11</b>	1500	60	19	x1	1/4
<b>12</b>	497	1010	16	x2	3/4
<b>13</b>	470	110	16	x1	1/4
<b>14</b>	497	1035	16	x1	2/4

<b>15</b>	497	1010	20	x1	4/4
<b>16</b>	488	110	16	x1	1/4
<b>17</b>	497	1010	20	x1	4/4
<b>18</b>	470	110	16	x1	1/4
<b>19</b>	497	1035	16	x1	2/4
<b>20</b>	2106	489	3	x1	3/4
<b>21</b>	2106	986	3	x1	3/4

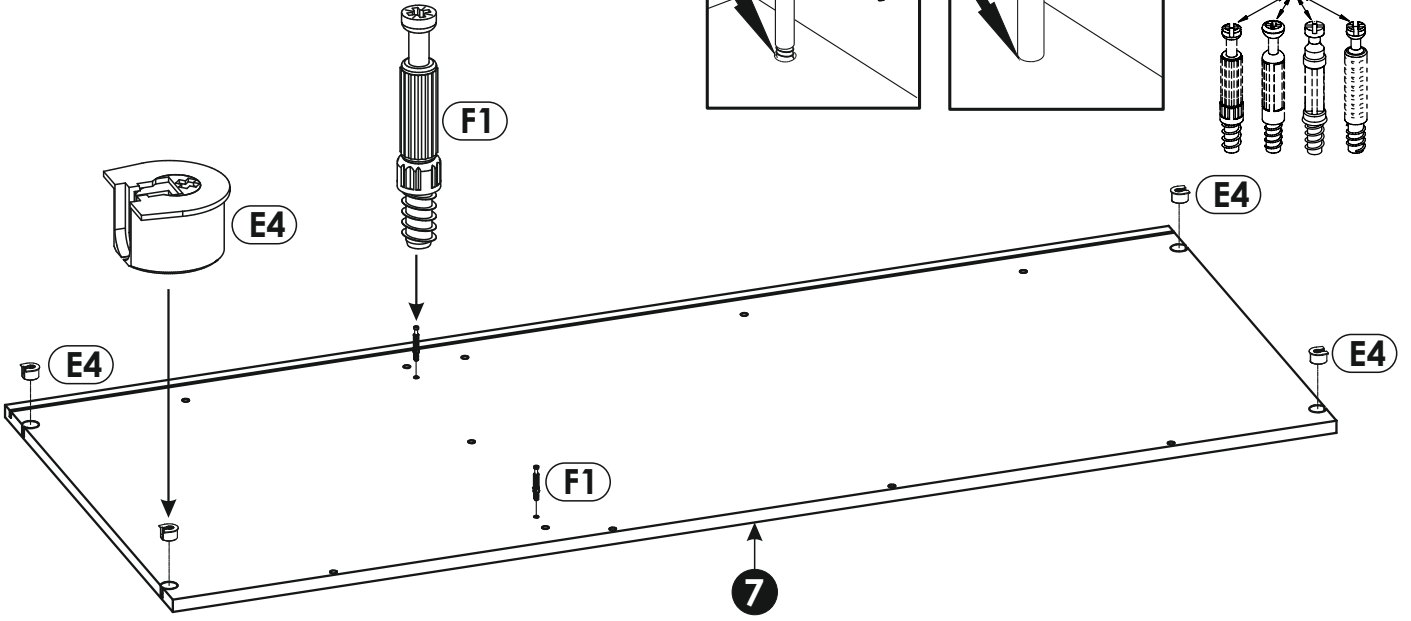
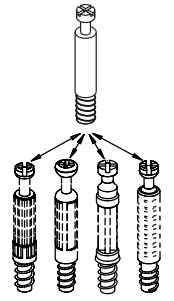
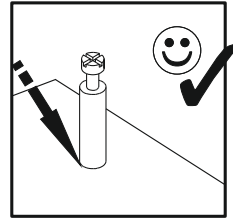
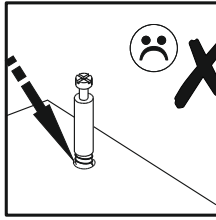




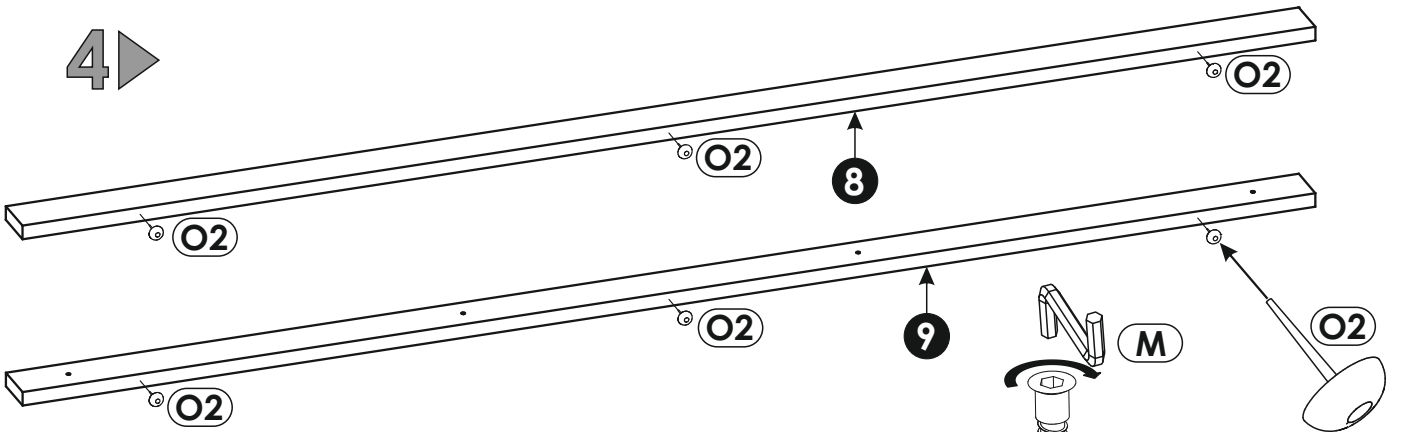
2 ▶



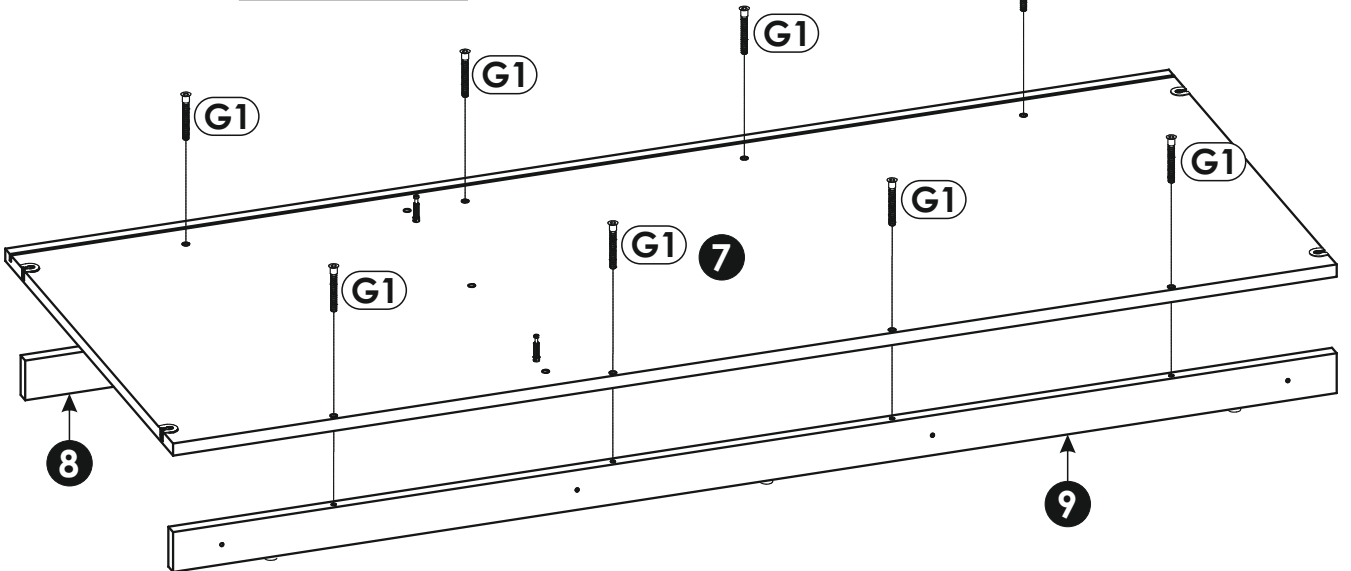
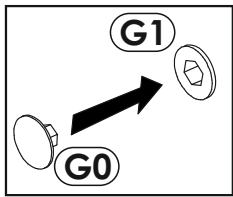
3 ▶



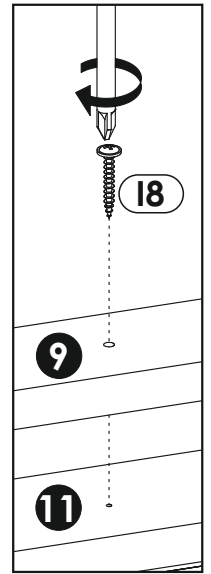
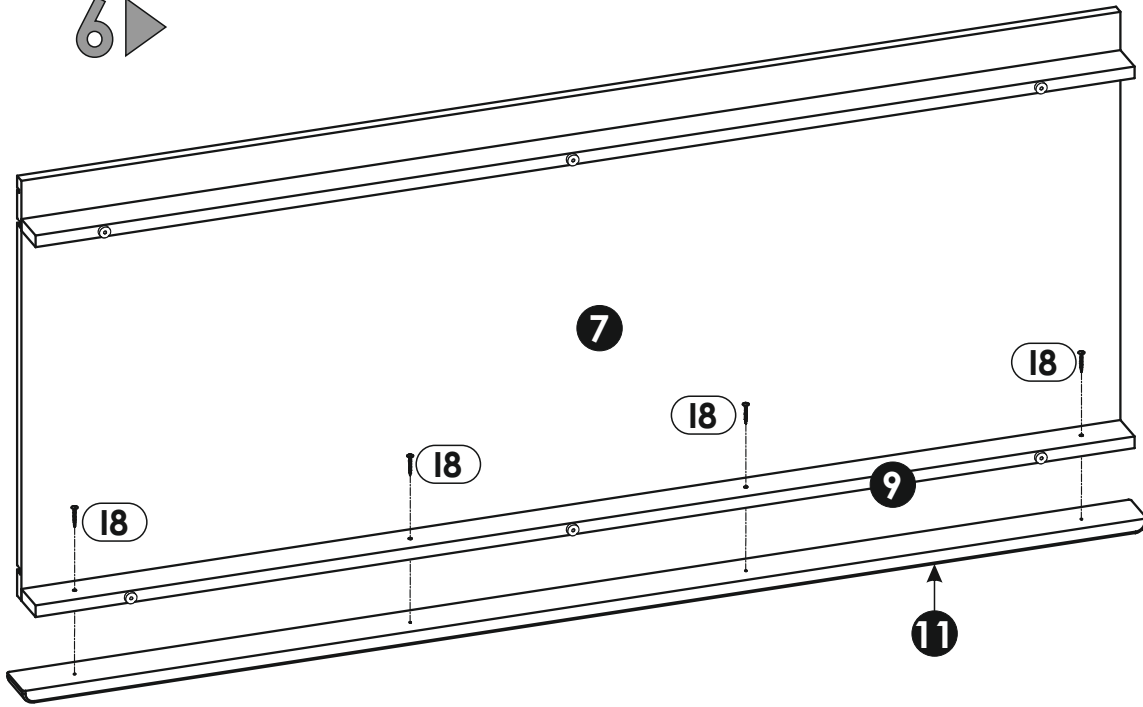
4 ▶



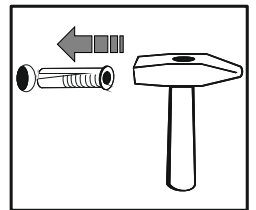
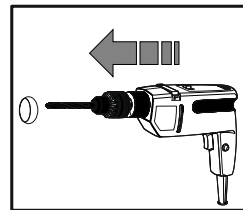
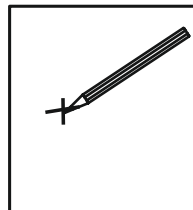
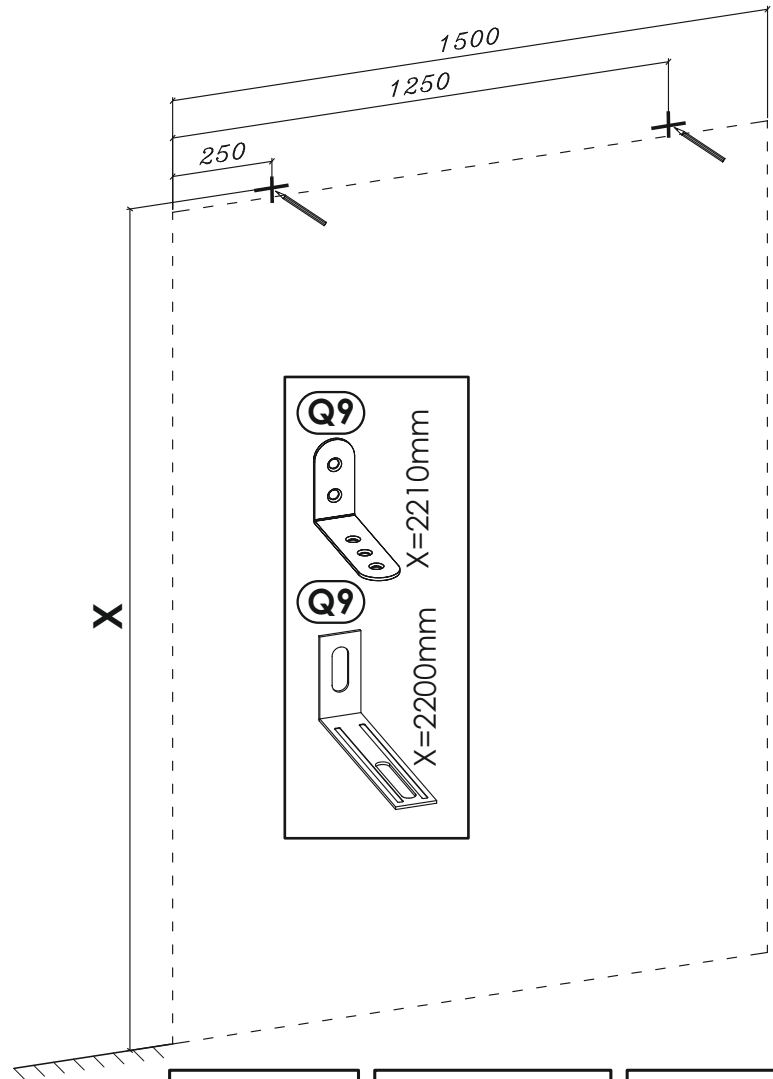
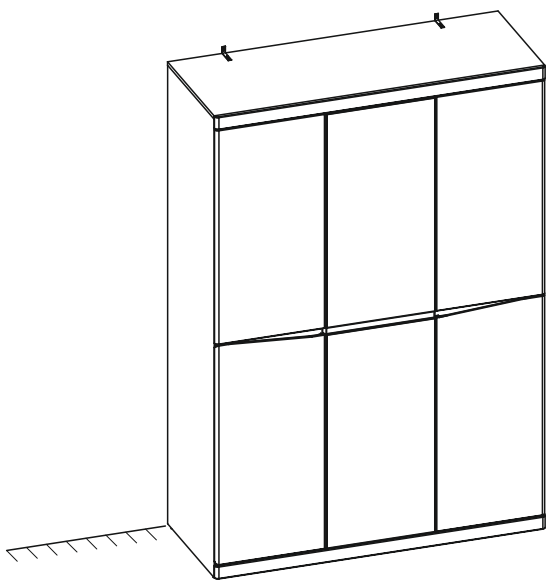
5 ▶



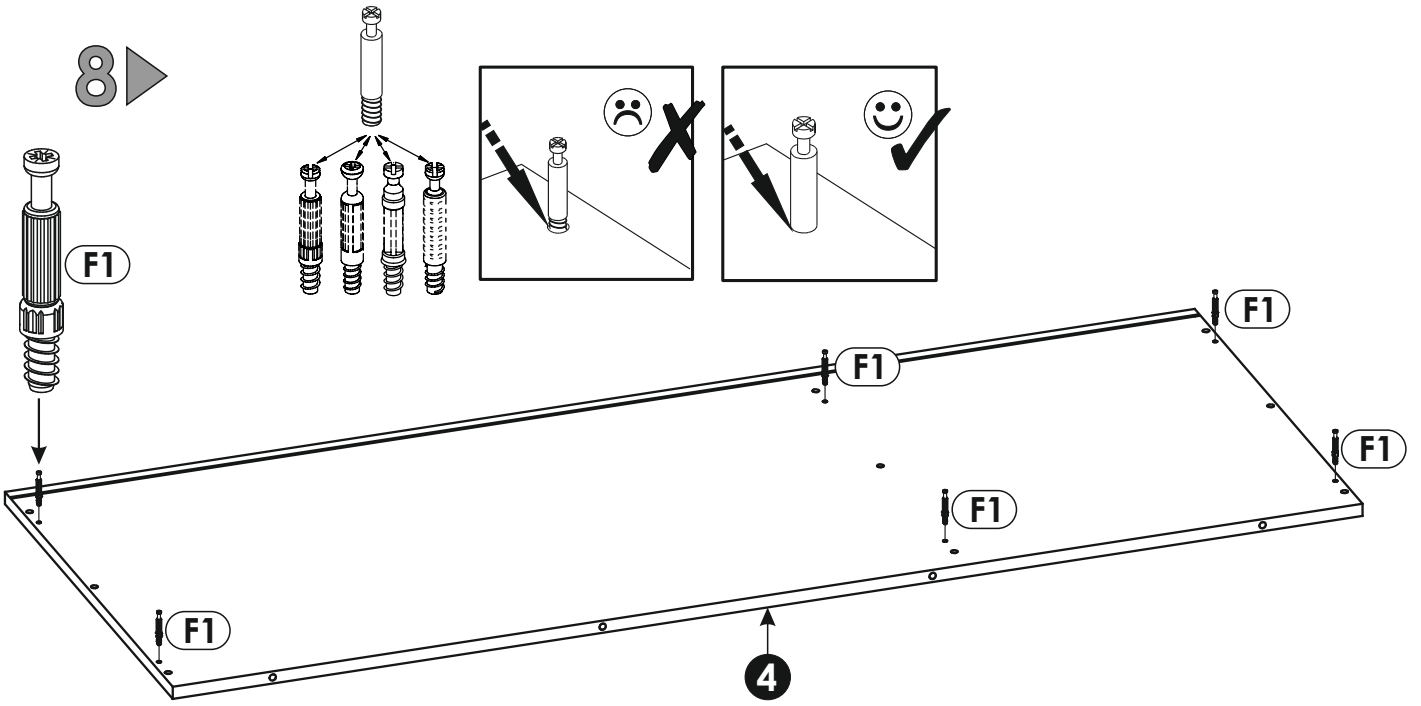
6 ▶



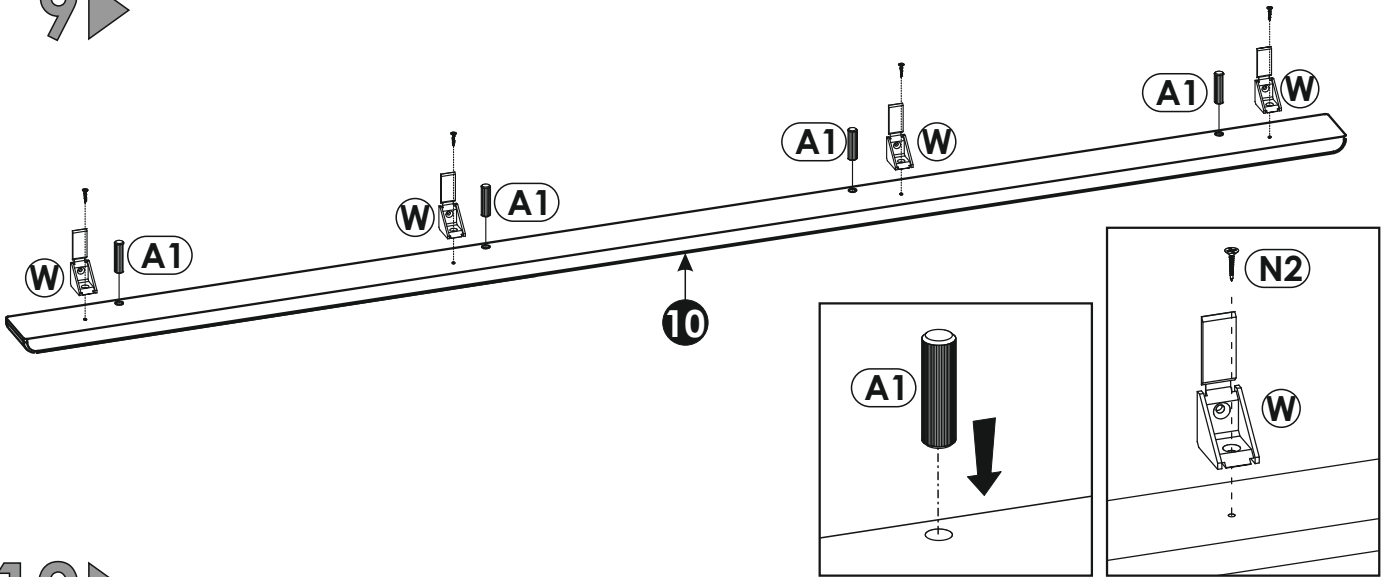
7 ▶



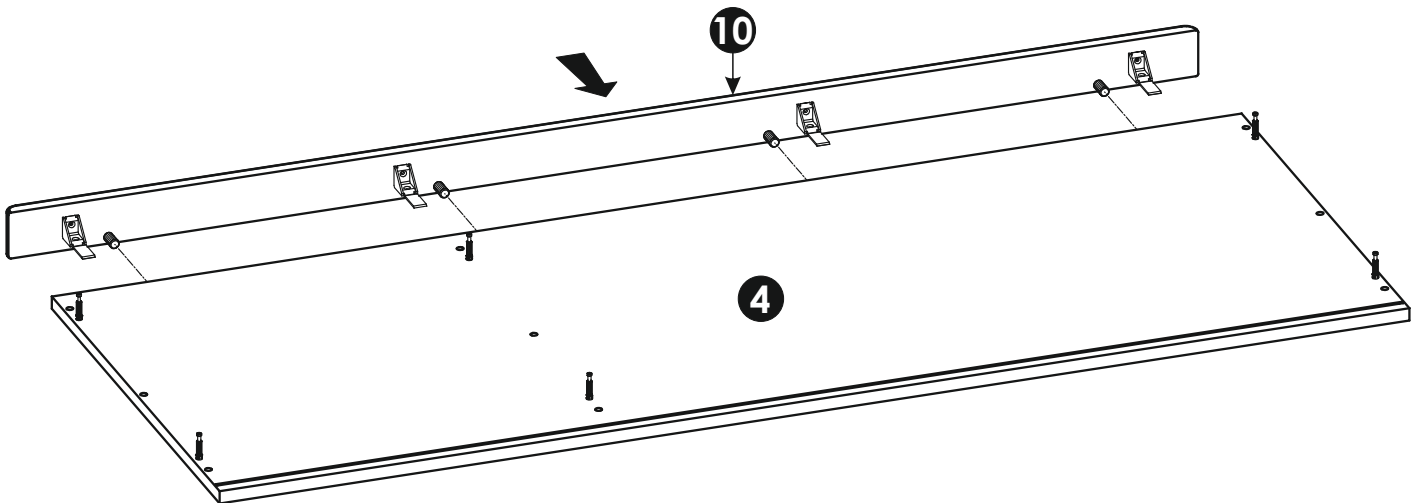
8 ▶



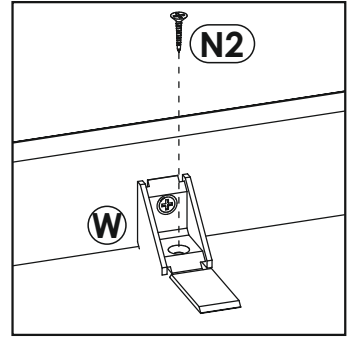
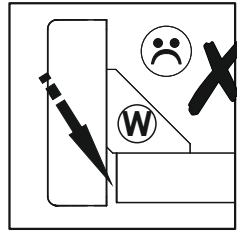
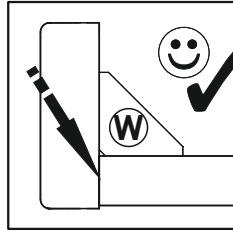
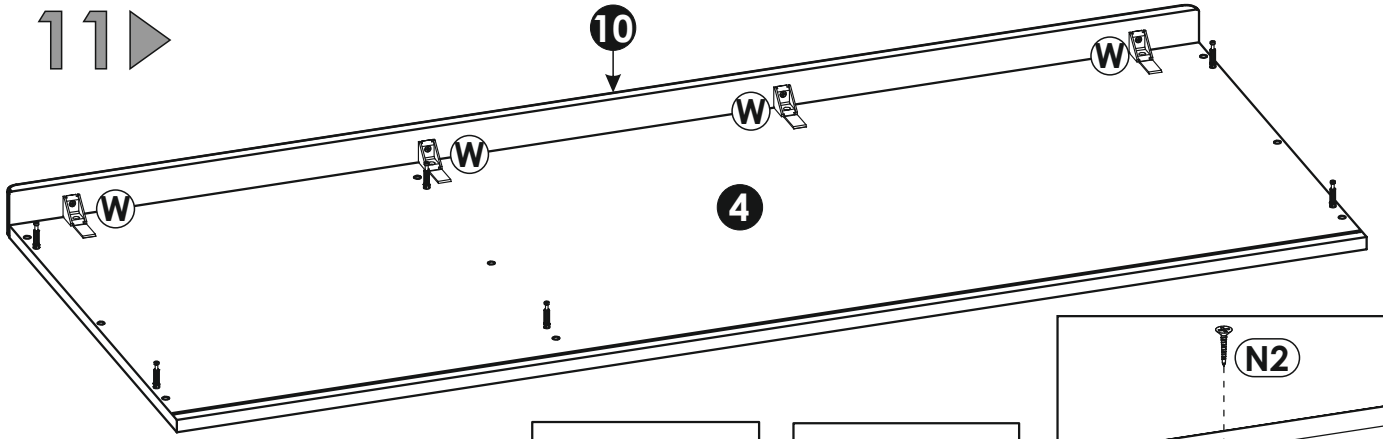
9 ▶



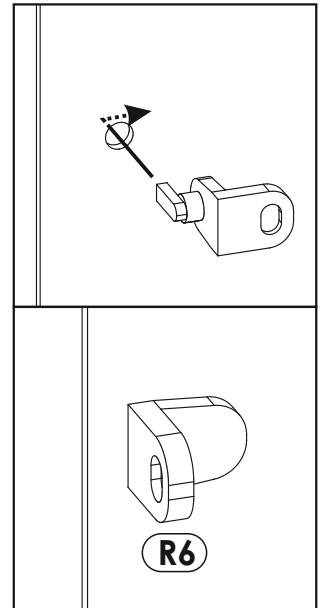
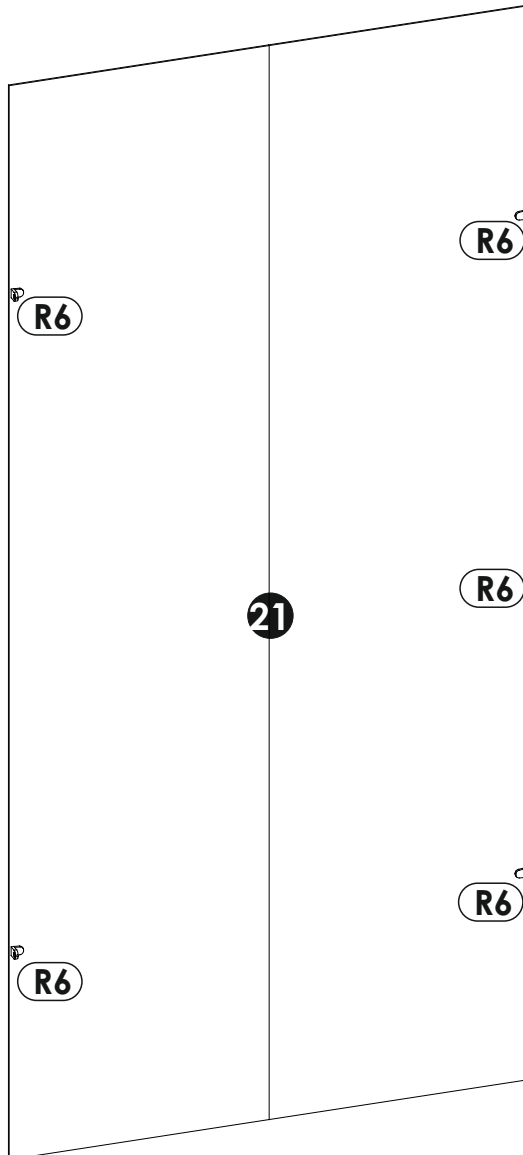
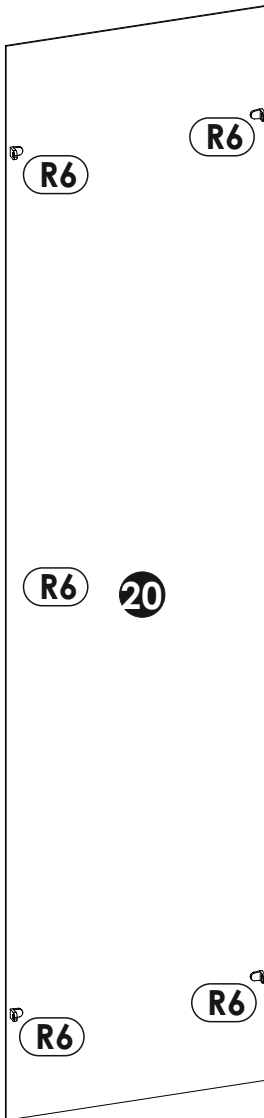
10 ▶

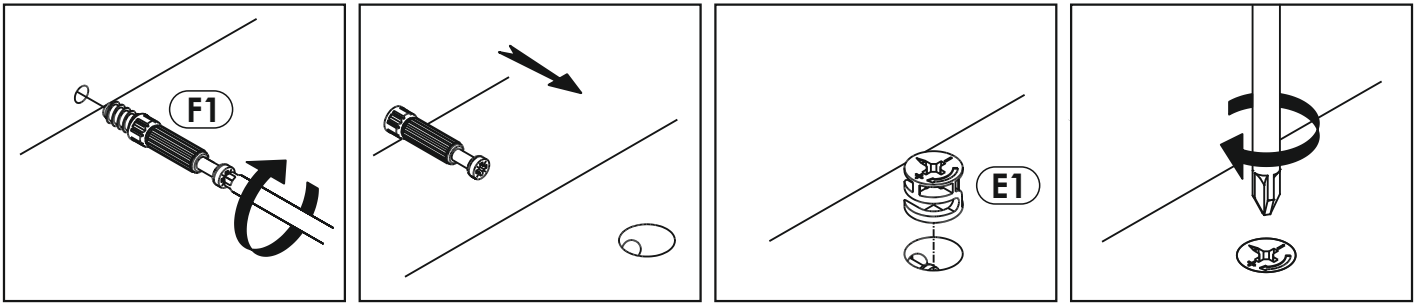


11 ▶

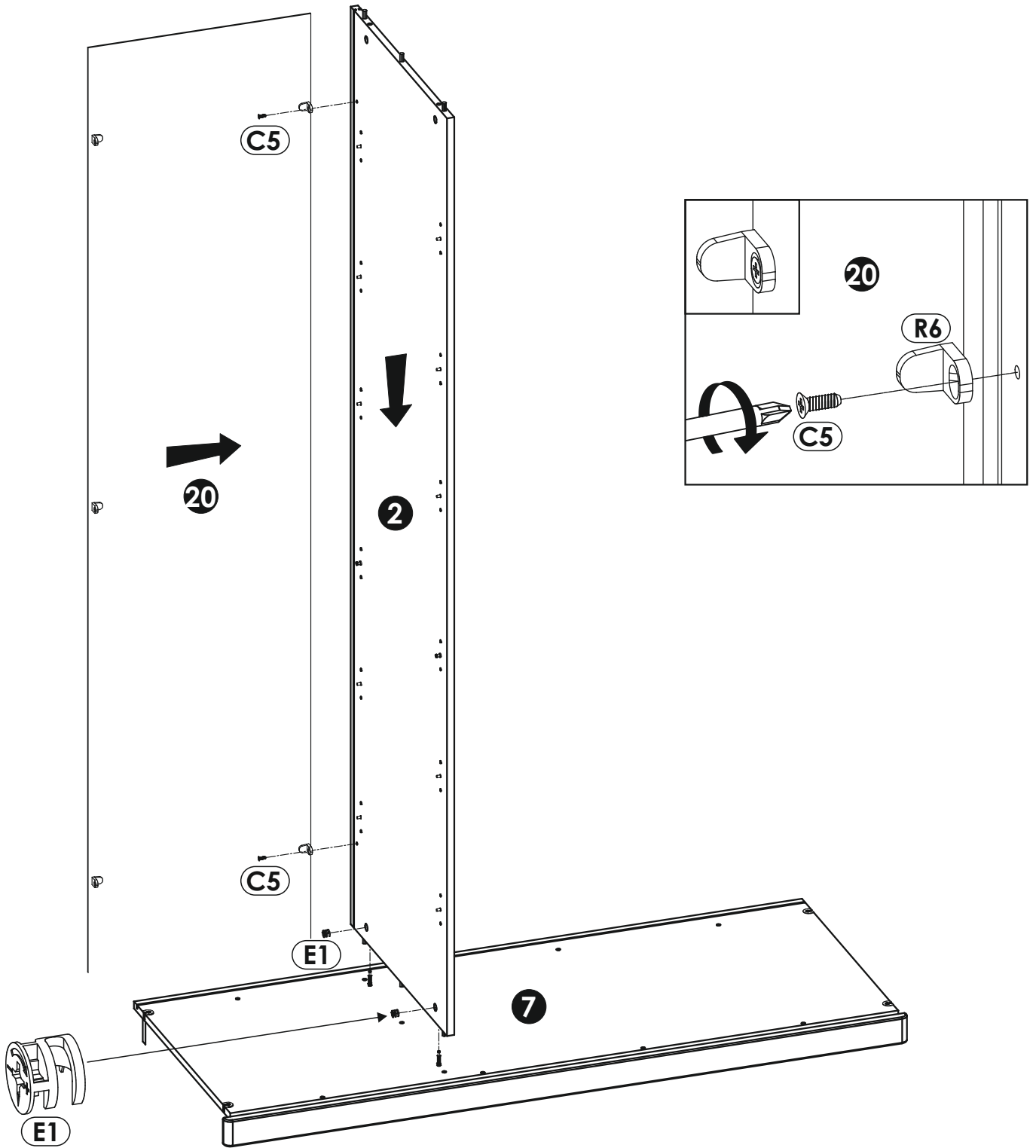


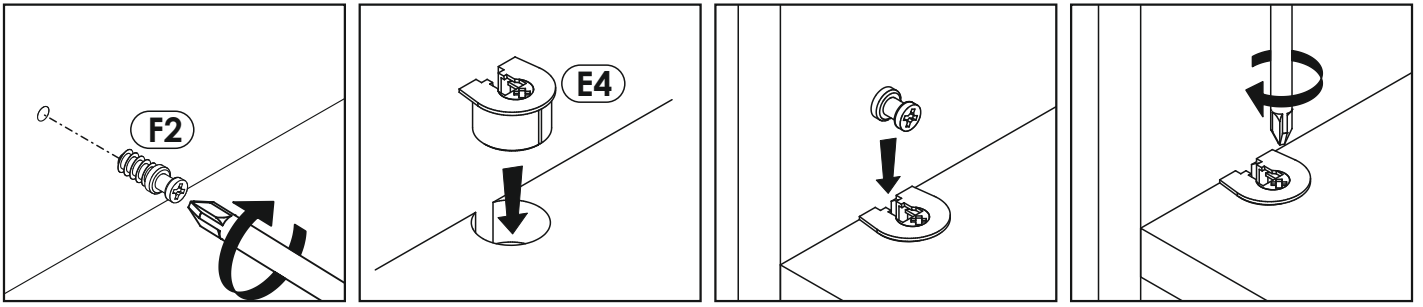
12 ▶



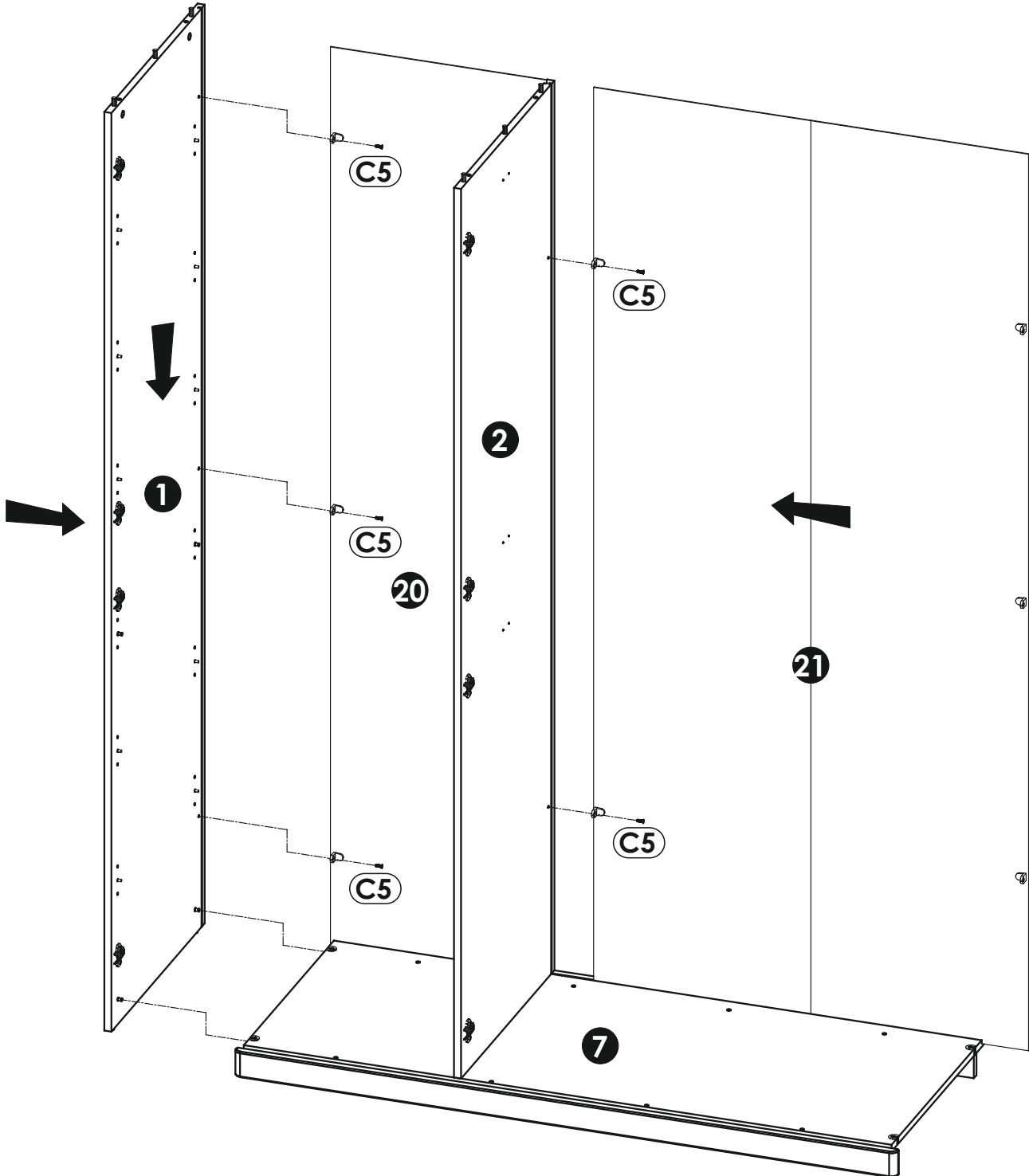


13 ▶

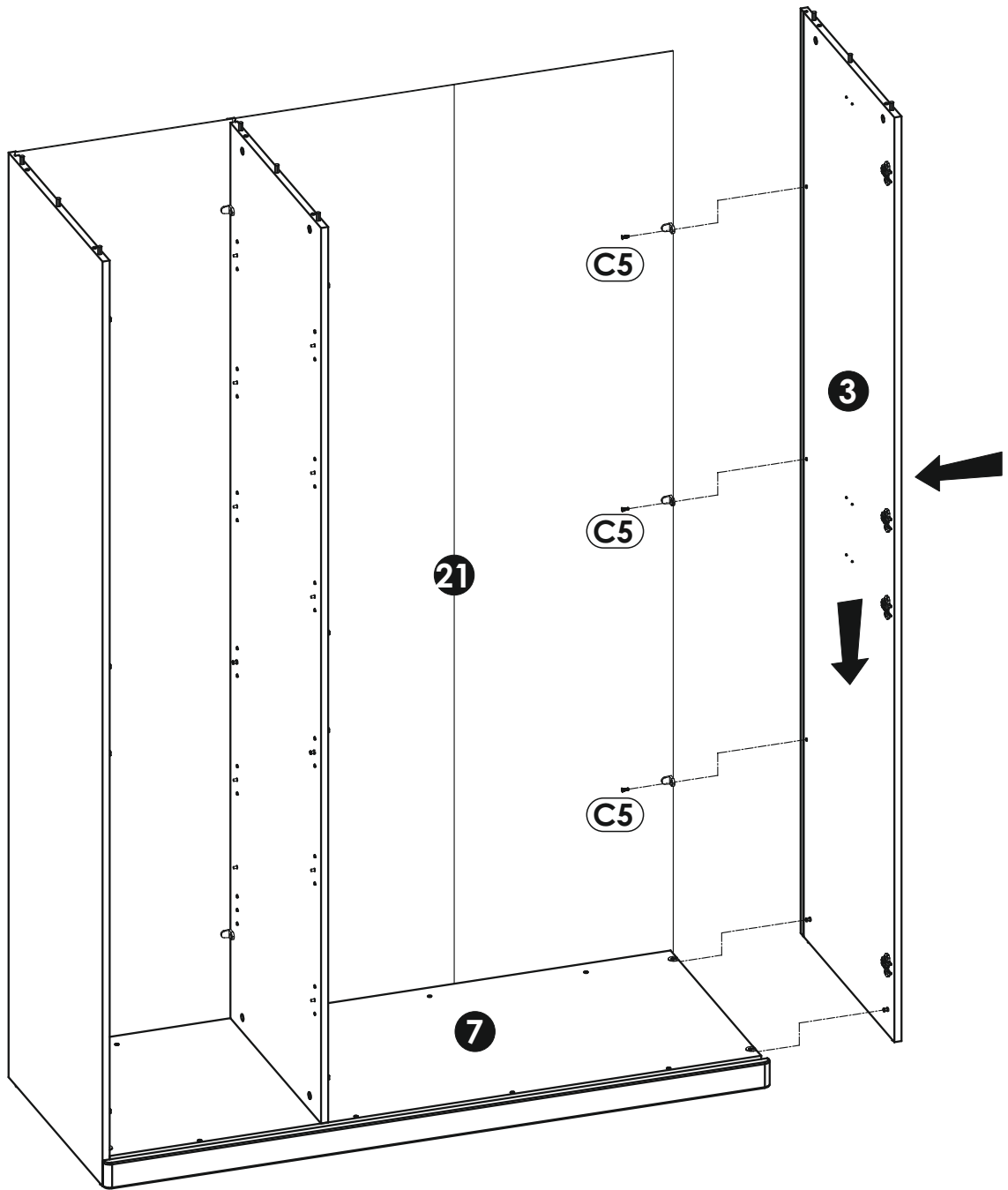




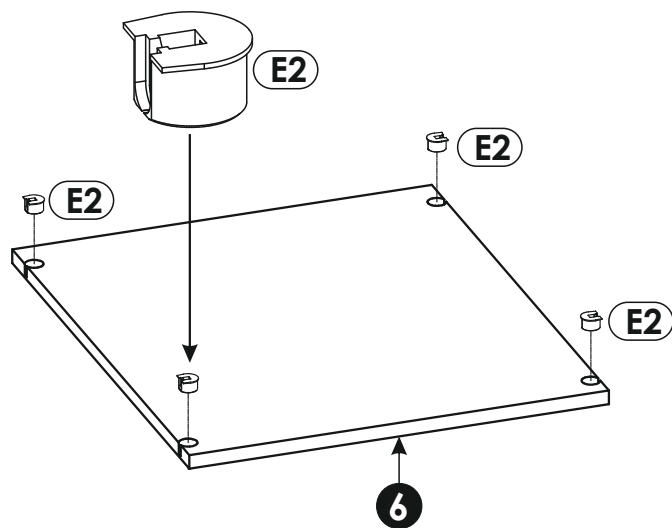
14▶



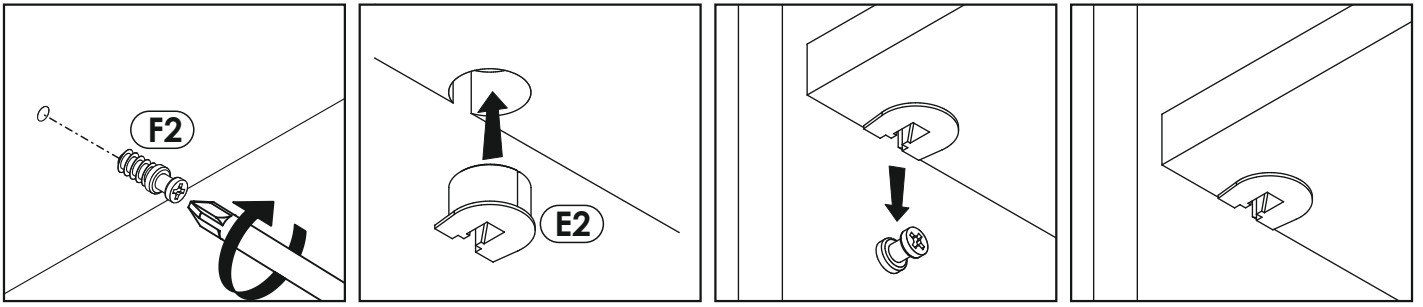
15▶



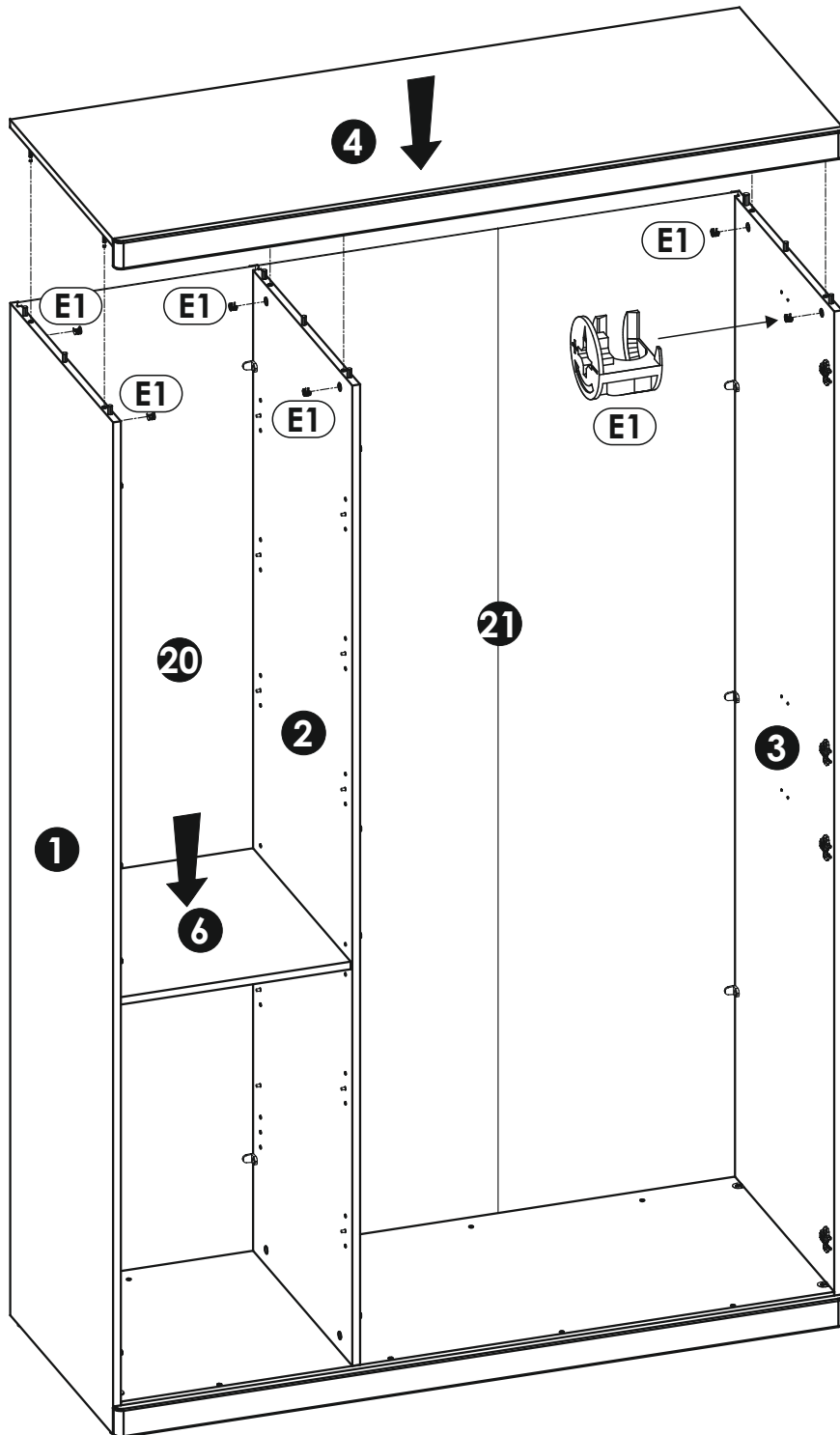
16▶



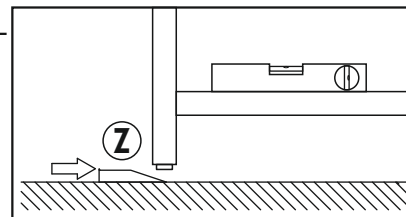
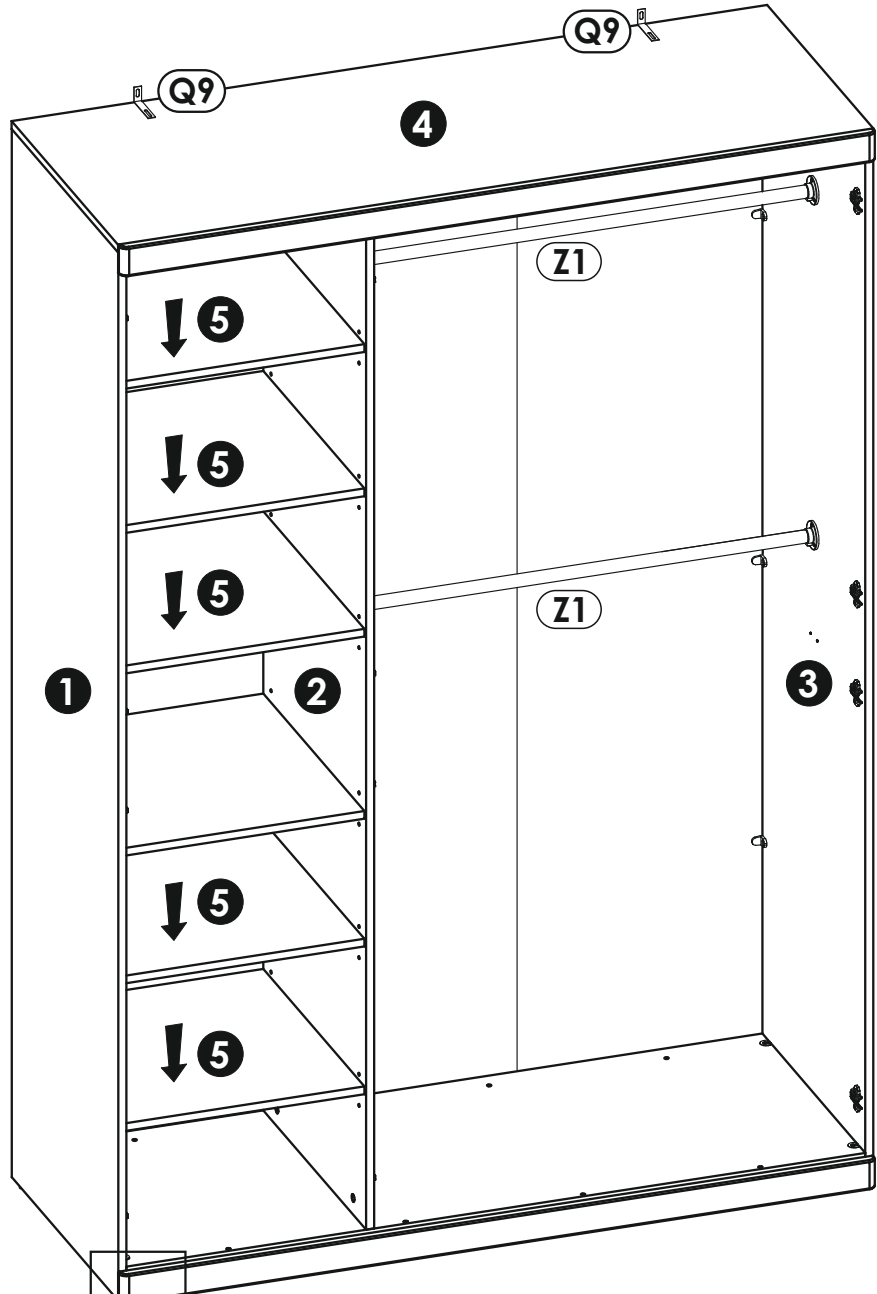
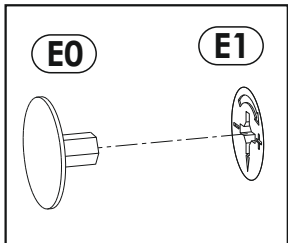
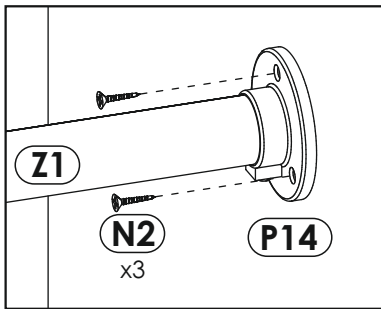
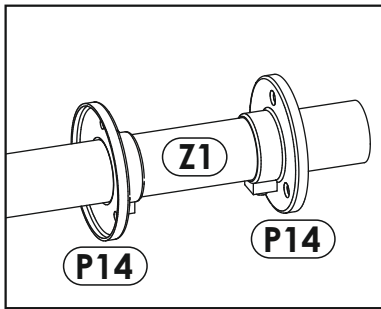
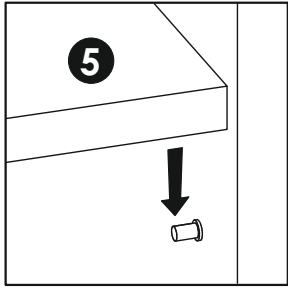
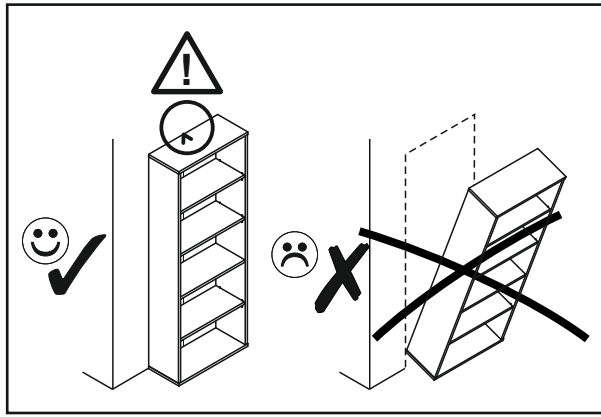
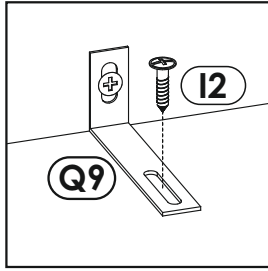
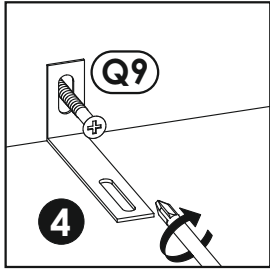


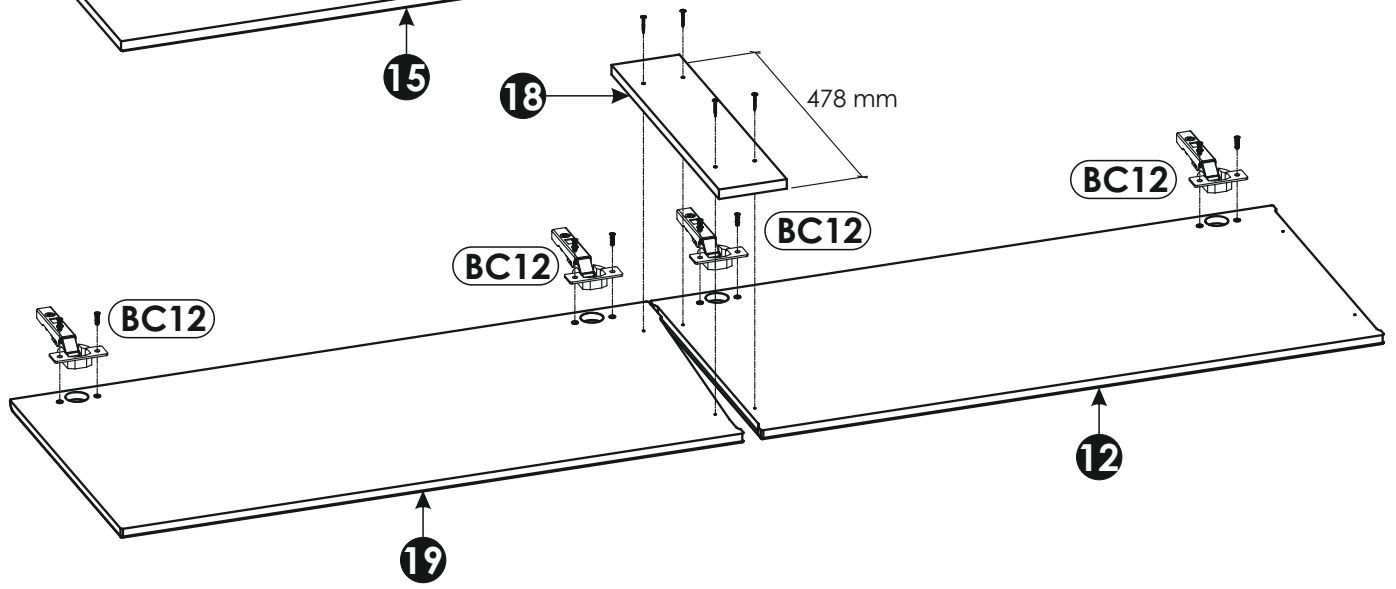
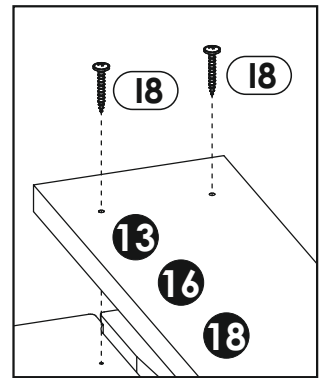
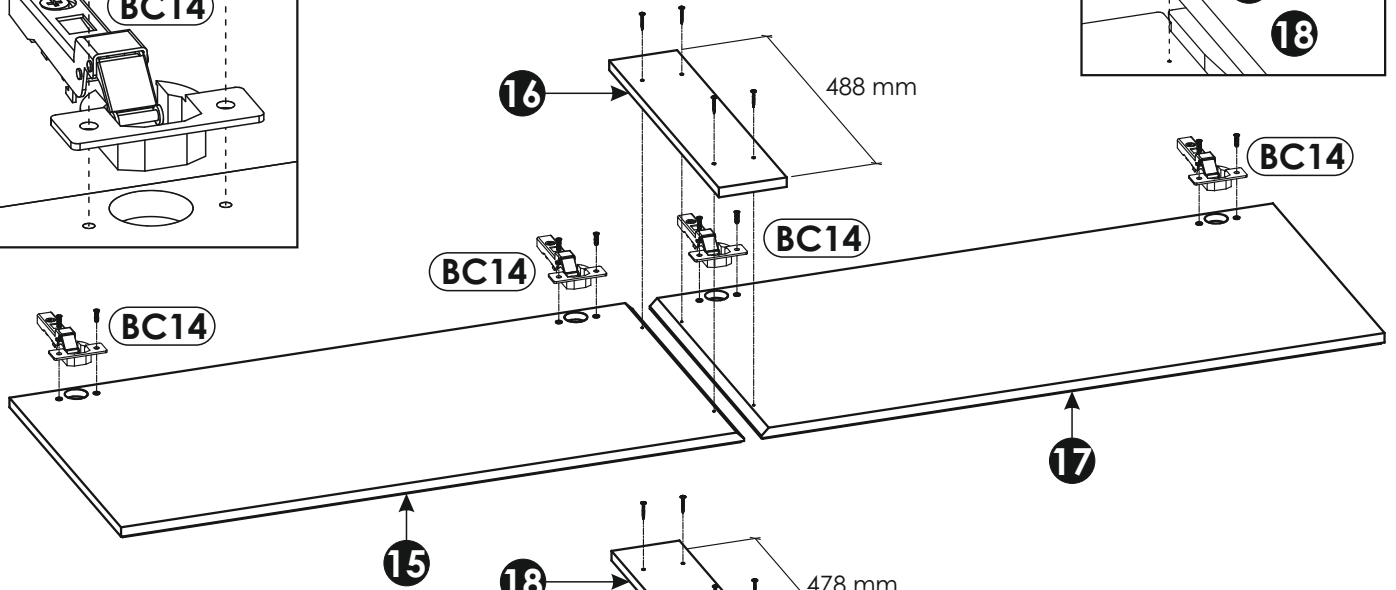
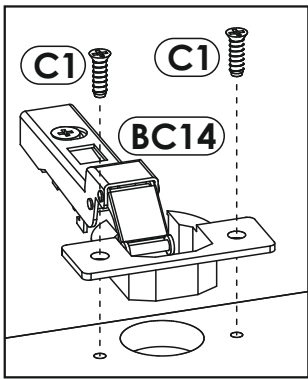
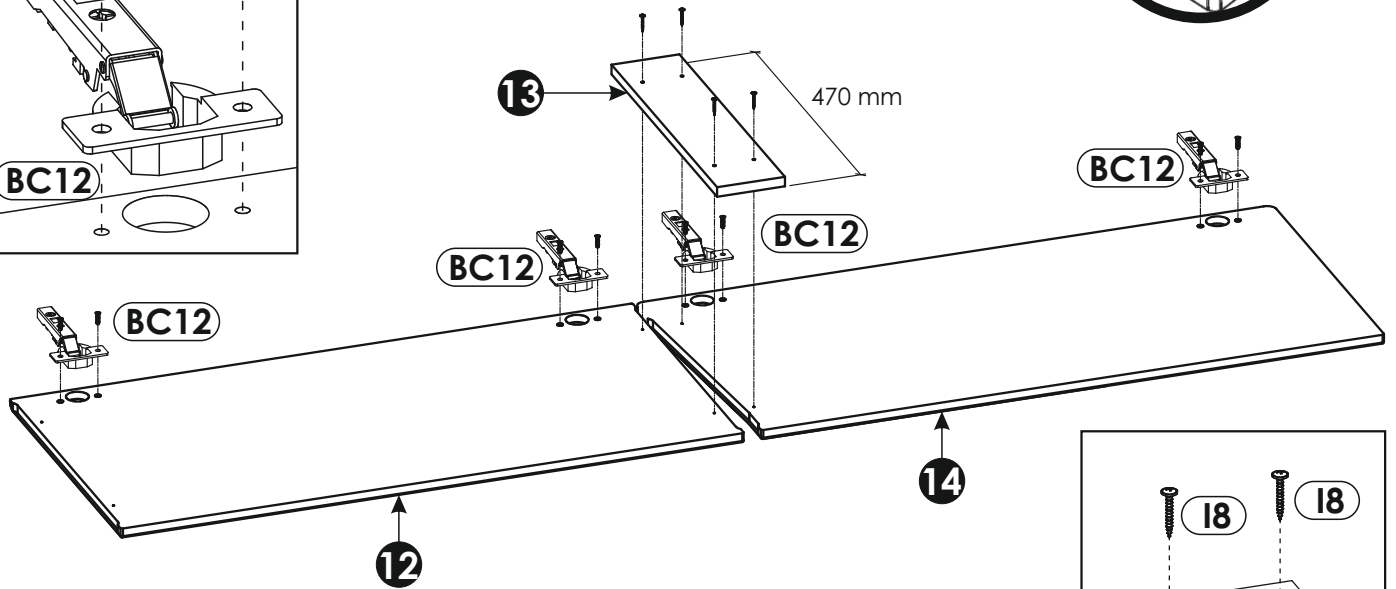
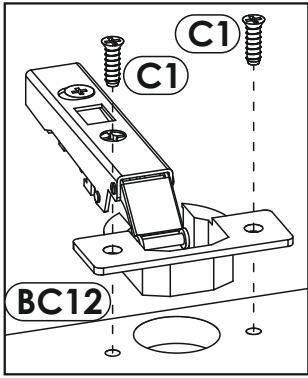
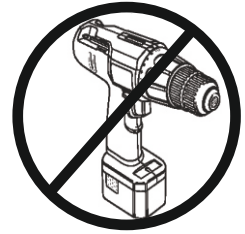


17▶



18 ▶





20 ▶

