
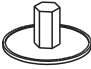




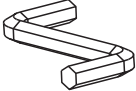

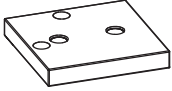
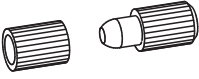
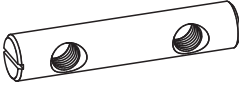
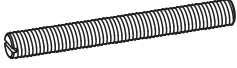


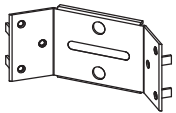
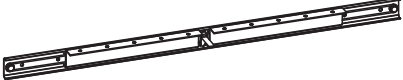
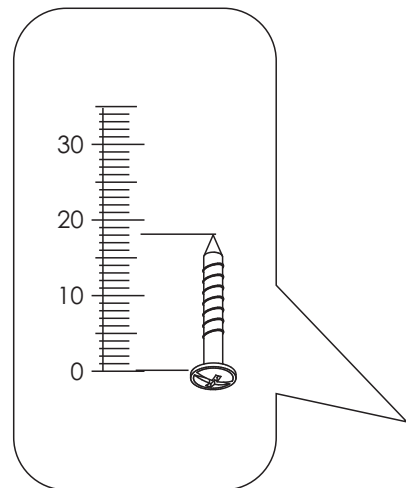
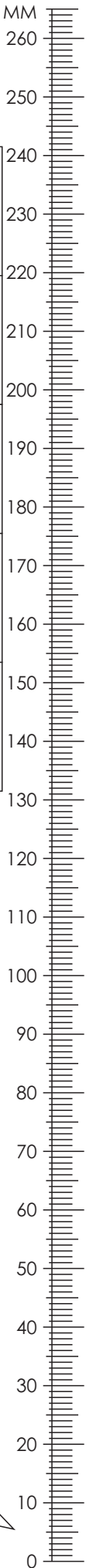
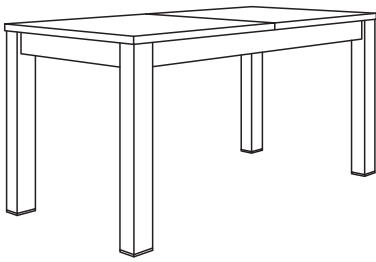
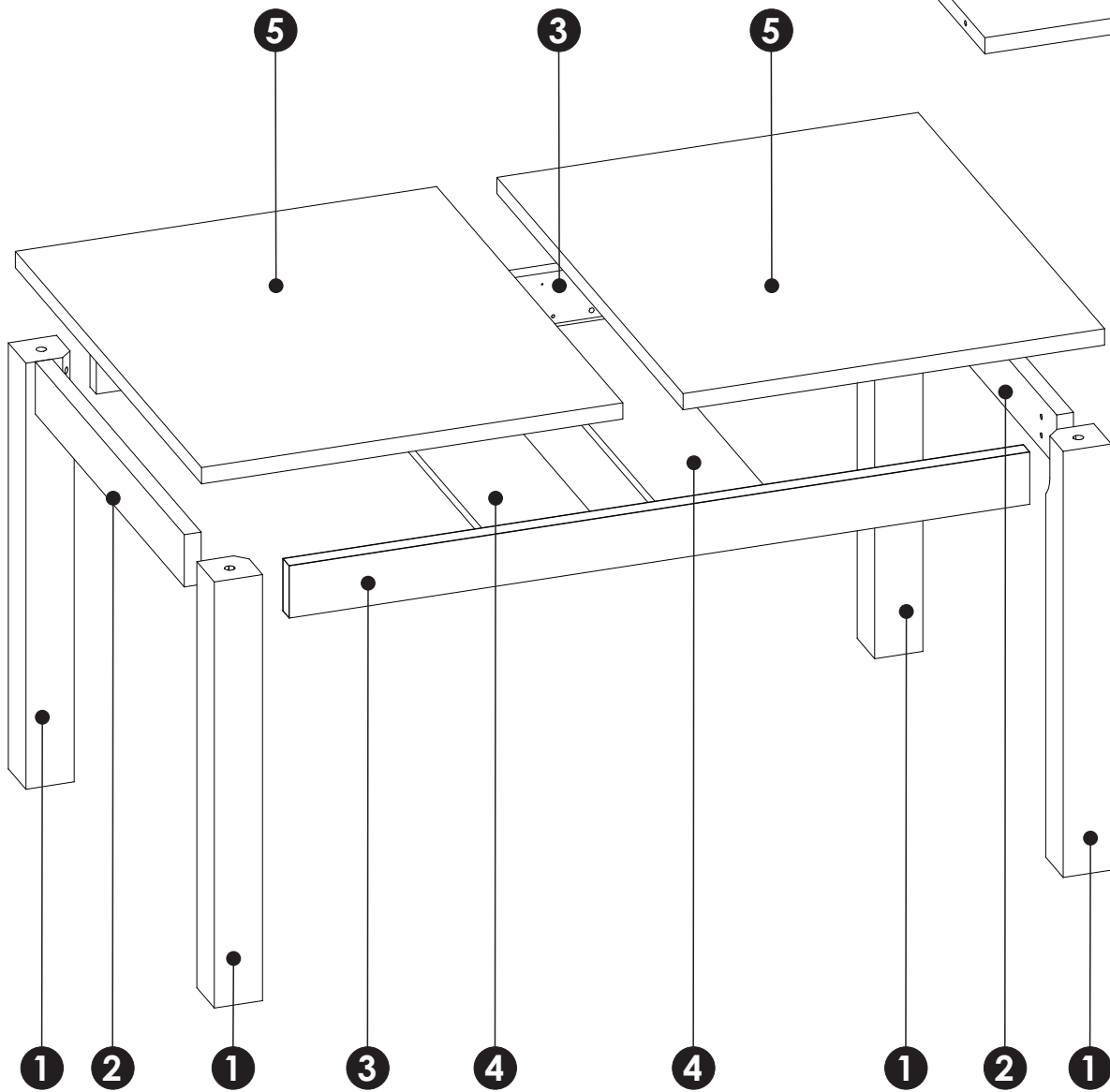
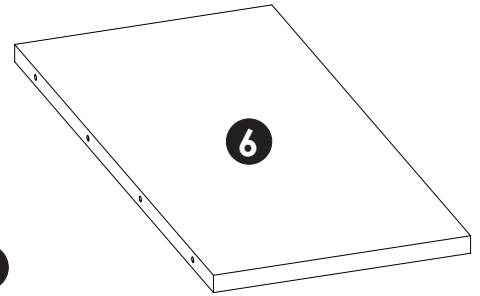


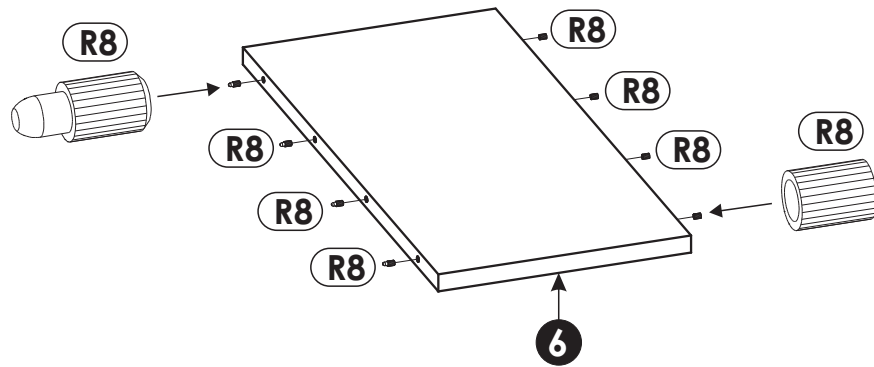
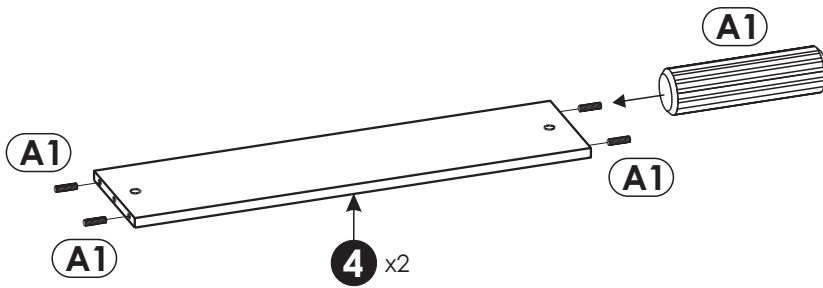
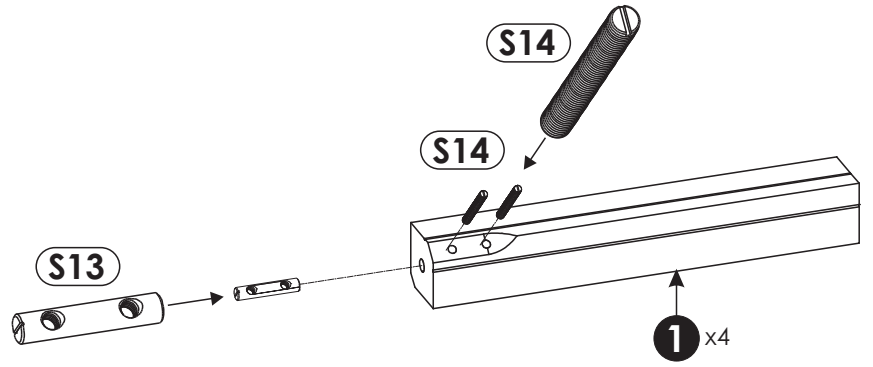
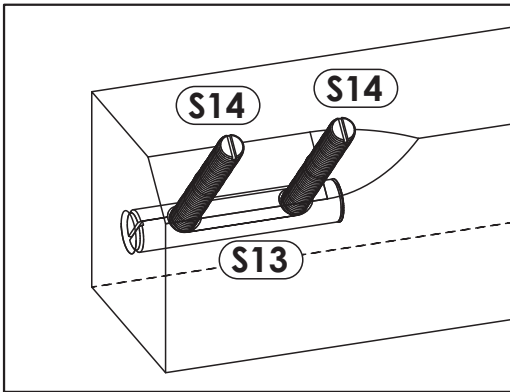
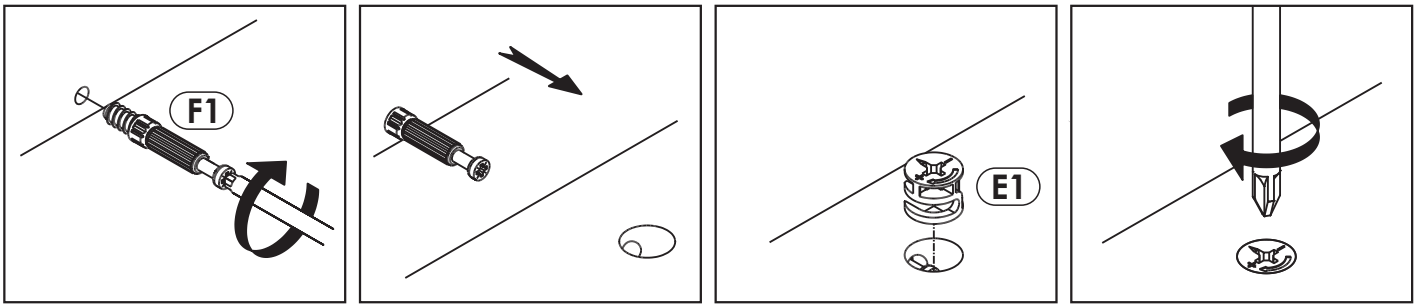
A1 x 8 \varnothing 8 x 35 mm 	E0 x 4 	E1 x 4 
F1 x 4 \varnothing 6 x 34 mm 	I3 x 40 4 x 20 mm 	I5 x 8 3,5 x 30 mm 
M x 1 	N2 x 24 3,5 x 16 mm 	O24 x 4 
R8 x 8 	S13 x 4 	S14 x 8 
S15 x 8 	S16 x 8 	S17 x 4 
T9 x 2 		



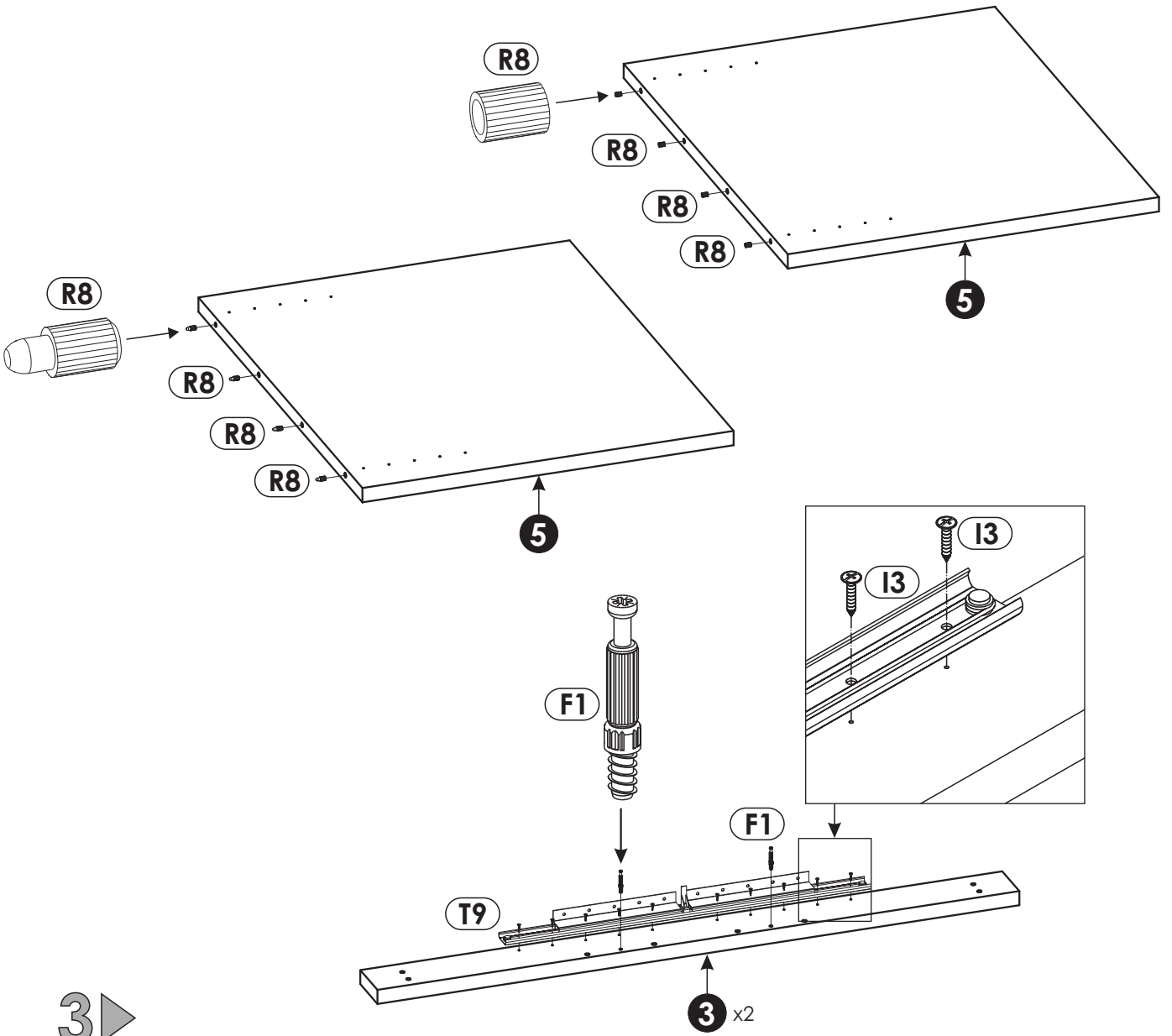


1	734	70	70	x4	1/2
2	700	90	28	x2	1/2
3	1250	90	28	x2	1/2
4	774	180	16	x2	2/2
5	700	850	28	x2	2/2
6	400	850	28	x1	2/2

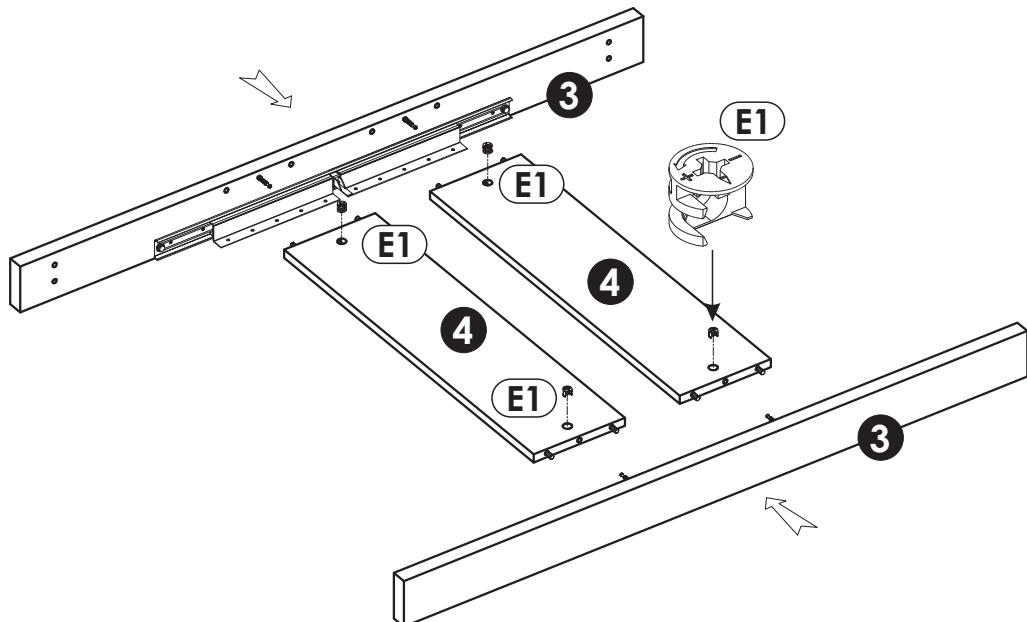




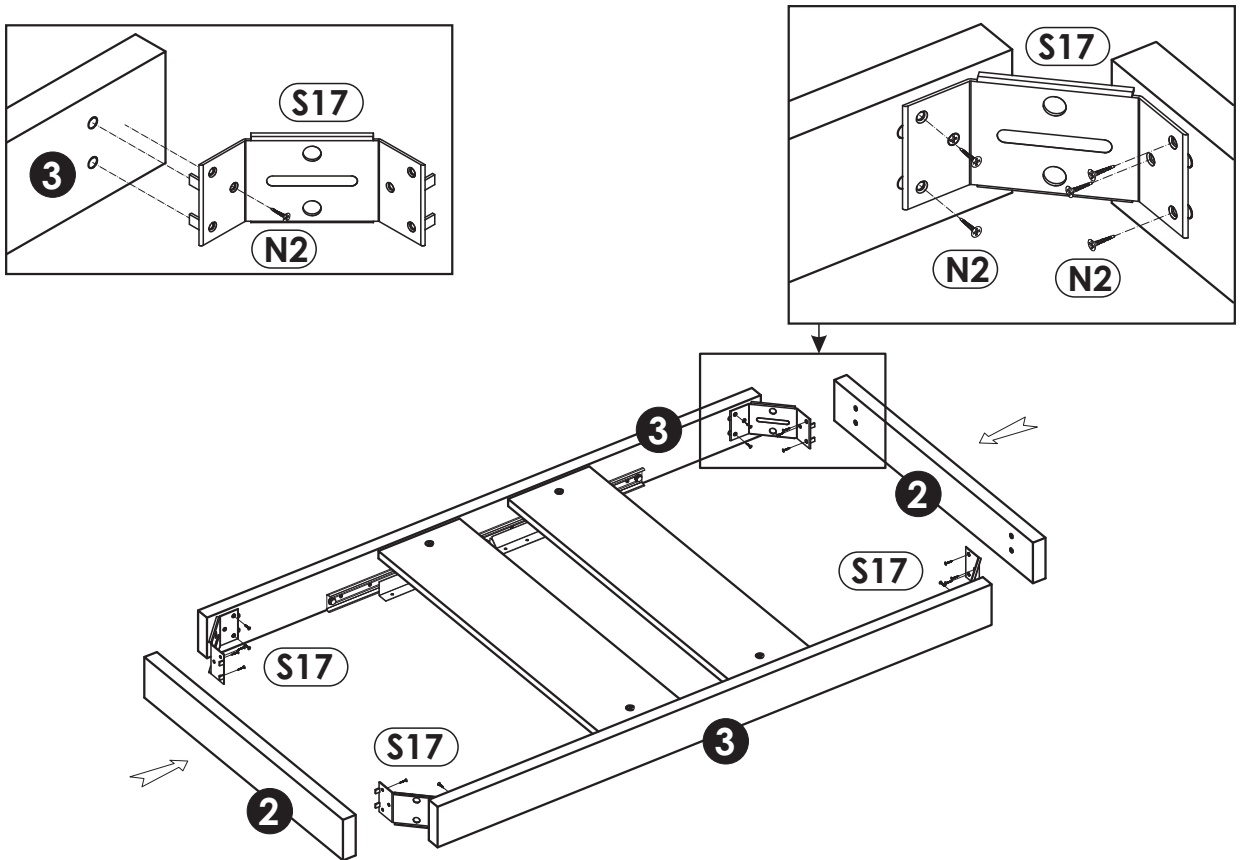
2 ▶



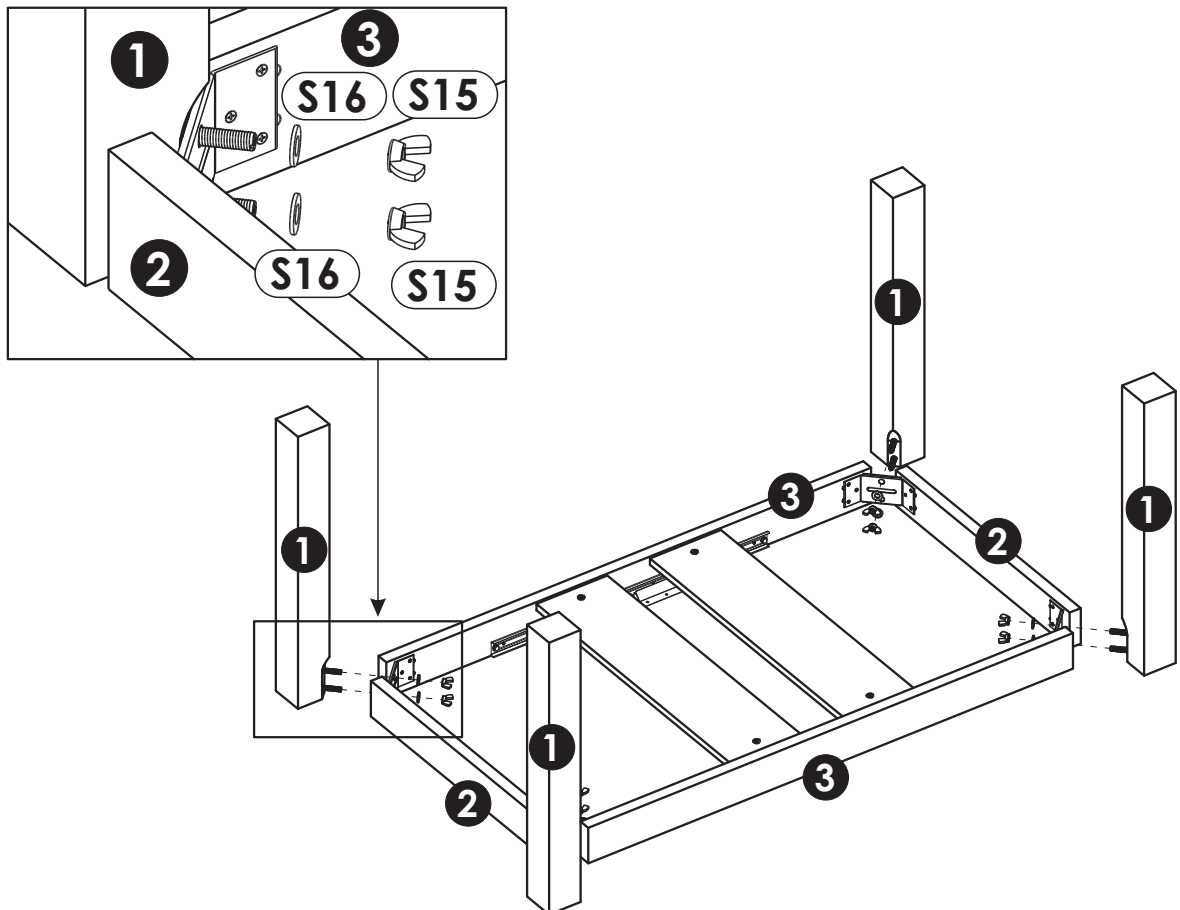
3 ▶



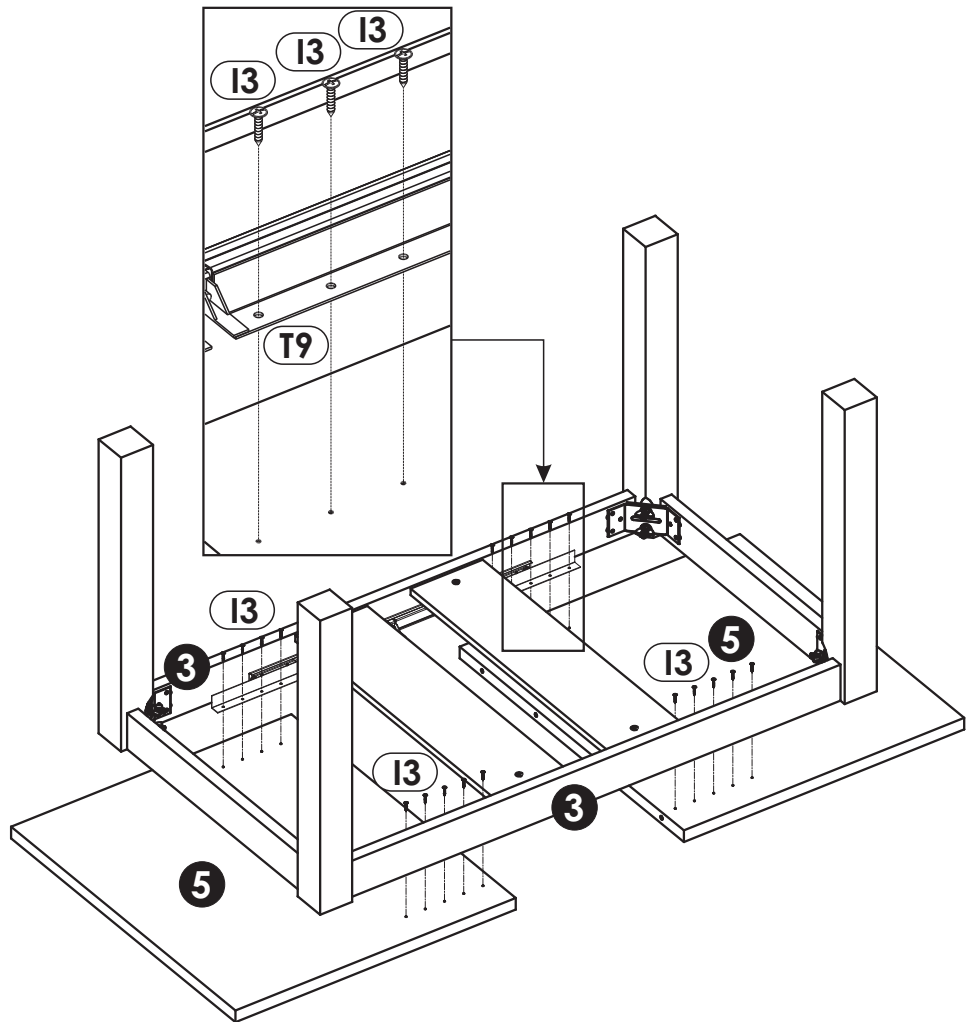
4 ▶



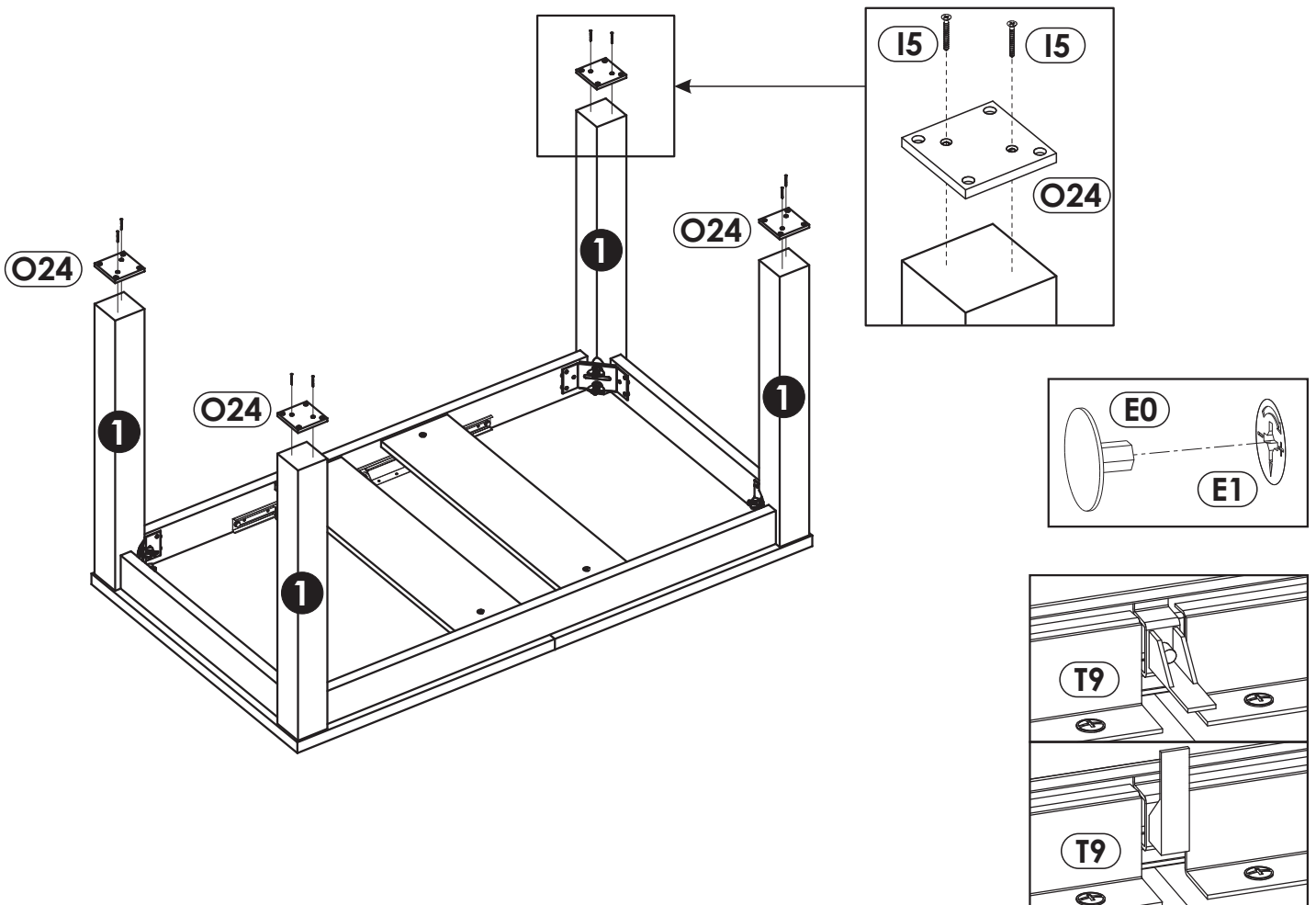
5 ▶



6 ▶



7 ▶



8 ▶

