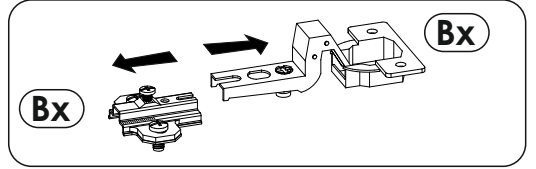
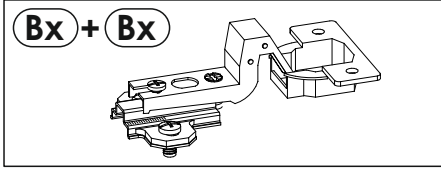
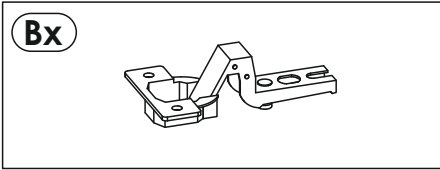
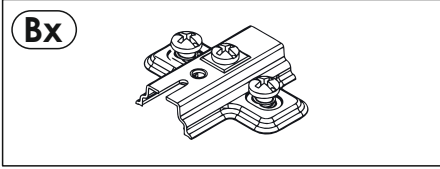


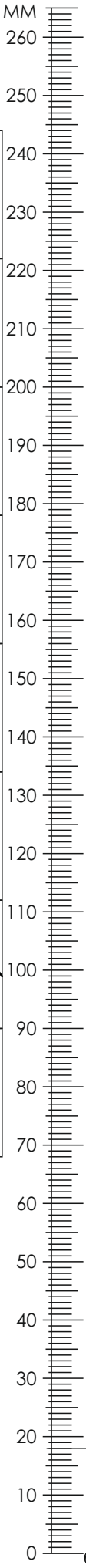


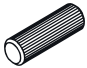
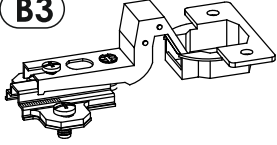



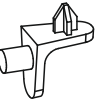



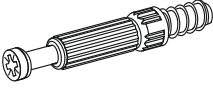
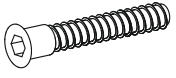


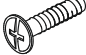

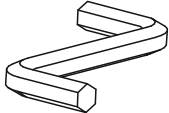
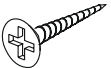
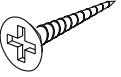
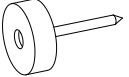
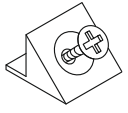
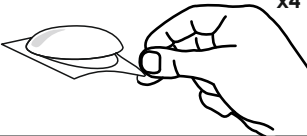
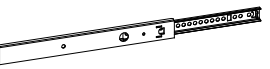
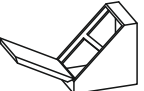
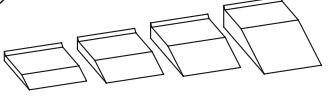
A

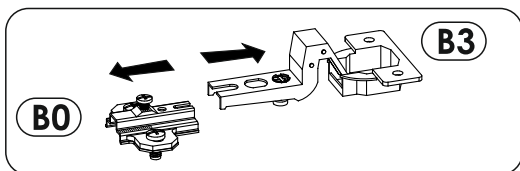


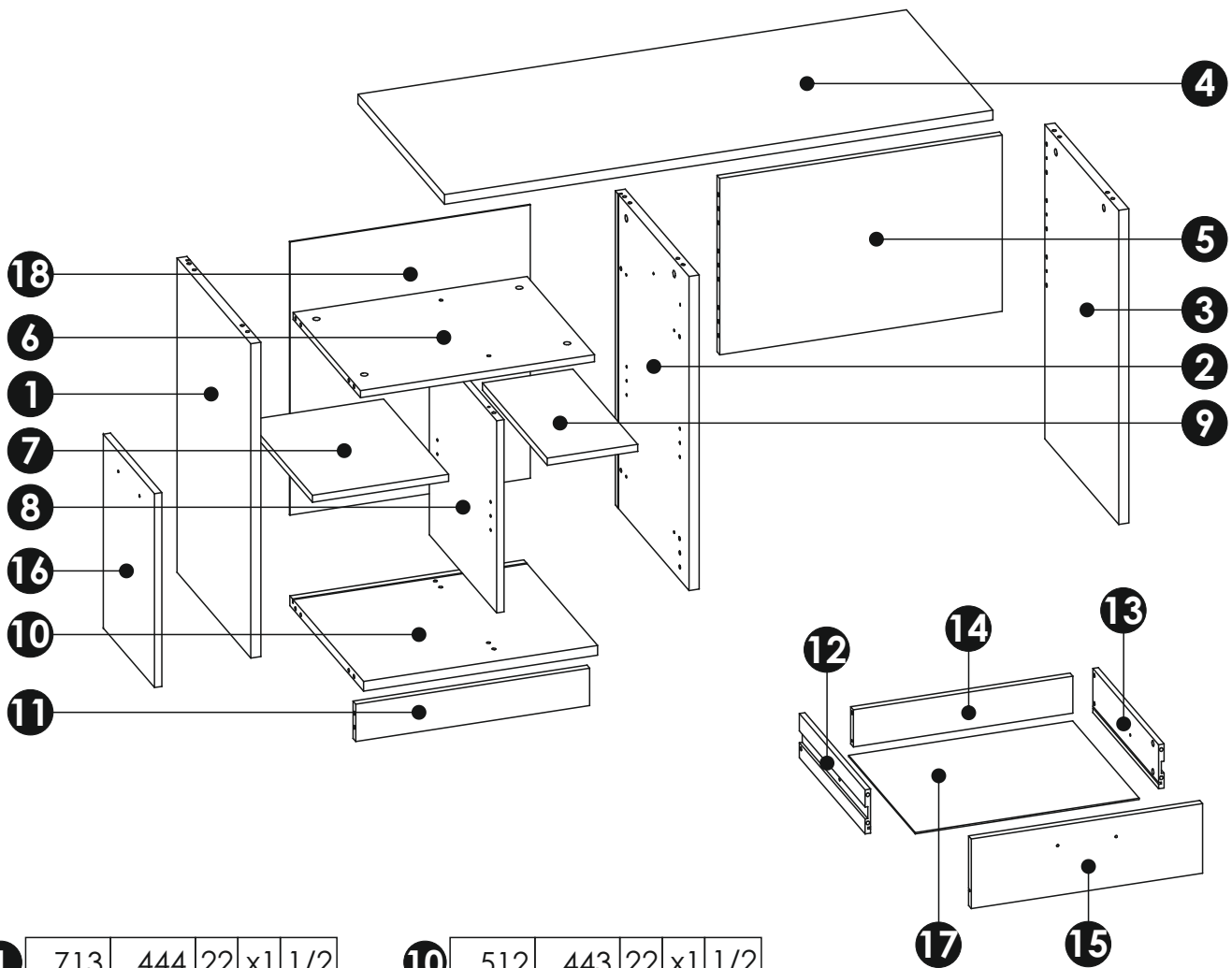
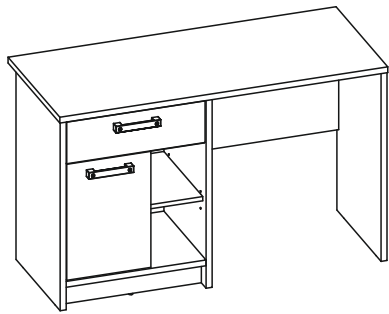
B





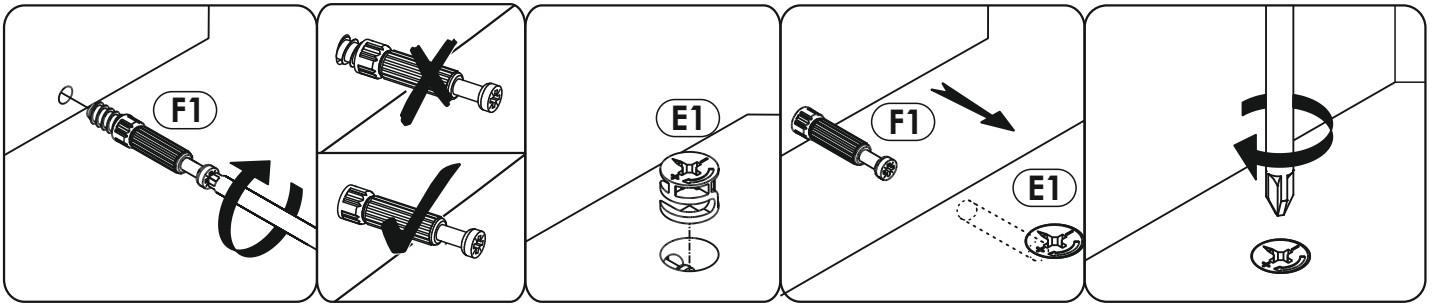
A1 8 x 35 mm x36 	B0 + B3 x2 	C1 4 x 13 mm x4 
C2 5 x 13 mm x4 	D2 x4 	D6 x4 
E0 x8 	E1 15 x 12 mm x20 	E3 13 x 10,7 mm x4 
F1 6 x 34 mm x24 	G1 7 x 50 mm x4 	G2 7 x 60 mm x2 
H1 x2 	I6 4 x 27 mm x4 	K1 4 x 9 mm x2 
M x1 	N1 3 X 16 mm x5 	N2 3,5 X 16 mm x4 
O2 x7 	R4 x7 	R8 x4 
T3 L-251 x2 	W x2 	Z x1 



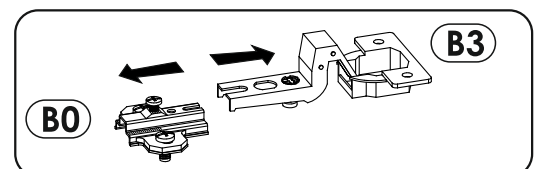
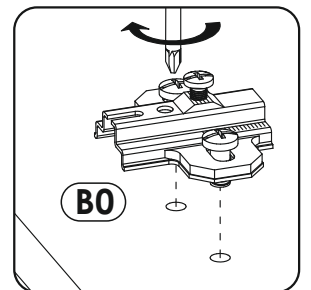
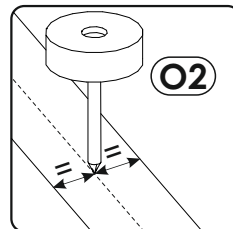
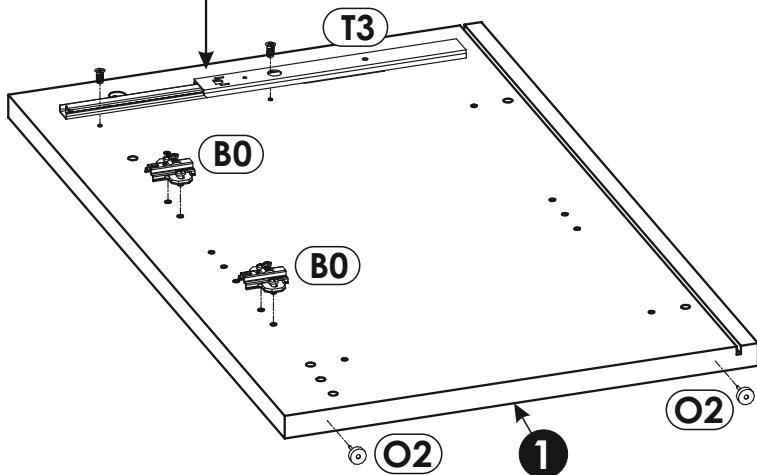
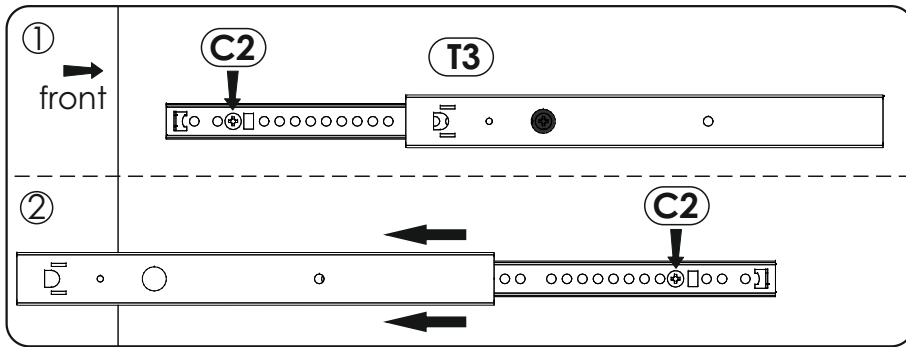
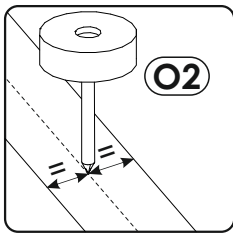
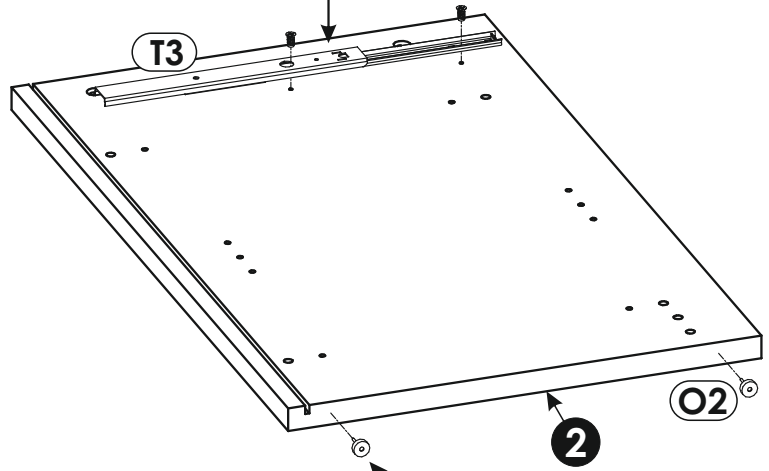
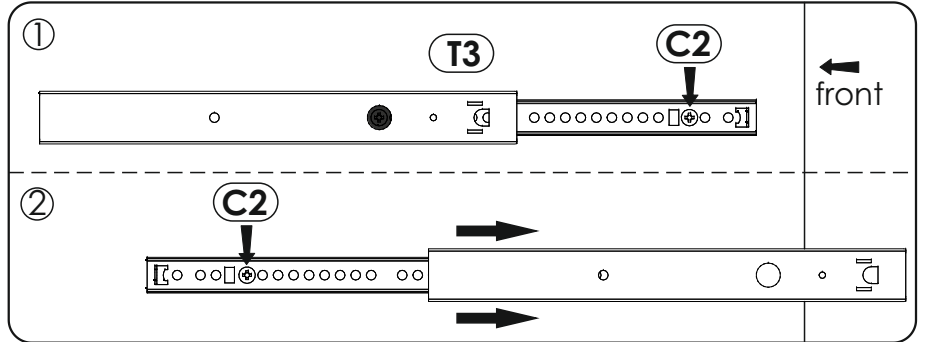
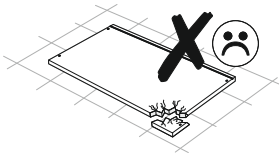
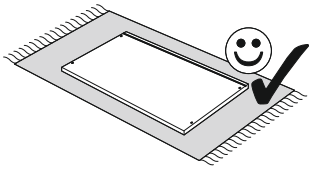


1	713	444	22	x1	1/2
2	713	444	22	x1	2/2
3	713	444	22	x1	1/2
4	1200	520	22	x1	2/2
5	618	400	16	x1	2/2
6	512	405	16	x1	1/2
7	298	390	16	x1	1/2
8	436	405	16	x1	1/2
9	198	390	16	x1	1/2

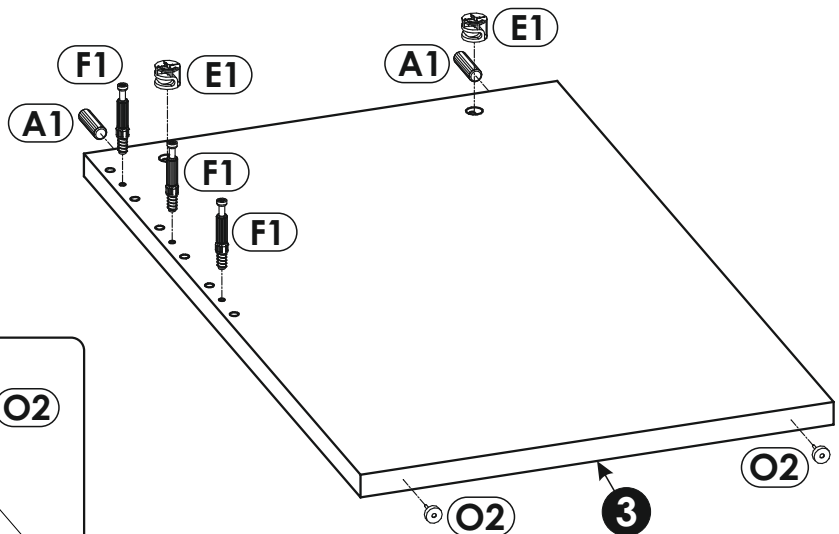
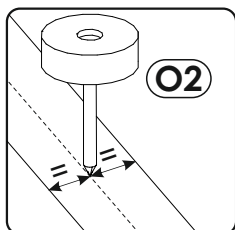
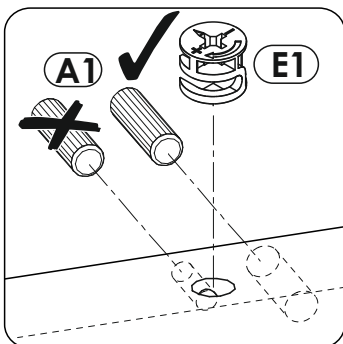
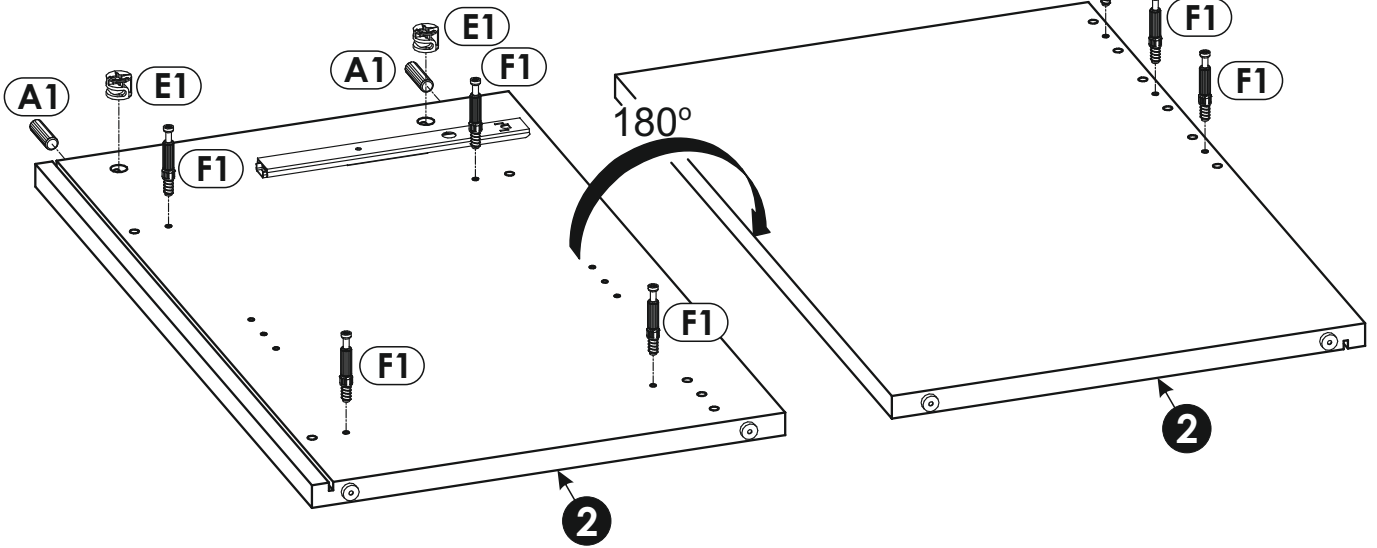
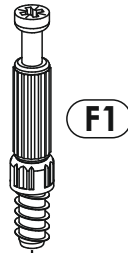
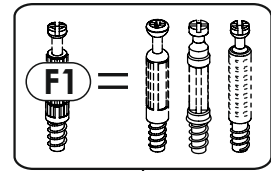
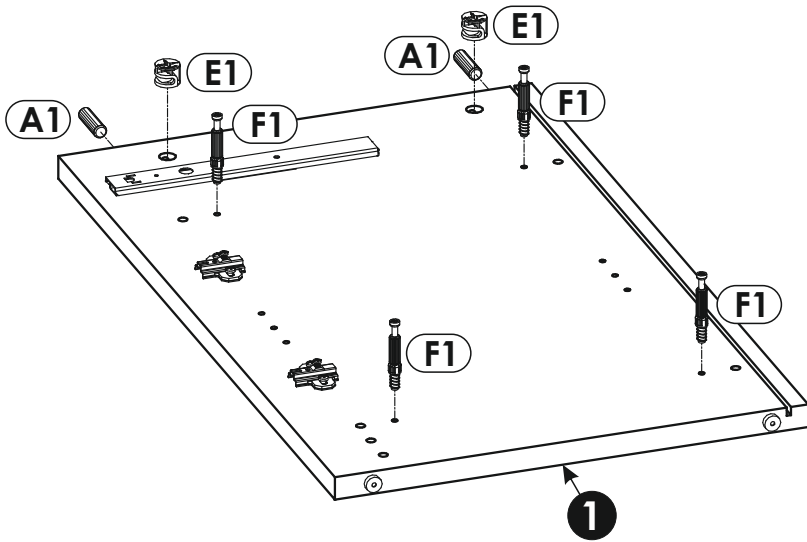
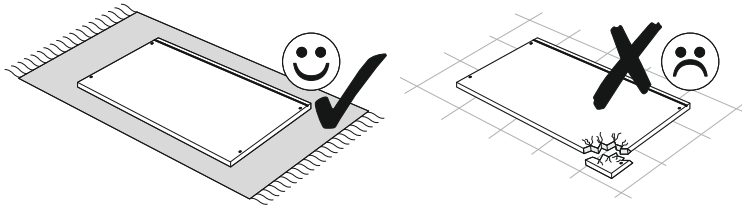
10	512	443	22	x1	1/2
11	512	85	16	x1	2/2
12	395	100	12	x1	2/2
13	395	100	12	x1	2/2
14	480	84	16	x1	2/2
15	506	158	16	x1	2/2
16	440	308	16	x1	2/2
17	490	400	3	x1	1/2
18	620	526	3	x1	2/2



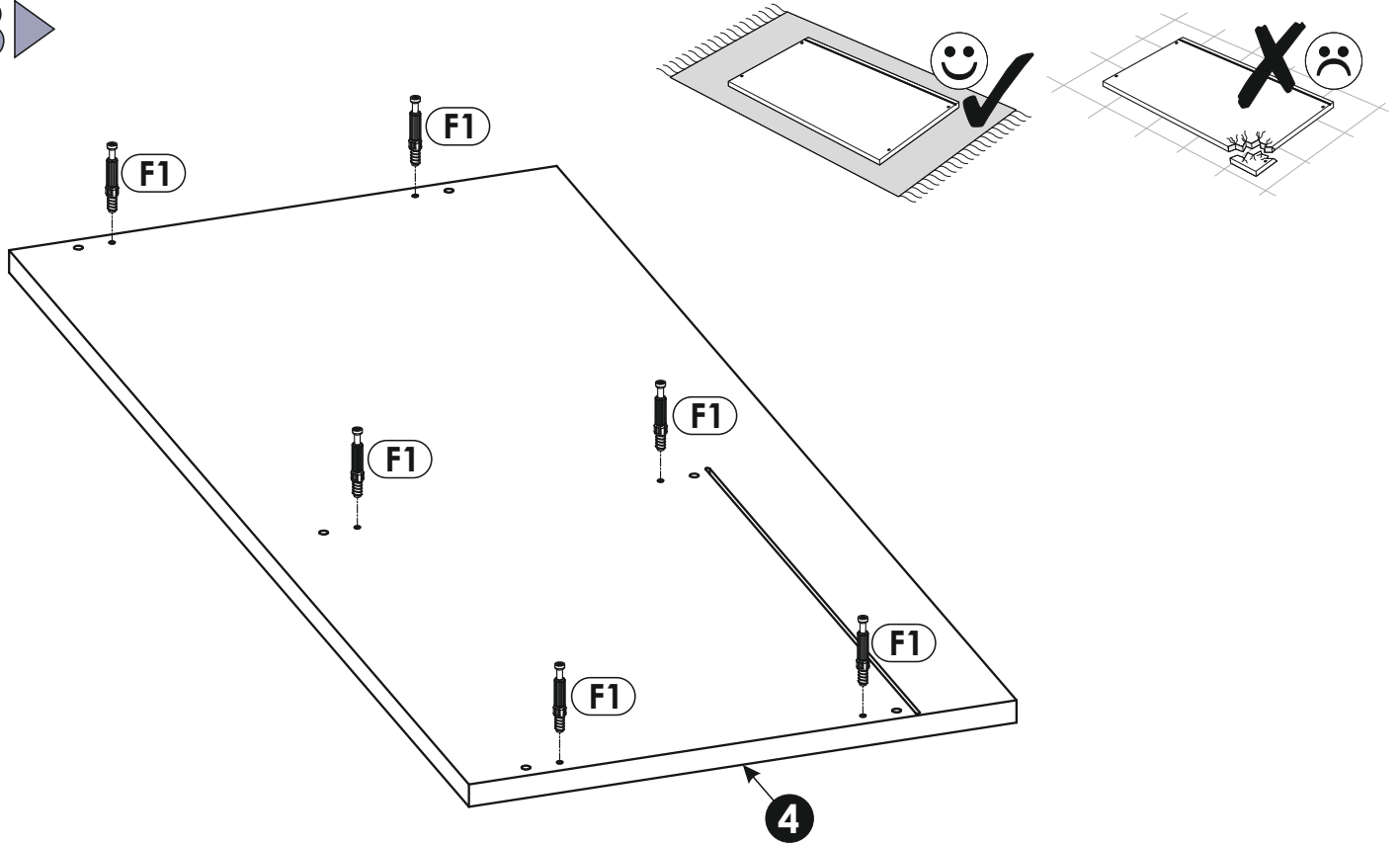
1 ▶



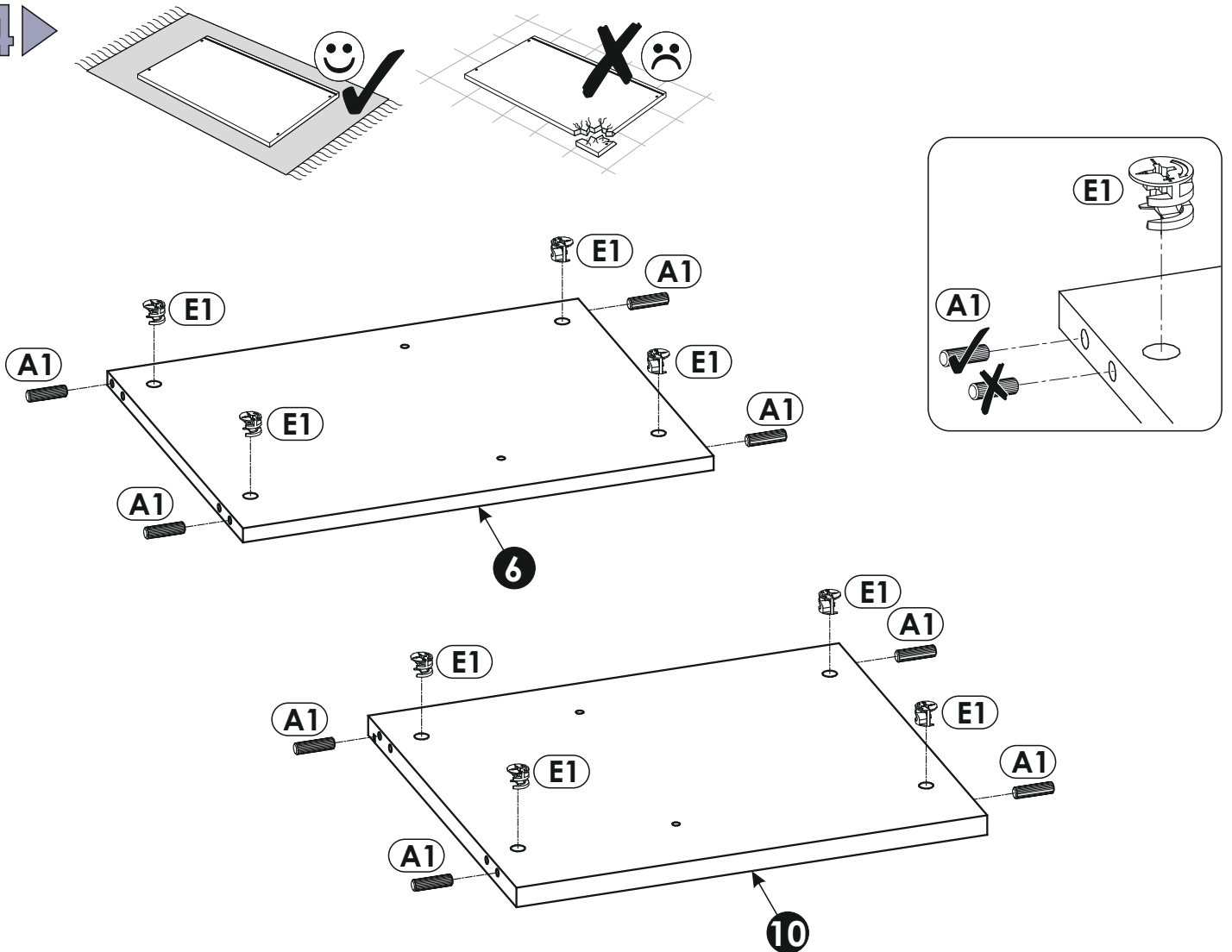
2 ▶



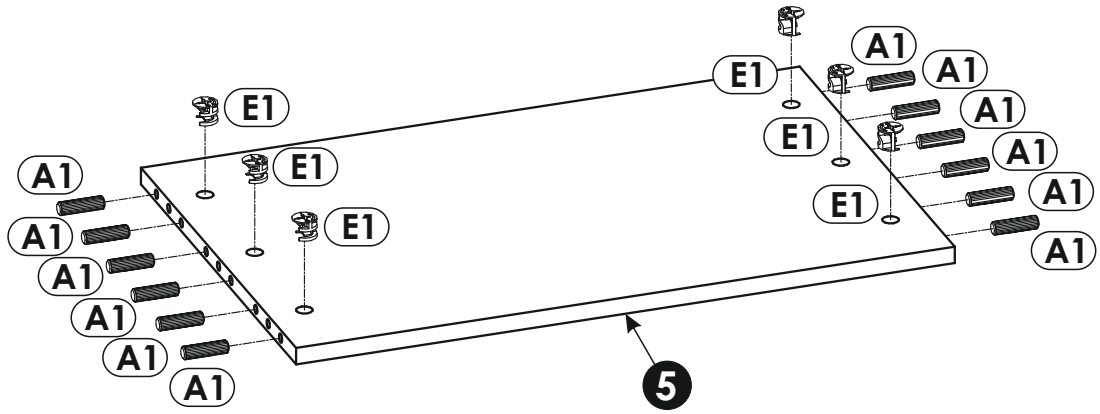
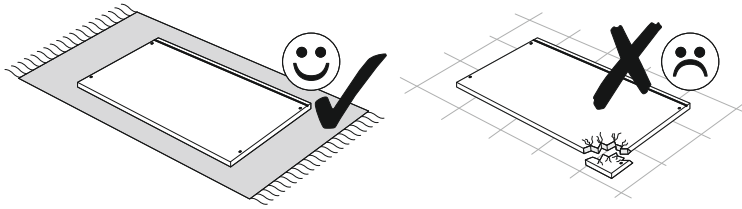
3 ▶



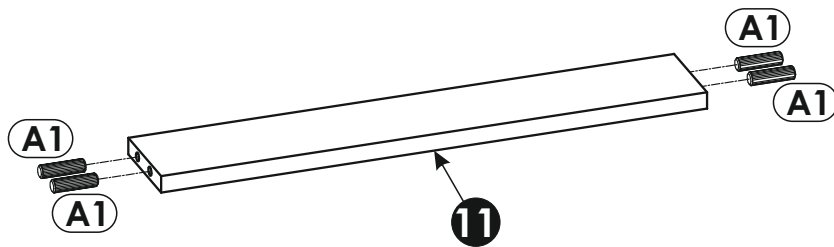
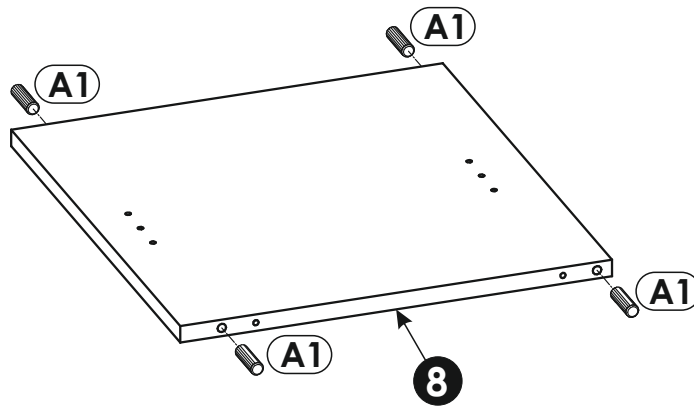
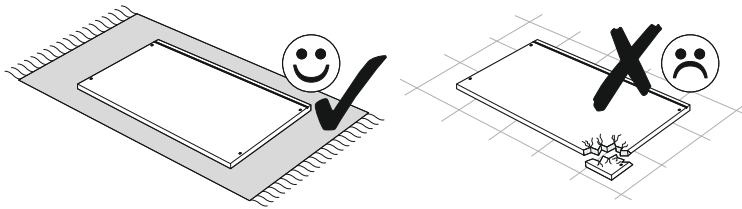
4 ▶

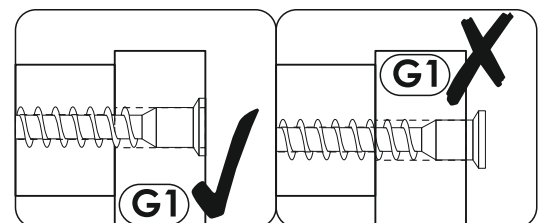
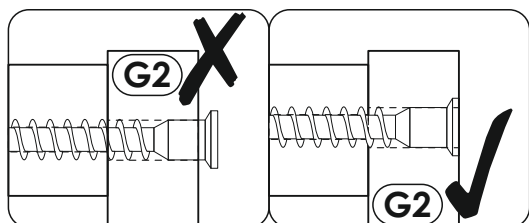
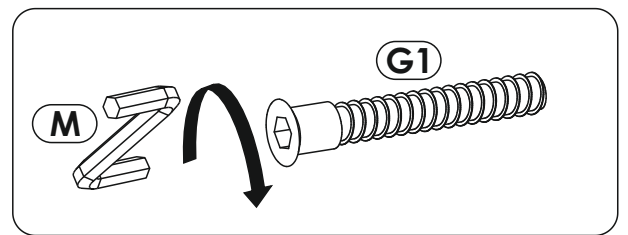
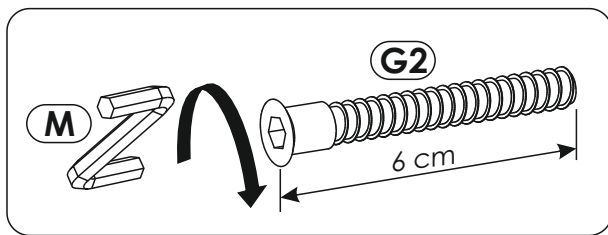
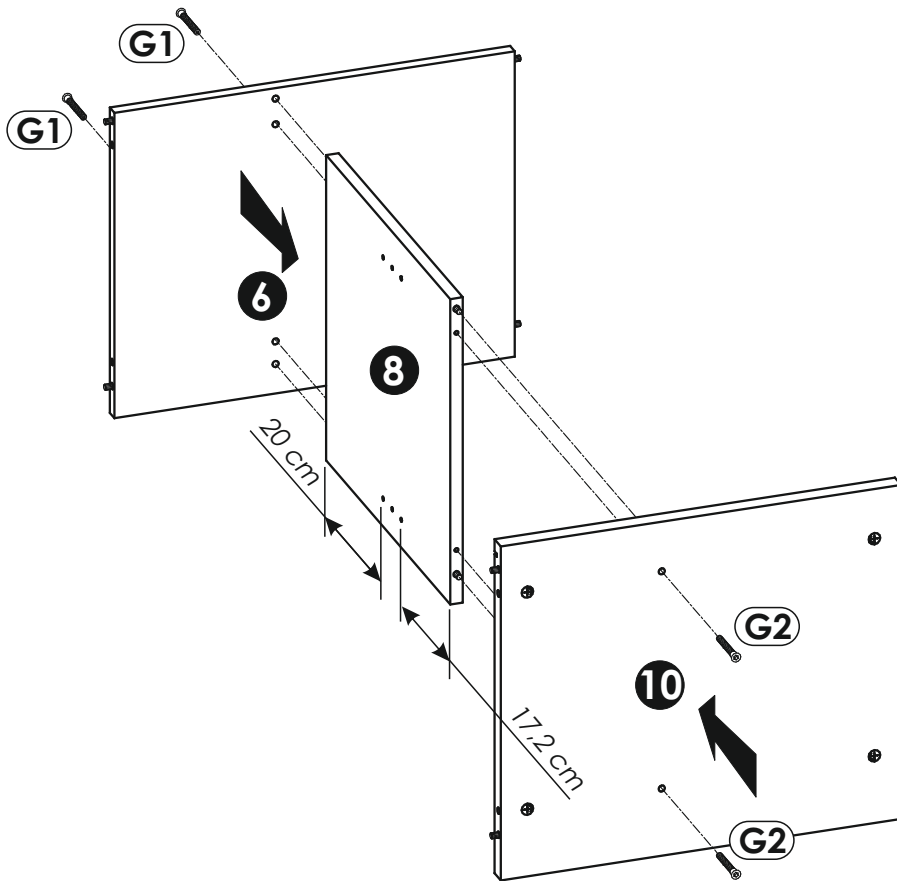
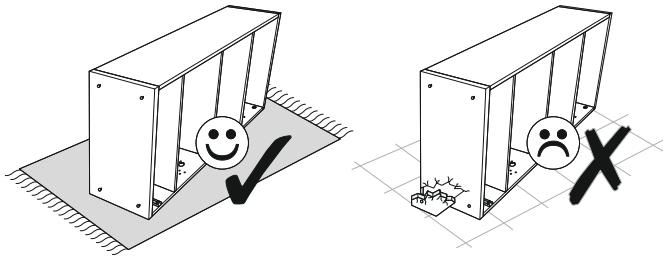


5 ▶

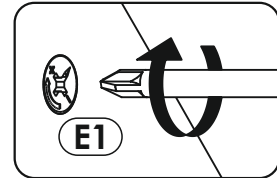
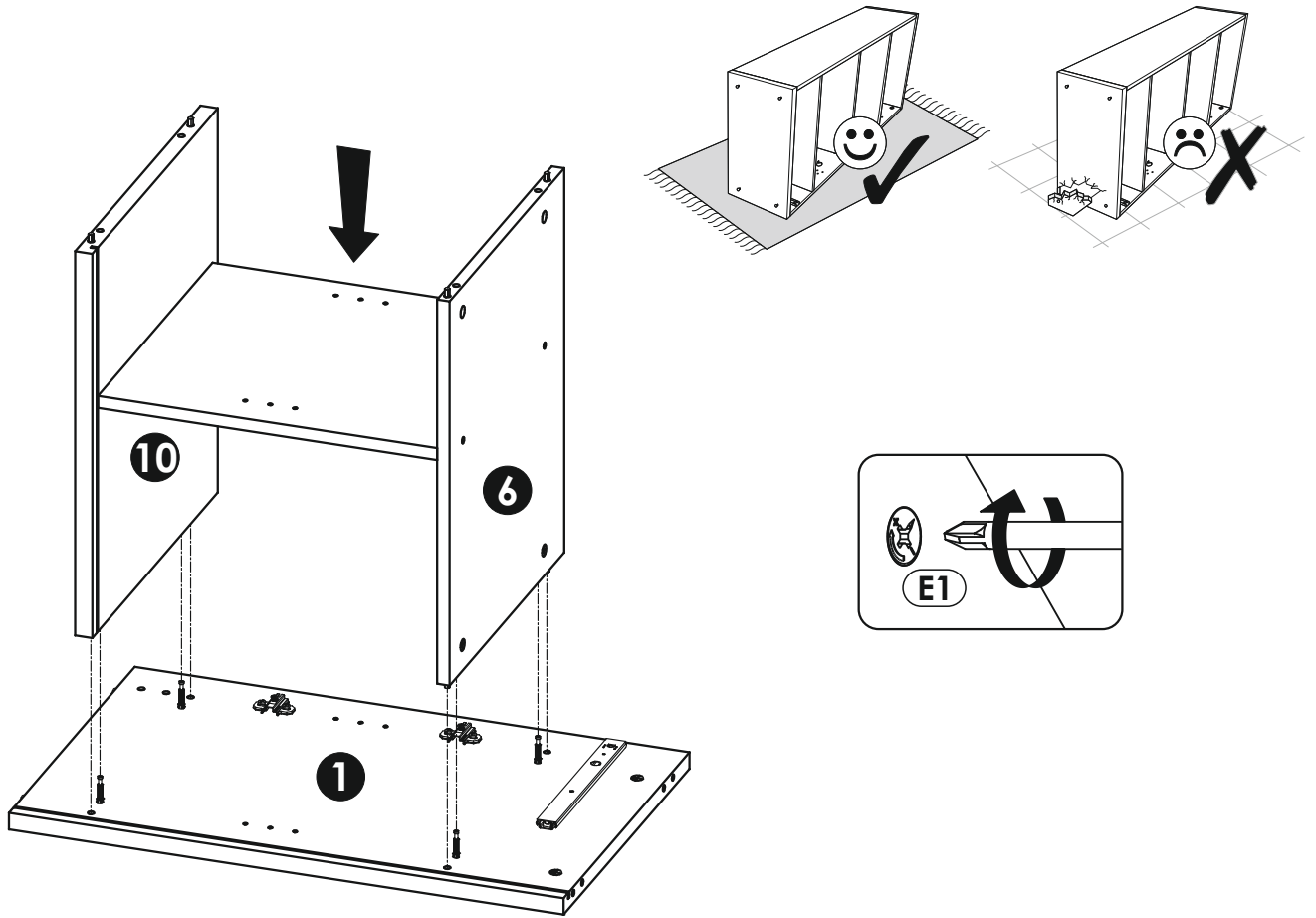


6 ▶

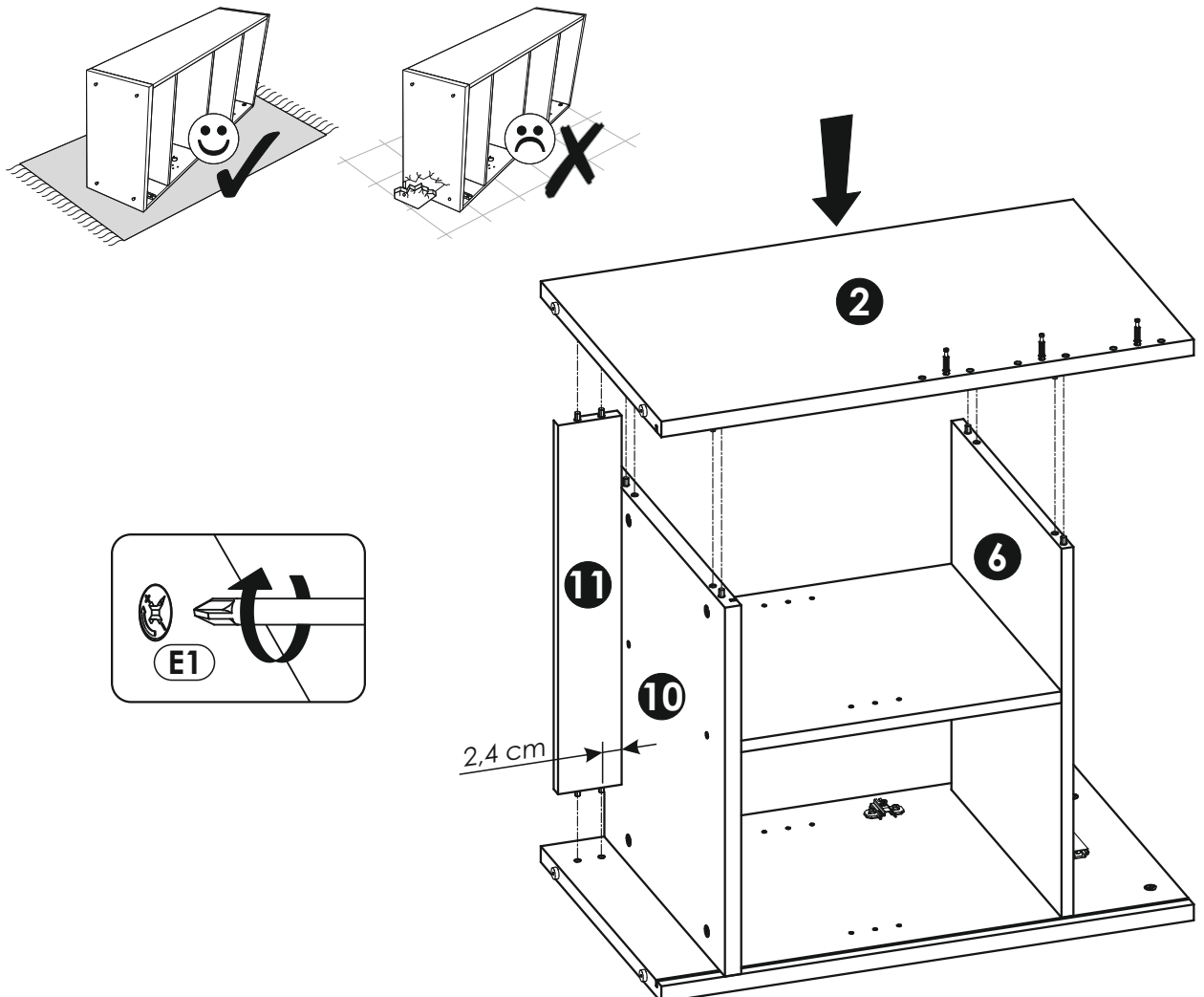




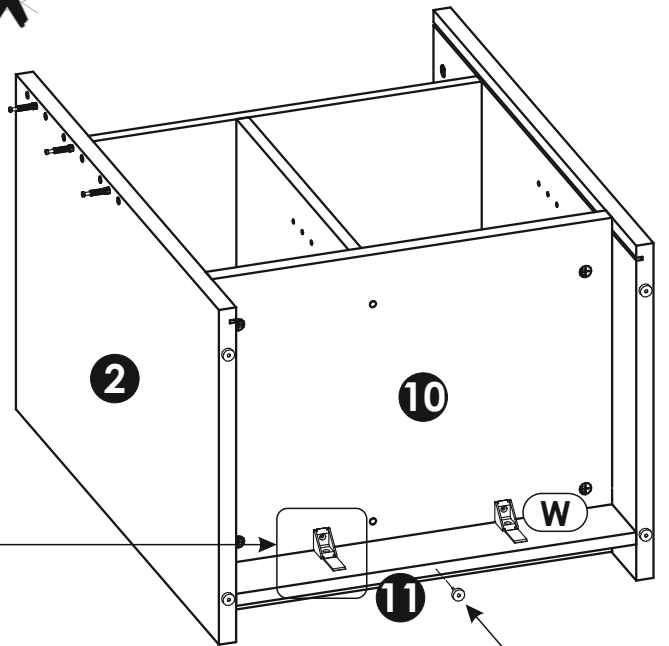
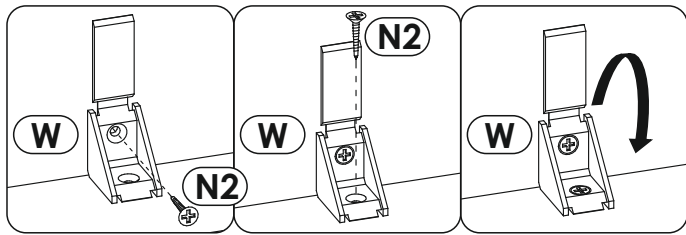
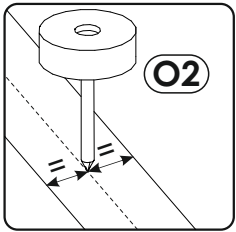
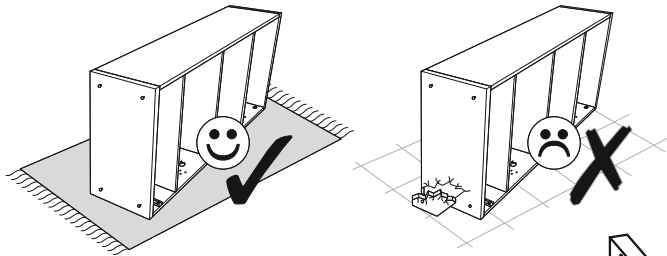
8 ▶



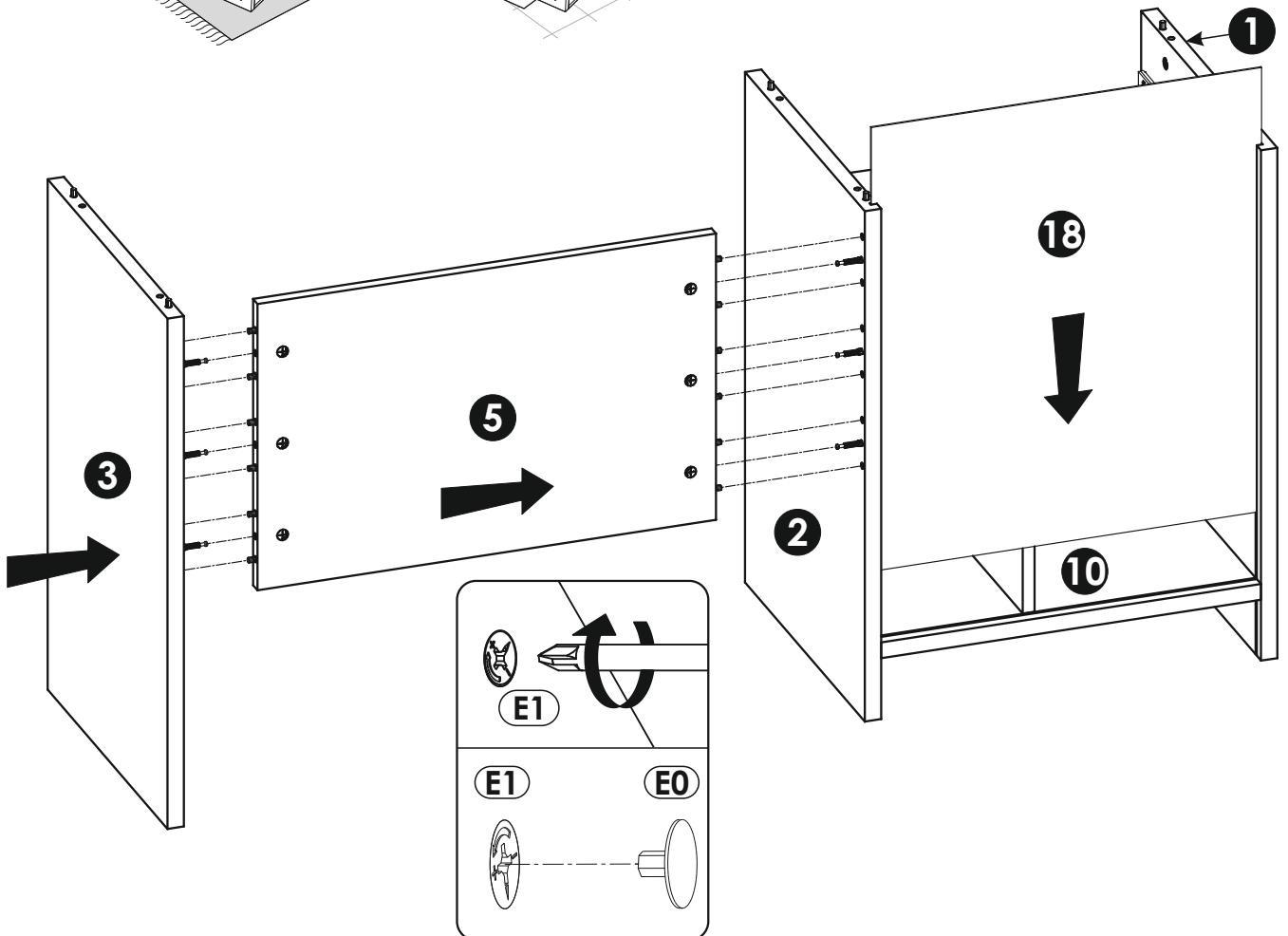
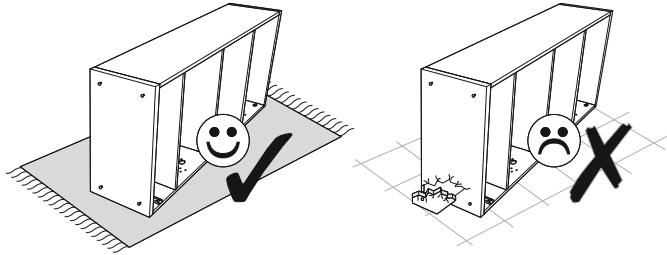
9 ▶



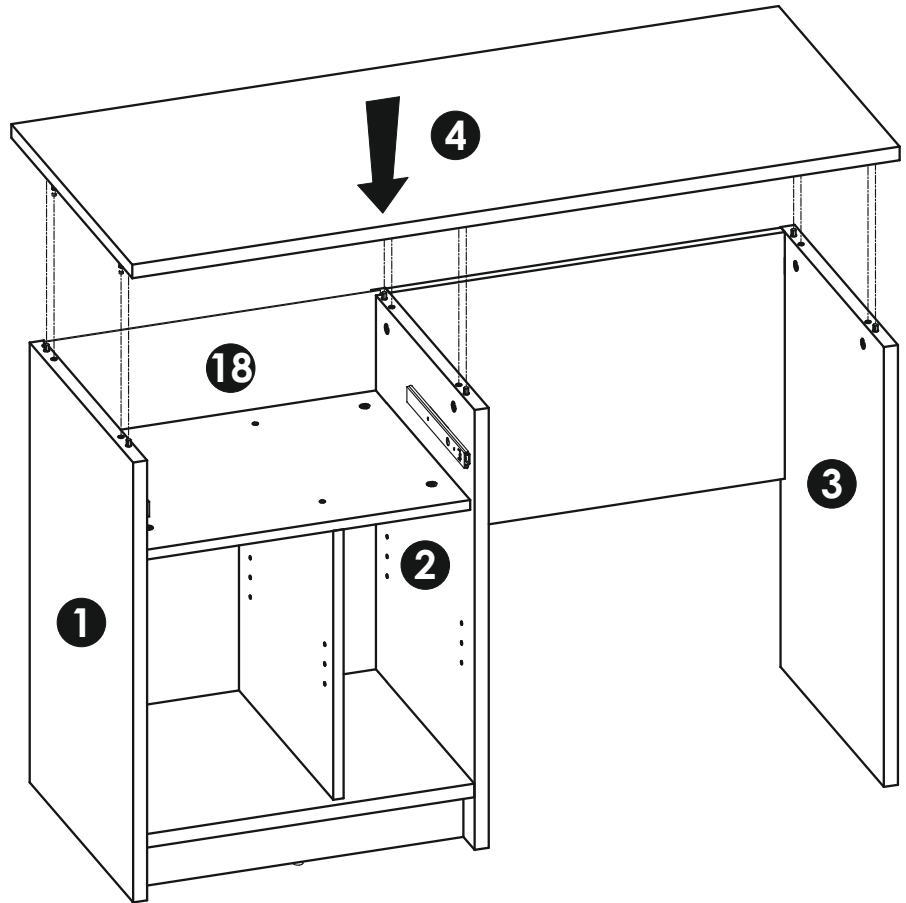
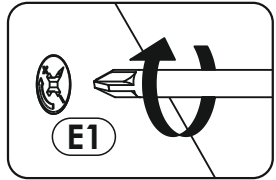
10 ▶



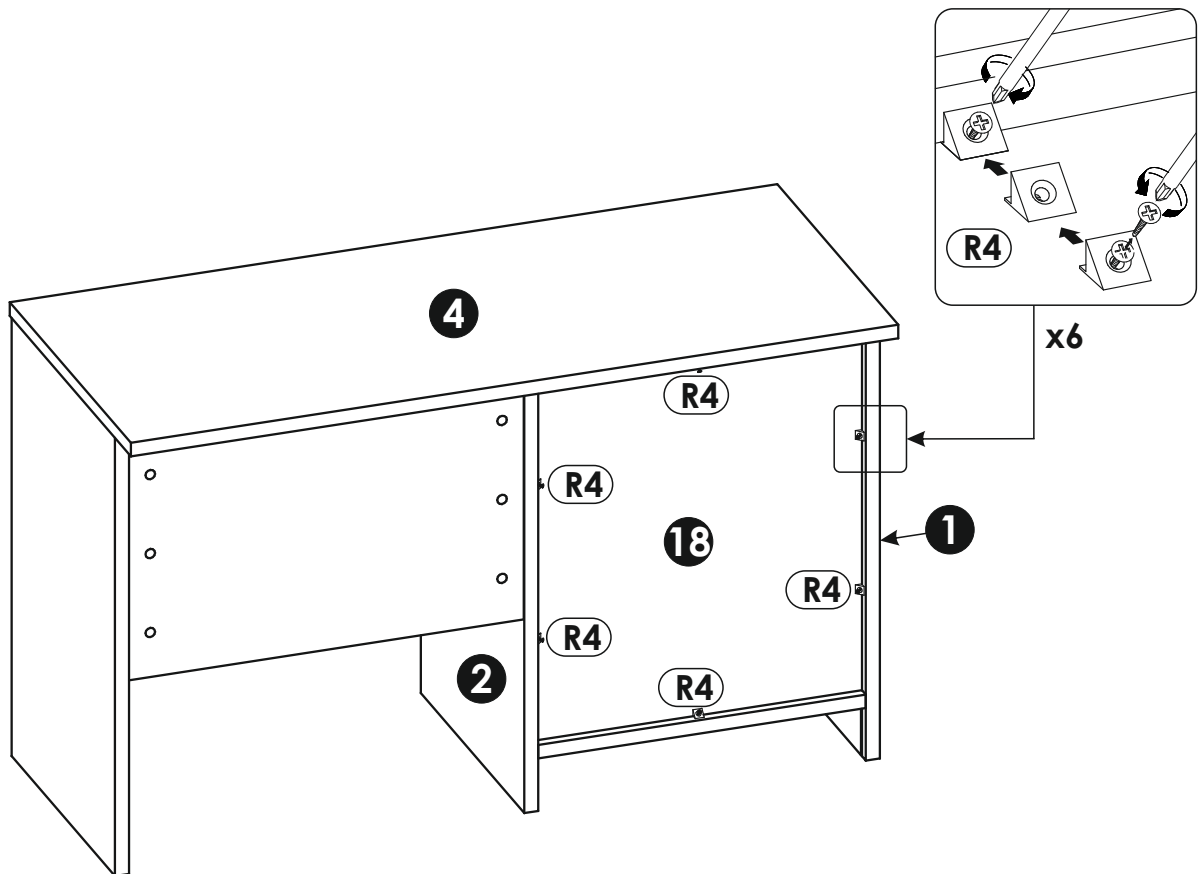
11 ▶



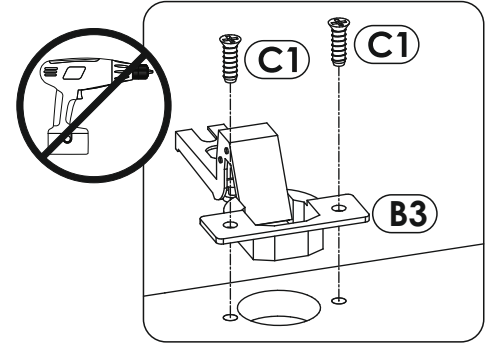
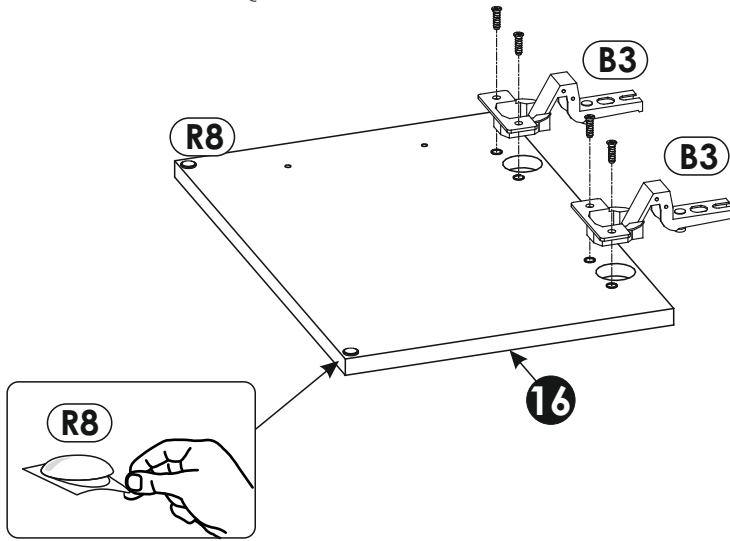
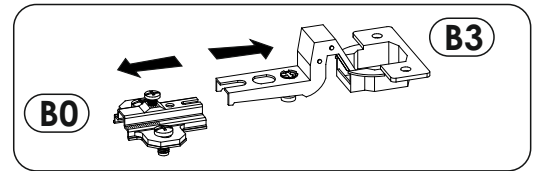
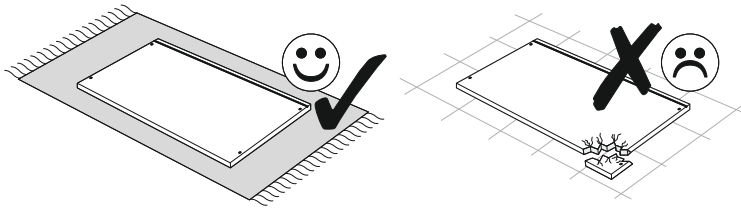
12▶



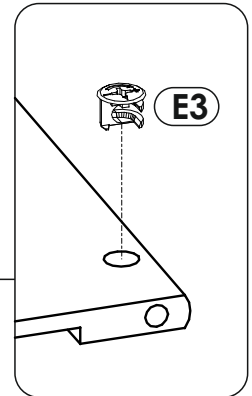
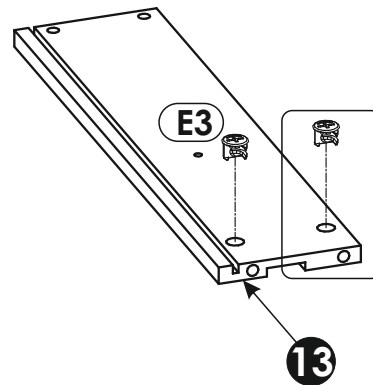
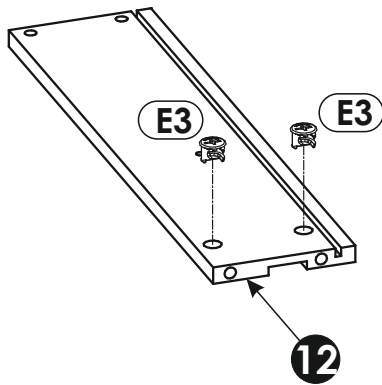
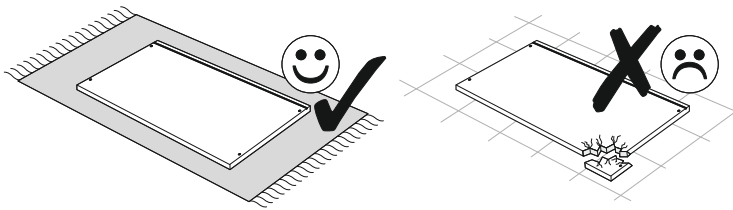
13▶



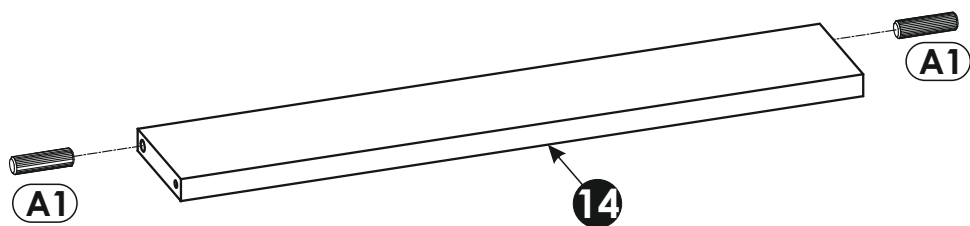
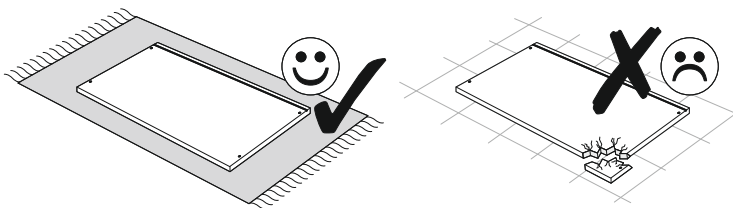
14▶



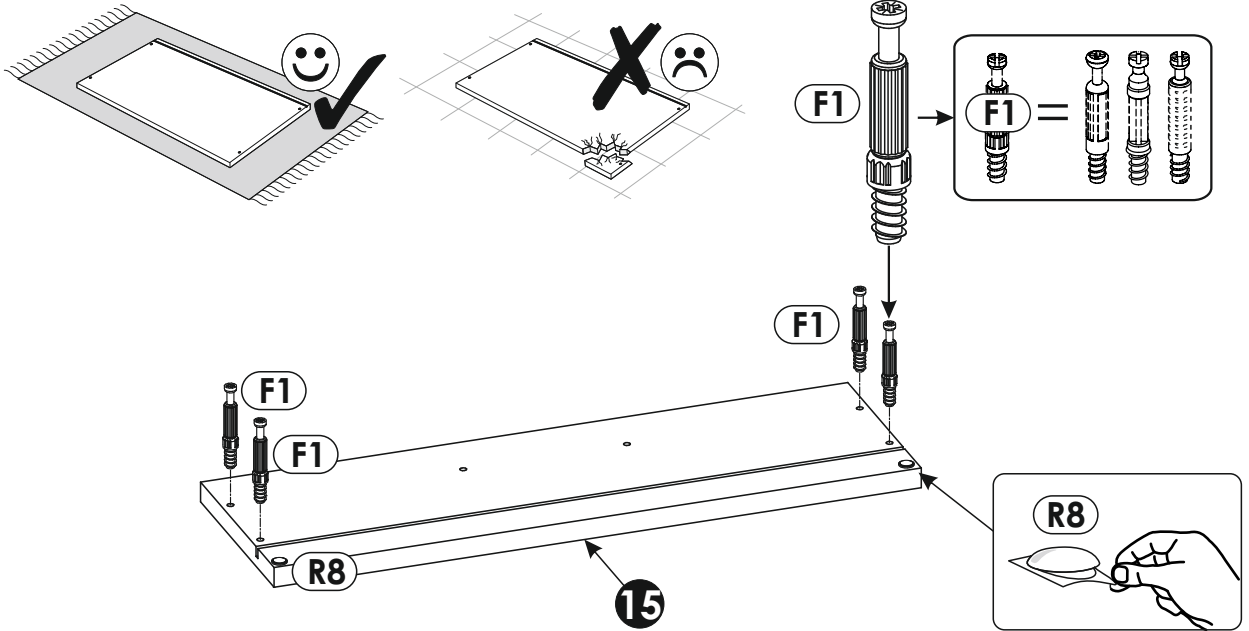
15▶



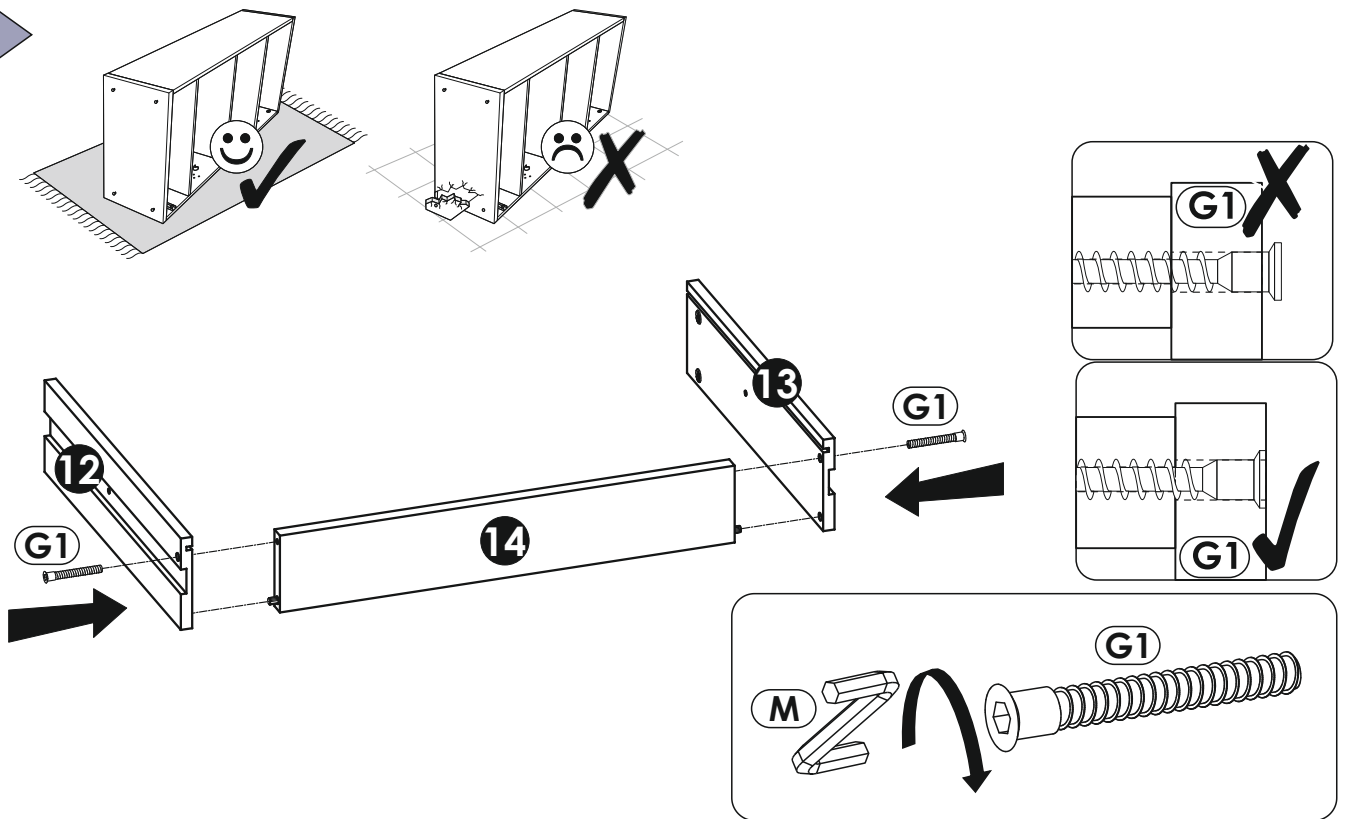
16▶



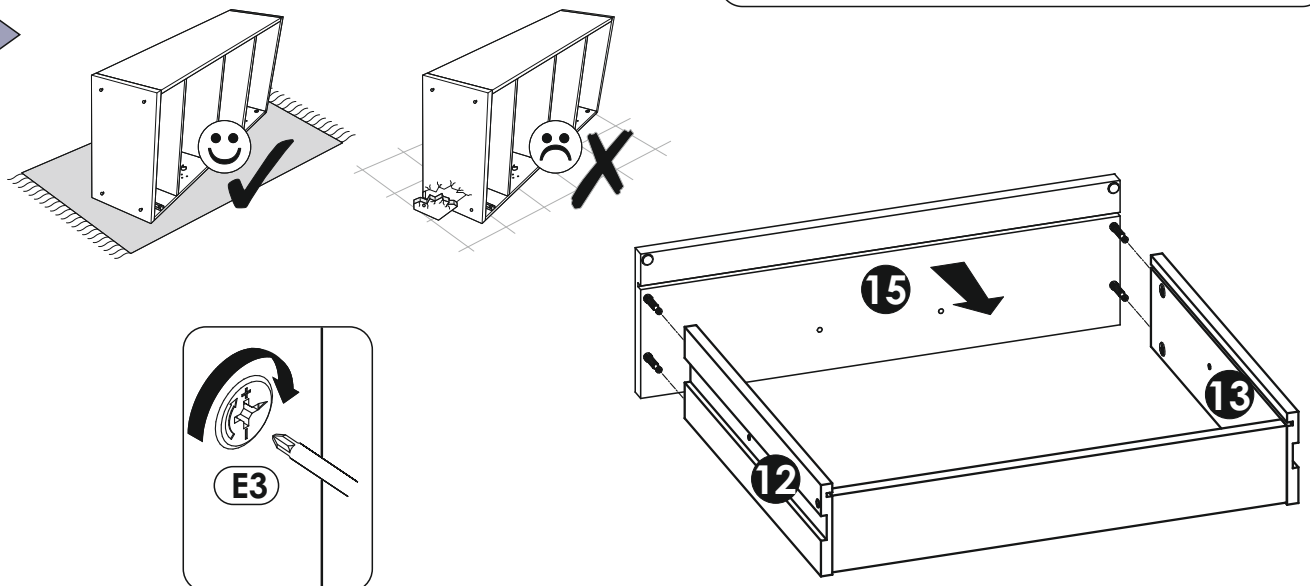
17 ▶



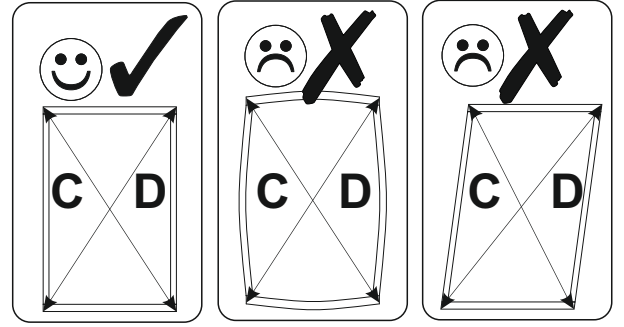
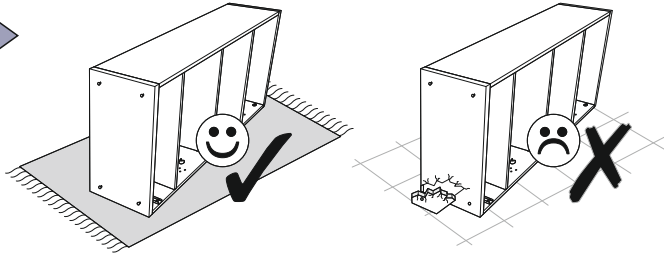
18 ▶



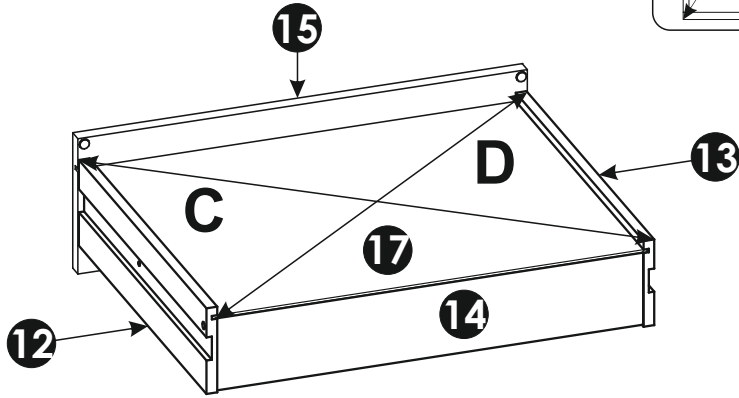
19 ▶



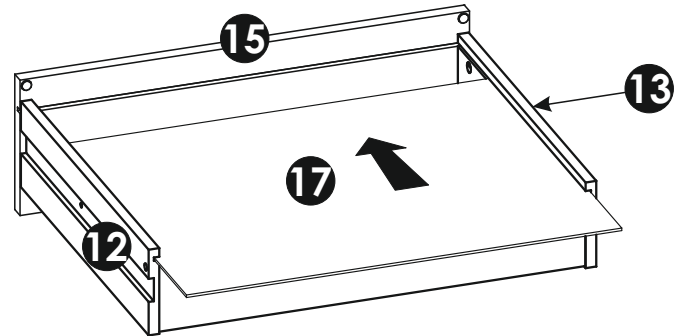
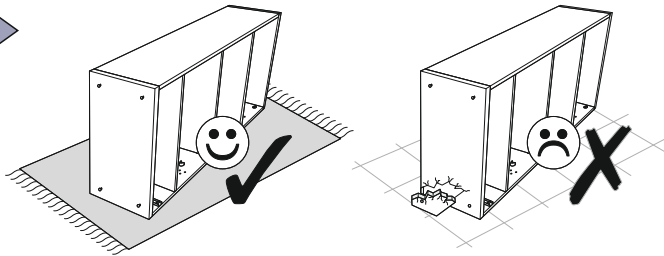
20 ▶



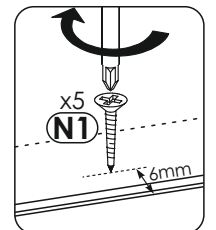
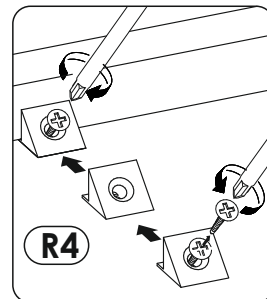
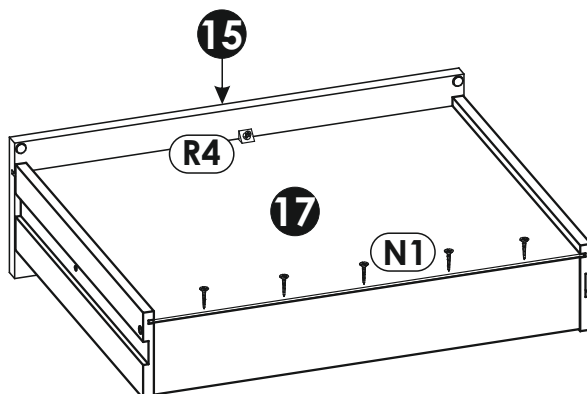
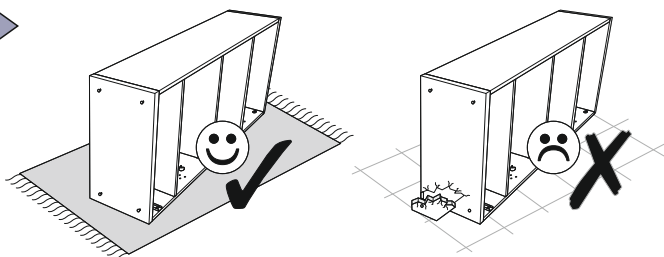
C=D



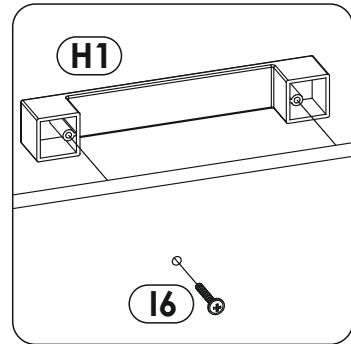
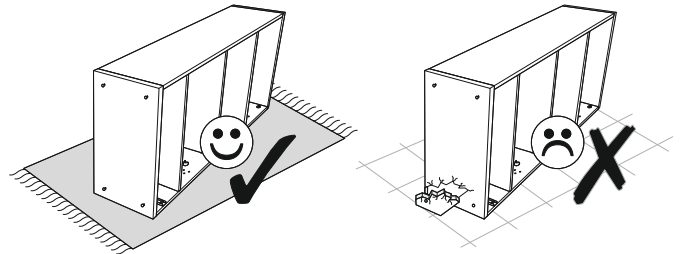
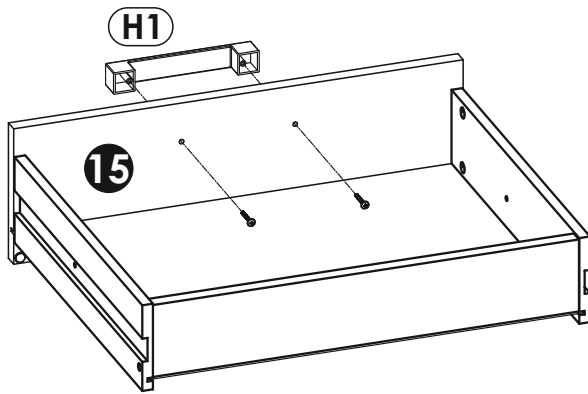
21 ▶



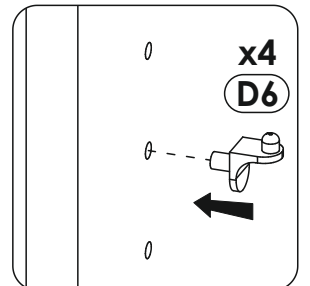
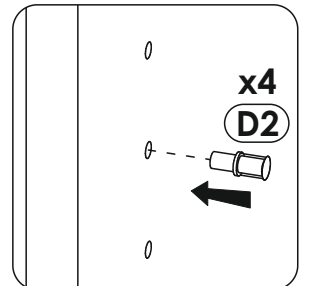
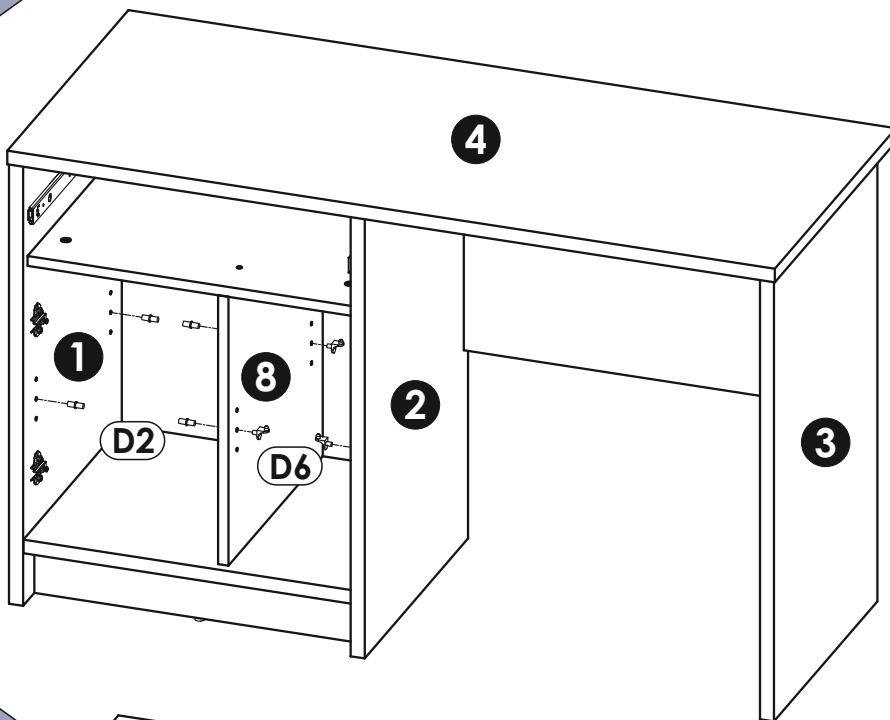
22 ▶



23 ▶



24 ▶



25 ▶

