
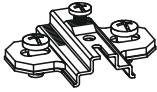
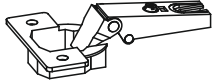

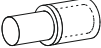









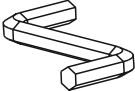

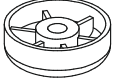




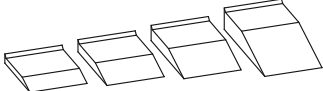
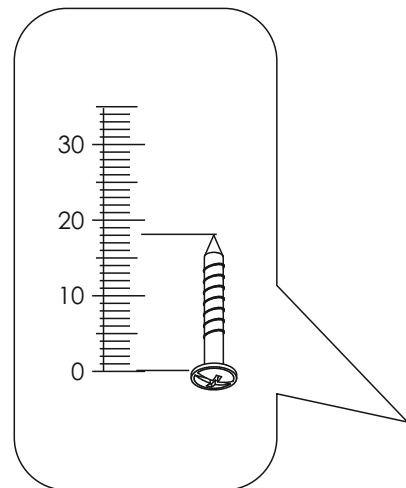
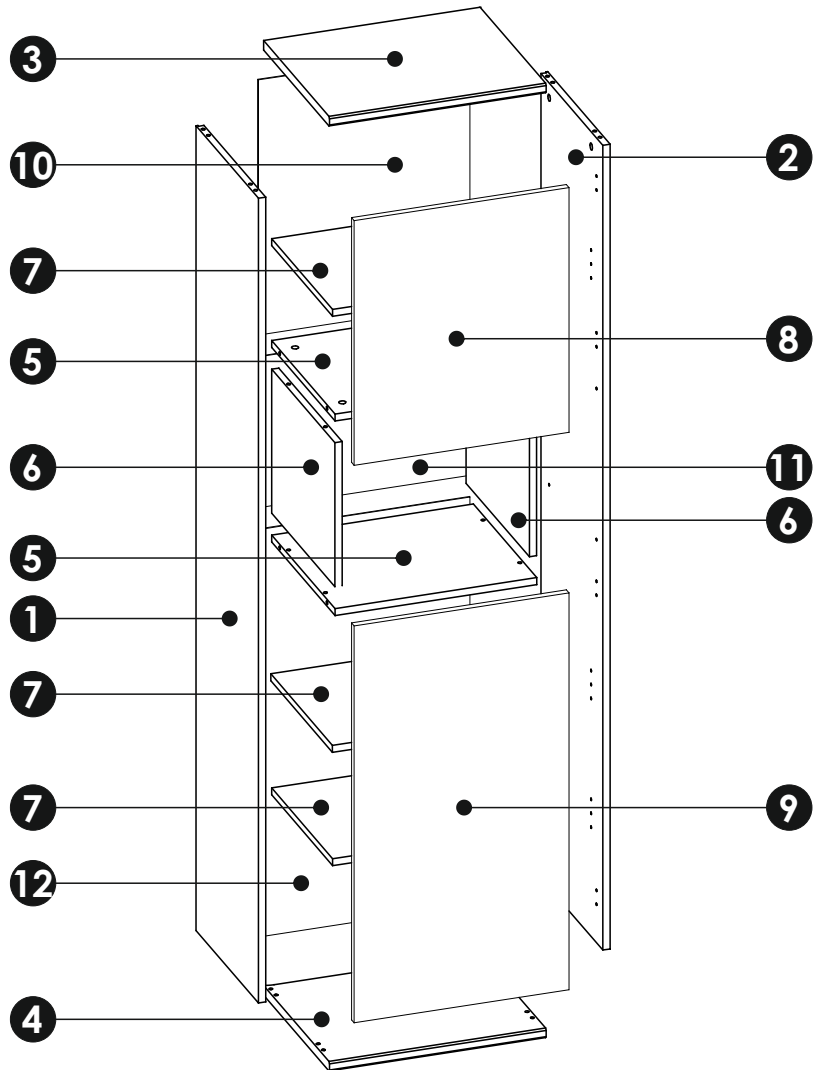
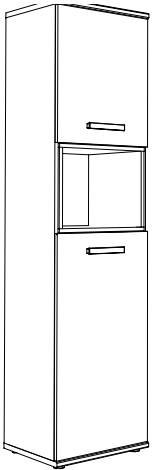


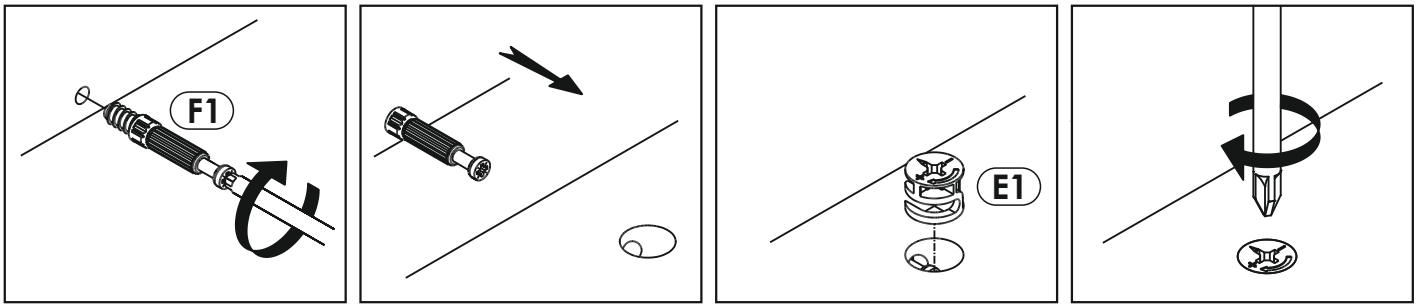
A1 x16 	B0 x4 	B1 x4 
C1 x8 4 x 13 mm 	D2 x12 	E0 x12 
E1 x12 	F1 x12 	G0 x4 
G2 x4 $\phi 7 \times 60$ mm 	H1 x2 	I2 x1 4 x 16 mm 
I10 x4 3,5 x 22 mm 	K3 x4 M4 x 22 mm 	M x1 
N1 x50 3 x 16 mm 	O1 x4 	P0 x12 $\phi 5$ 
Q9 x1 	R1 x4 	R8 x4 
Z x1 		



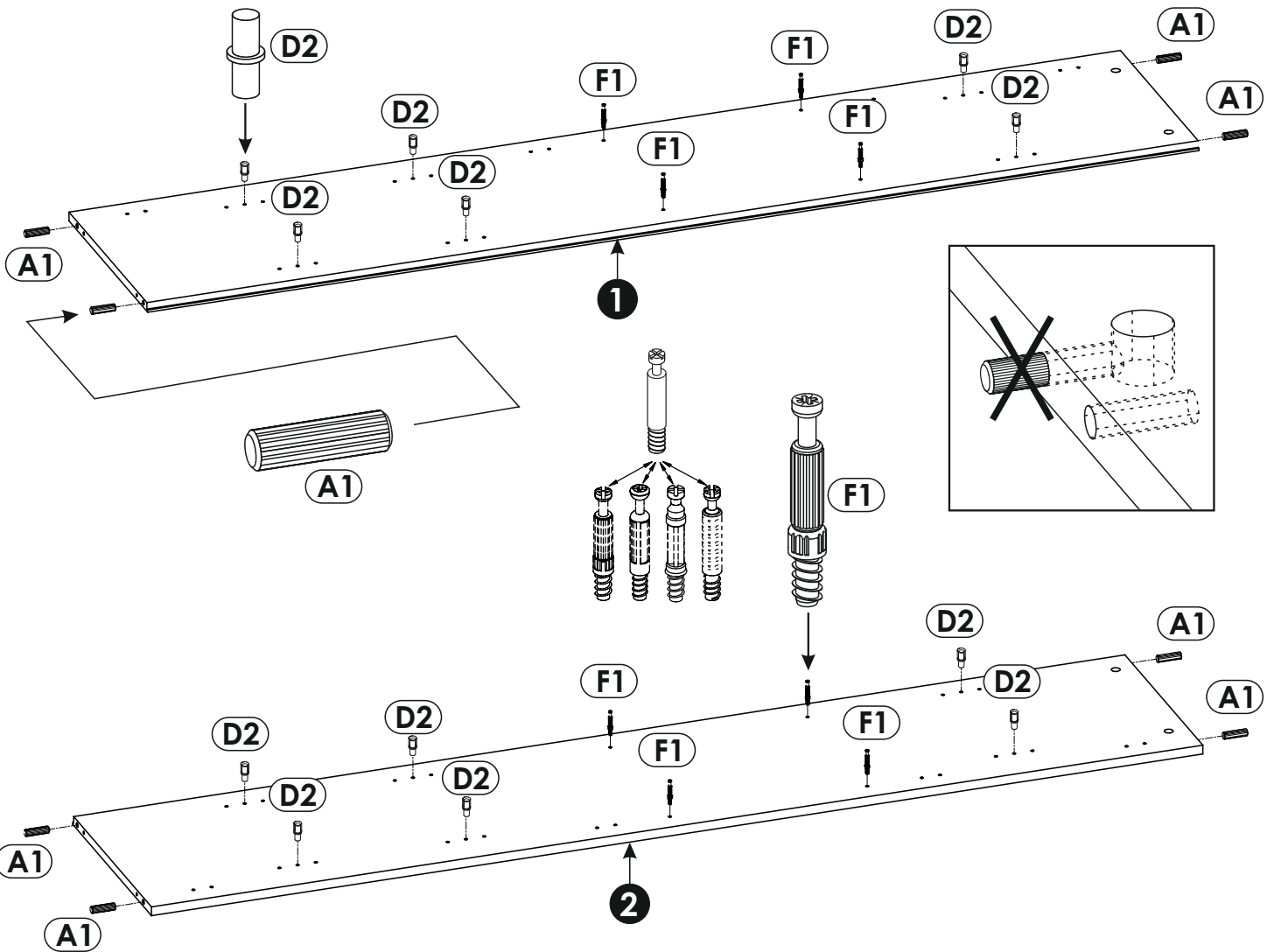
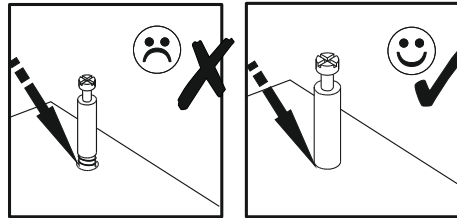


1	1849	380	16	x1	2/2
2	1849	380	16	x1	2/2
3	480	402	22	x1	1/2
4	480	402	22	x1	1/2
5	447	386	16	x2	2/2
6	331	385	16	x2	2/2

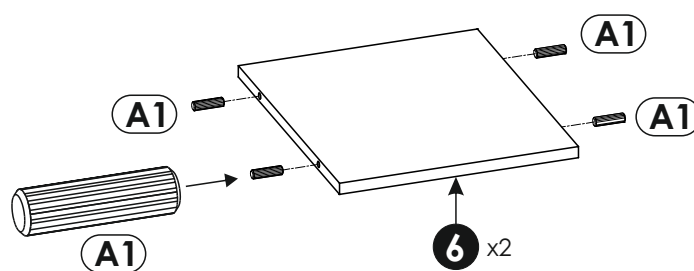
7	447	371	16	x3	2/2
8	562	476	16	x1	1/2
9	912	476	16	x1	1/2
10	587	469	3	x1	1/2
11	469	347	3	x1	1/2
12	937	469	3	x1	1/2



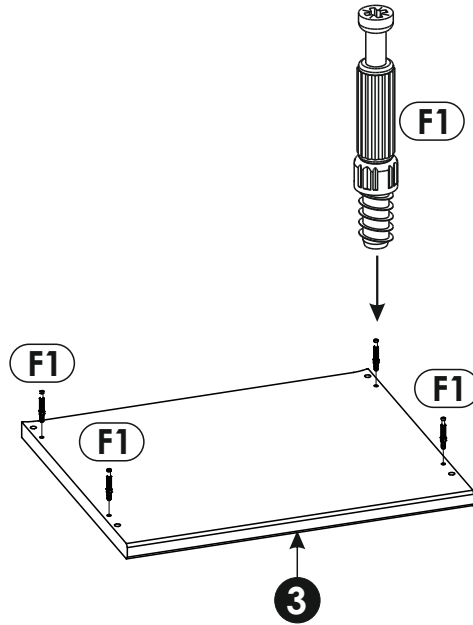
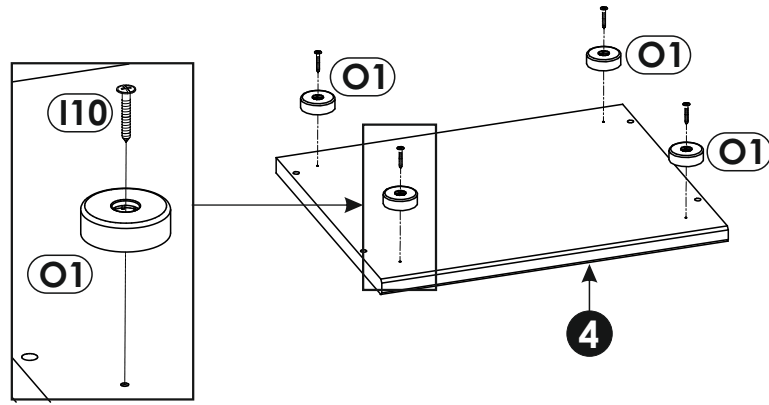
1 ▶



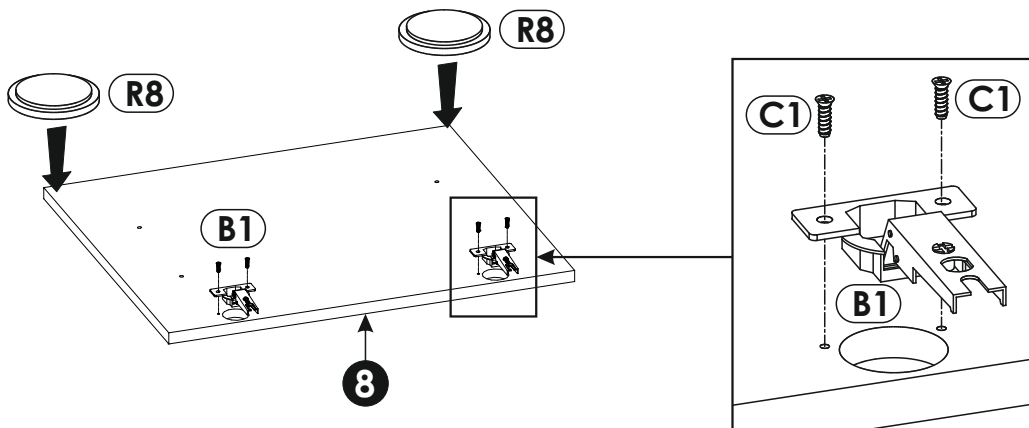
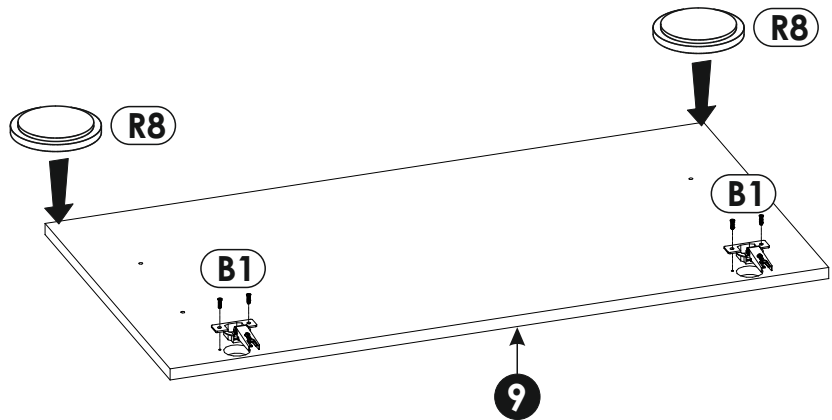
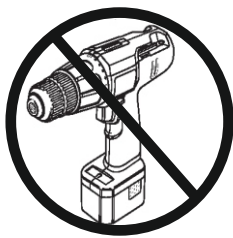
2 ▶



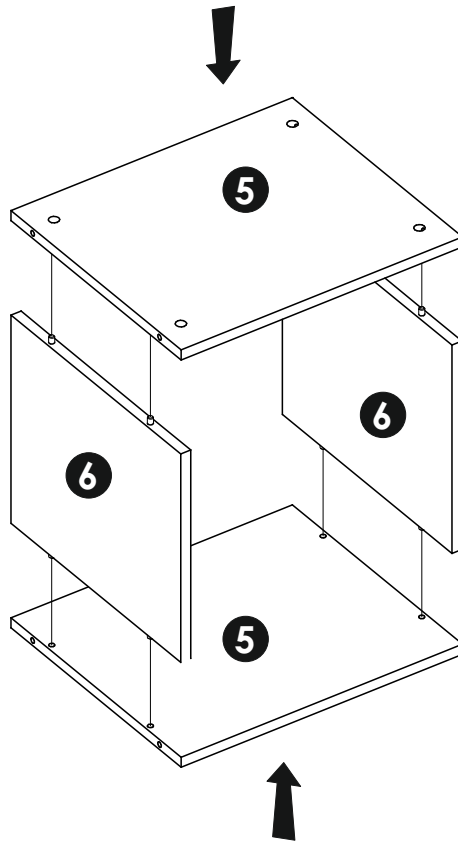
3 ▶



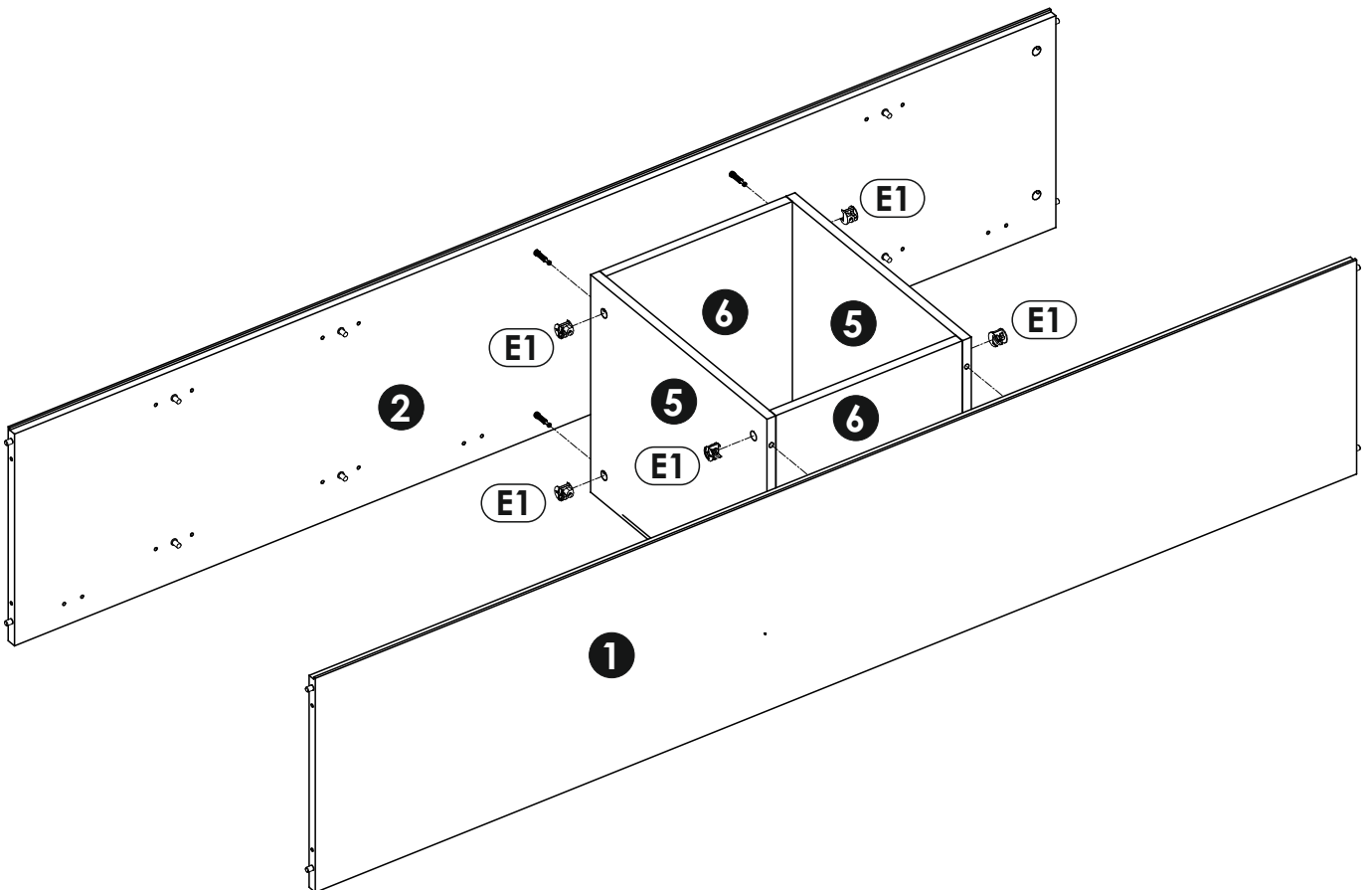
4 ▶



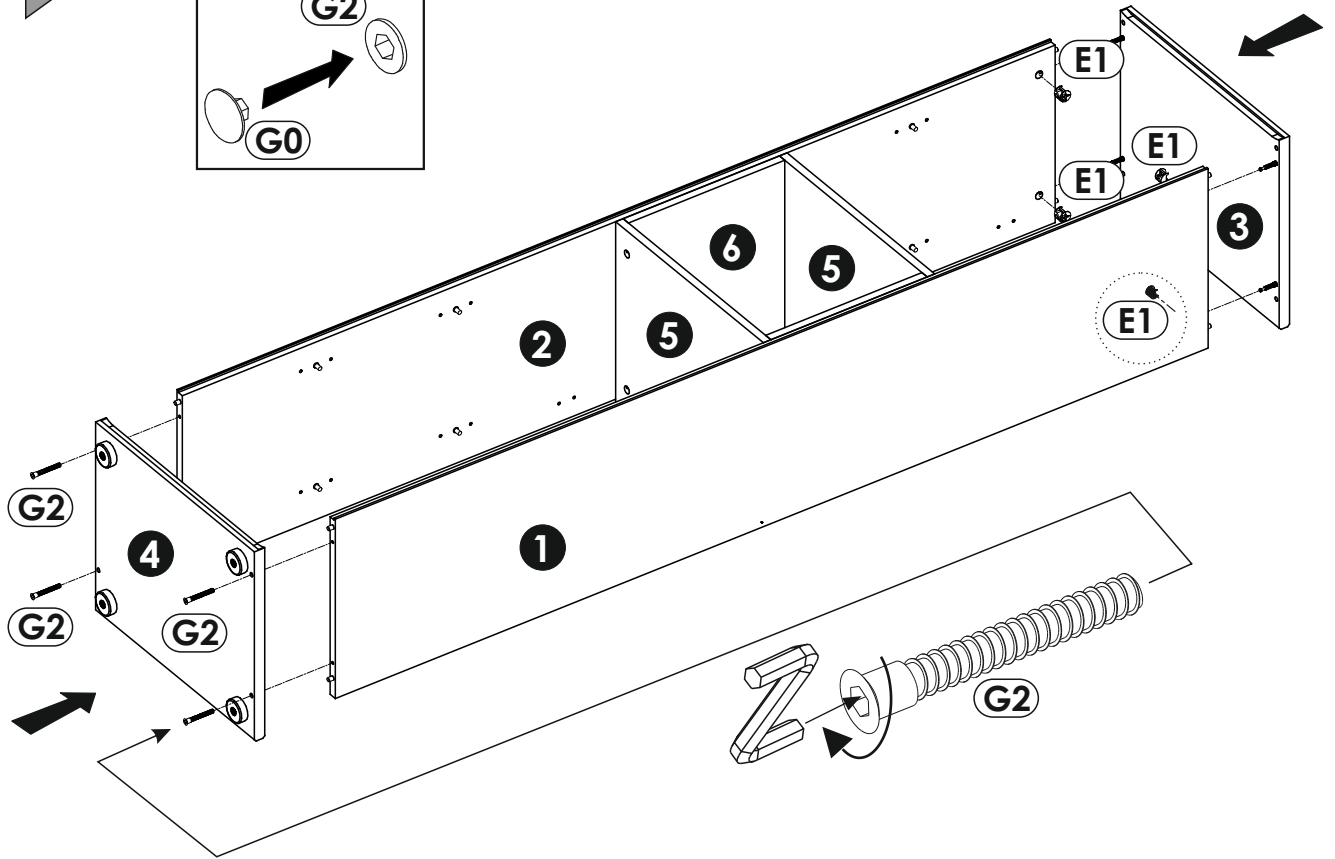
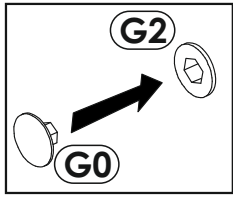
5 ▶



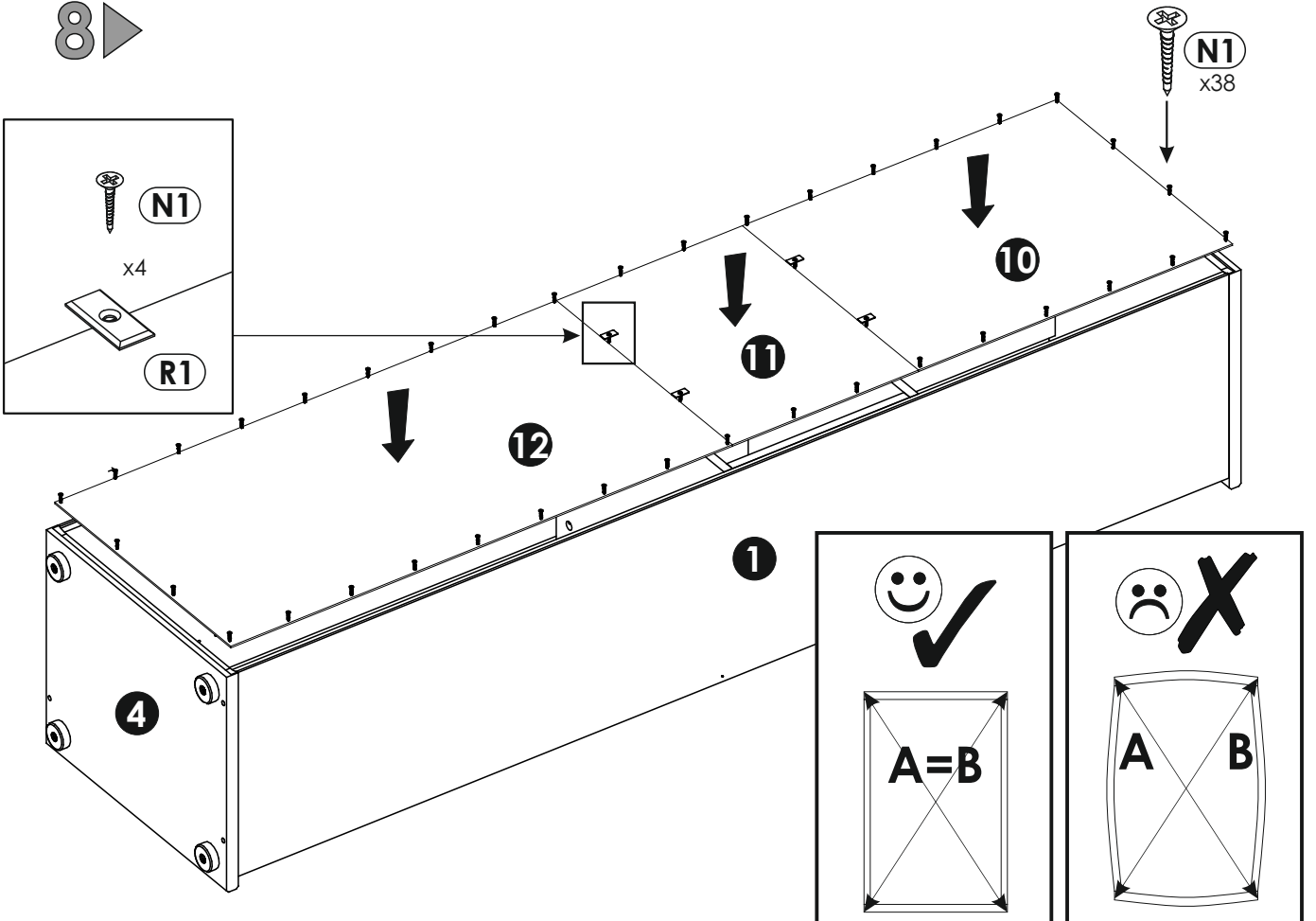
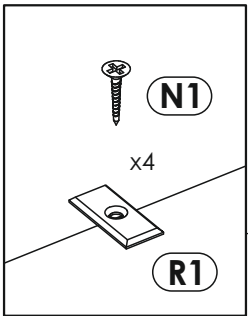
6 ▶



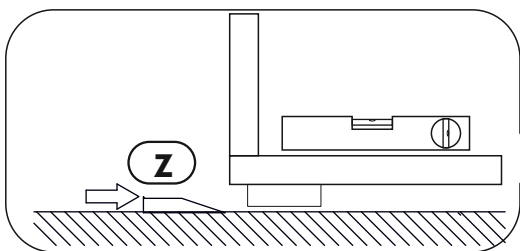
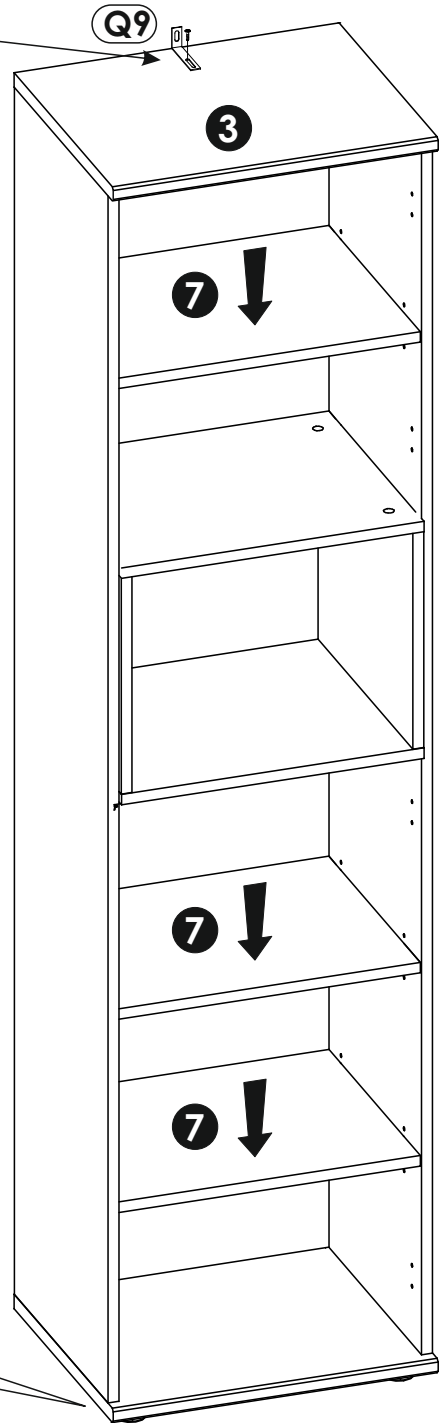
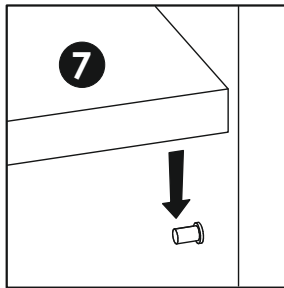
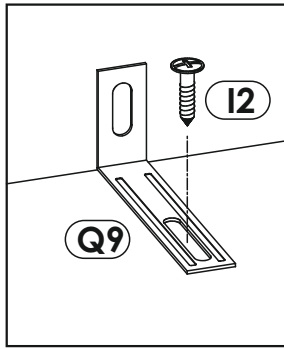
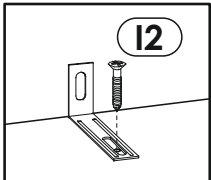
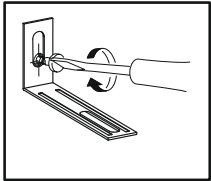
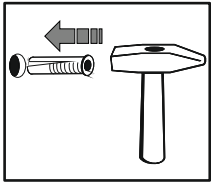
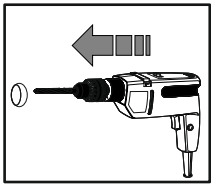
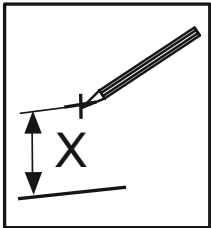
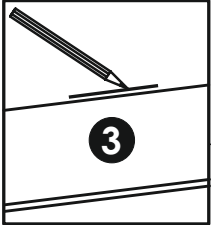
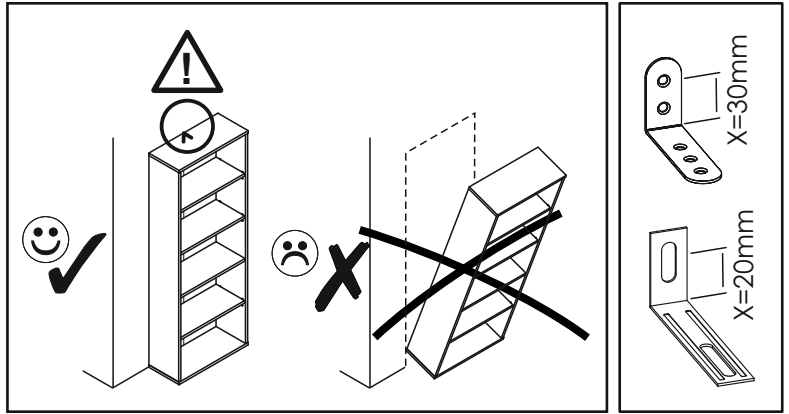
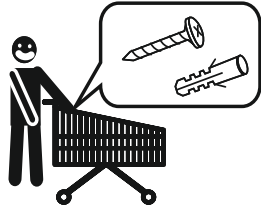
7 ▶



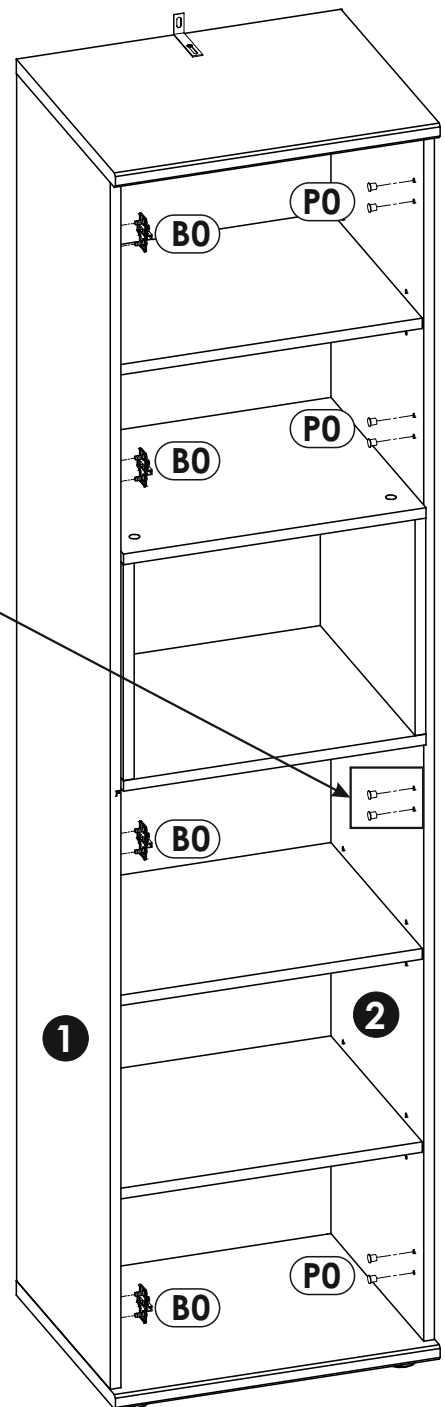
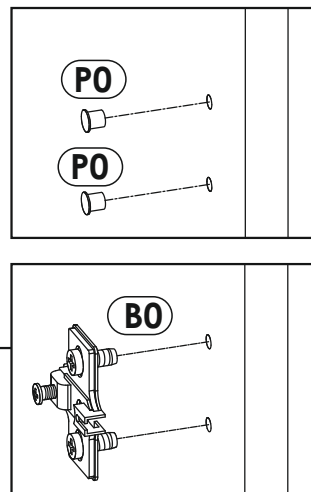
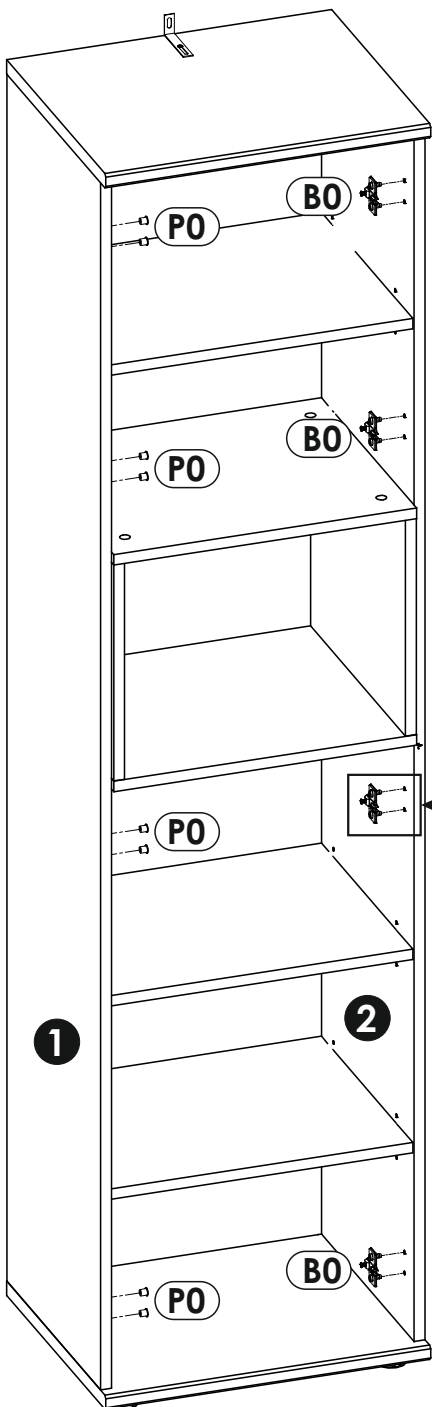
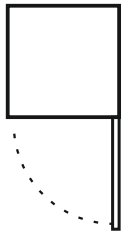
8 ▶



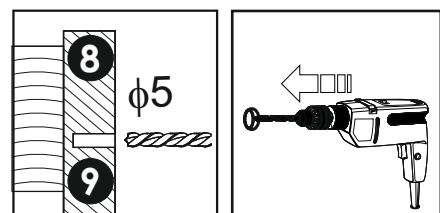
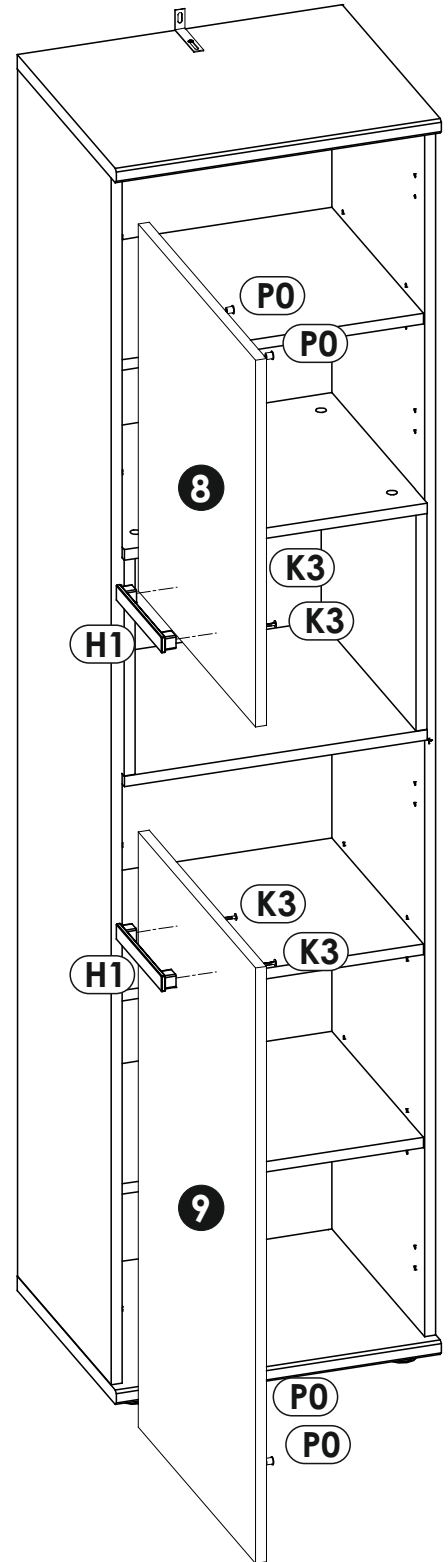
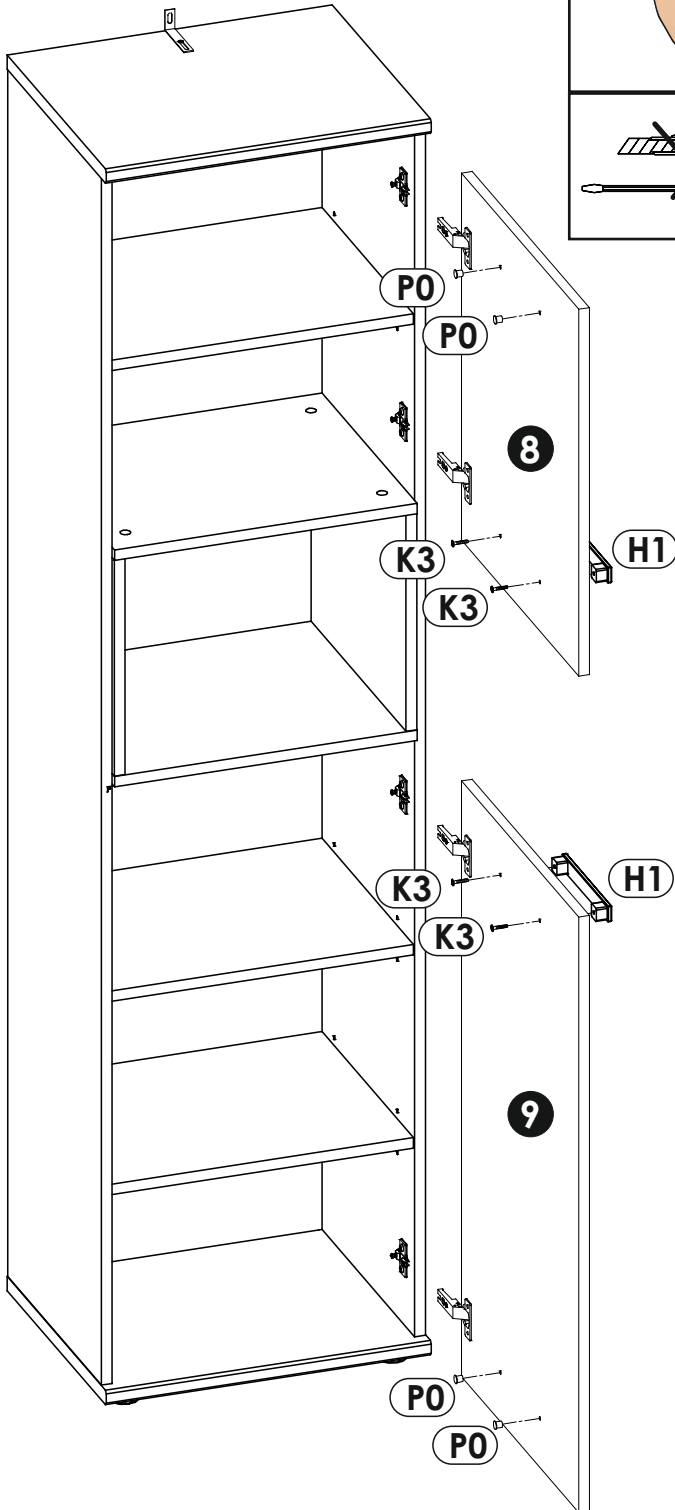
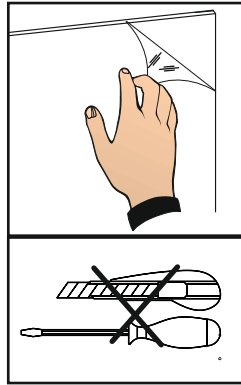
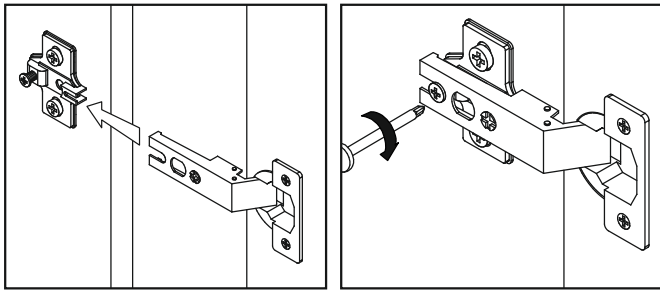
9 ▶



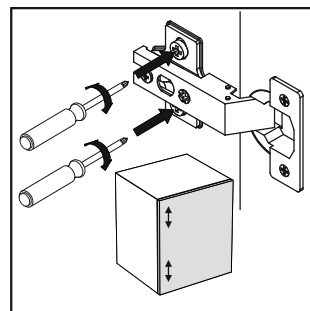
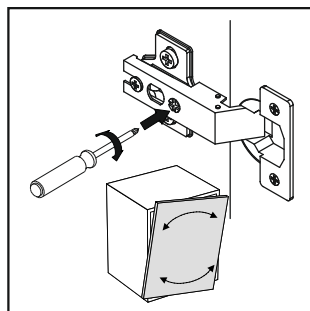
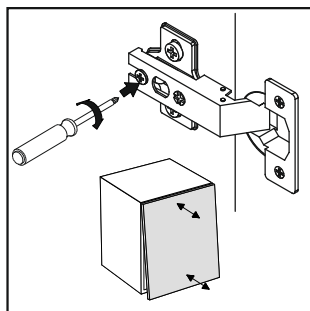
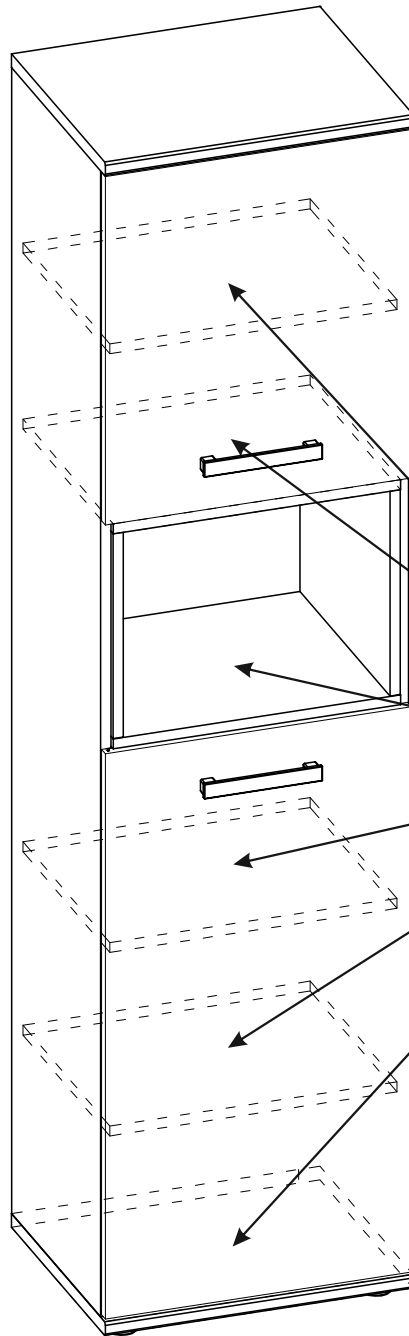
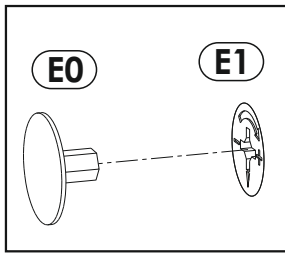
10 ▶

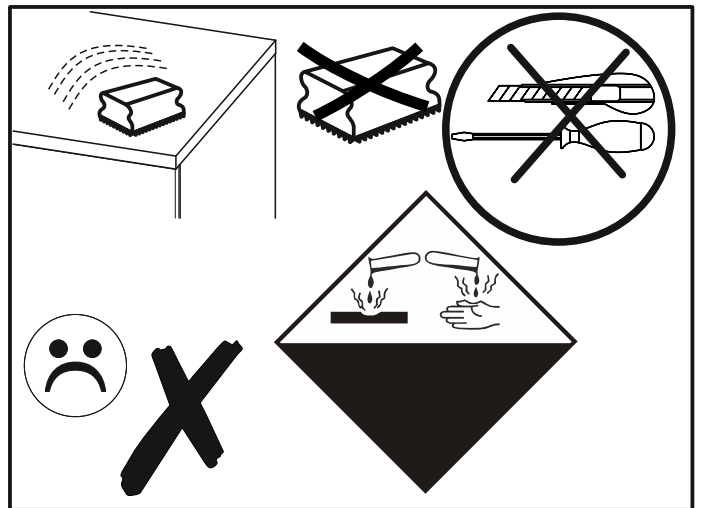
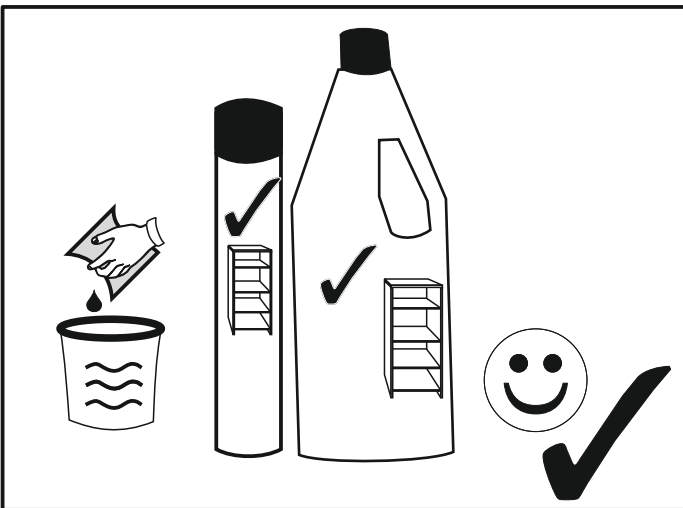
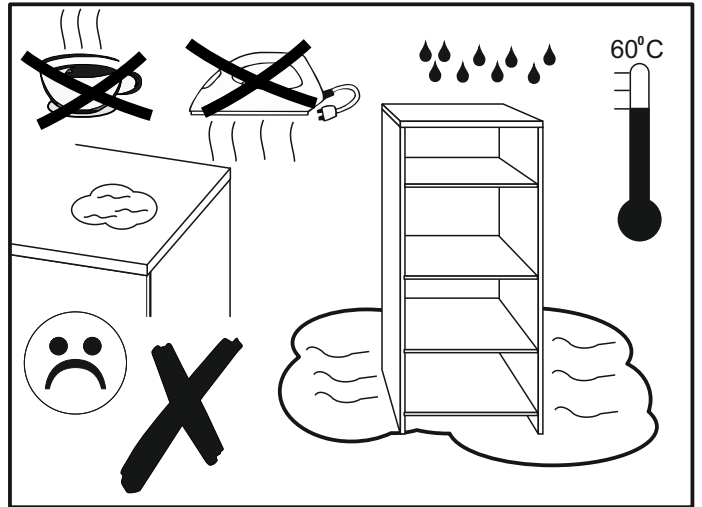
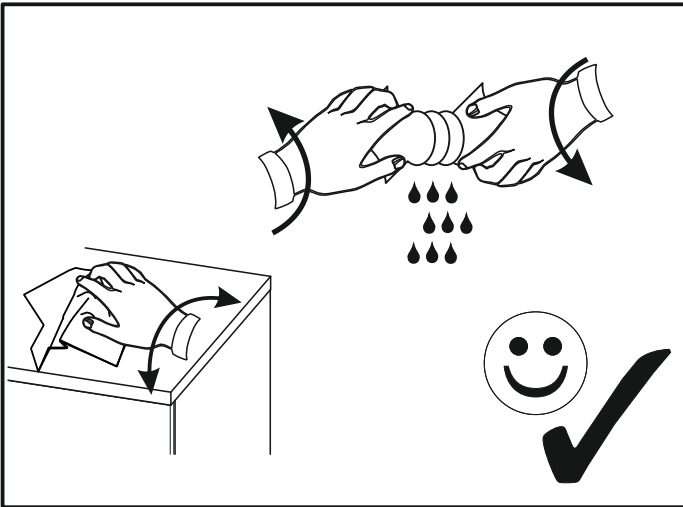
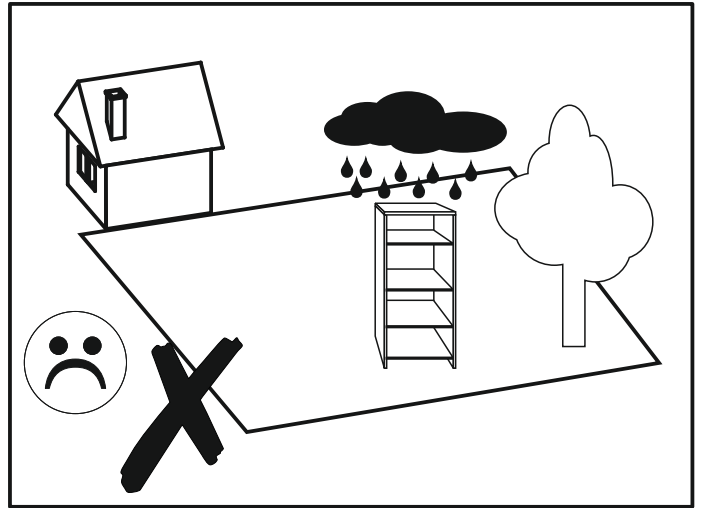
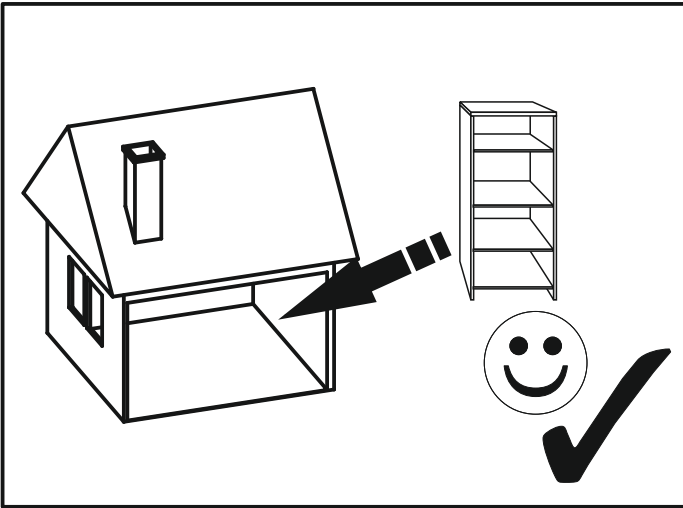


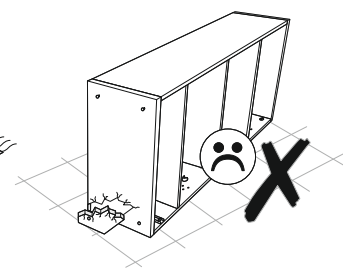
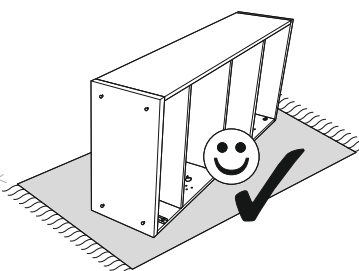
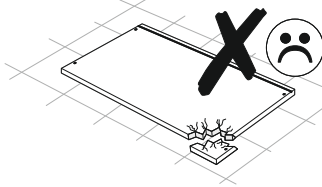
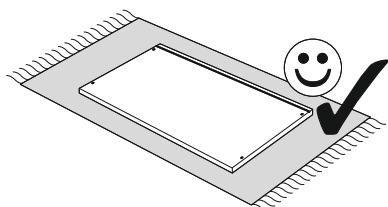
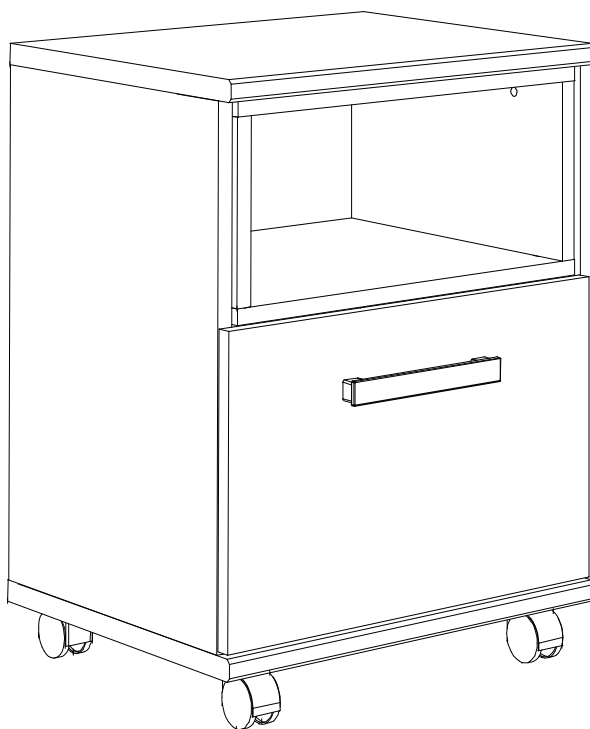
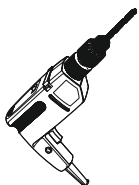
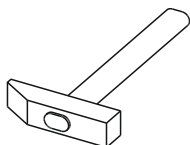
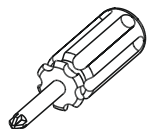
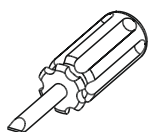
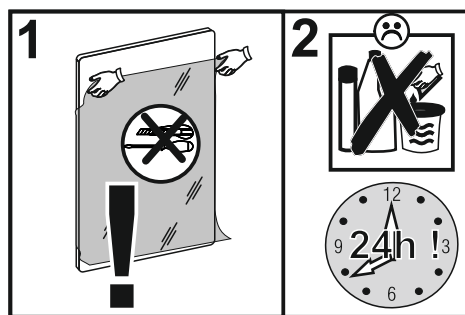
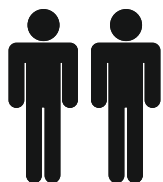
11 ▶

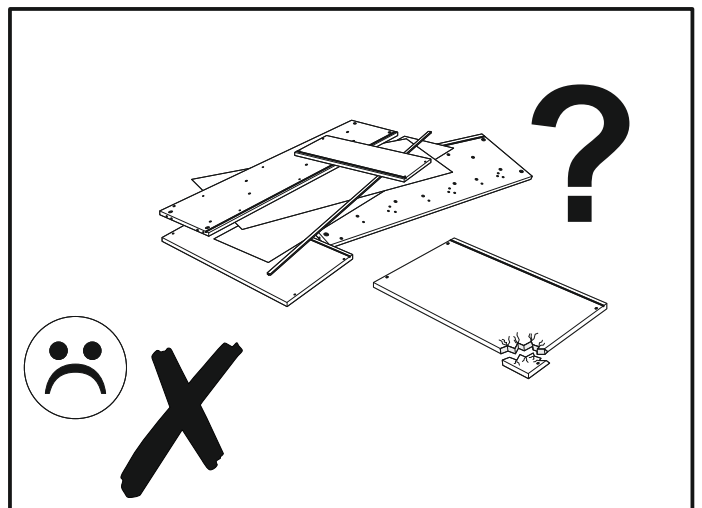
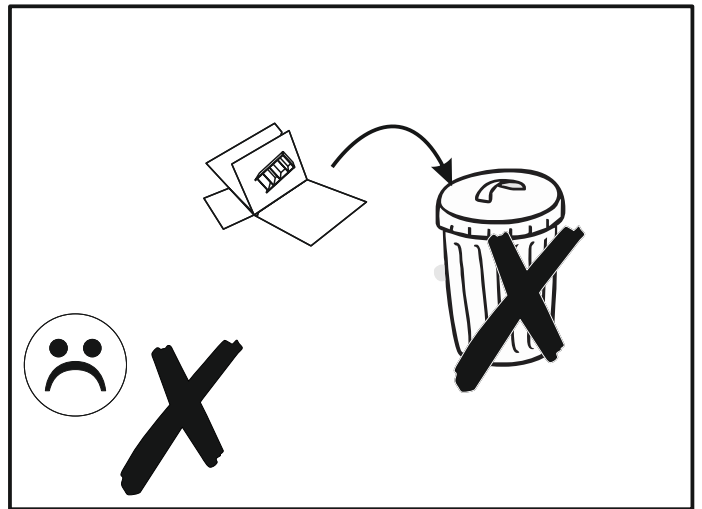
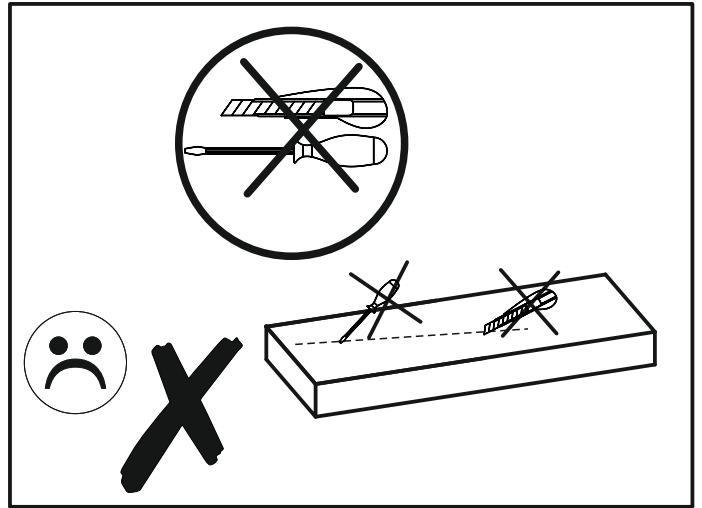



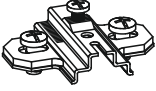


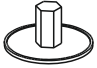







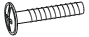
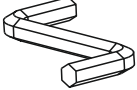

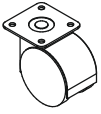
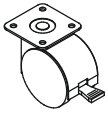



12▶

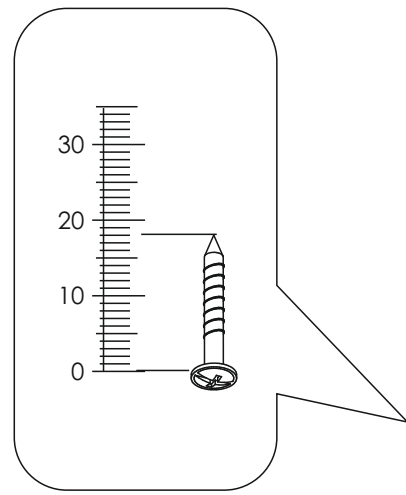
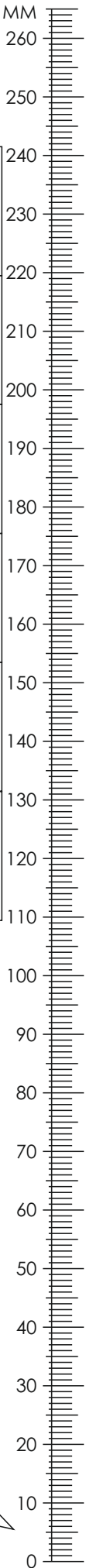


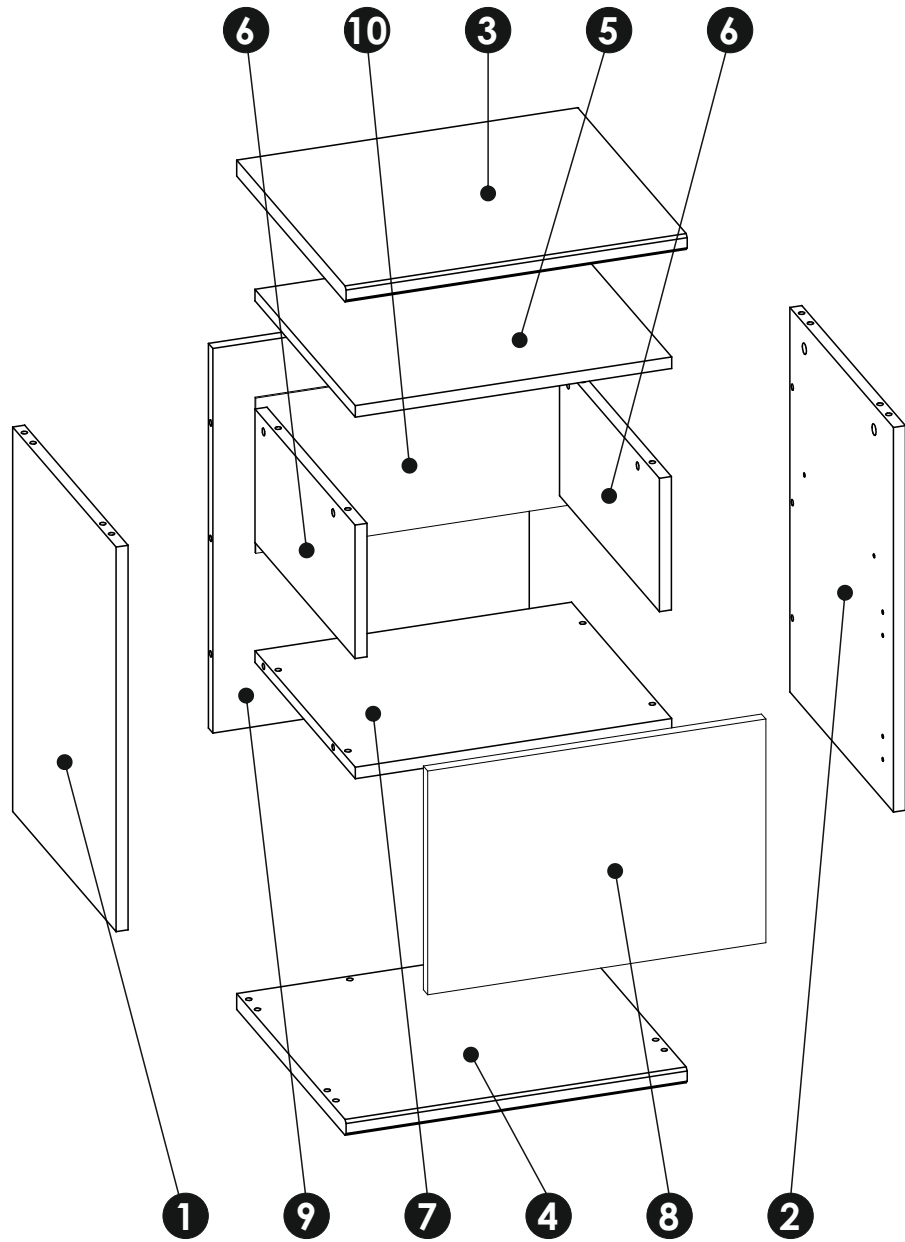
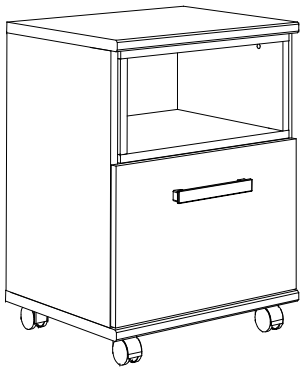






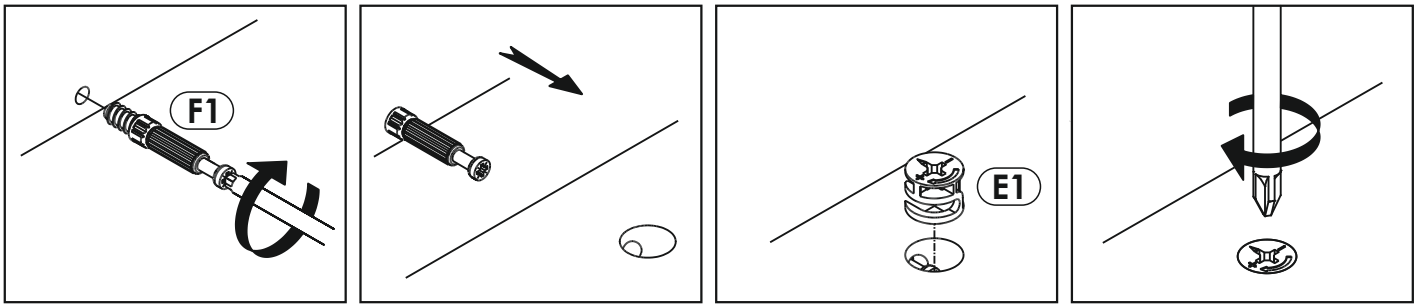
A1 x26 $\varnothing 8 \times 35$ mm 	B0 x2 	B1 x2 
C1 x4 EURO 4 x 13 mm 	E0 x4 	E1 x8 $\varnothing 15 \times 12$ mm 
F1 x8 	G0 x6 	G1 x4 $\varnothing 7 \times 50$ mm 
G2 x4 $\varnothing 7 \times 60$ mm 	H1 x1 	I2 x16 4 x 16 mm 
K3 x2 M4 x 22 mm 	M x1 	N1 x10 3 x 16 mm 
O14 x2 	O16 x2 	P0 x6 $\varnothing 5$ 
P14 x4 $\varnothing 10$ 	R8 x2 	



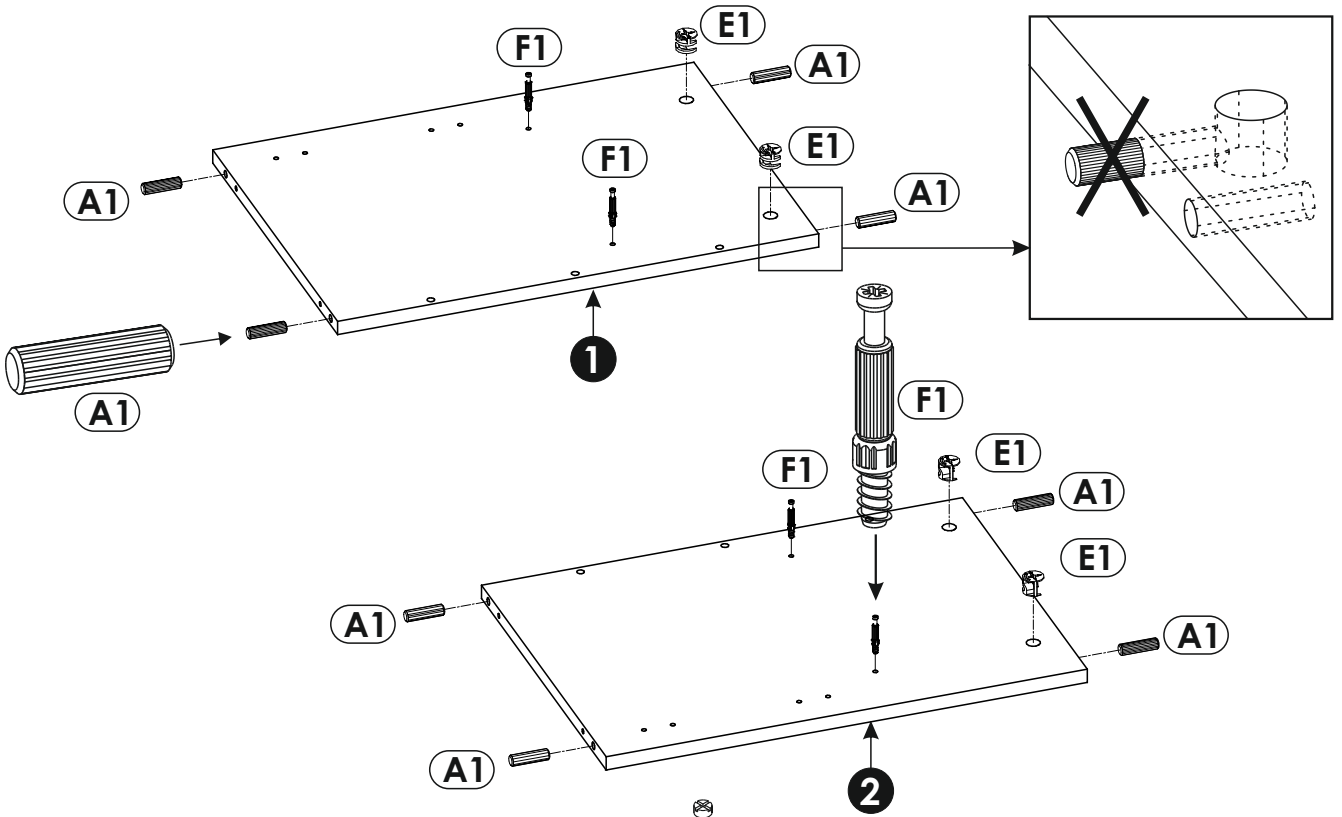


1	533	434	16	x1	1/1
2	533	434	16	x1	1/1
3	456	456	22	x1	1/1
4	456	456	22	x1	1/1
5	423	422	16	x1	1/1

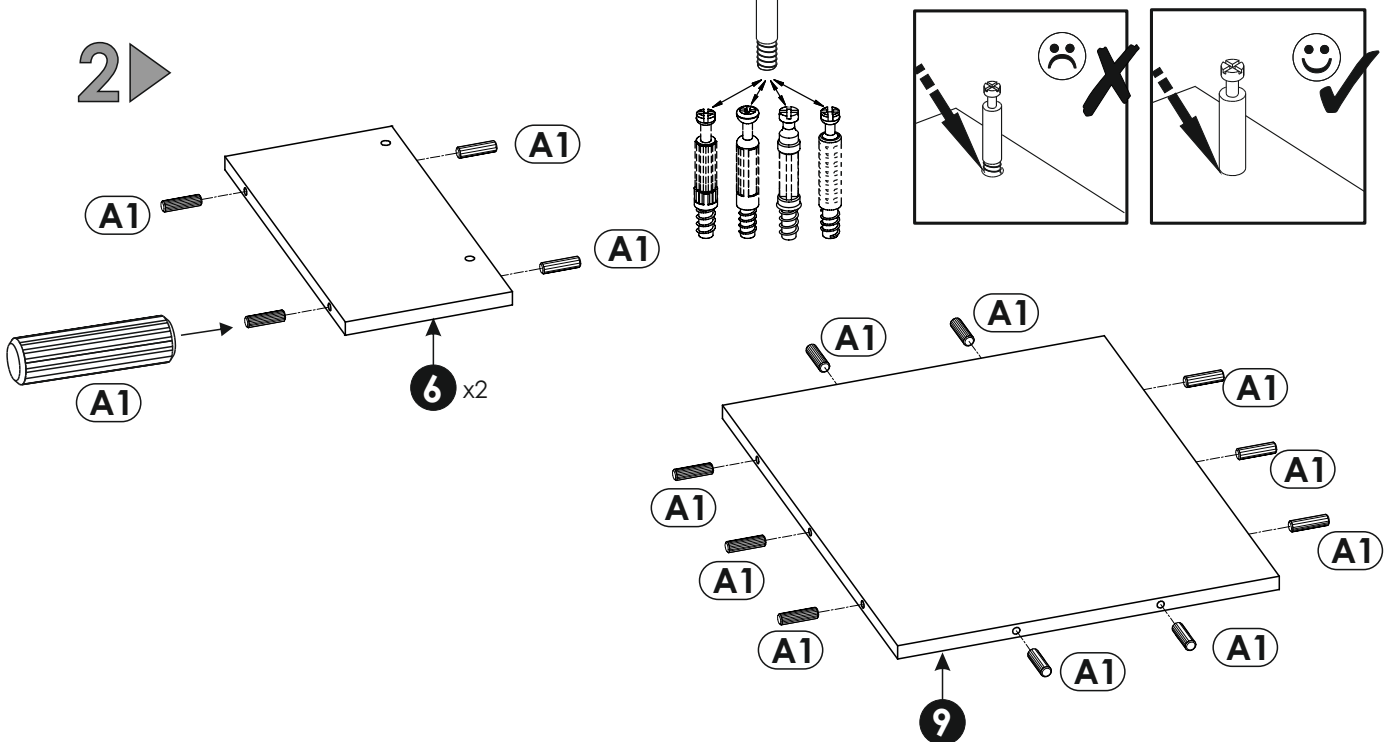
6	185	421	16	x2	1/1
7	423	422	16	x1	1/1
8	452	310	16	x1	1/1
9	423	533	16	x1	1/1
10	421	215	3	x1	1/1



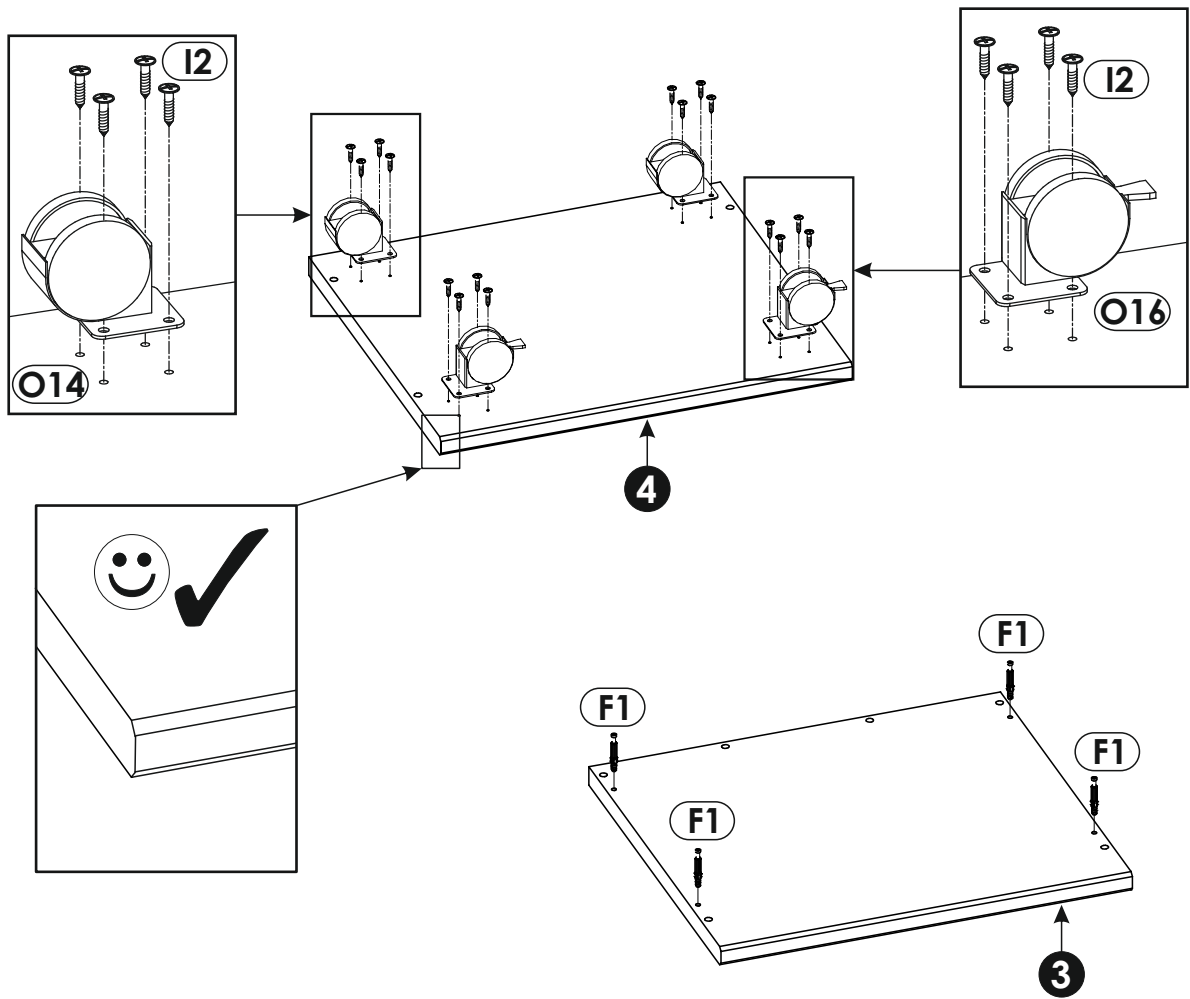
1 ▶



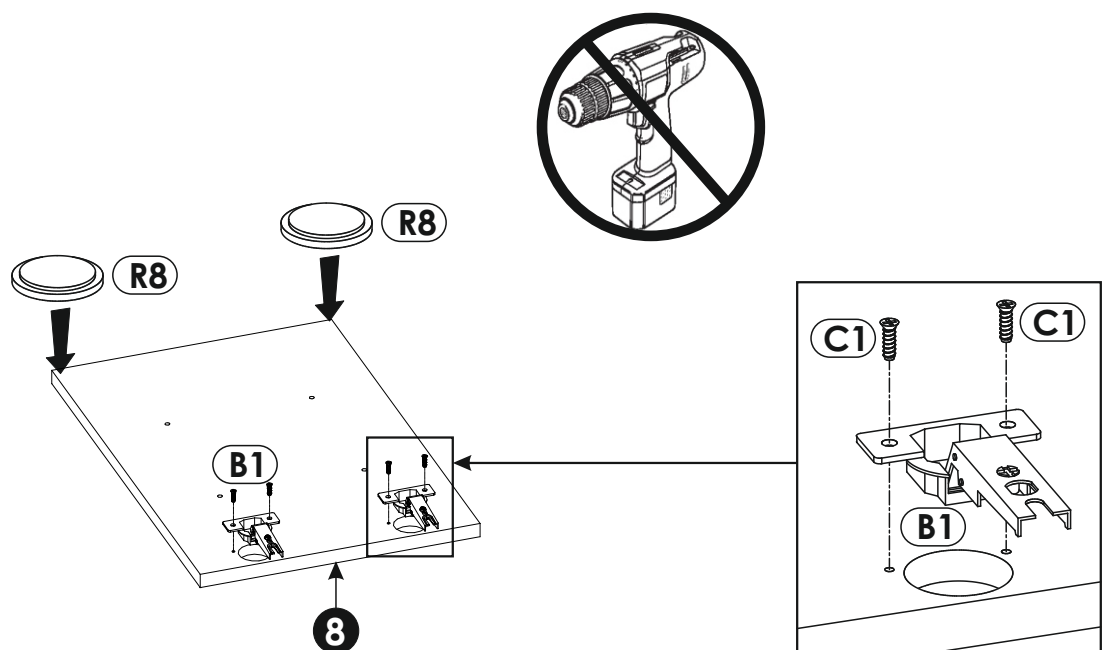
2 ▶



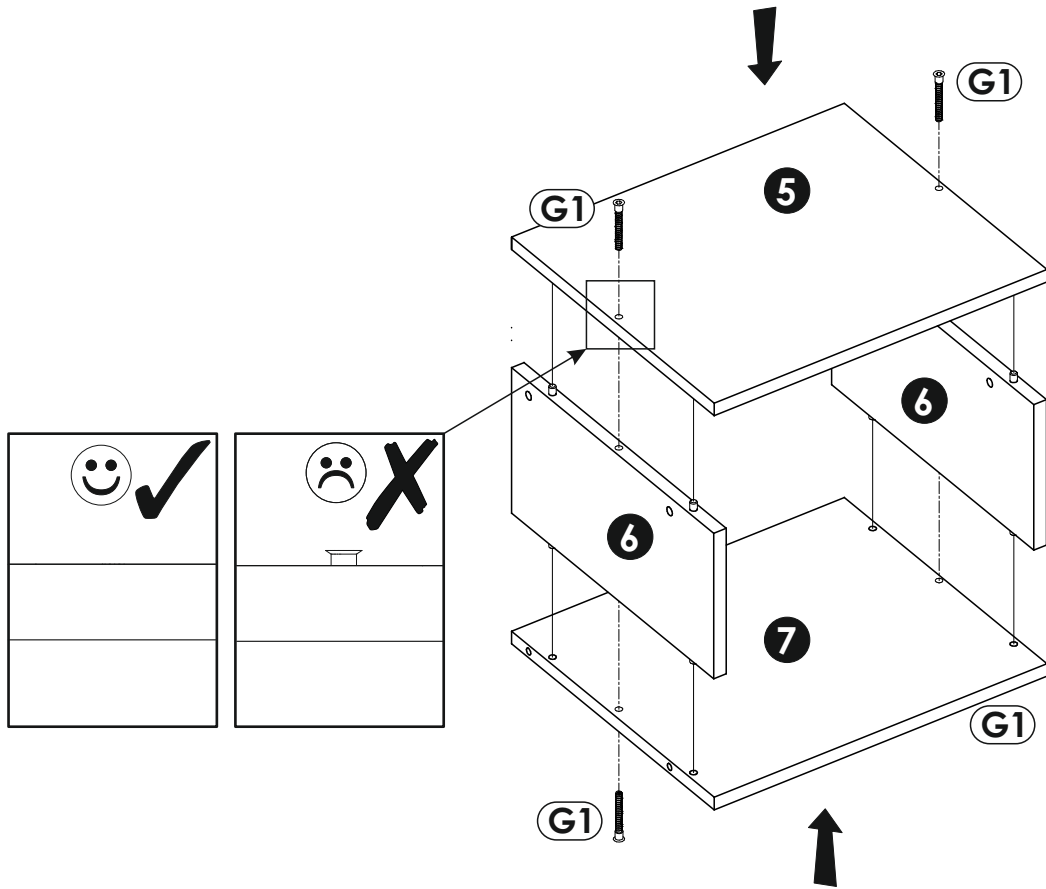
3 ▶



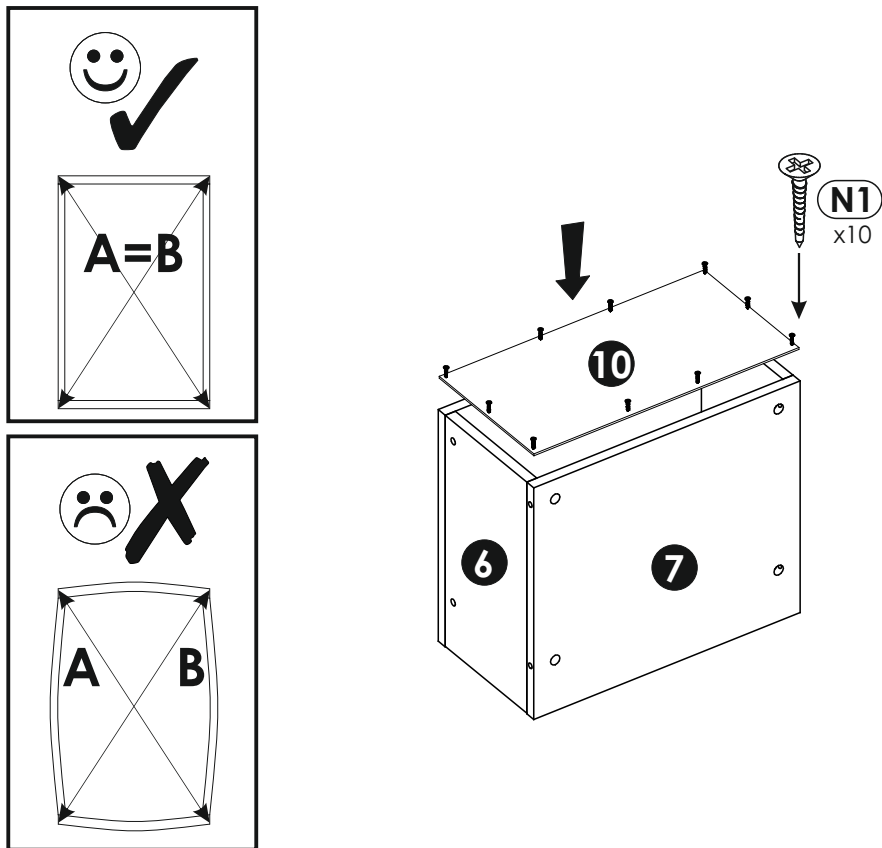
4 ▶



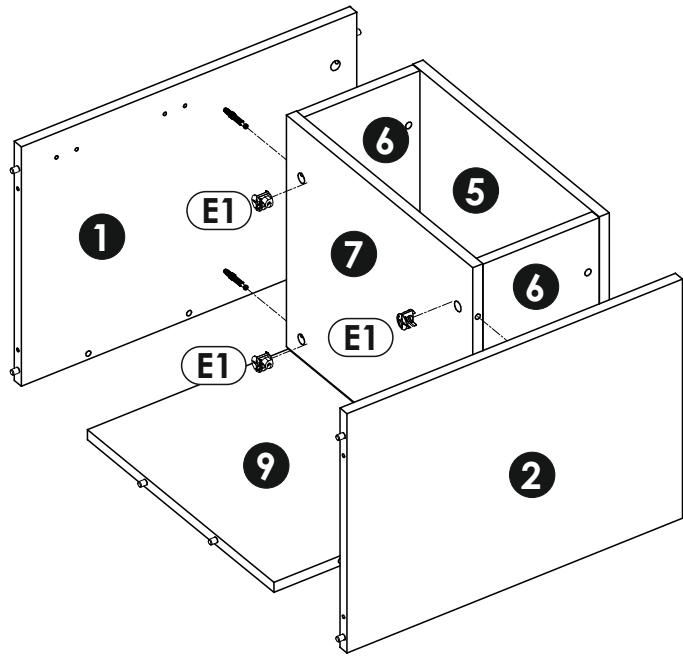
5 ▶



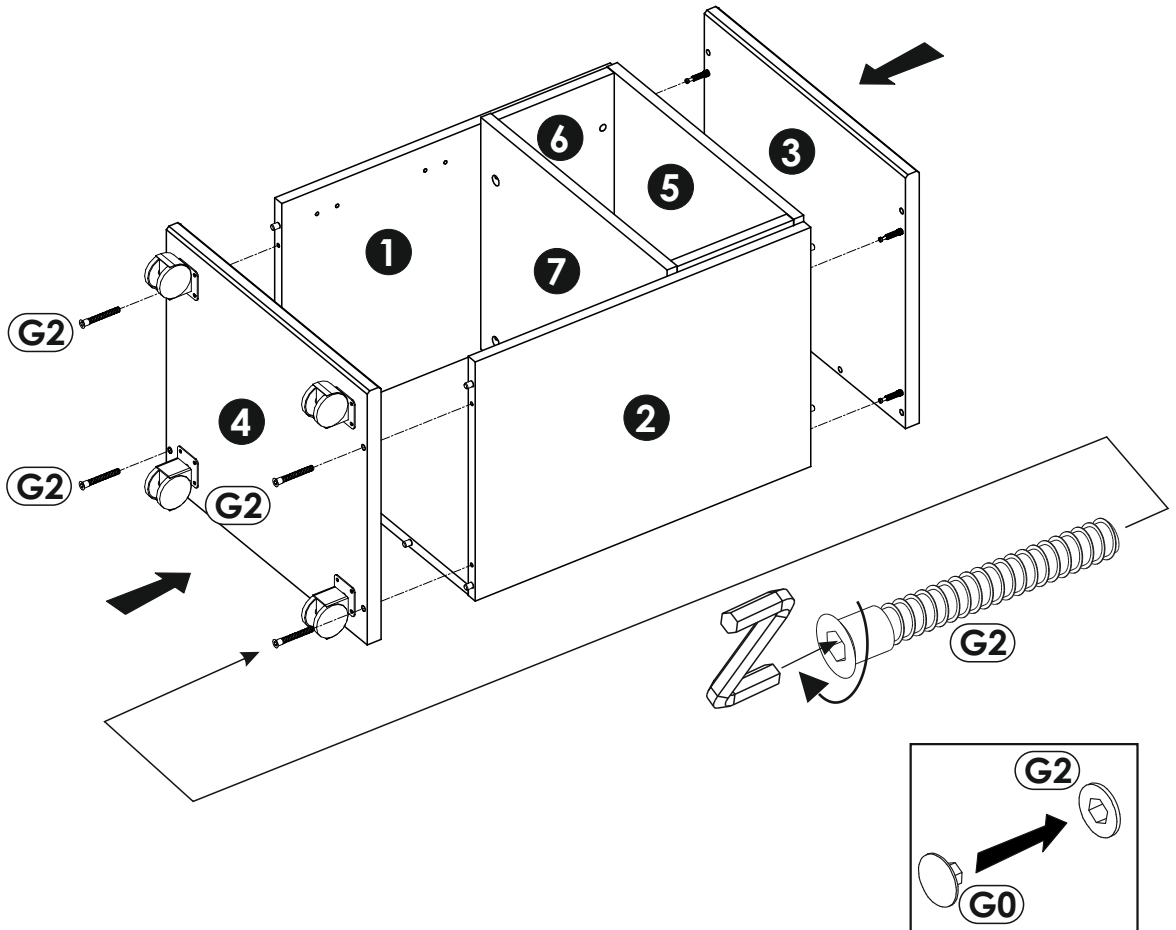
6 ▶

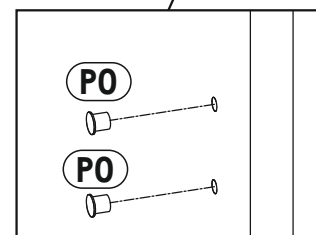
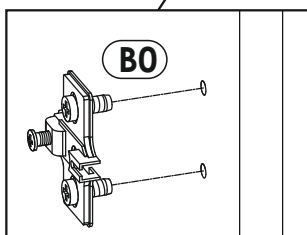
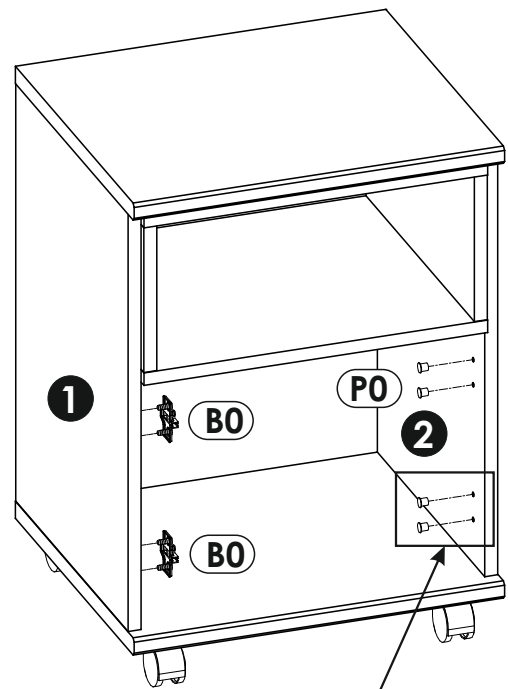
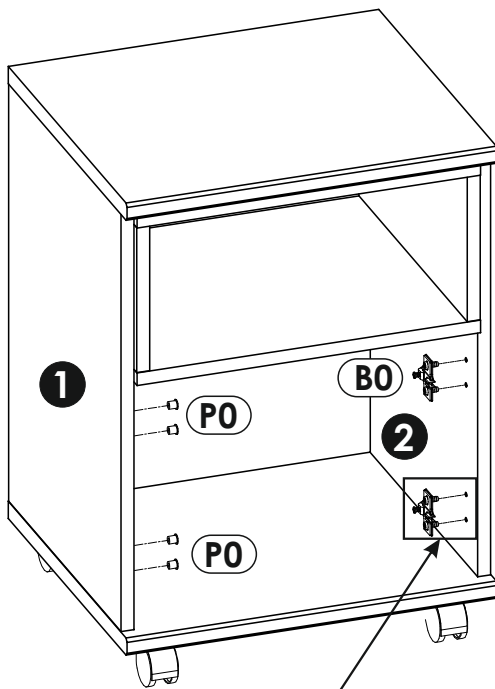
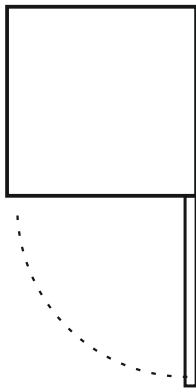


7 ▶

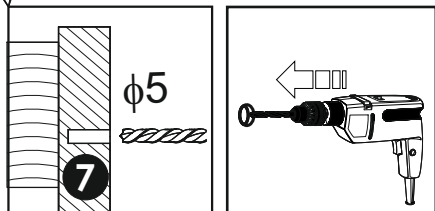
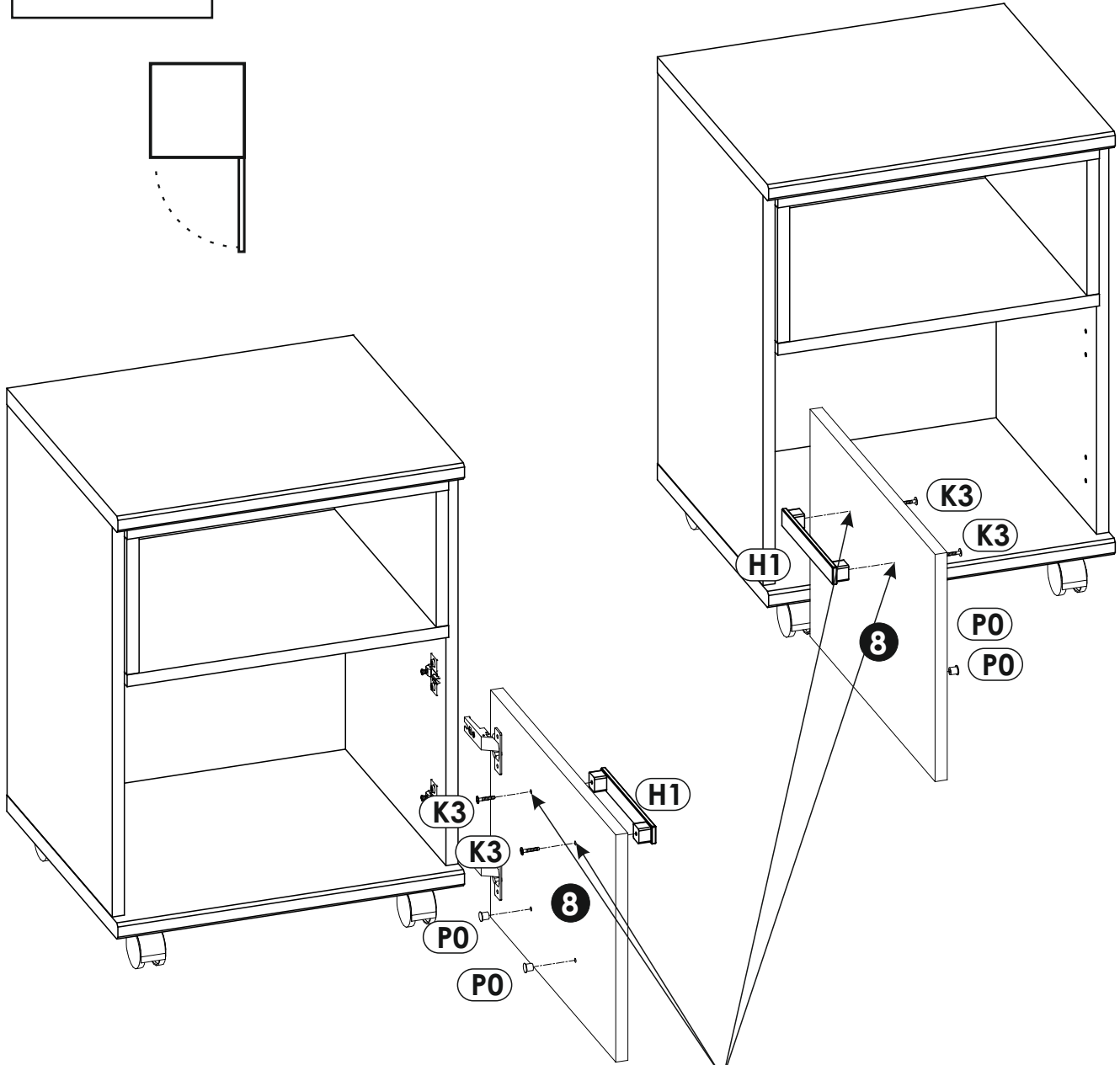
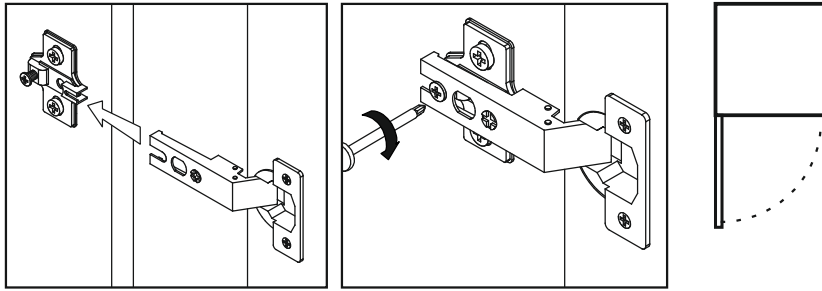
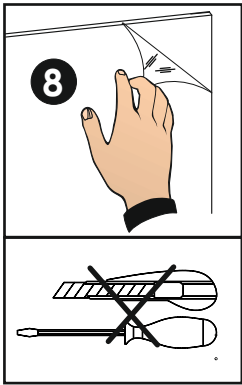


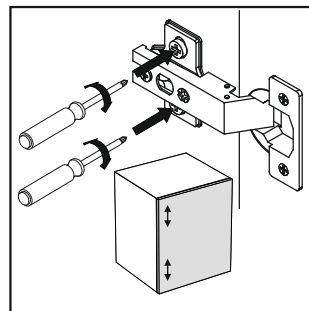
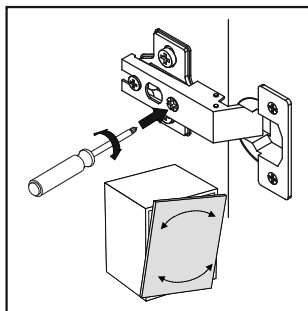
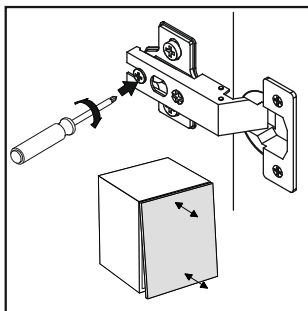
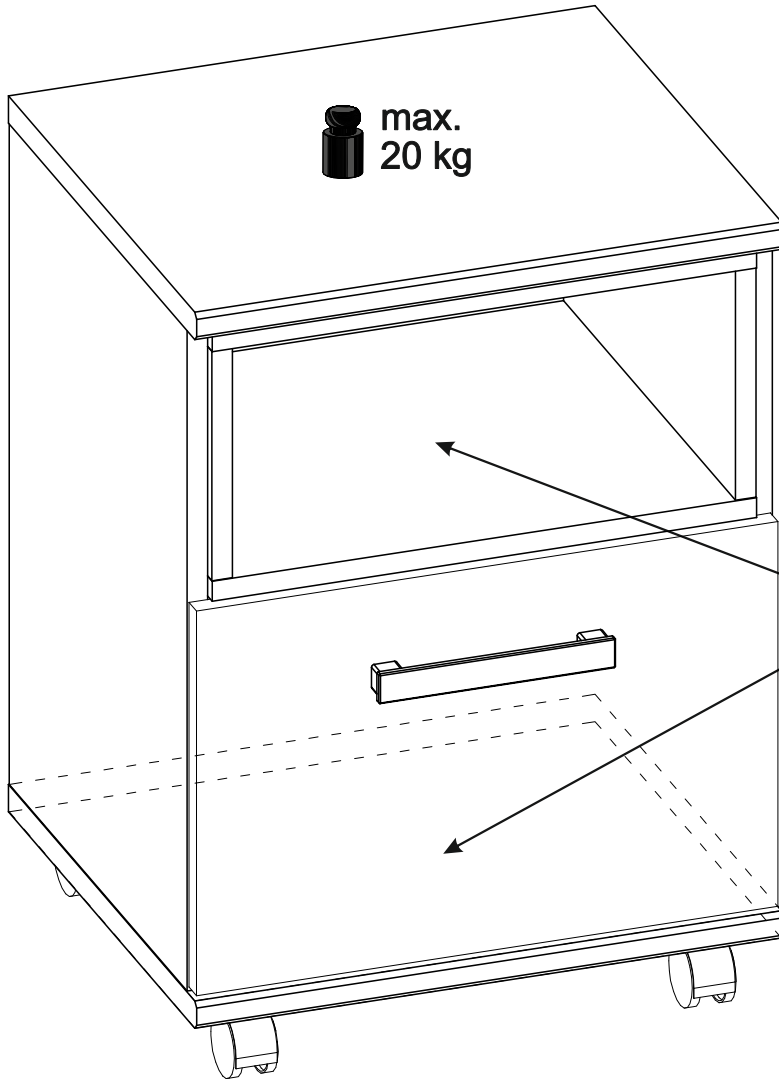
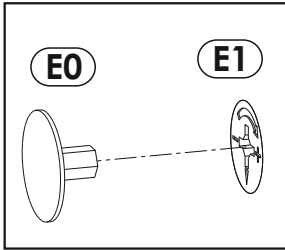
8 ▶

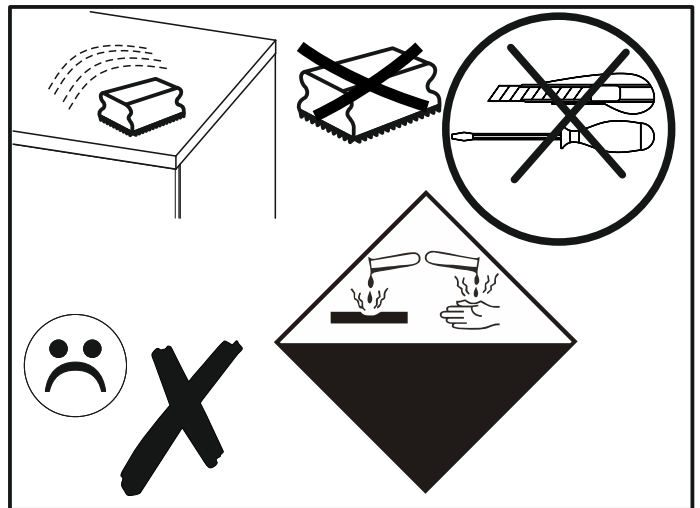
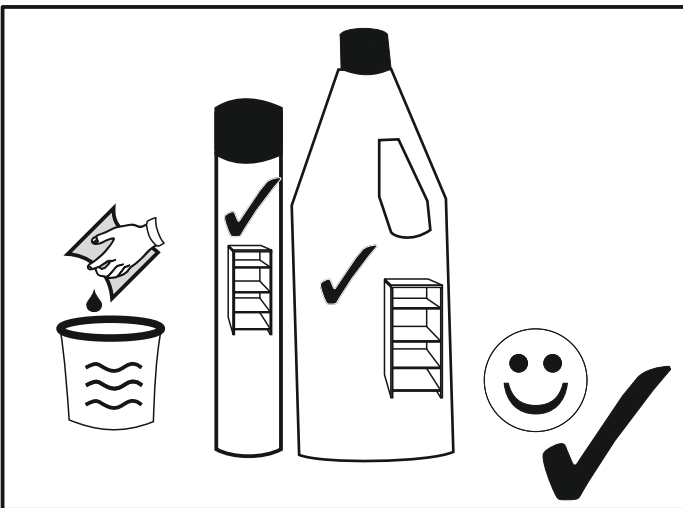
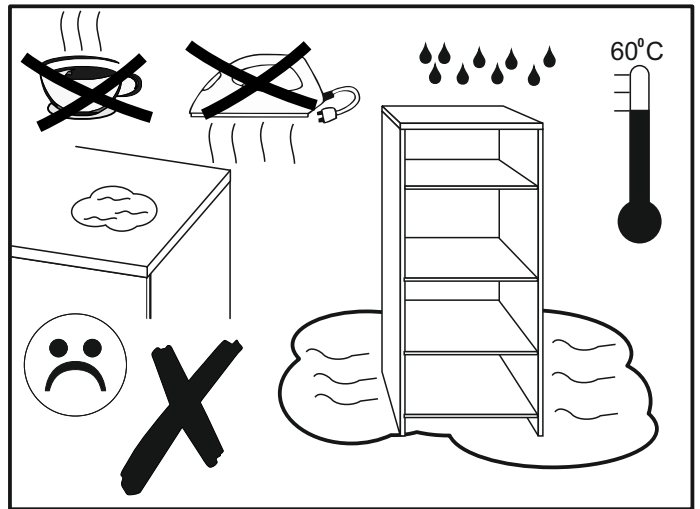
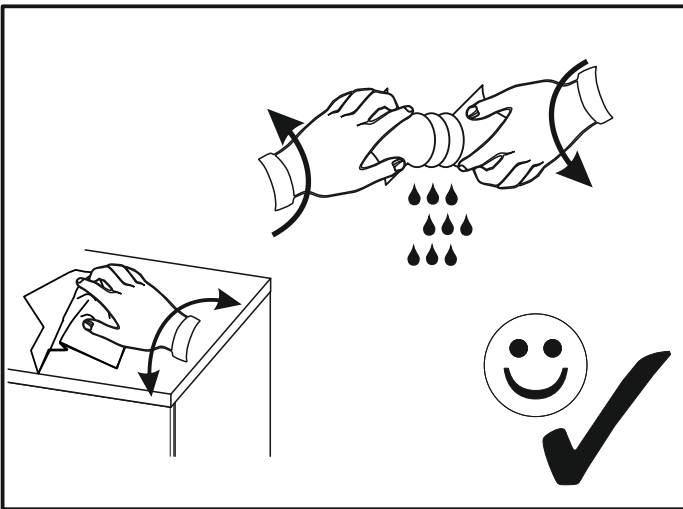
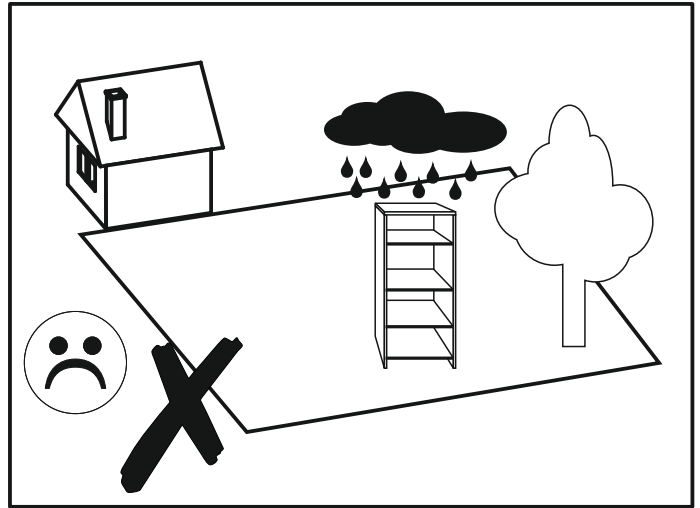
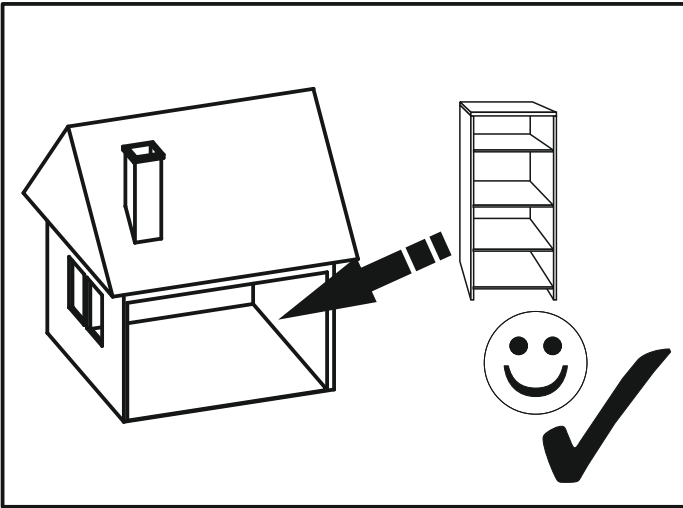


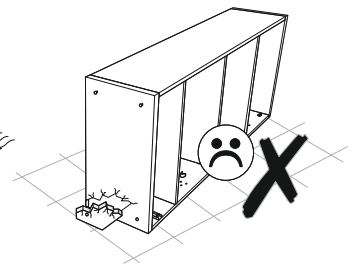
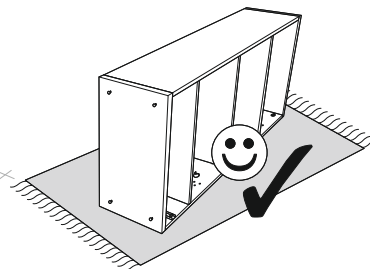
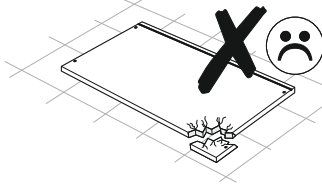
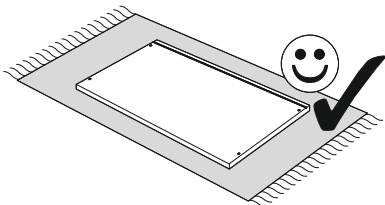
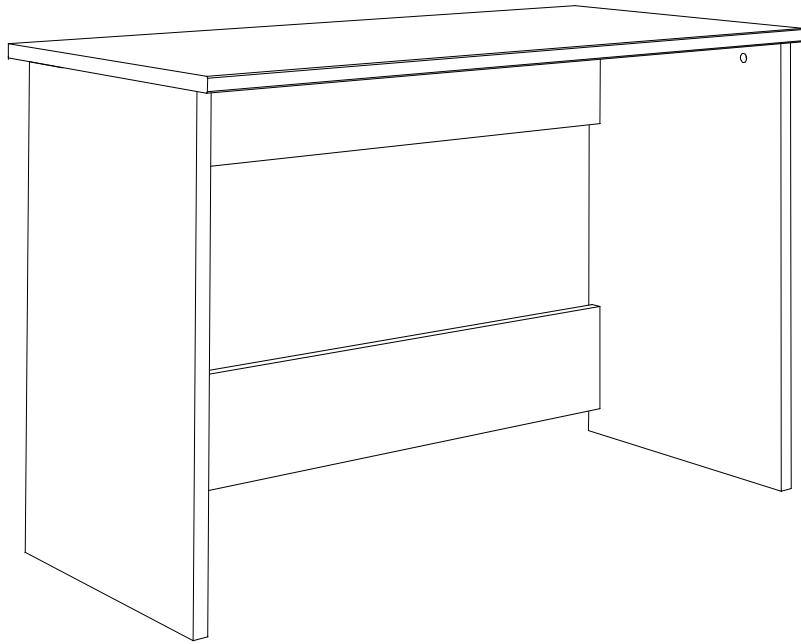
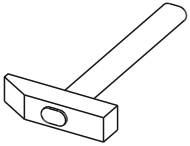
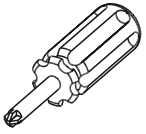
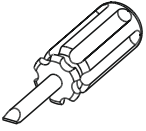


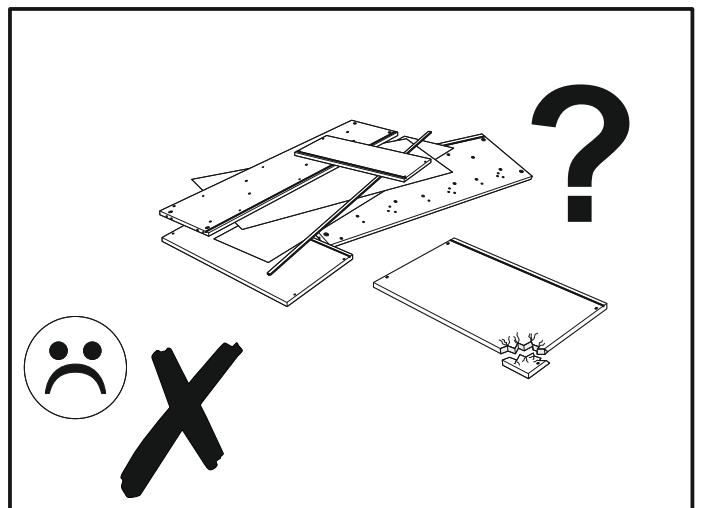
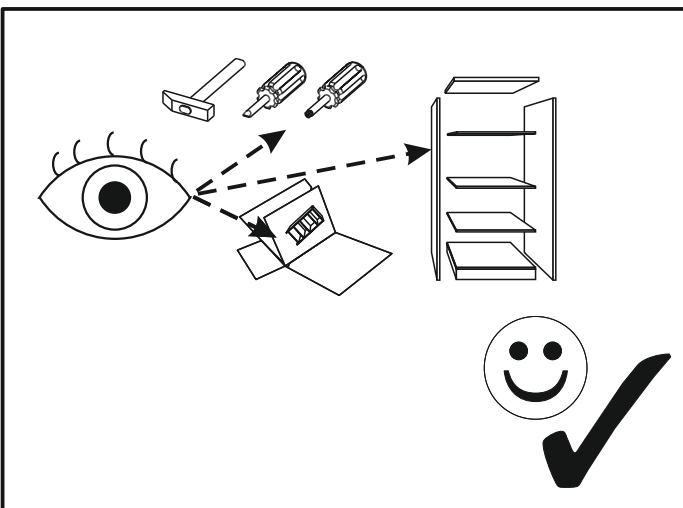
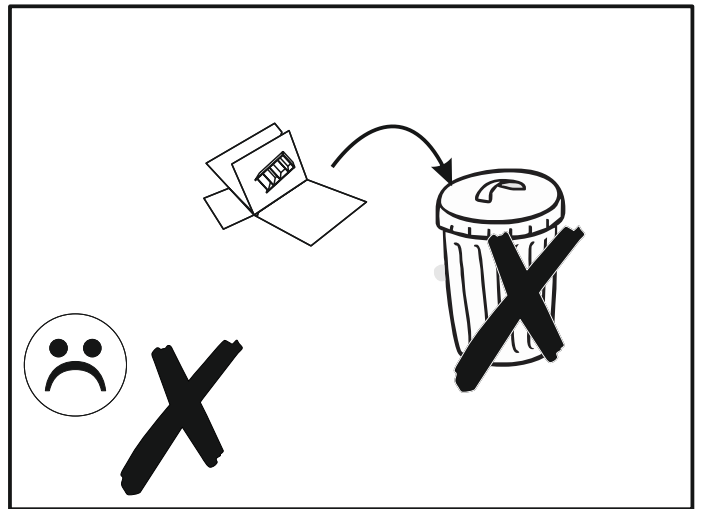
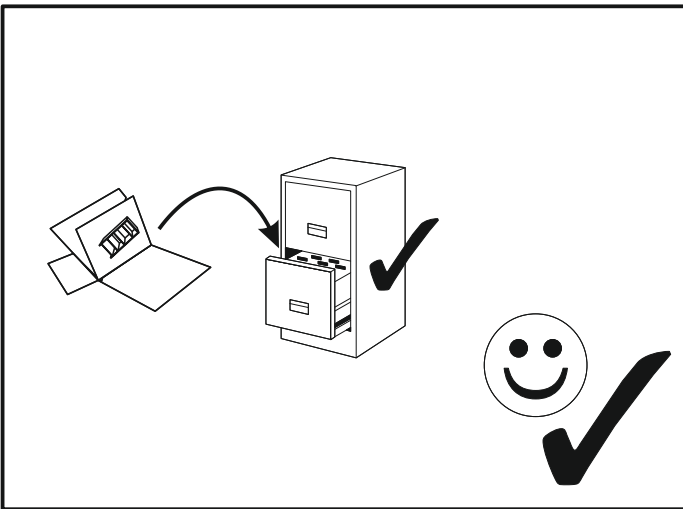
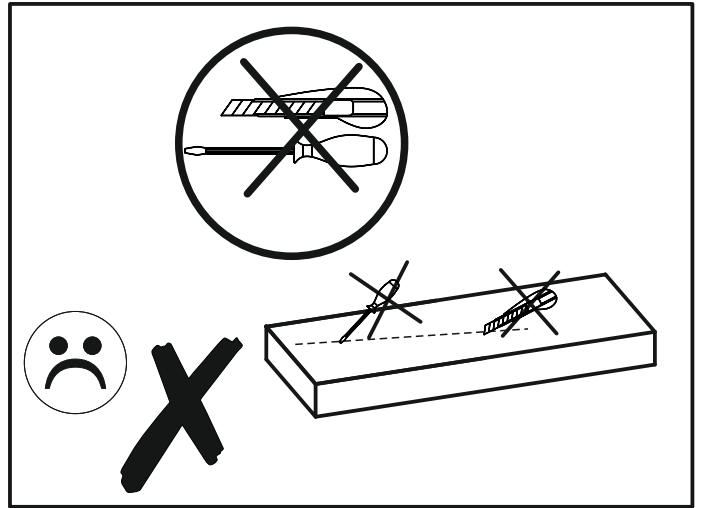
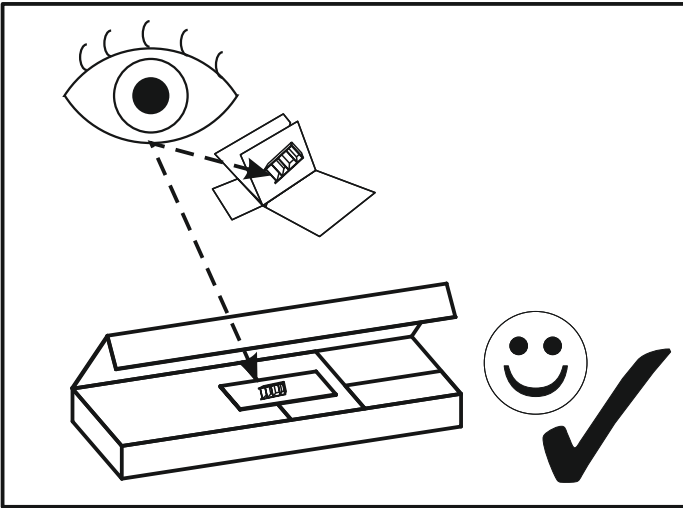
10 ▶


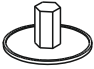


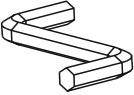
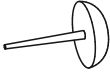
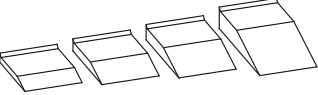


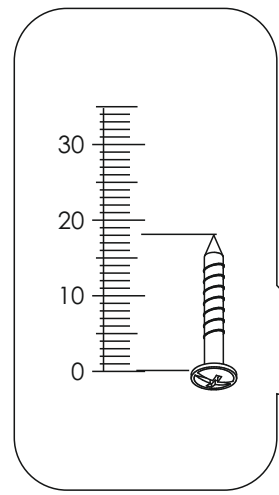
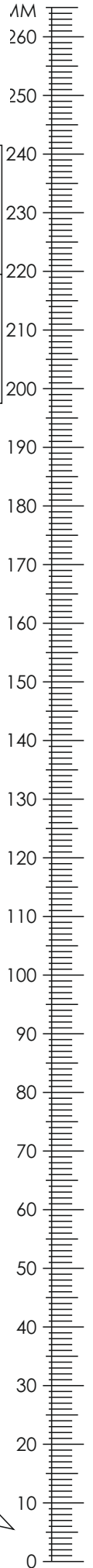


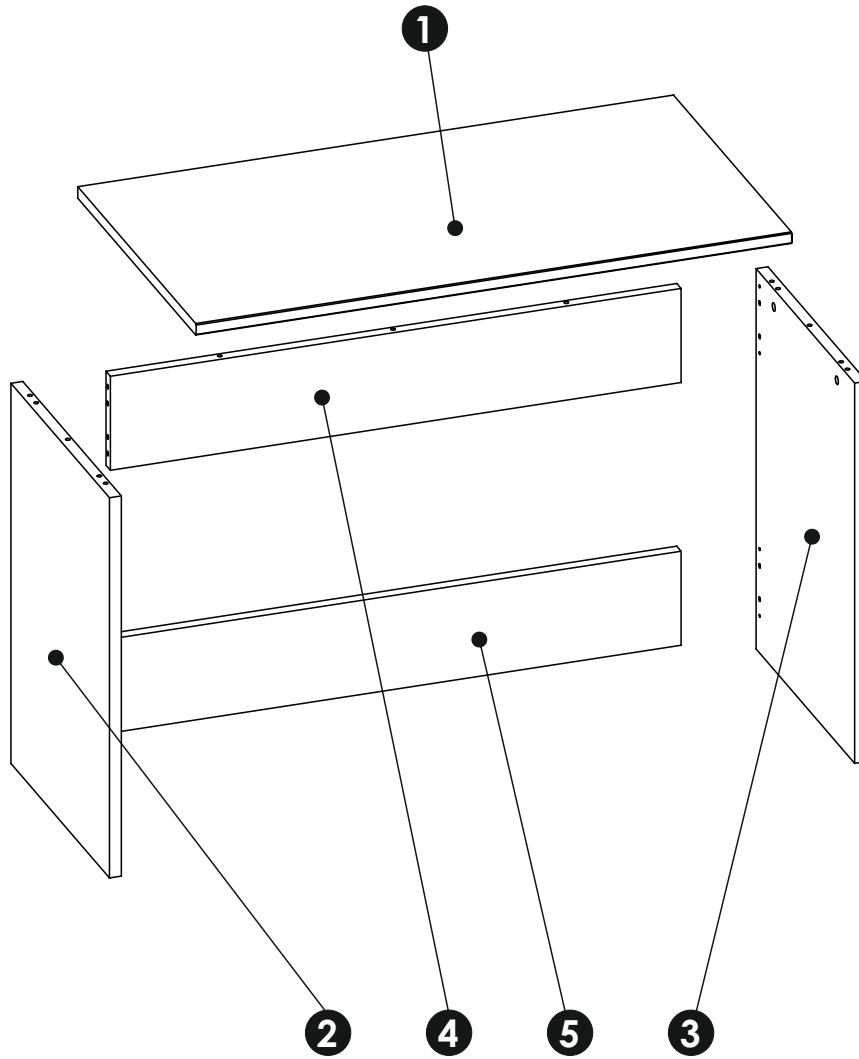
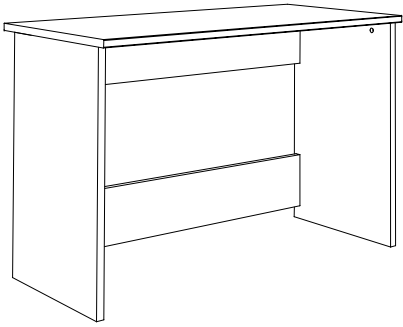




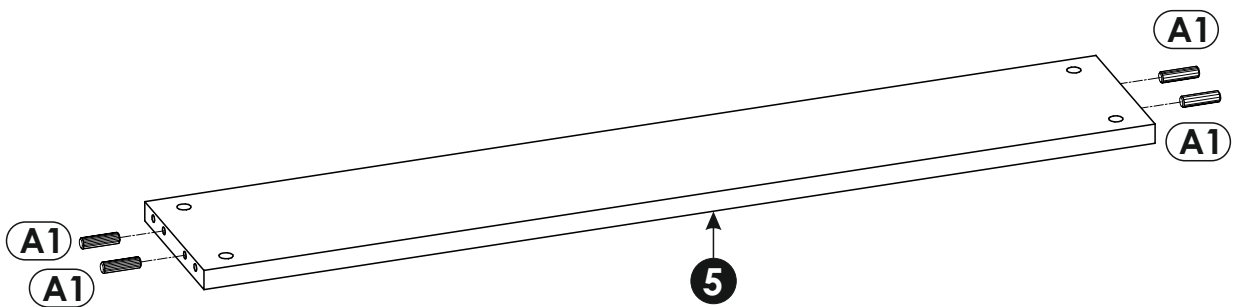
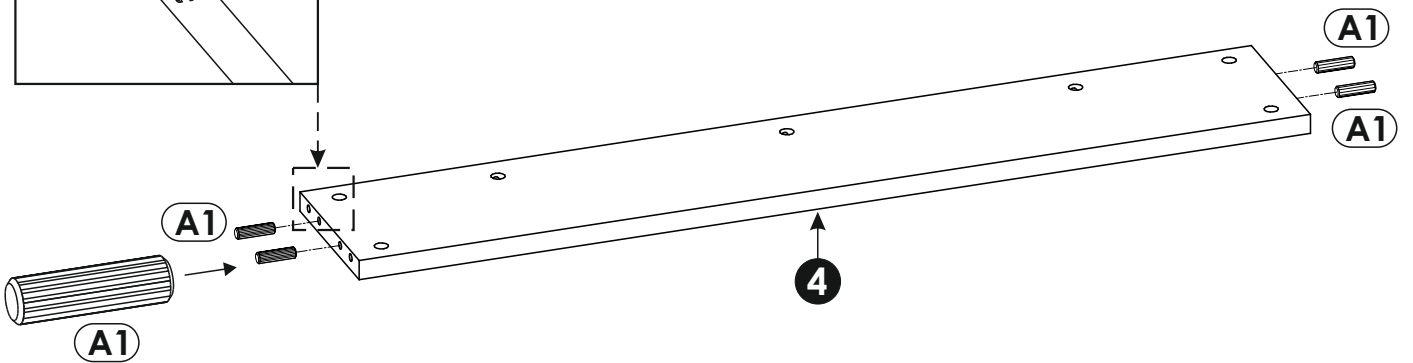
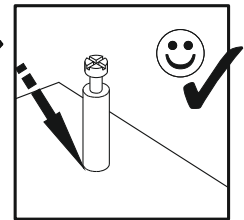
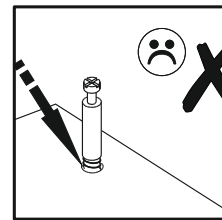
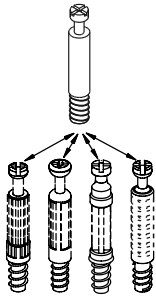
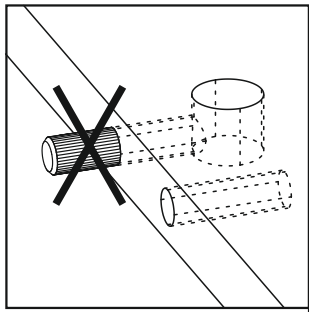
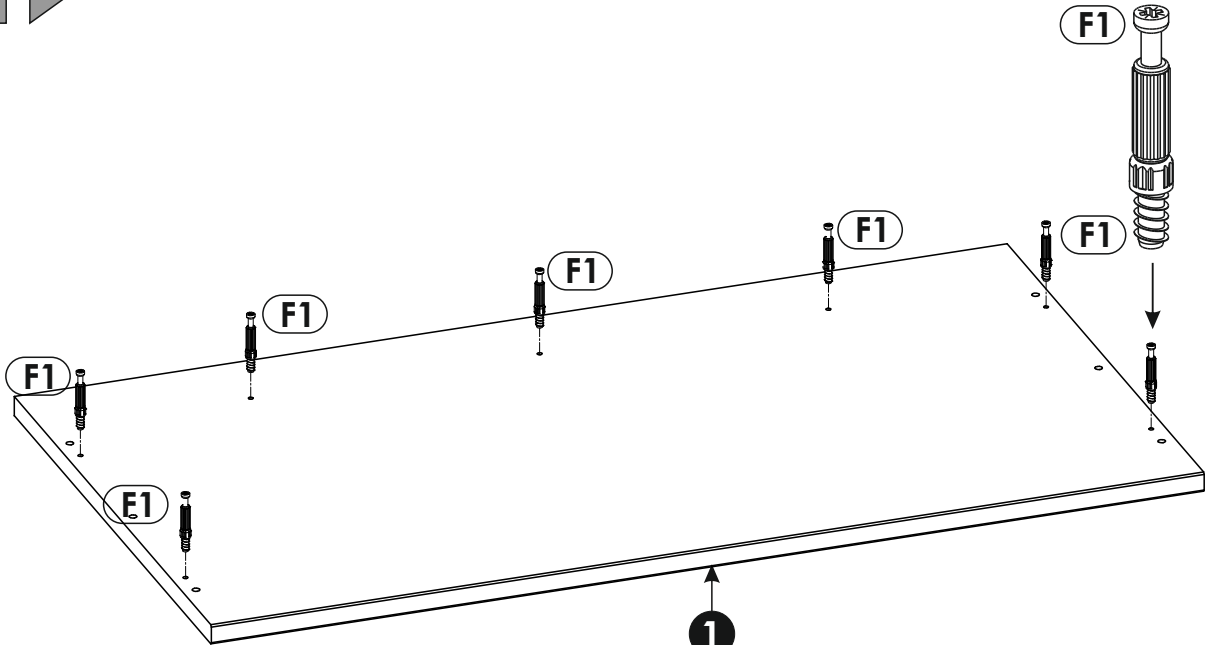
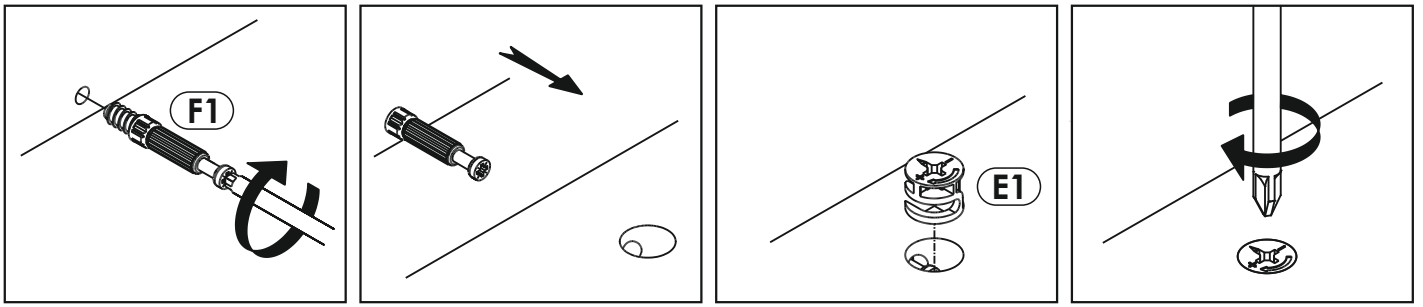


A1 x14 $\varnothing 8 \times 35$ mm 	E0 x15 	E1 x15 $\varnothing 15 \times 12$ mm 
F1 x15 	M x1 	O2 x4 
Z x1 		

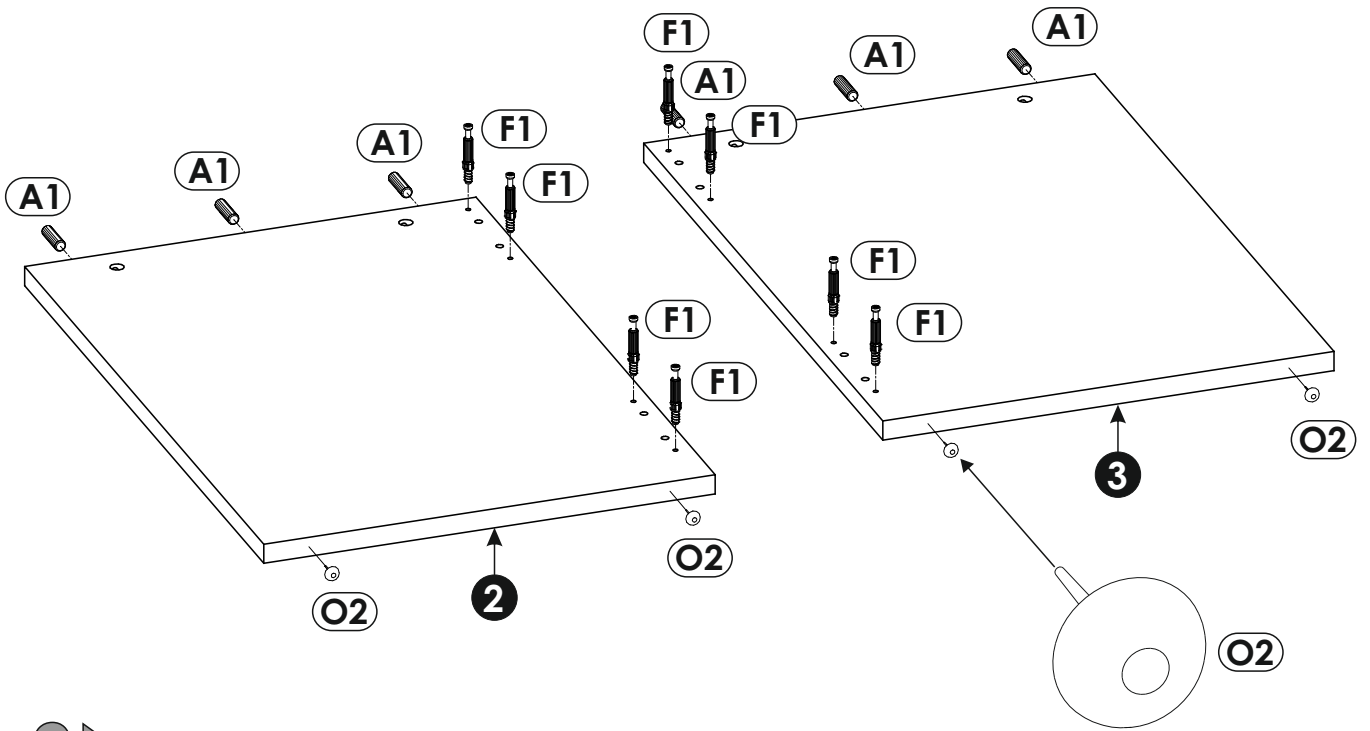




1	1100	600	22	x1	1/1
2	728	500	22	x1	1/1
3	728	500	22	x1	1/1
4	1054	180	22	x1	1/1
5	1054	180	22	x1	1/1



2 ▶



3 ▶

