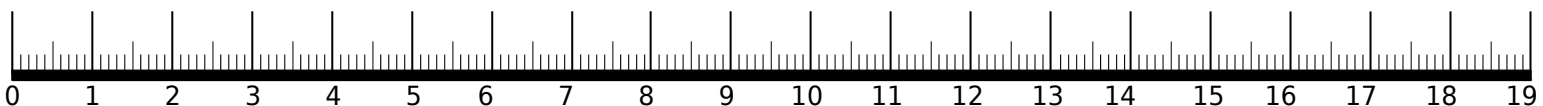
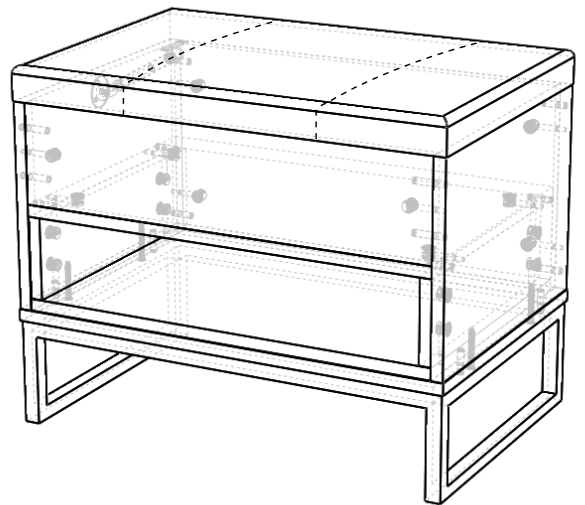
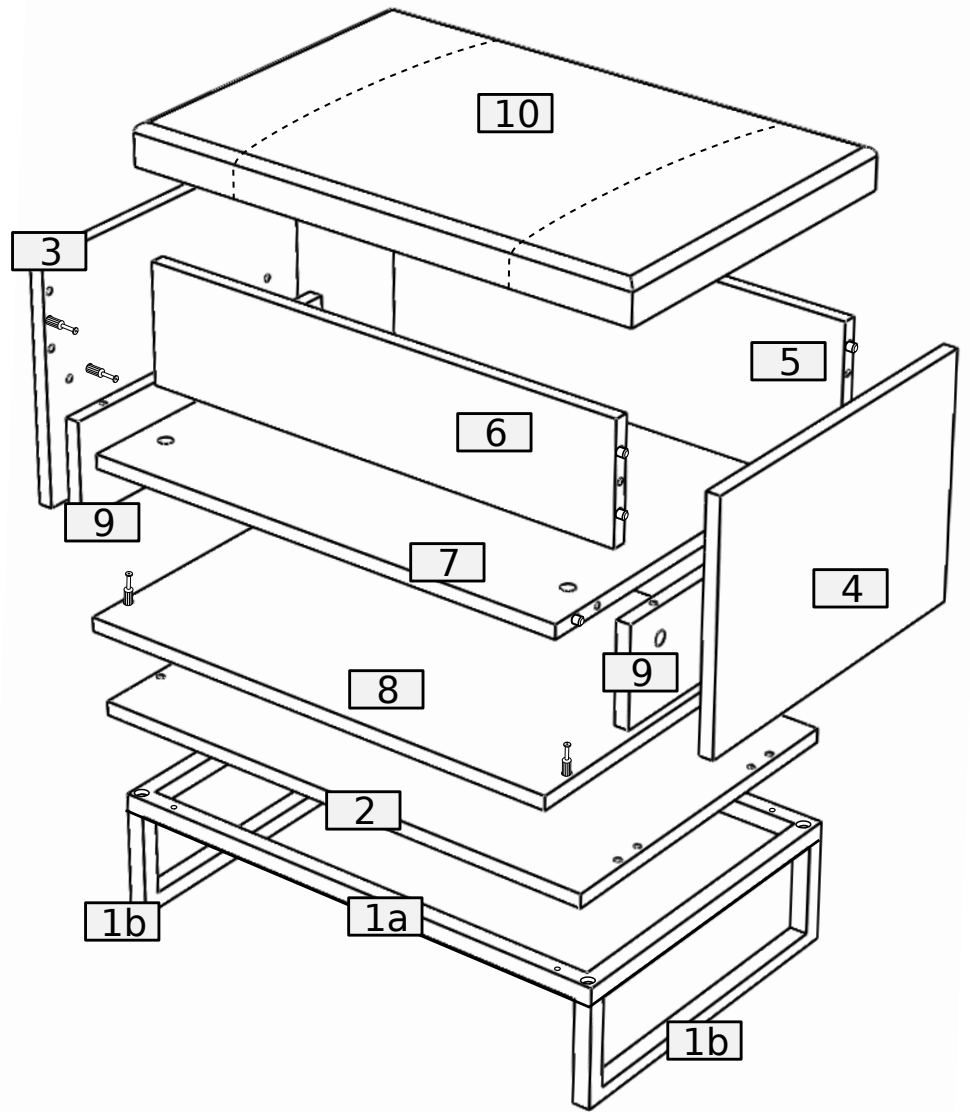


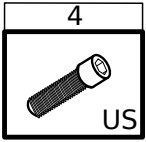
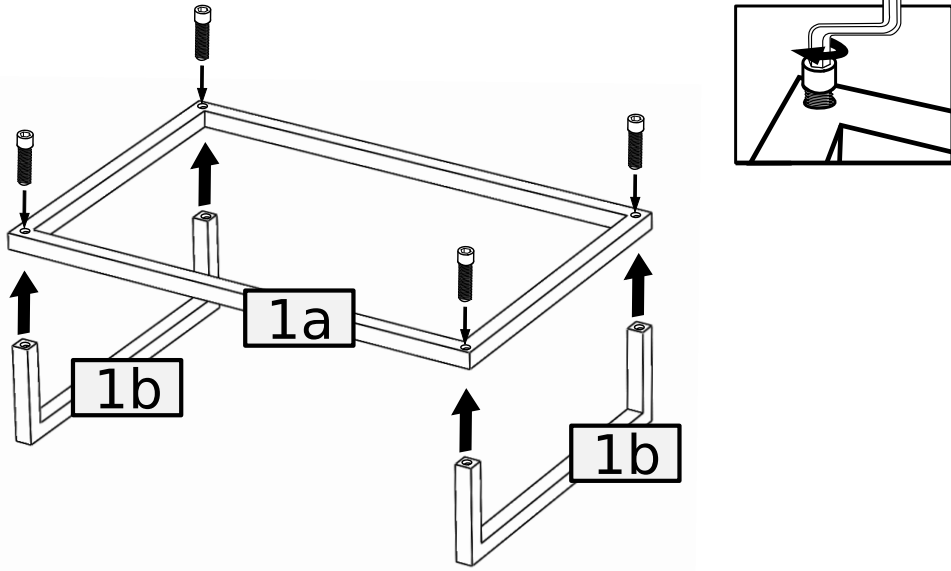
18	18	16	4	1	4
B	A	8.0x35	D 3.5x16 W2	U1	G4
10	1	2	2	4	
X	PG	PZ	Z1	O	
1	4	4			
U1	US	4.0x35 W11			



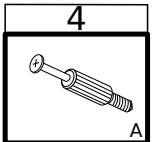
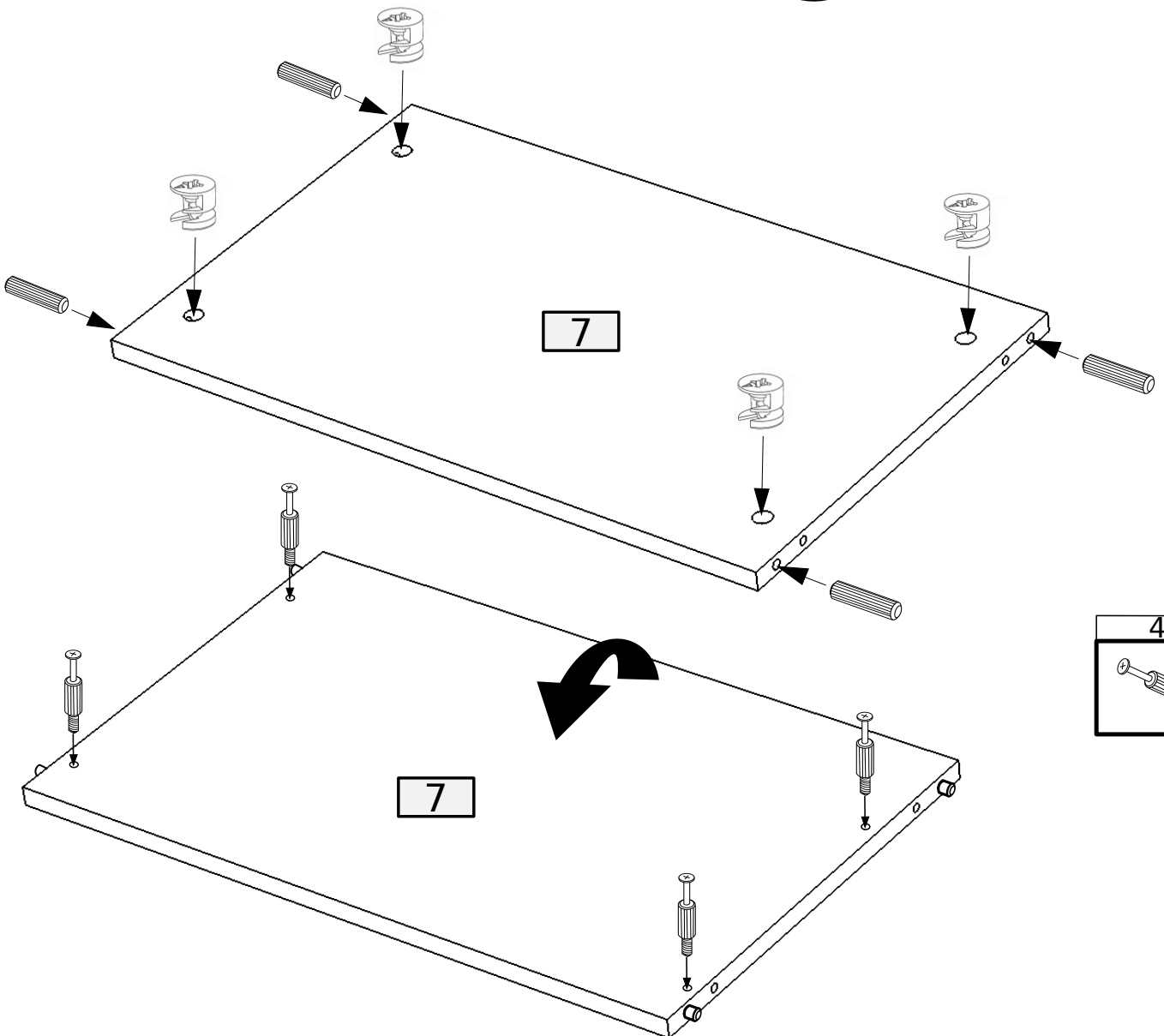
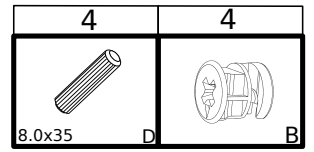
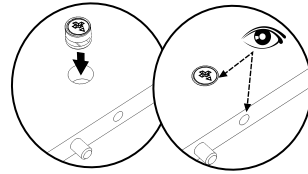


No.	Pcs.	L	W	D	Pac
1a	1	595	395	20	1/2
1b	1	595	140	20	1/2
2	1	600	400	16	1/2
3	1	398	278	16	1/2
4	1	398	278	16	1/2
5	1	566	278	16	1/2
6	1	566	135	16	1/2
7	1	566	380	16	1/2
8	1	566	380	16	1/2
9	2	379	111	16	1/2
10	1	600	400	65	2/2

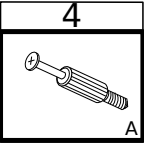
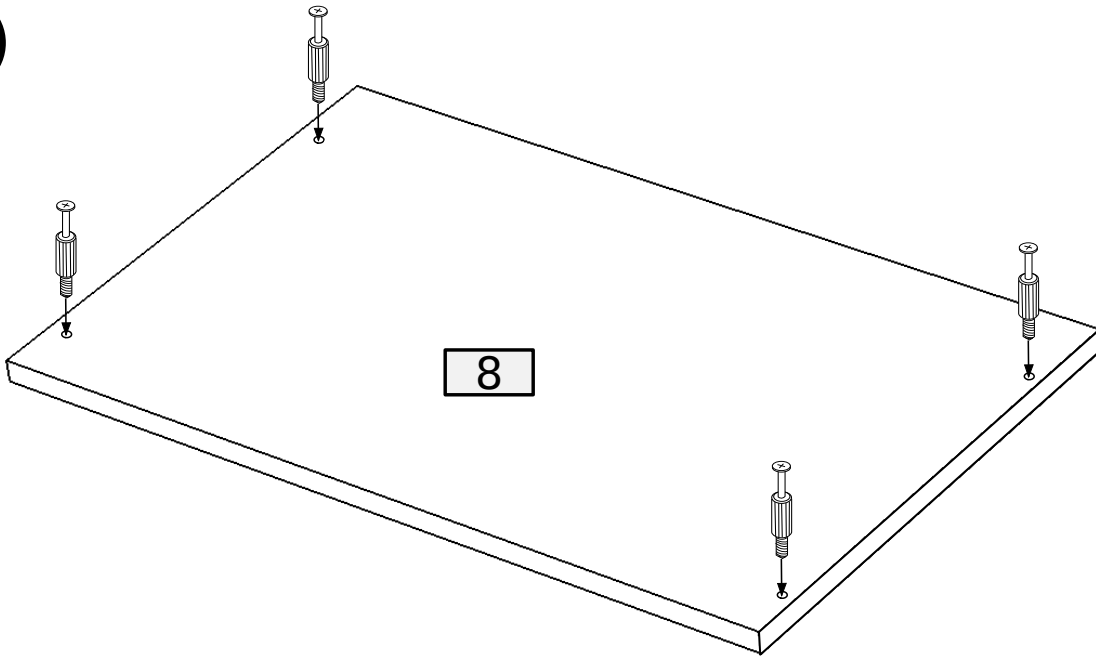
①



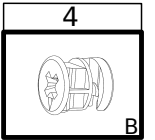
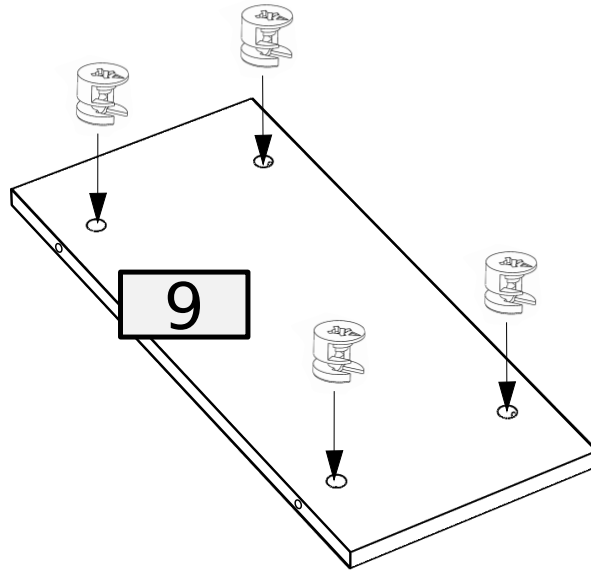
②



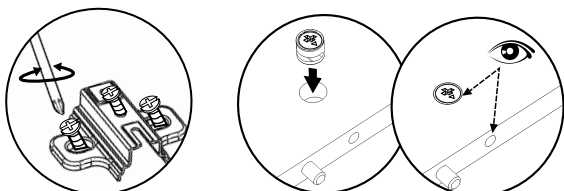
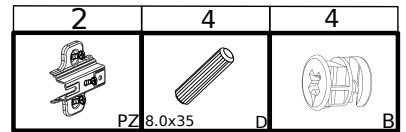
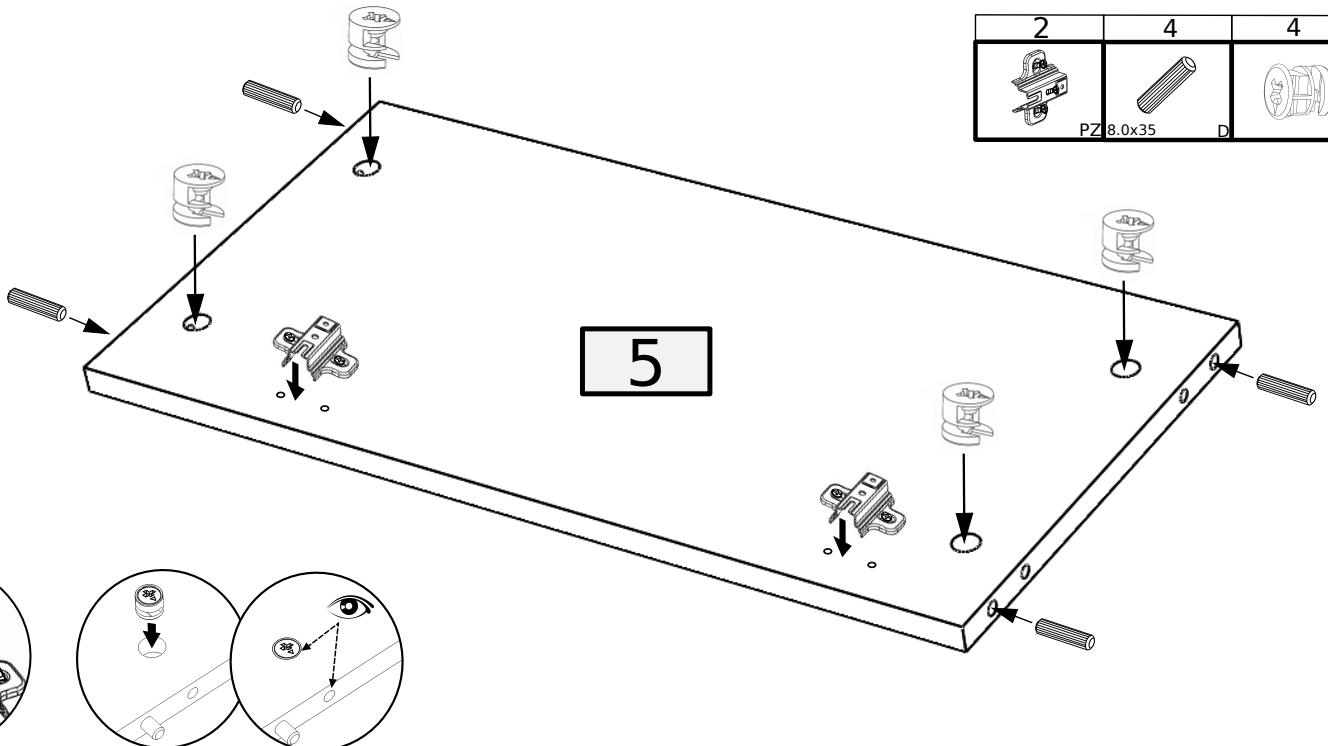
③



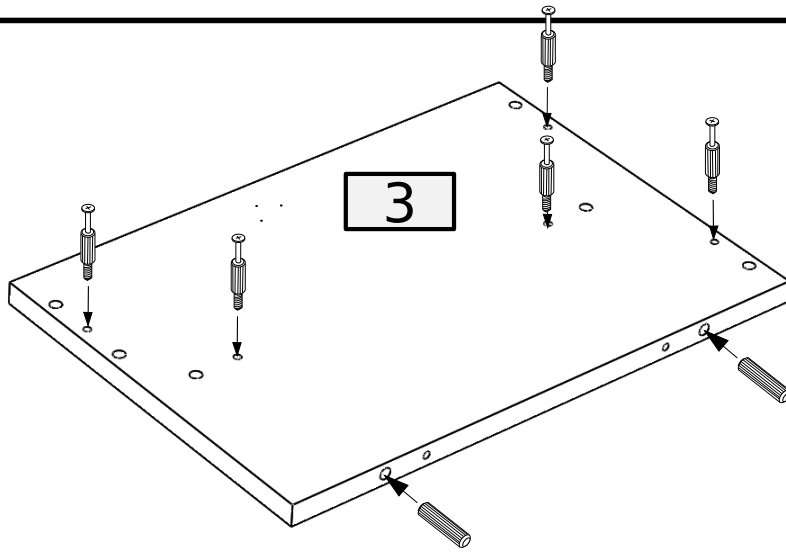
④ x2


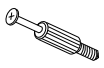


⑤

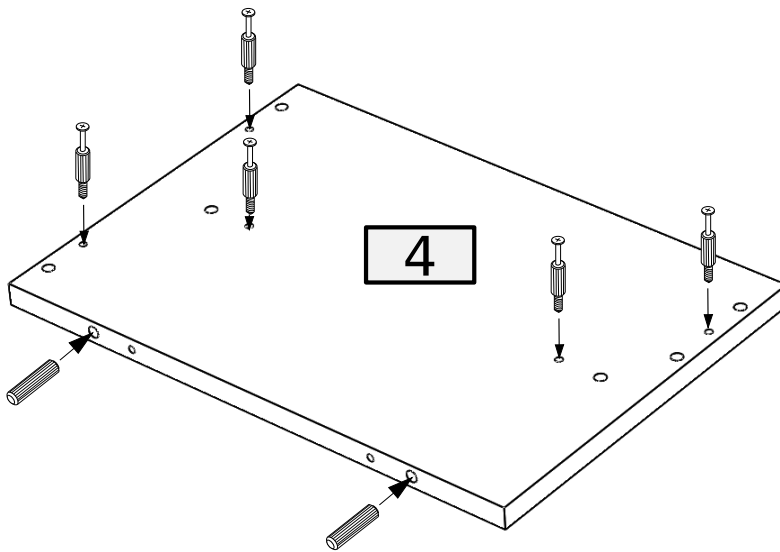



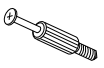
6



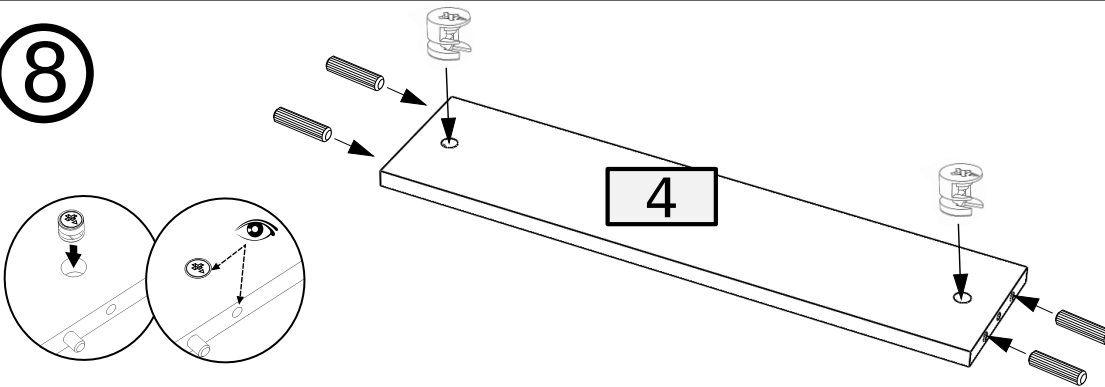
2	5
	
8.0x35	D A

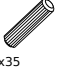

7



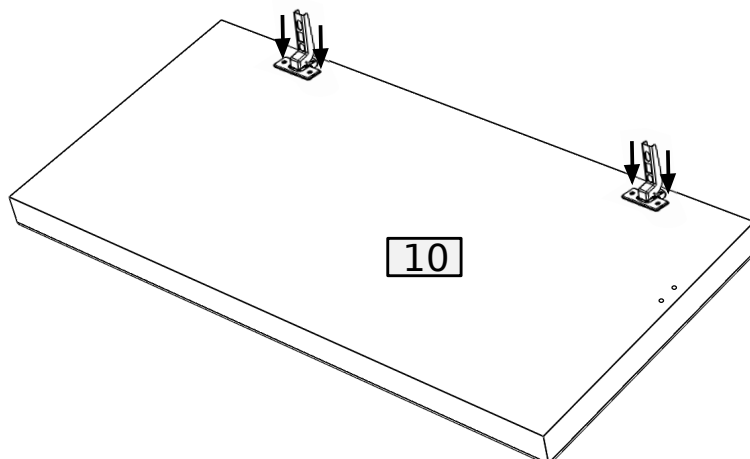
2	5
	
8.0x35	D A


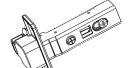
8

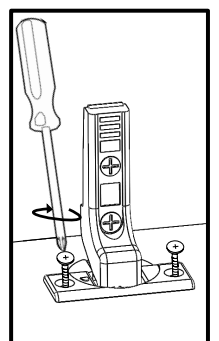


4	4
	
8.0x35	D B

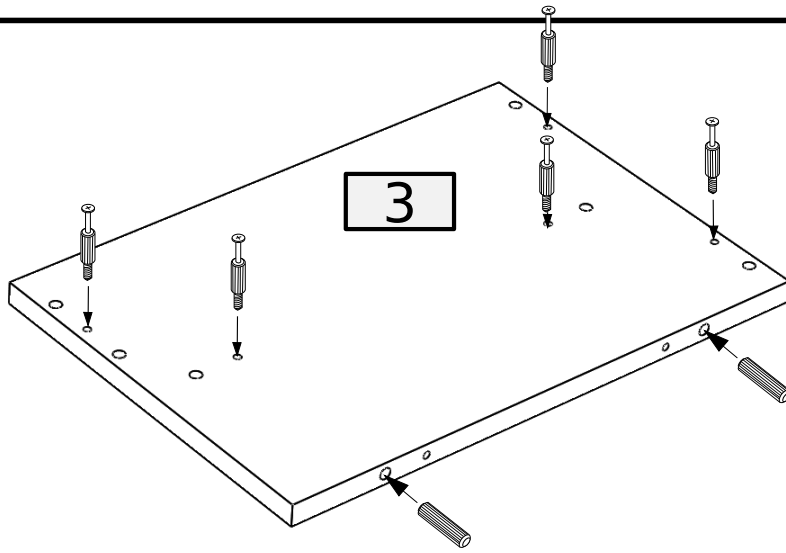
9


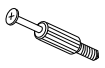


	
3.5x16 W2	Z1
4	2

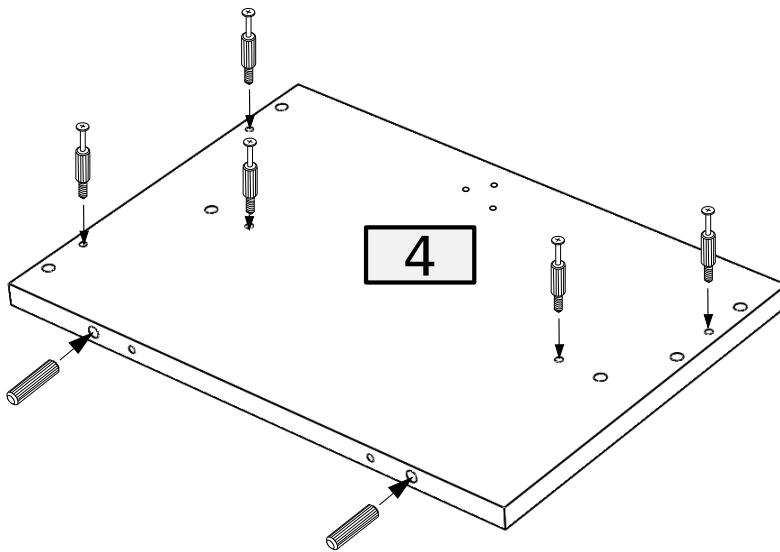



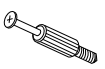
6



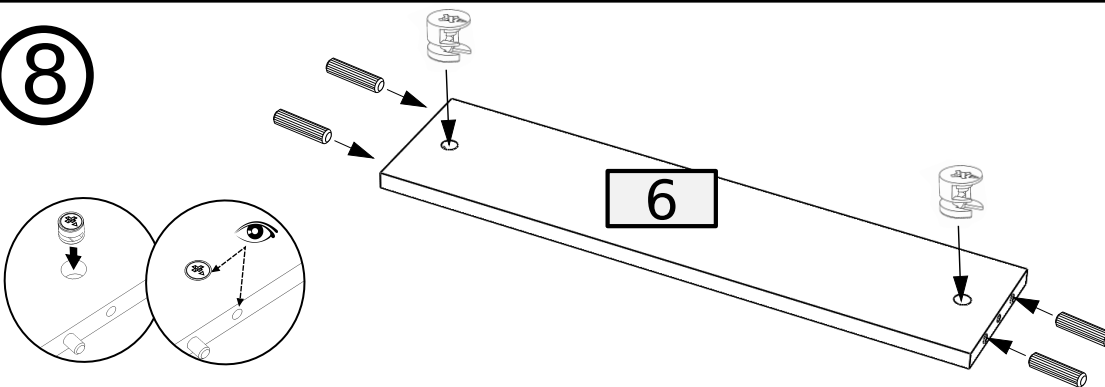
2	5
	
8.0x35	D A



7



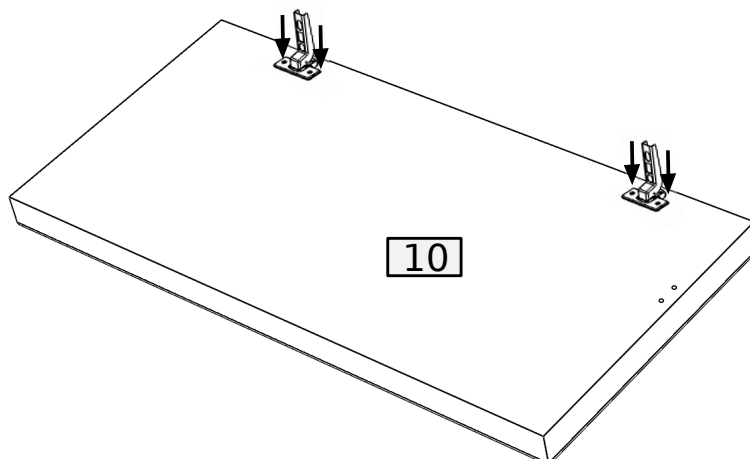
2	5
	
8.0x35	D A


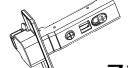
8

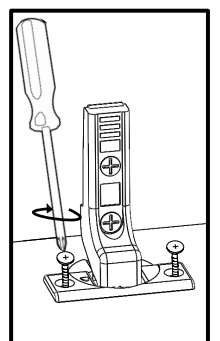


4	4
	
8.0x35	D B

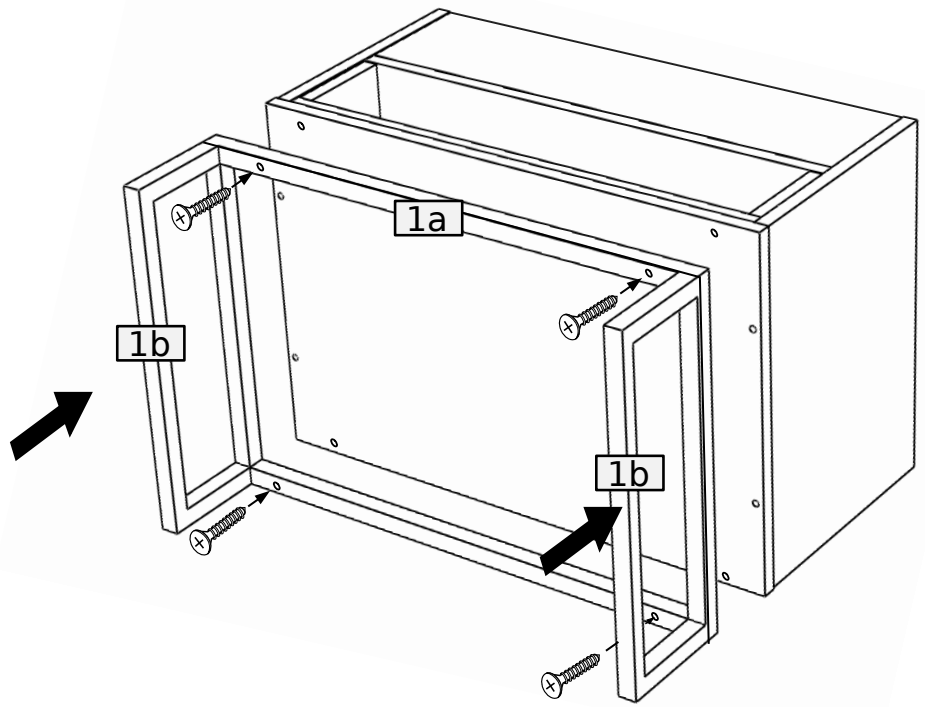
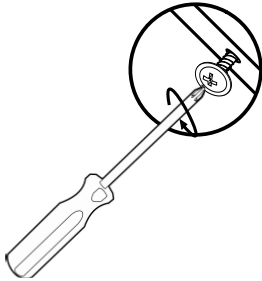
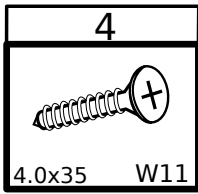
9



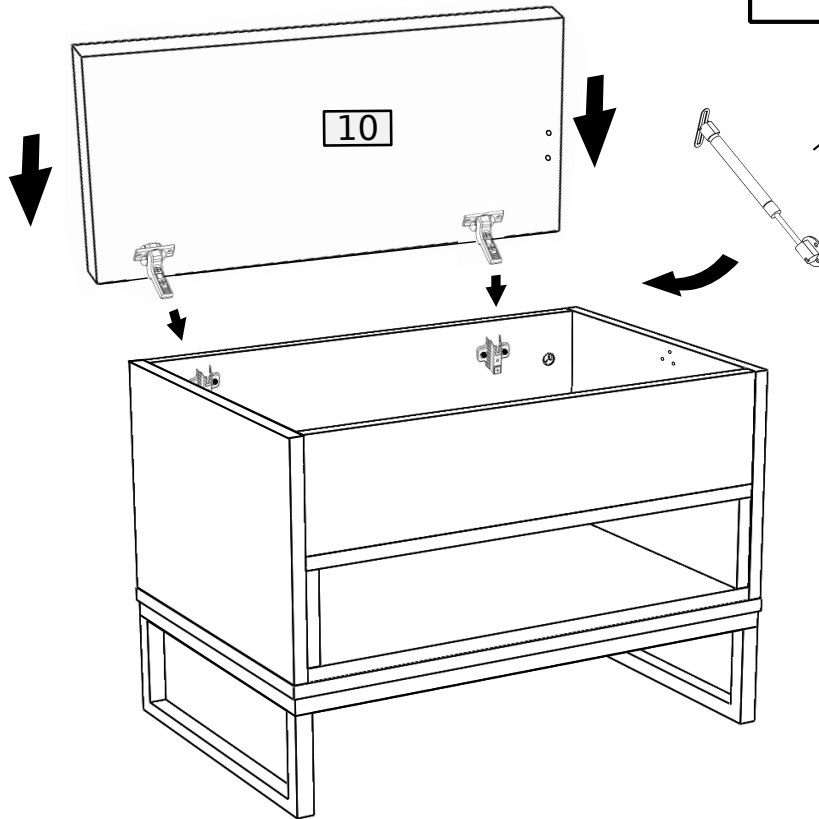
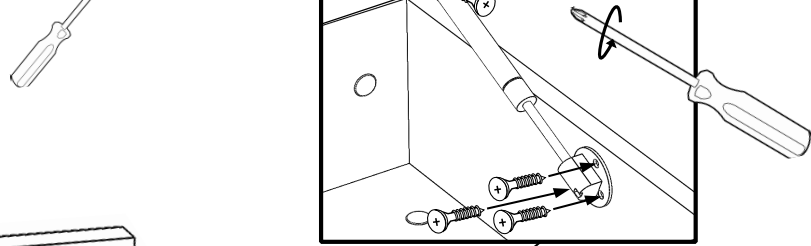
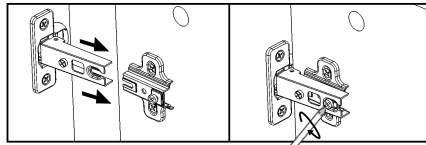
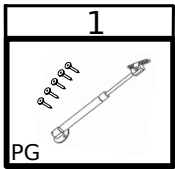
	
3.5x16 W2	Z1
4	2

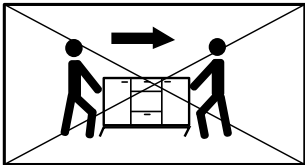
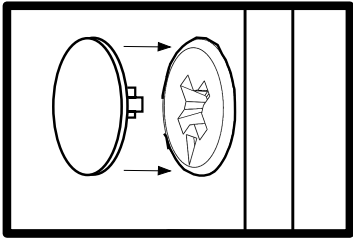
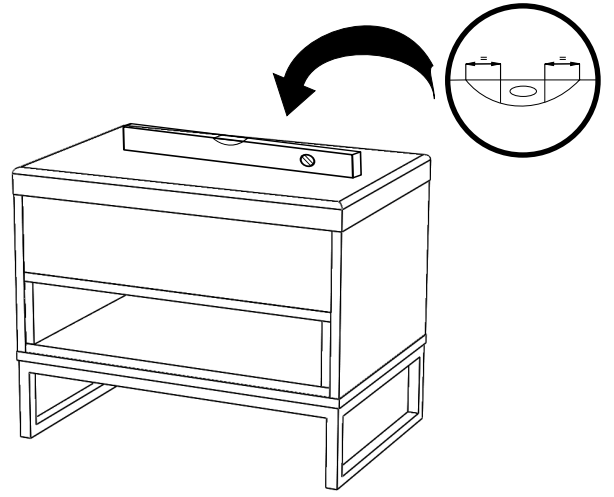
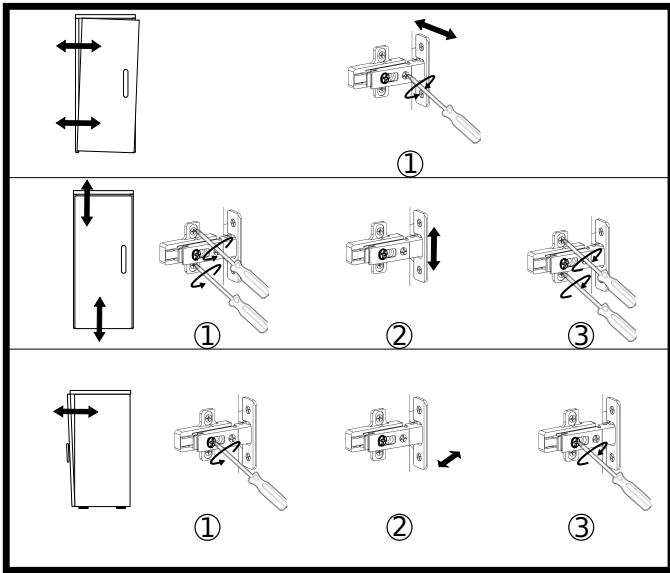


13

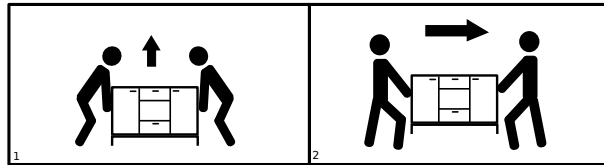


14





×



✓

