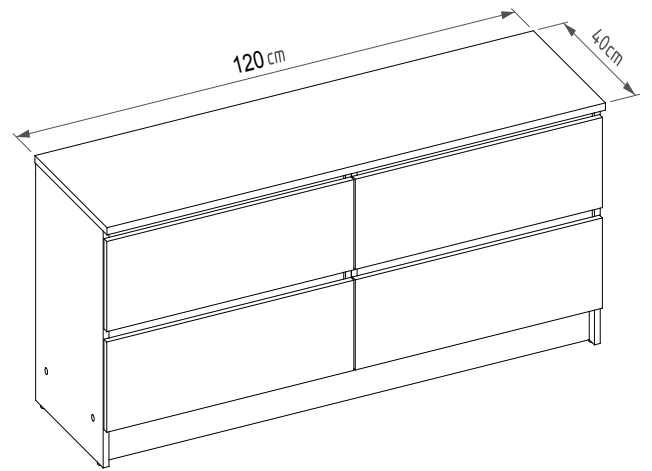
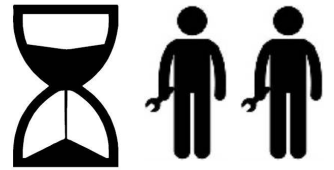
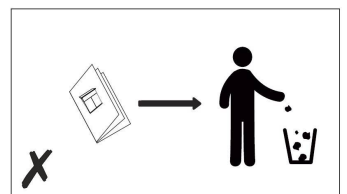
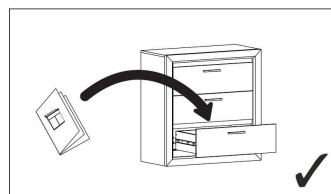
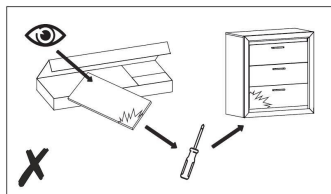
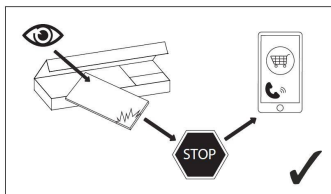
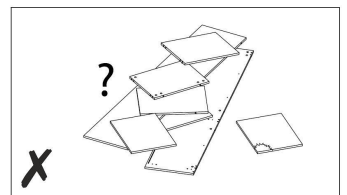
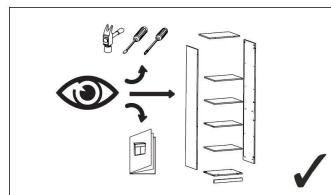
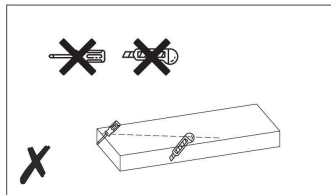
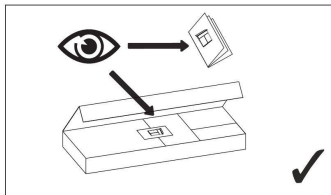
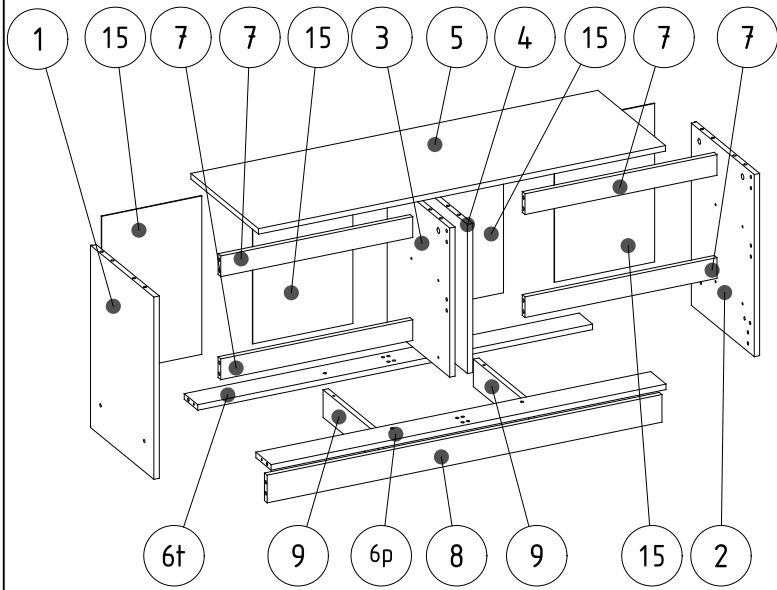


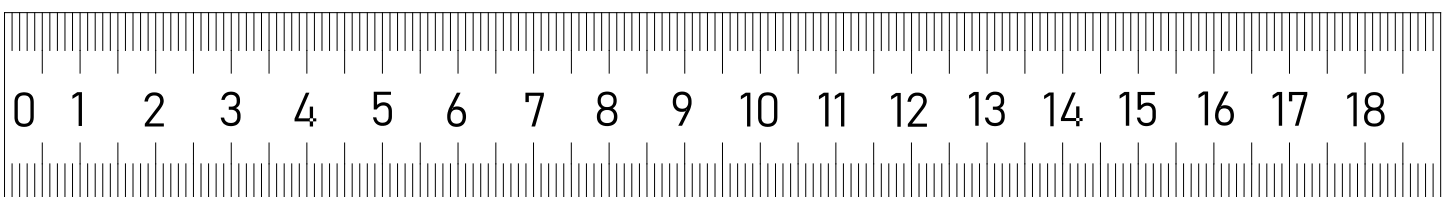
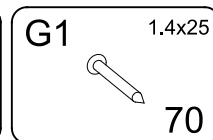
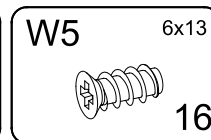
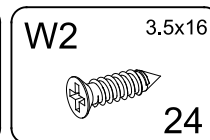
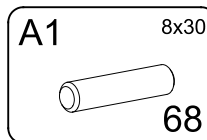
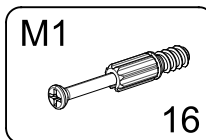
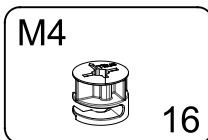
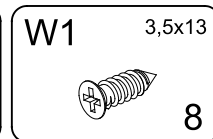
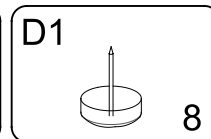
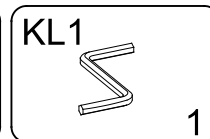
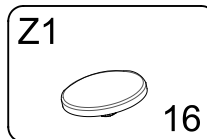
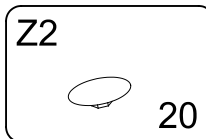
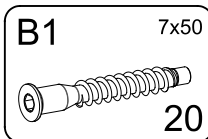
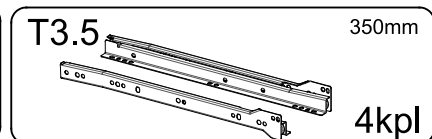
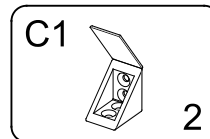
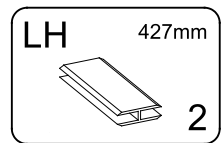
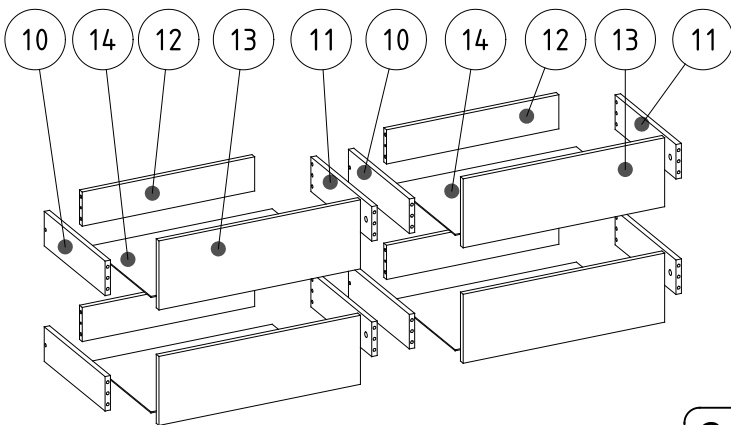
~120min



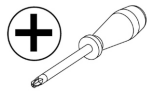




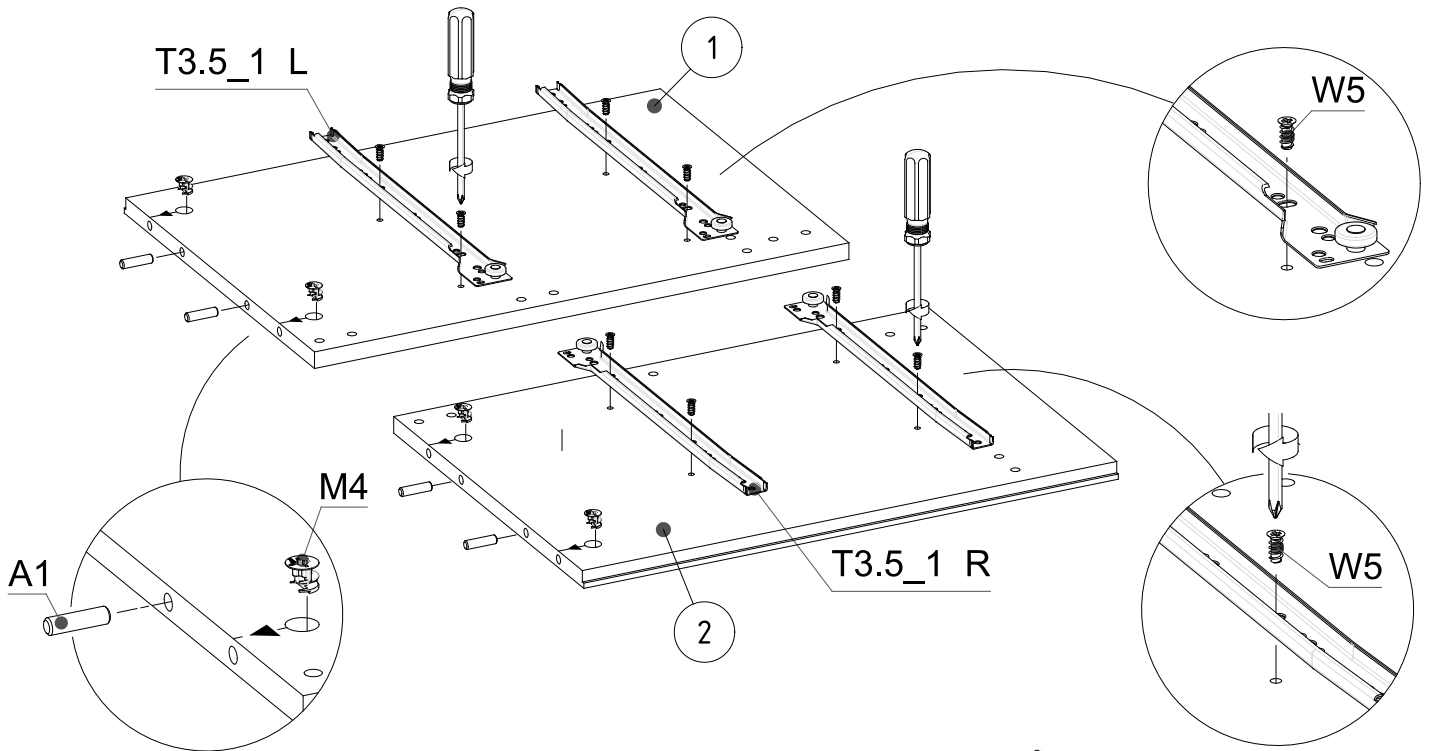
1	528x375x16mm	1
2	528x375x16mm	1
3	432x370x16mm	1
4	432x370x16mm	1
5	1204x400x16mm	1
6p	1168x90x16mm	1
6t	1168x80x16mm	1
7	568x60x16mm	4
8	1168x80x16mm	1
9	327x80x16mm	2
10	360x100x16mm	4
11	360x100x16mm	4
12	510x99x16mm	4
13	596x200x16mm	4
14	365x541x3mm	4
15	459x296x3mm	4



▶ 1

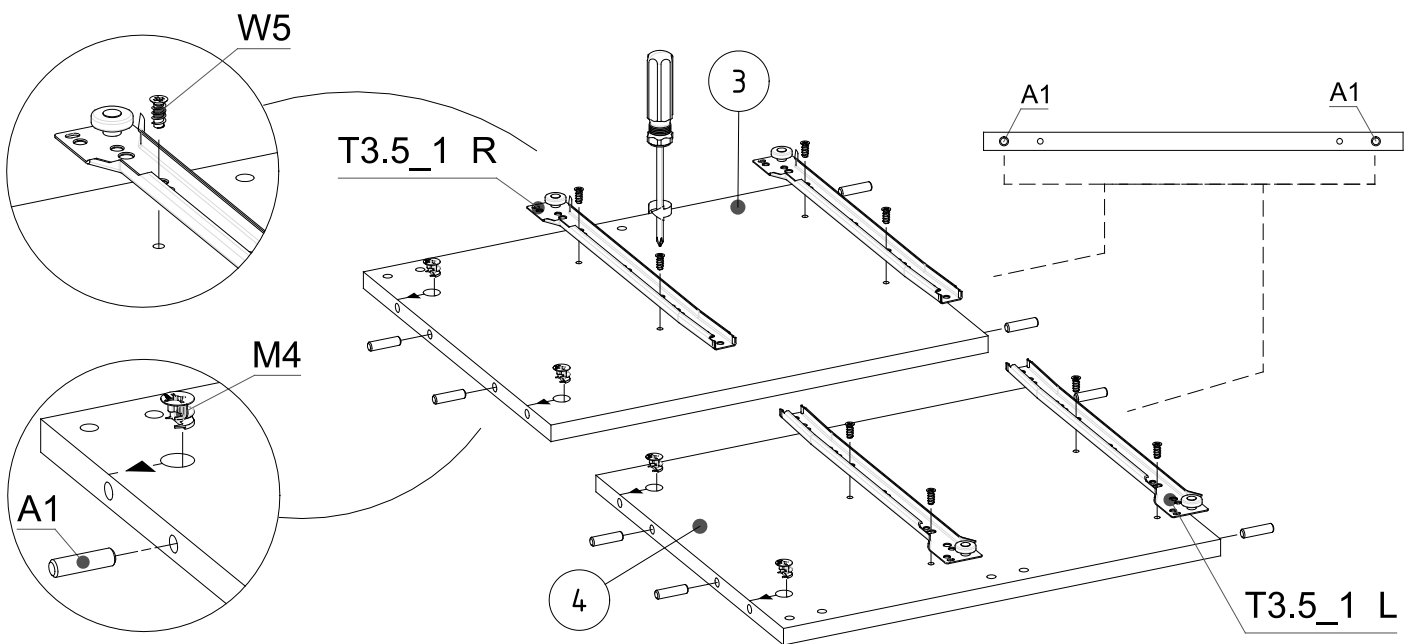
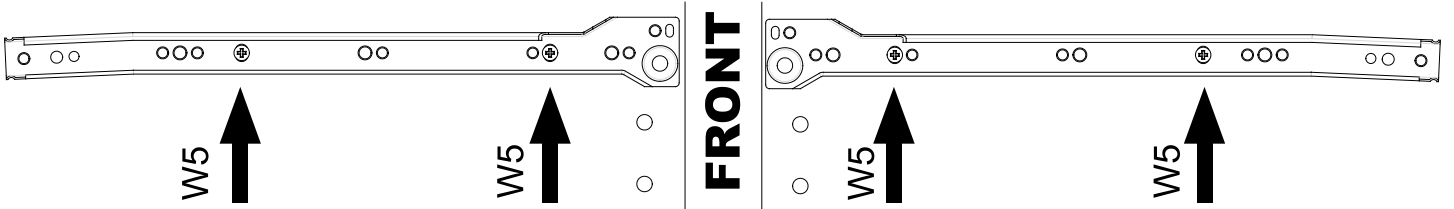


A1 8x30 12	W5 6x13 16	M4 8	T3.5_1 L/R 350mm 4kpl
-------------------------	-------------------------	----------------	------------------------------------

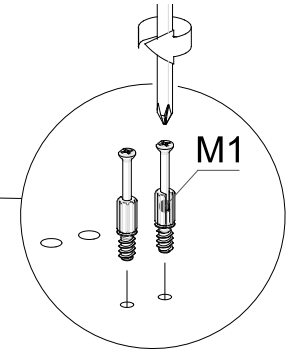
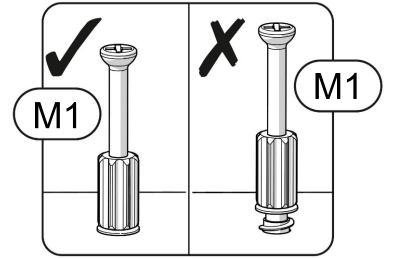
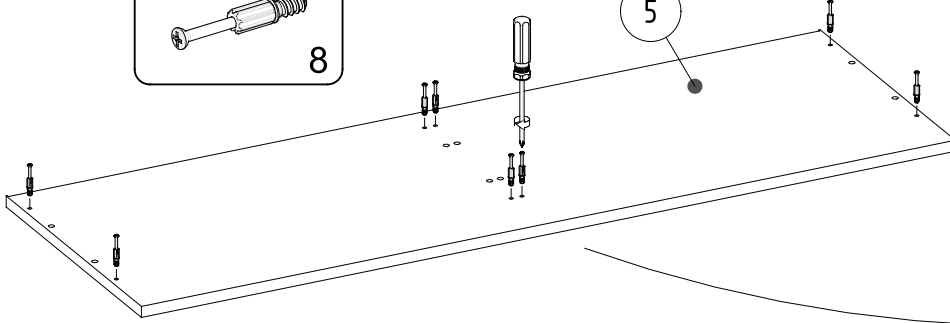
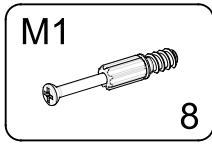
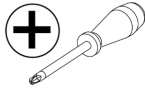


T3.5_1 R

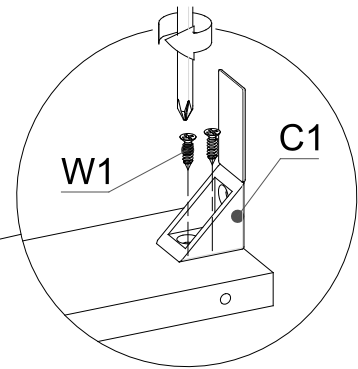
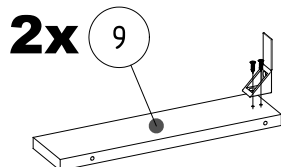
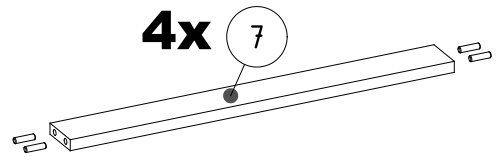
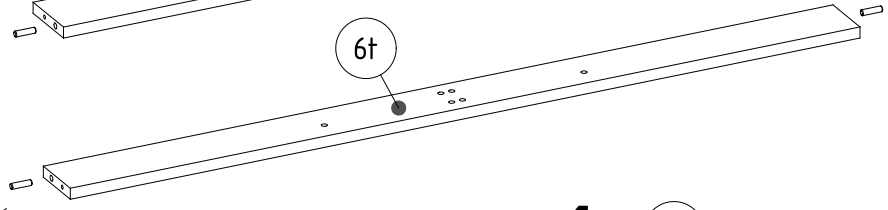
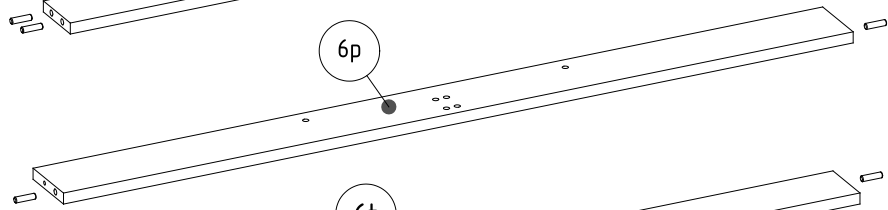
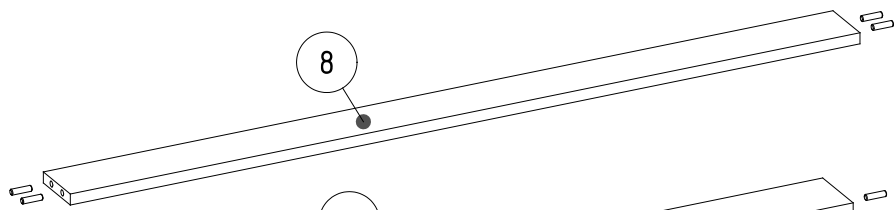
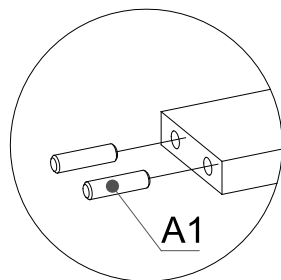
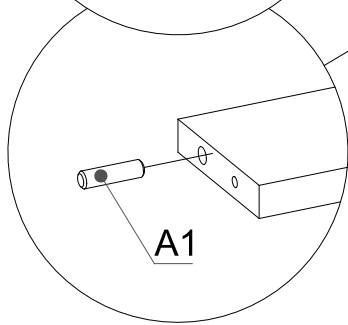
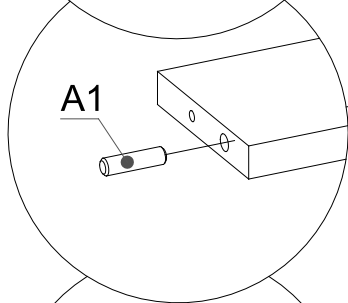
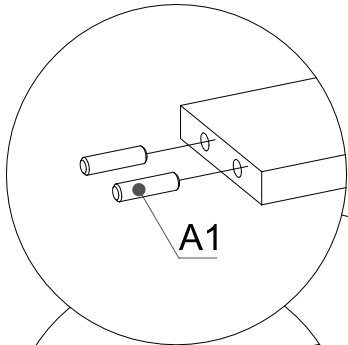
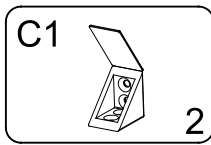
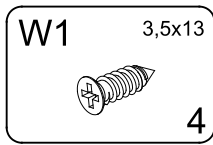
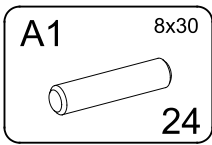
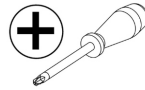
T3.5_1 L



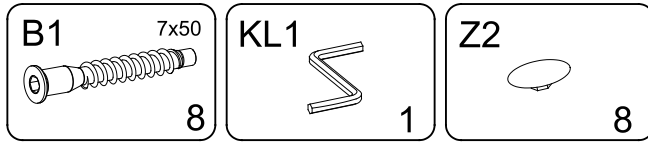
▶ 2



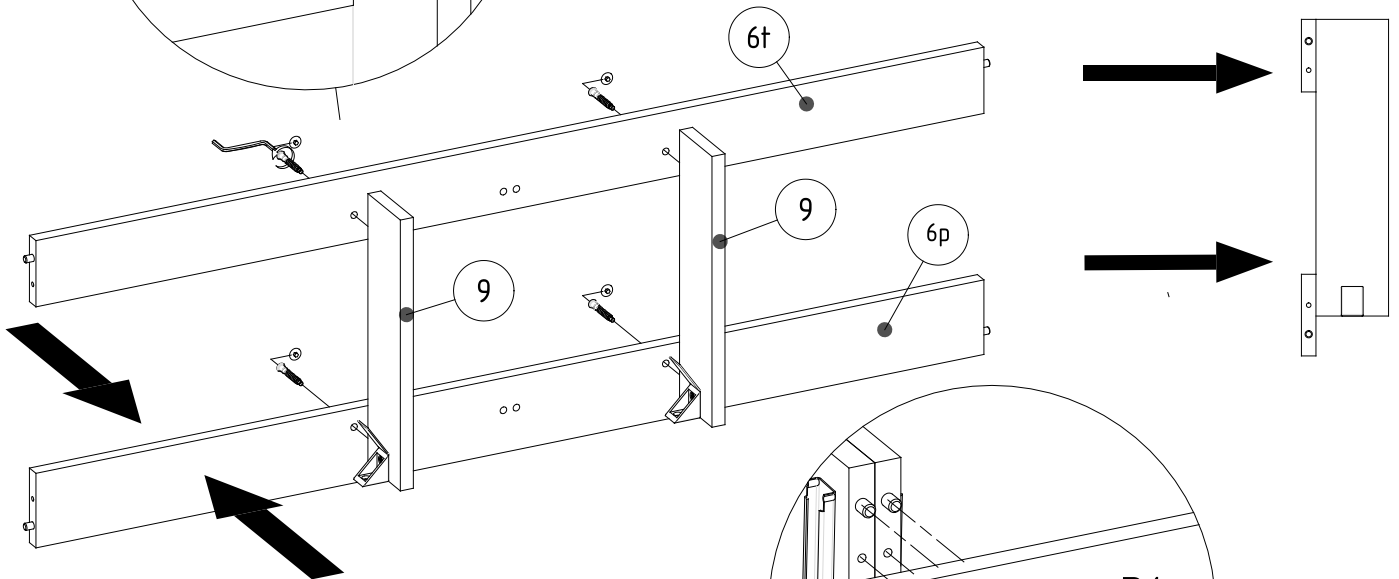
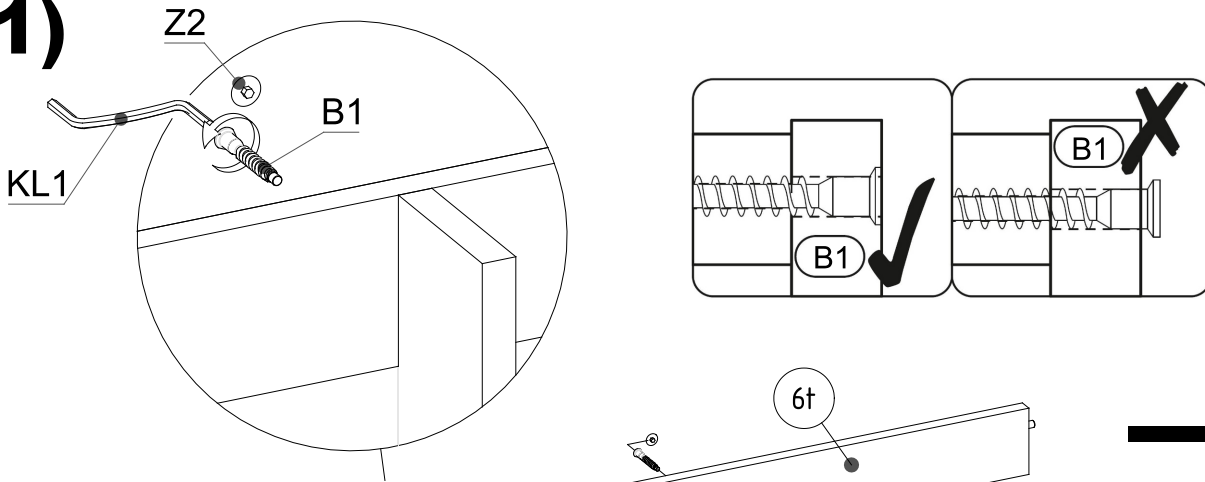
▶ 3



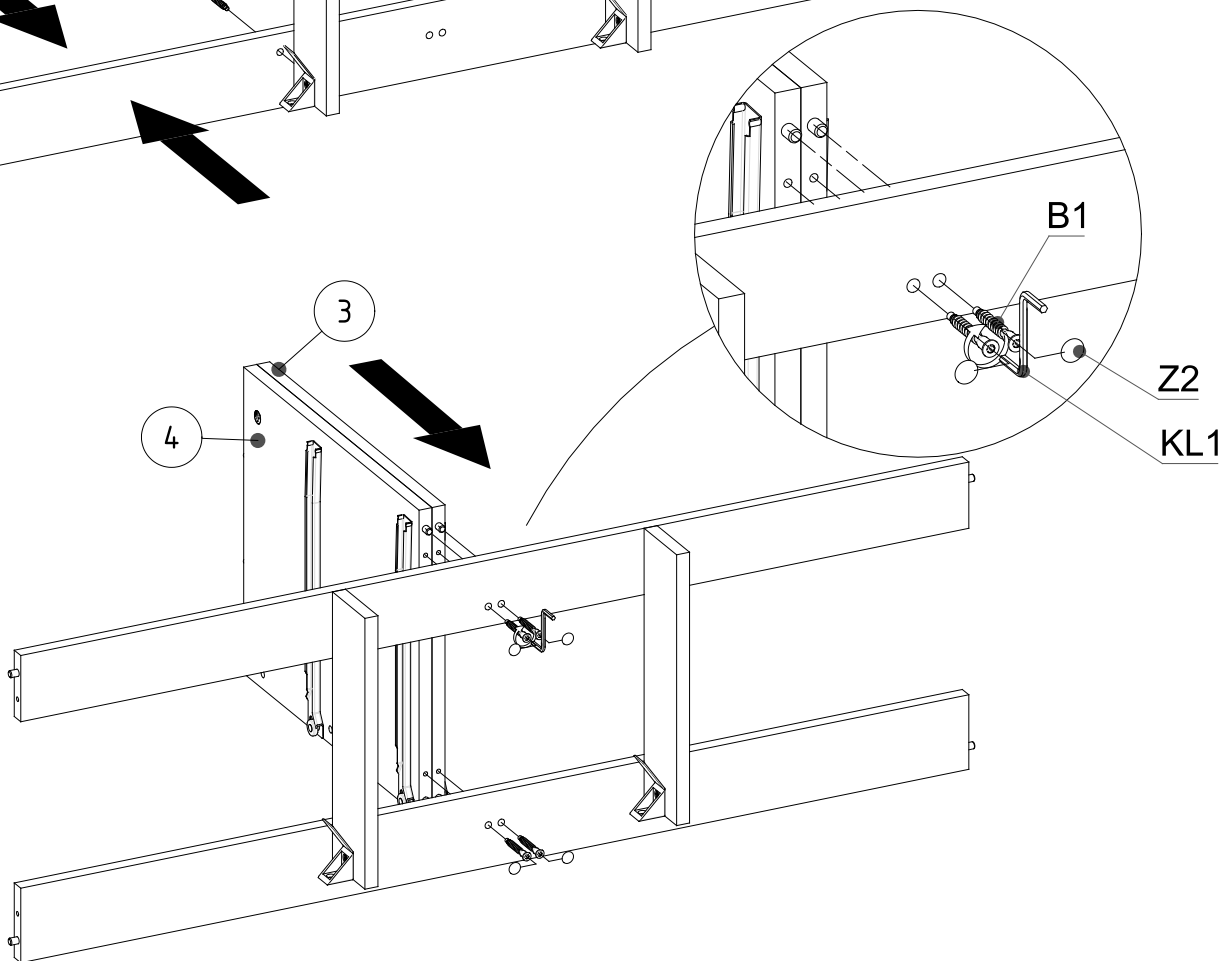
▶ 4



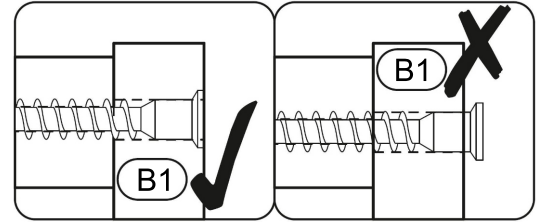
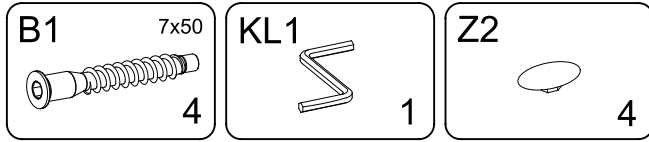
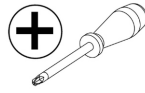
1)



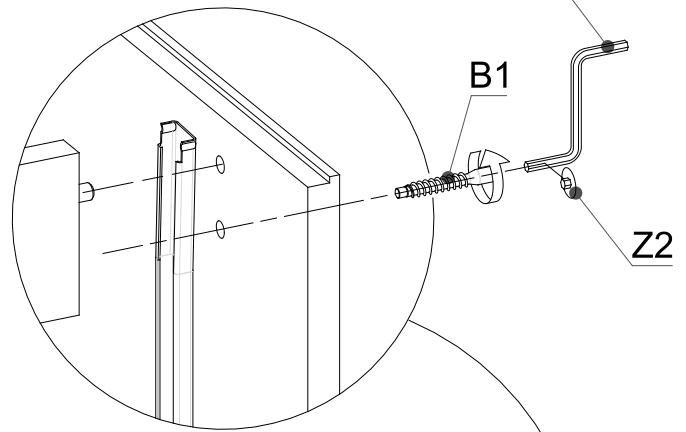
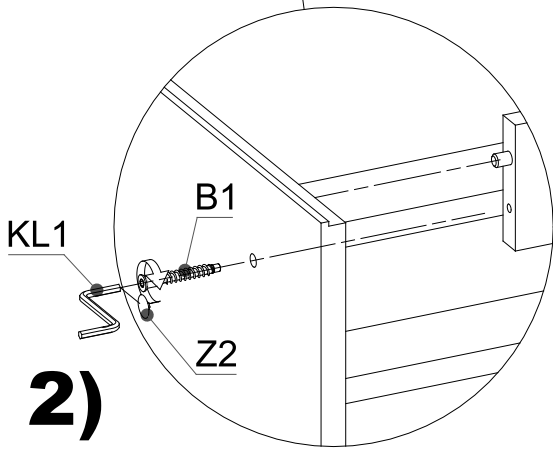
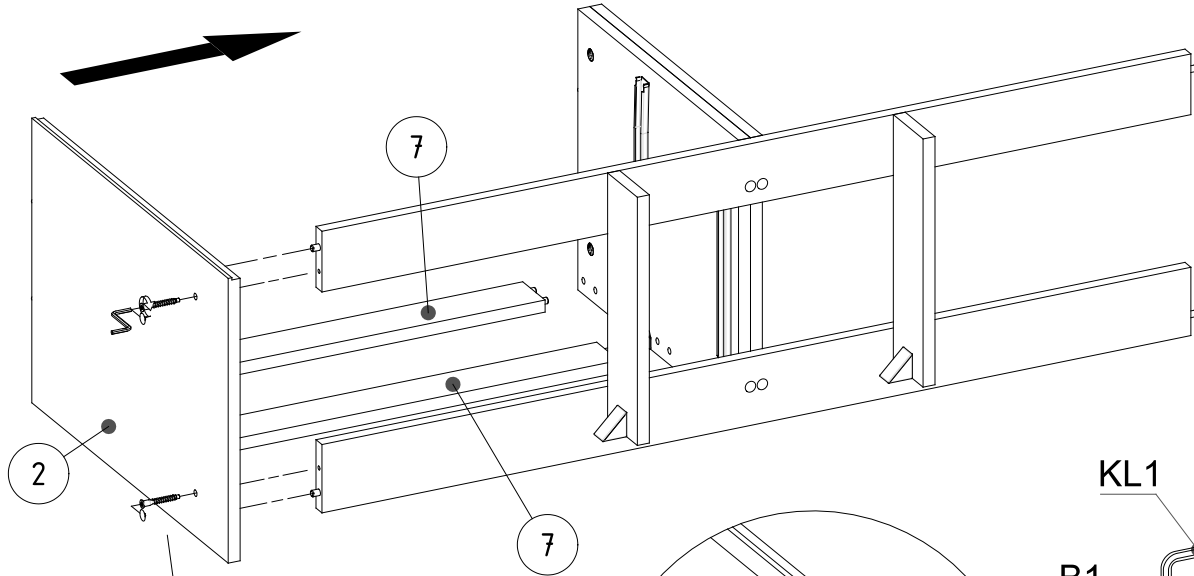
2)



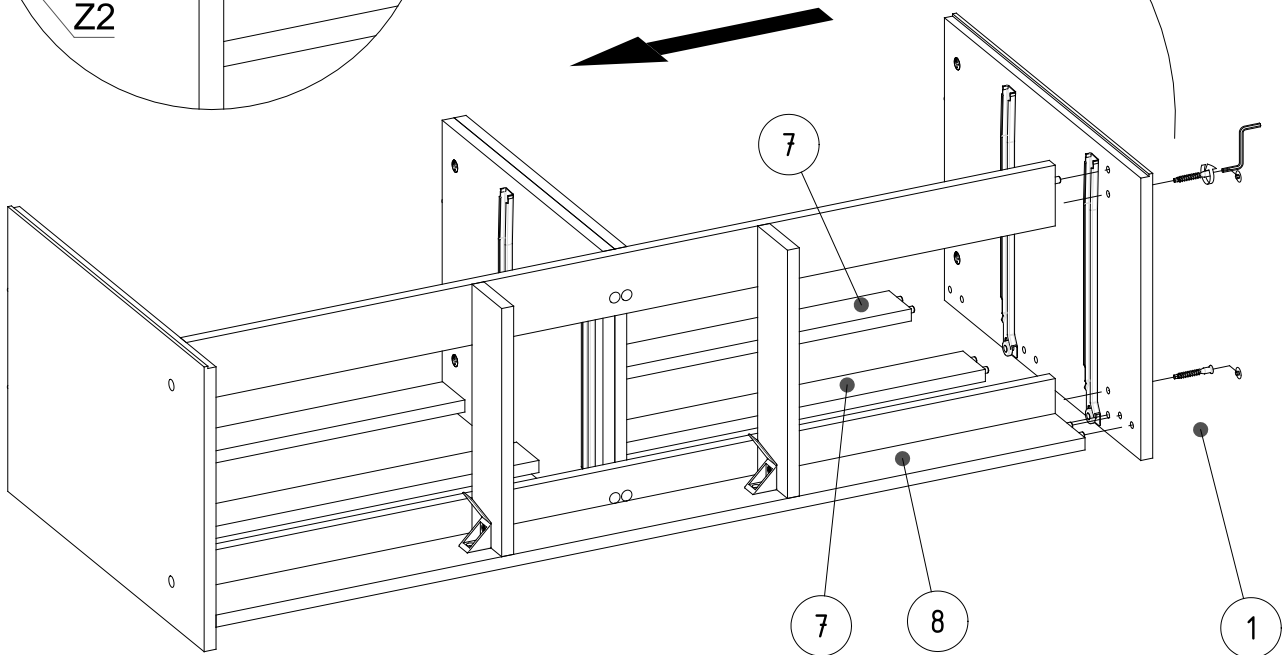
► 5

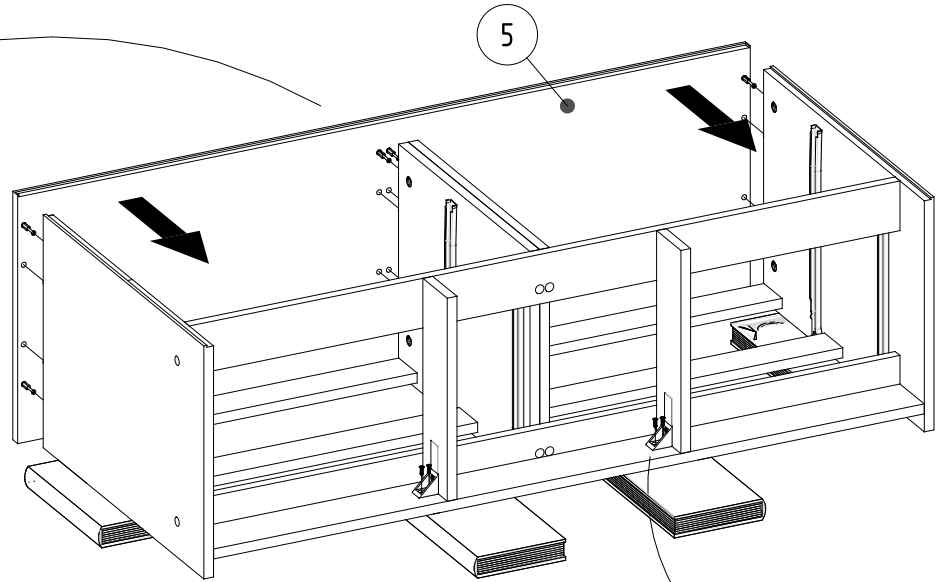
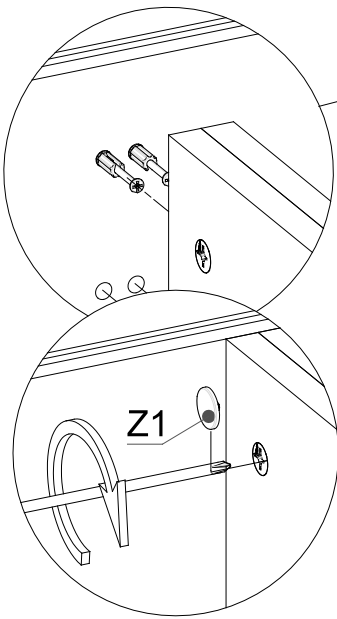
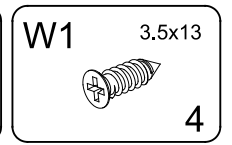
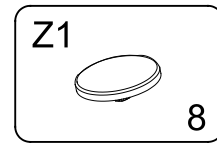
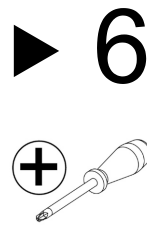
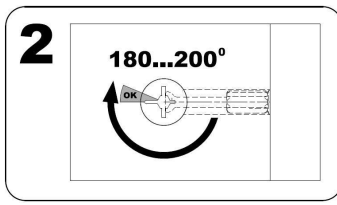
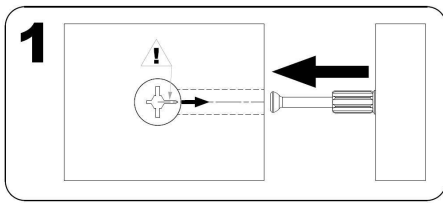


1)

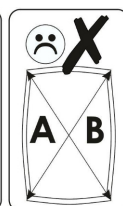
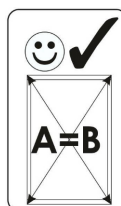
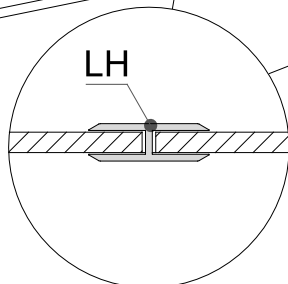
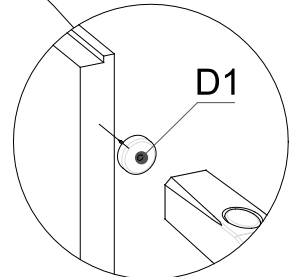
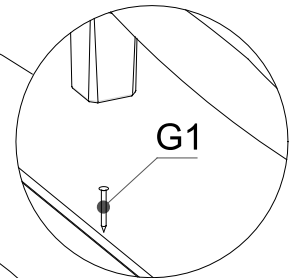
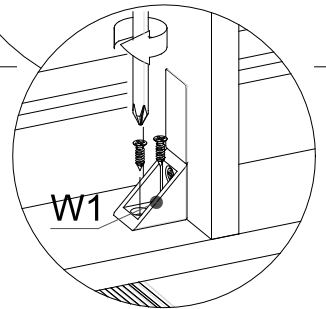
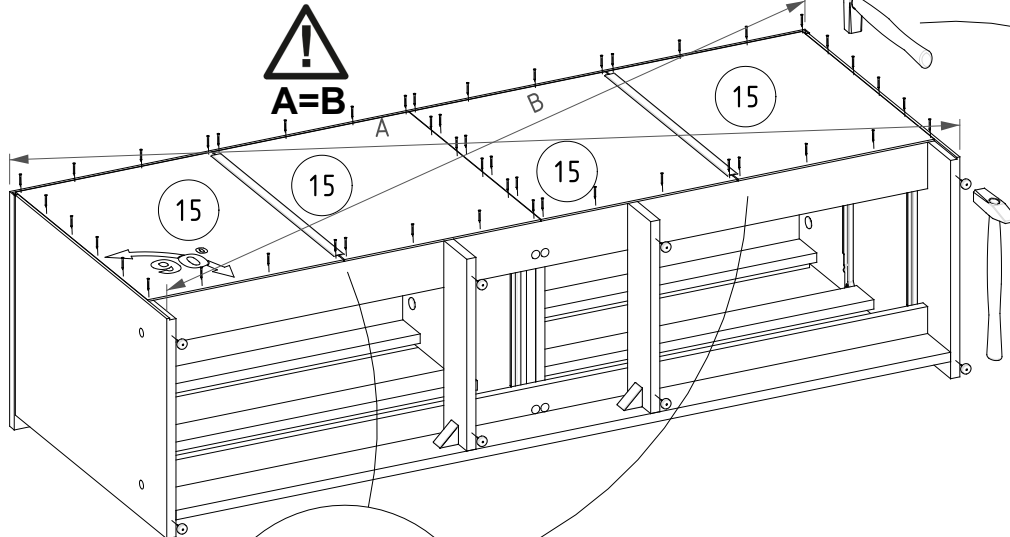
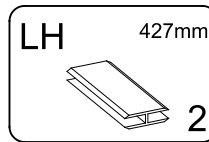
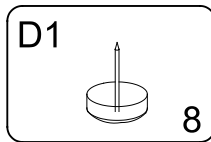
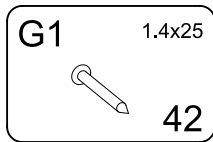


2)

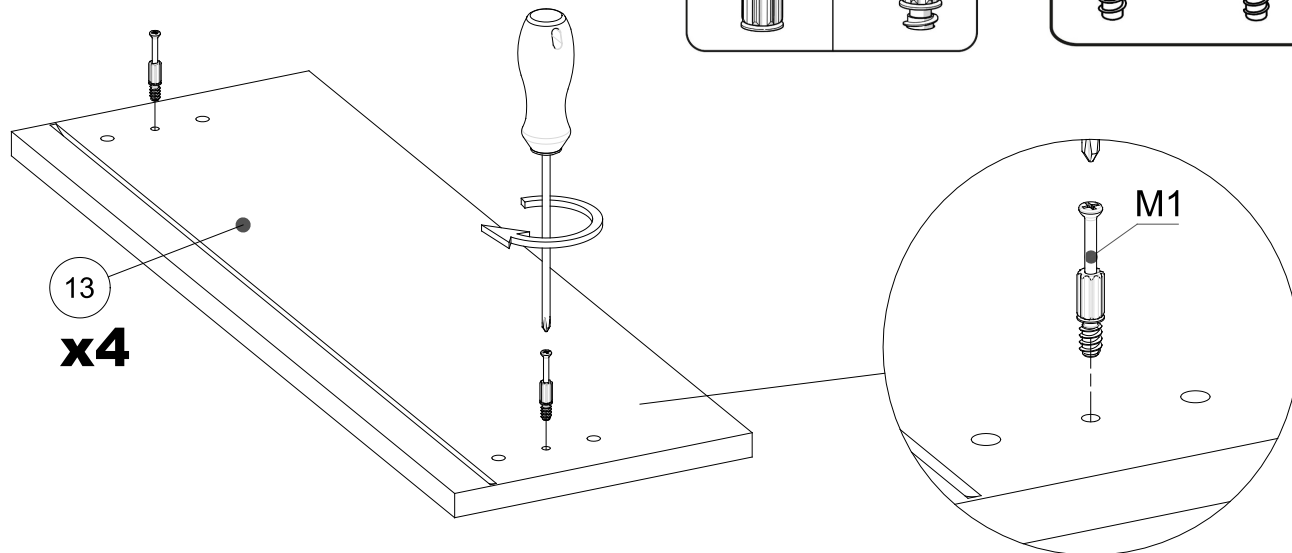
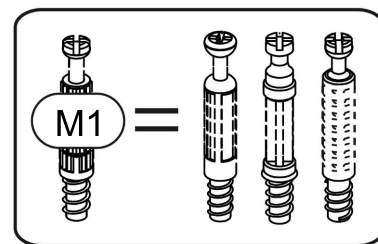
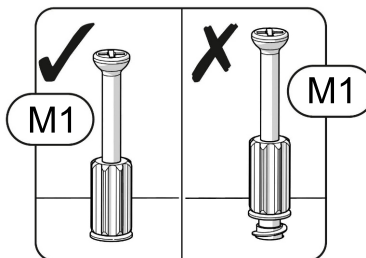
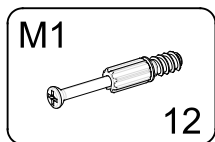
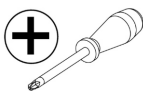




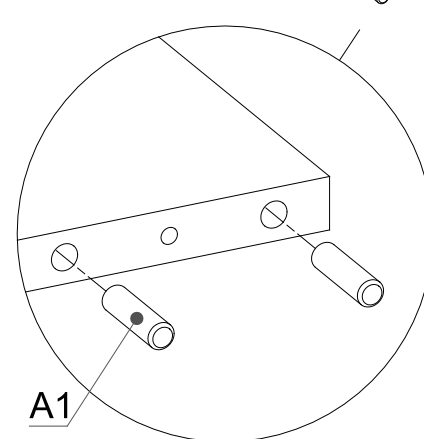
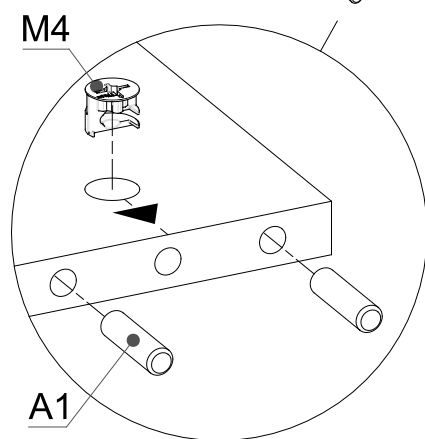
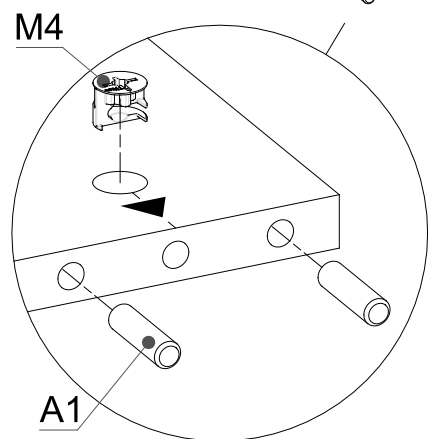
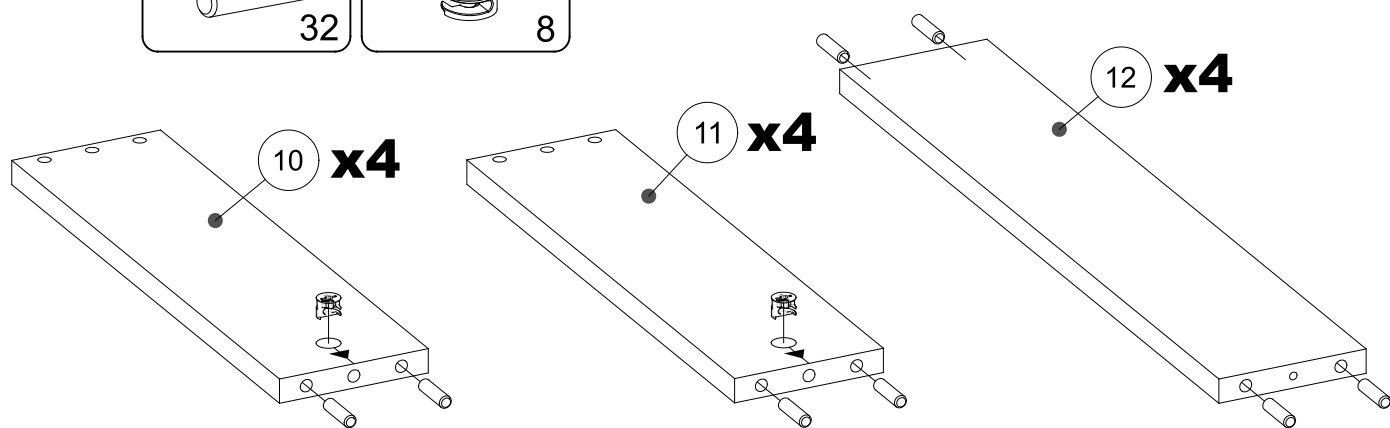
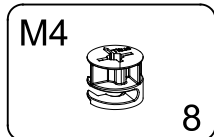
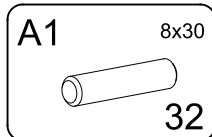
7



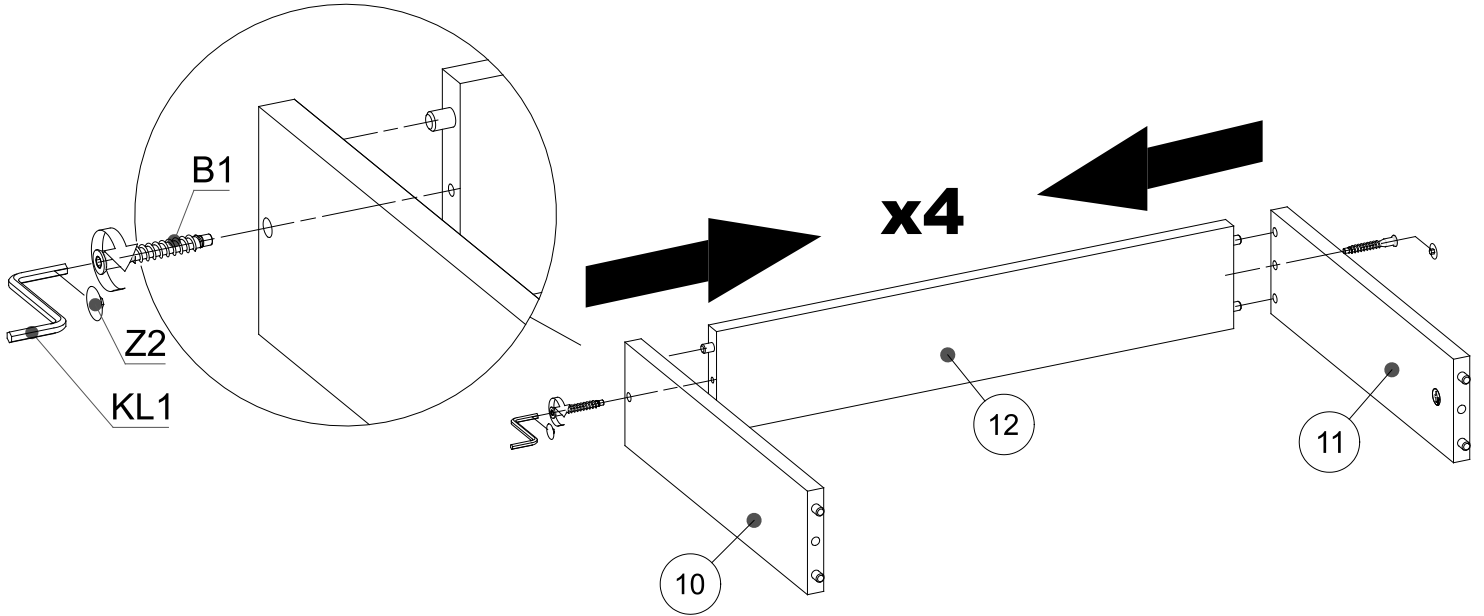
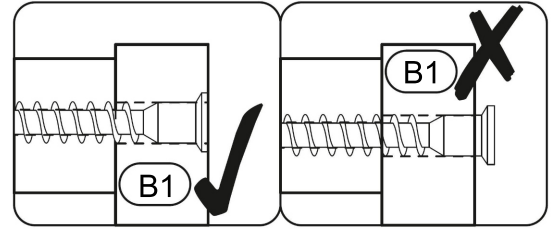
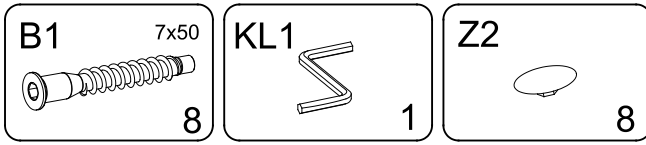
▶ 8



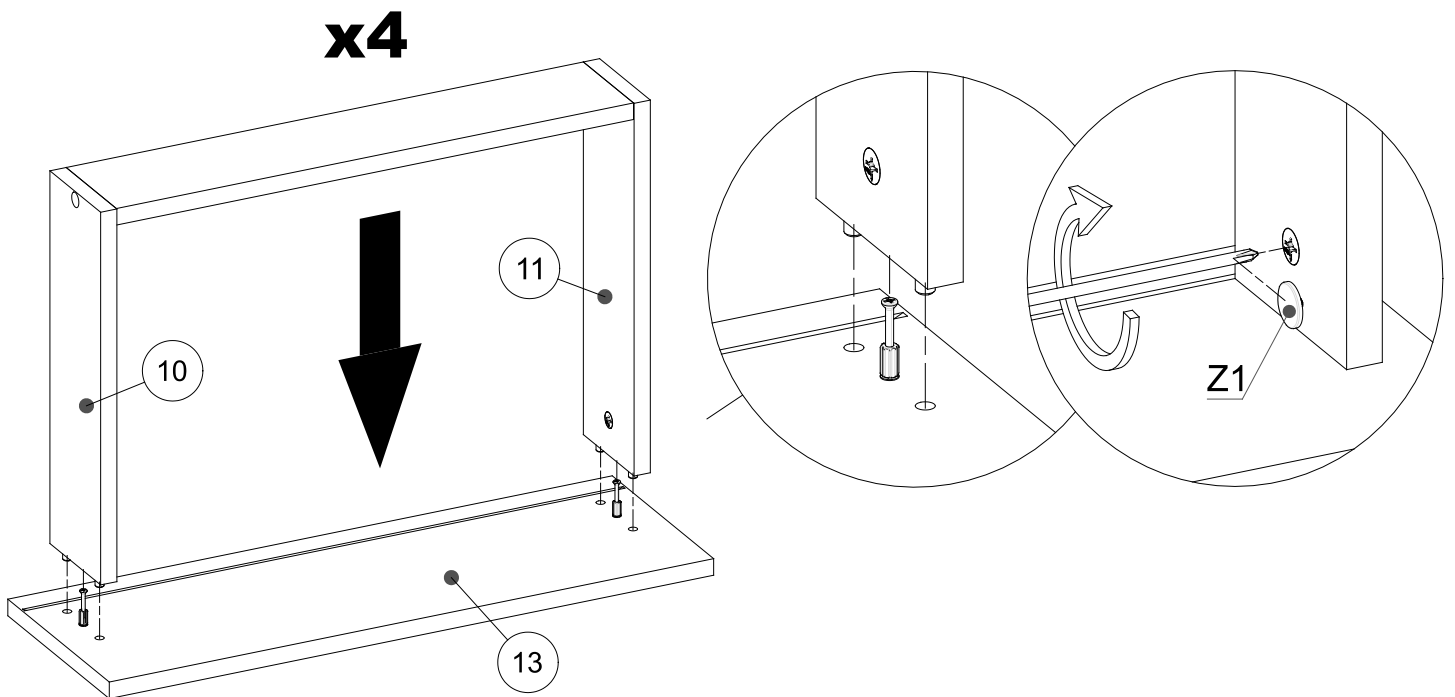
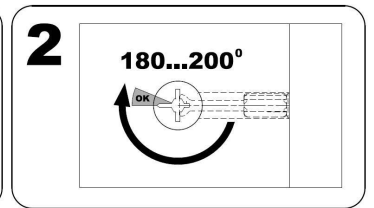
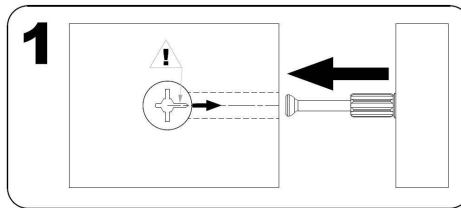
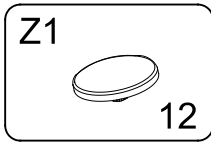
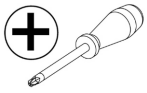
▶ 9



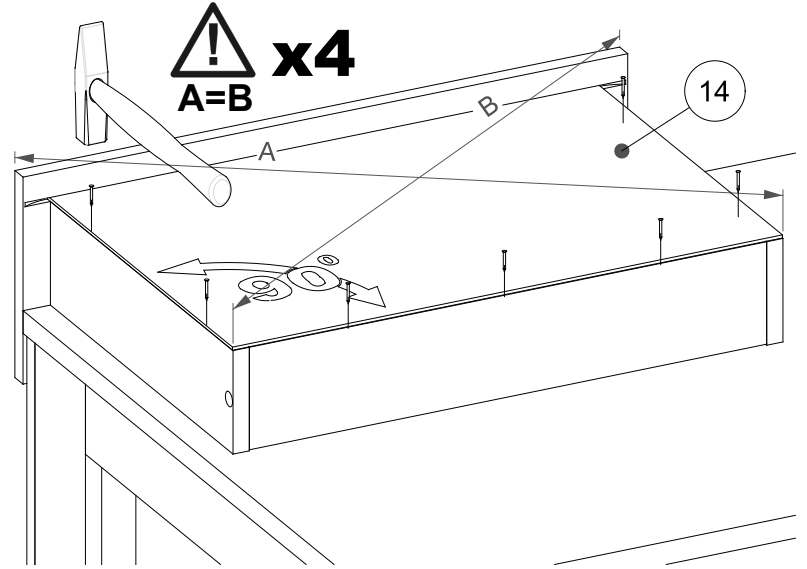
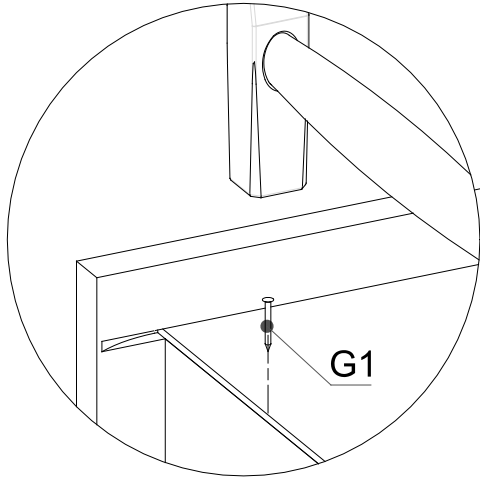
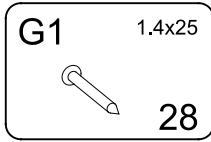
▶ 10



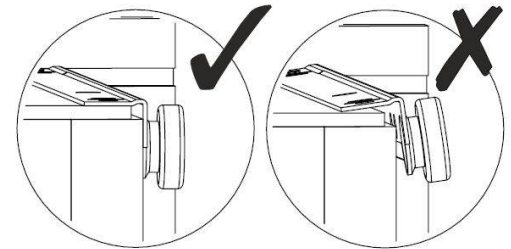
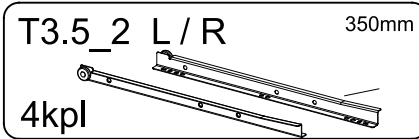
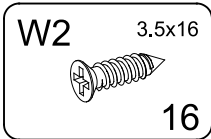
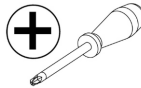
▶ 11



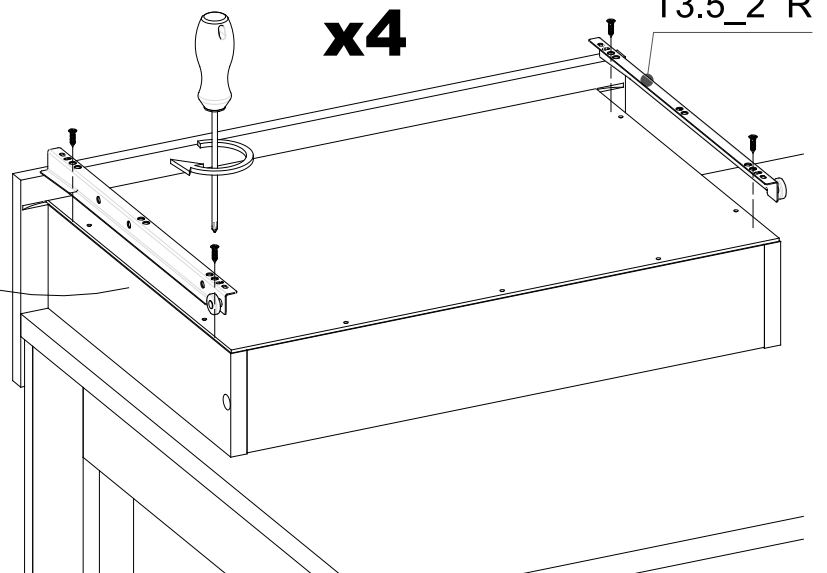
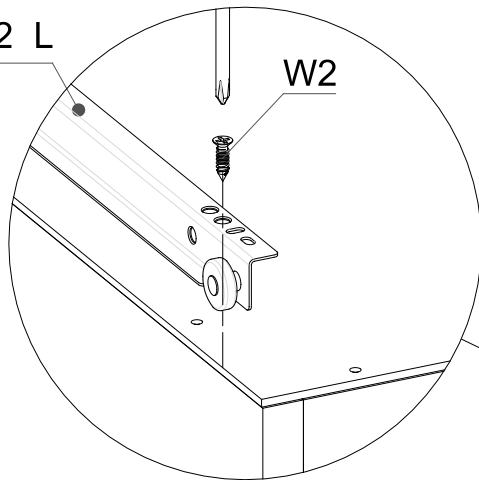
▶ 12



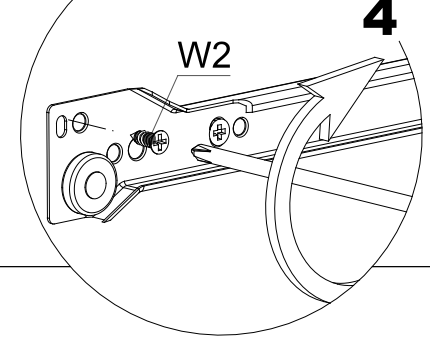
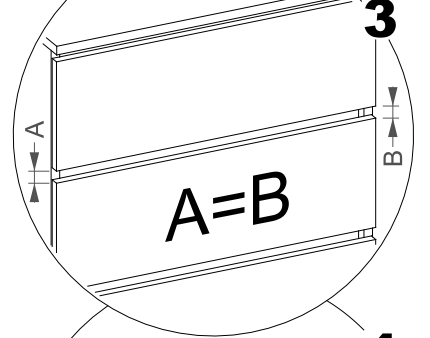
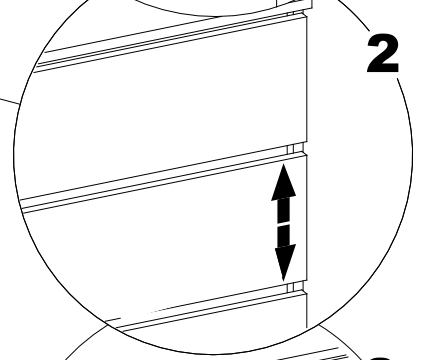
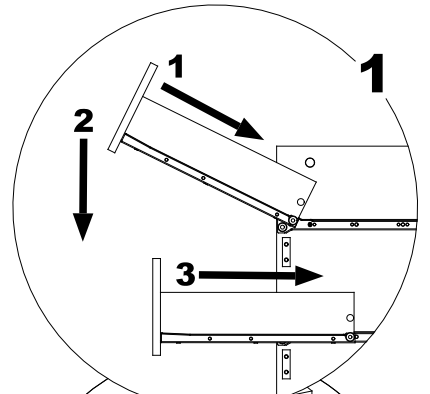
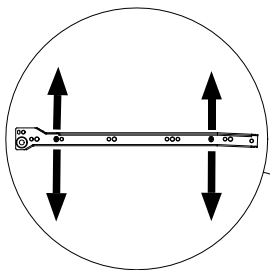
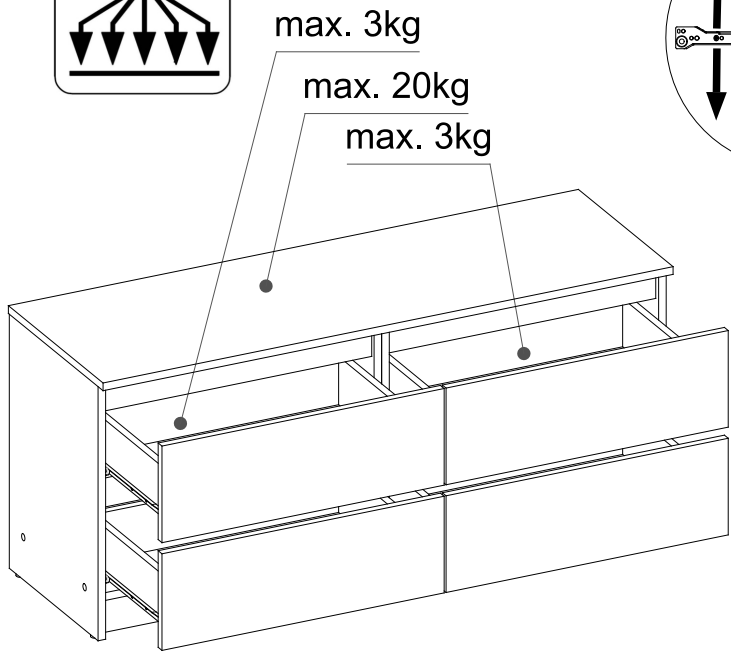
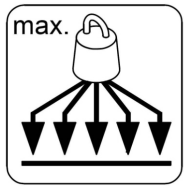
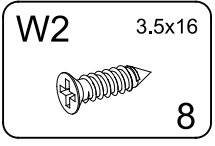
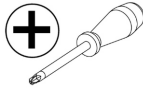
▶ 13



T3.5_2 L



▶ 14



✓ ! ✗

