

<b>+8x30mm</b>
<b>A</b>
<b>16</b>

<b>+15/12mm</b>	<b>L=20mm</b>
<b>C</b>	<b>D2</b>
<b>12</b>	<b>12</b>

<b>+20</b>
<b>E11</b>
<b>8</b>

<b>6.5x48x16</b>
<b>F2</b>
<b>4</b>

<b>+5/16mm</b>
<b>J3</b>
<b>12</b>

<b>L</b>
<b>16</b>

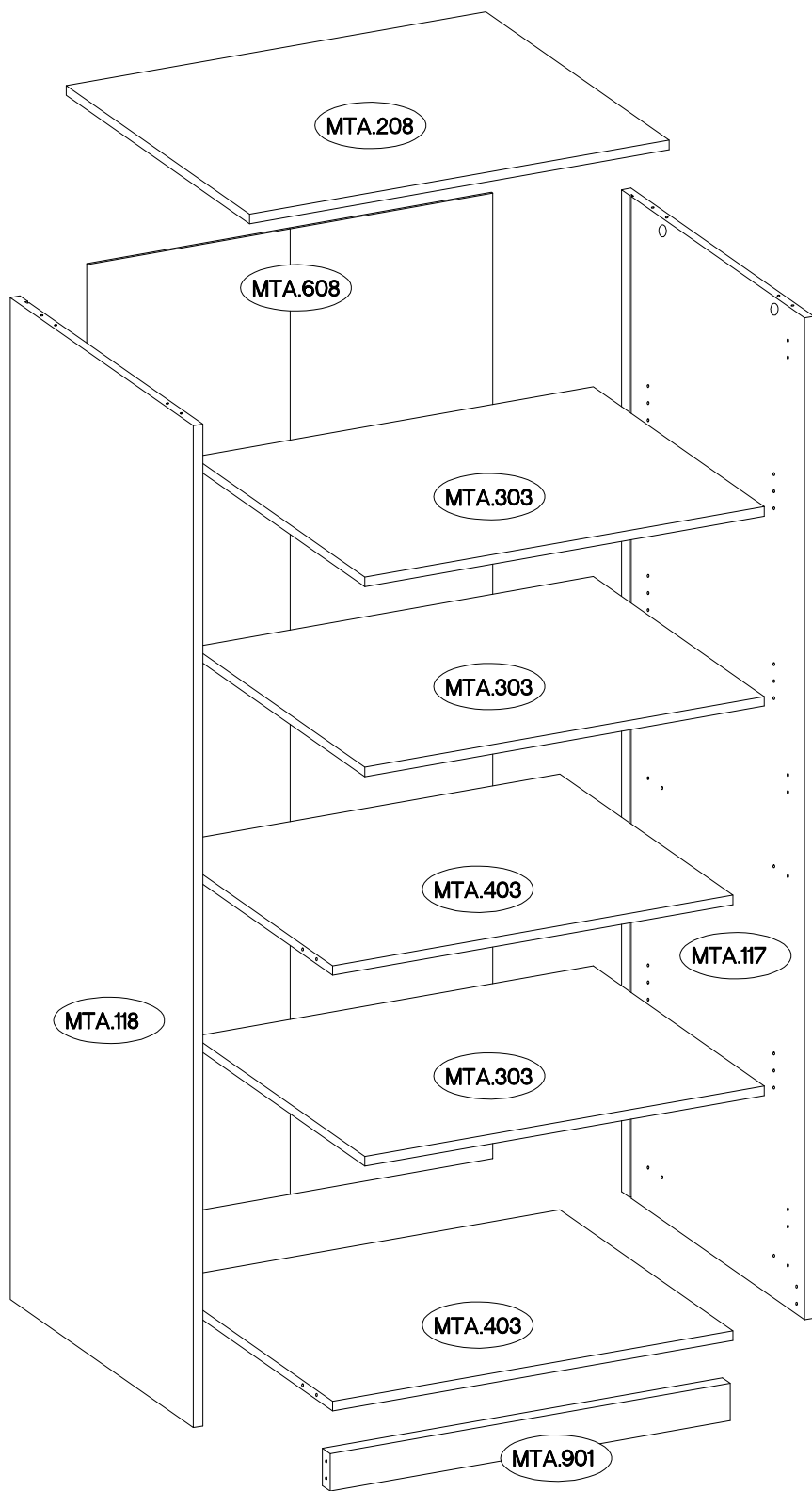
<b>L9</b>
<b>1</b>

<b>+5</b>
<b>M10</b>
<b>2</b>

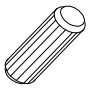

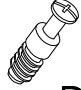
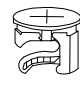
<b>+10x50mm</b>
<b>O7</b>
<b>1</b>

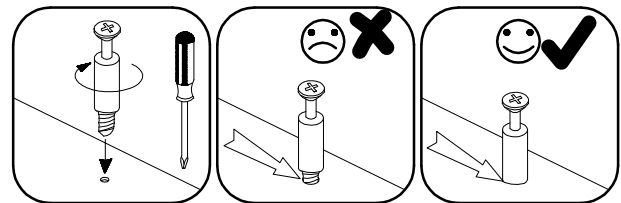
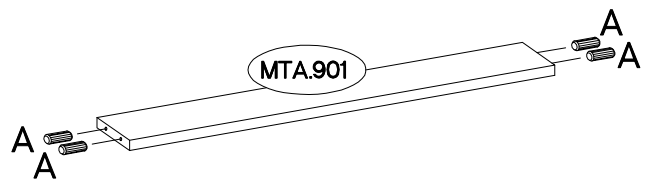
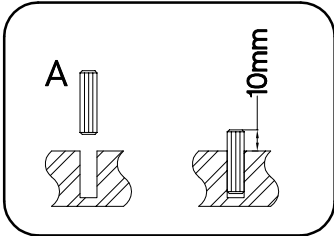
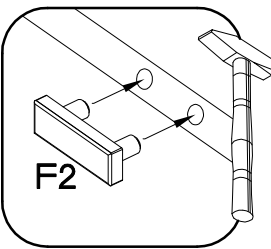
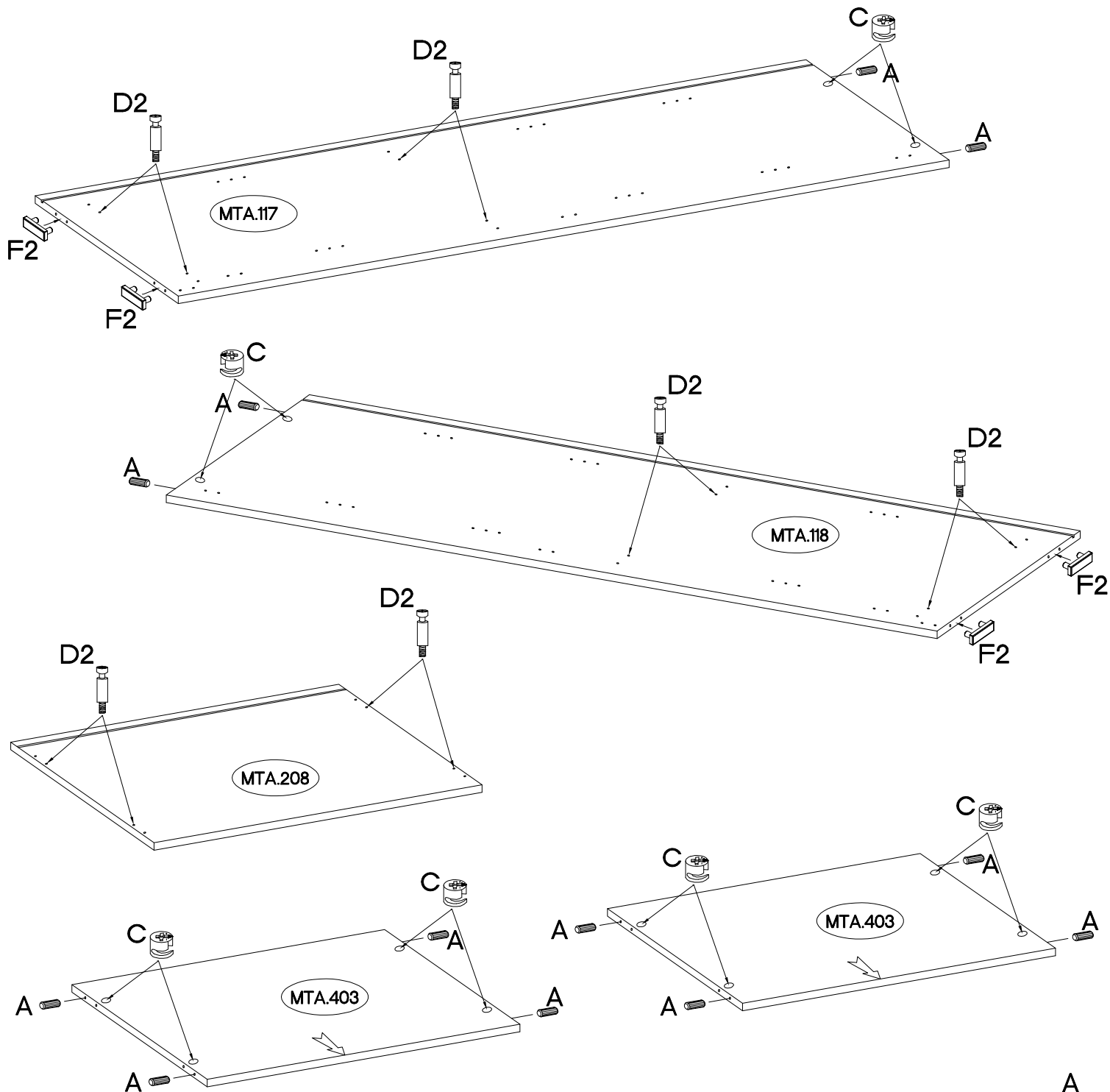
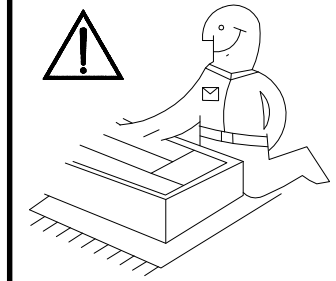
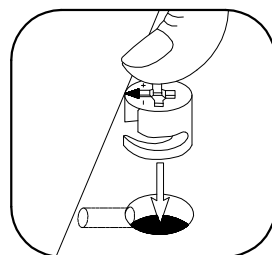
<b>+3.5x13mm</b>
<b>P5</b>
<b>1</b>

<b>+3.0x20mm</b>
<b>P7</b>
<b>12</b>

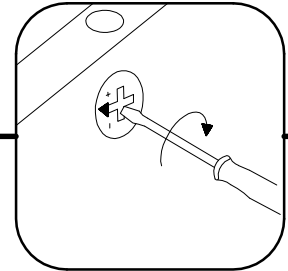
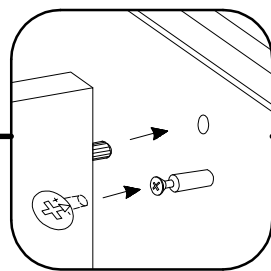
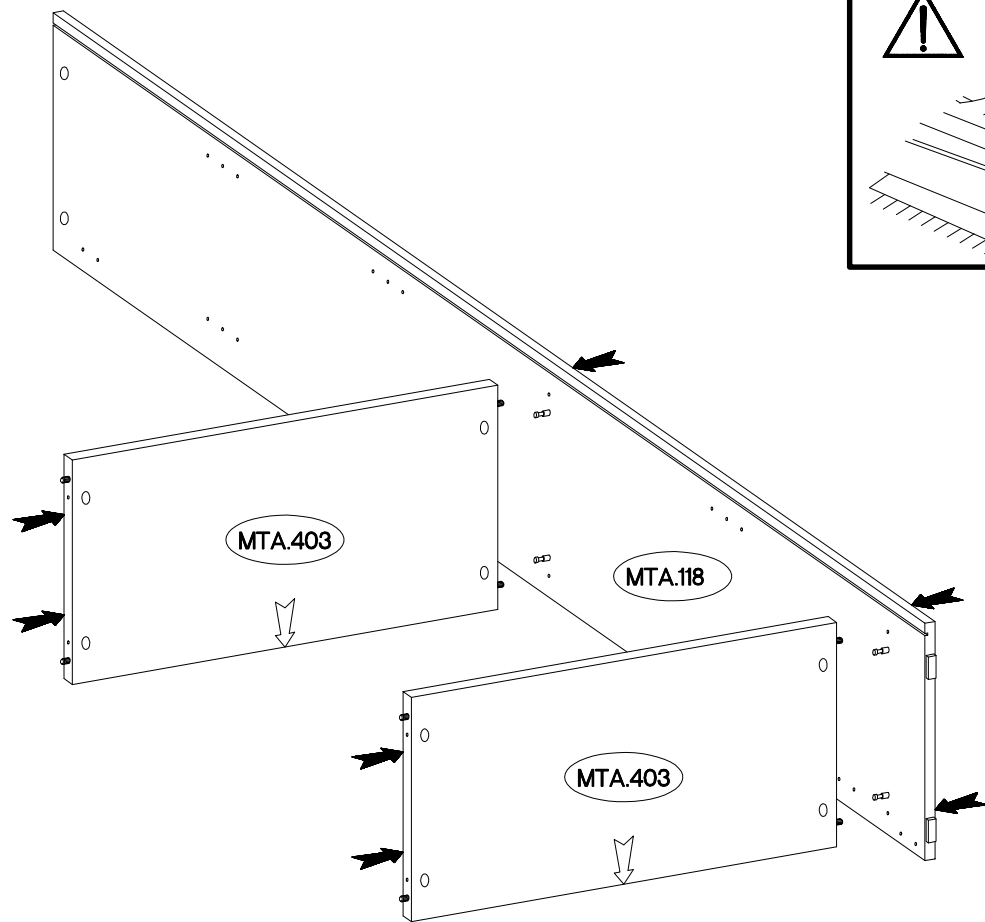
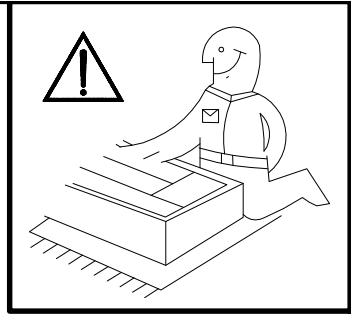


MTA.117	1878x419x18
MTA.118	1878x419x18
MTA.208	799x420x18
MTA.303 x3	761x392x18
MTA.403 x2	762x396x18
MTA.608	1810x771x2,5
MTA.901	762x70x18

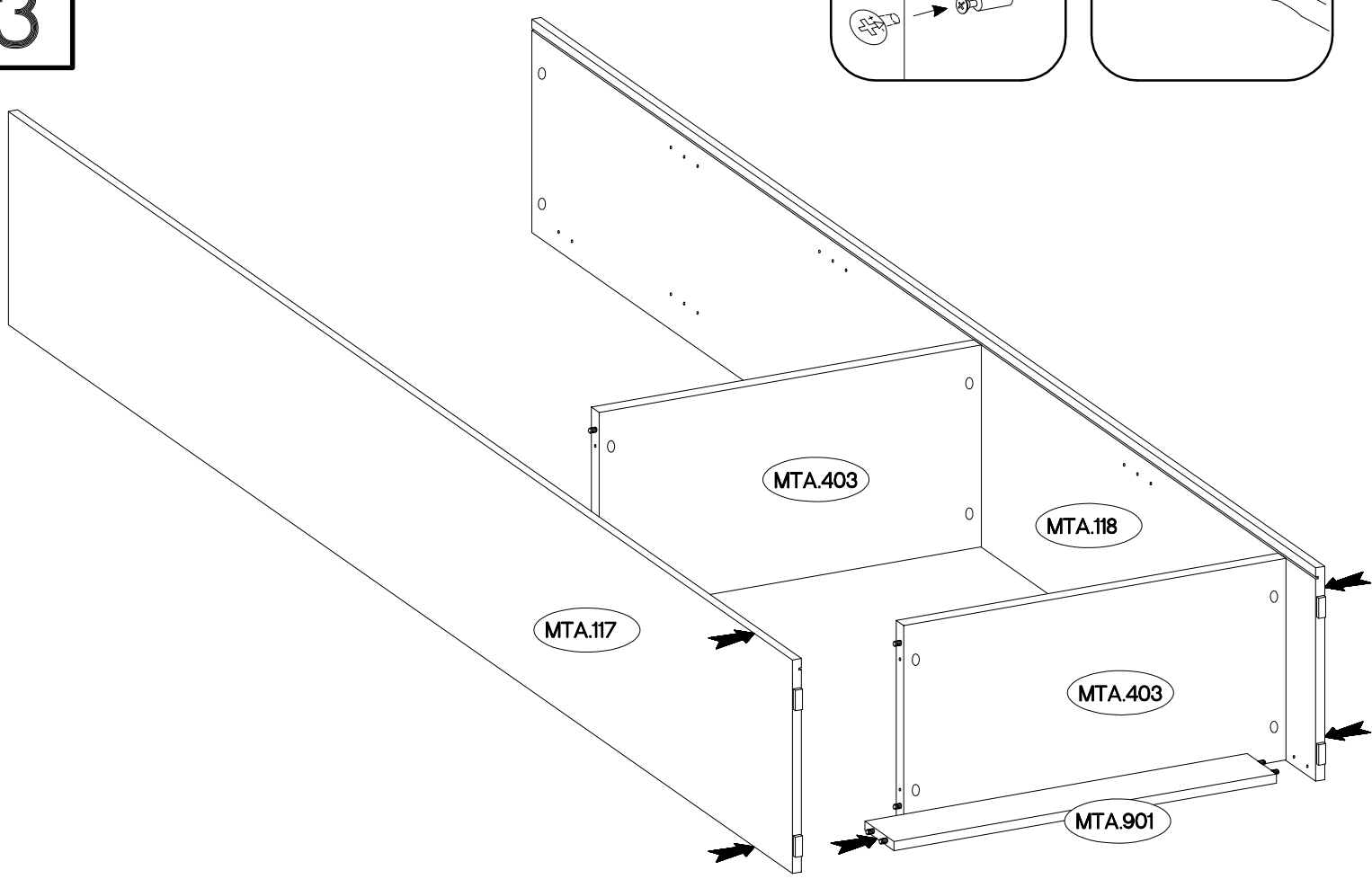
$\varnothing 8 \times 30 \text{mm}$  A 16	$6.5 \times 48 \times 16$  F2 4	$L=20 \text{mm}$  D2 12	$\varnothing 15 / 12 \text{mm}$  C 12
--	--	--	--



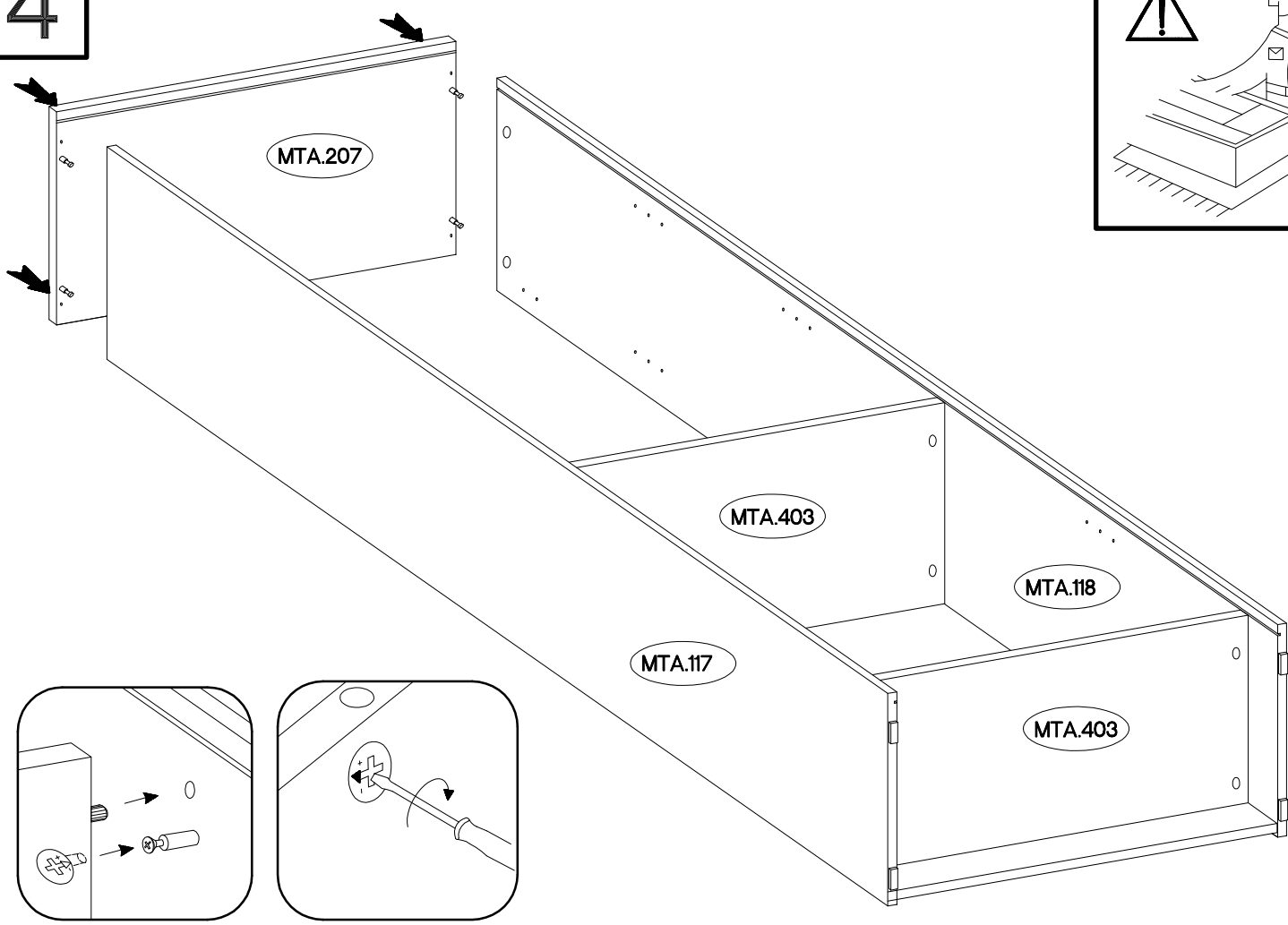
2



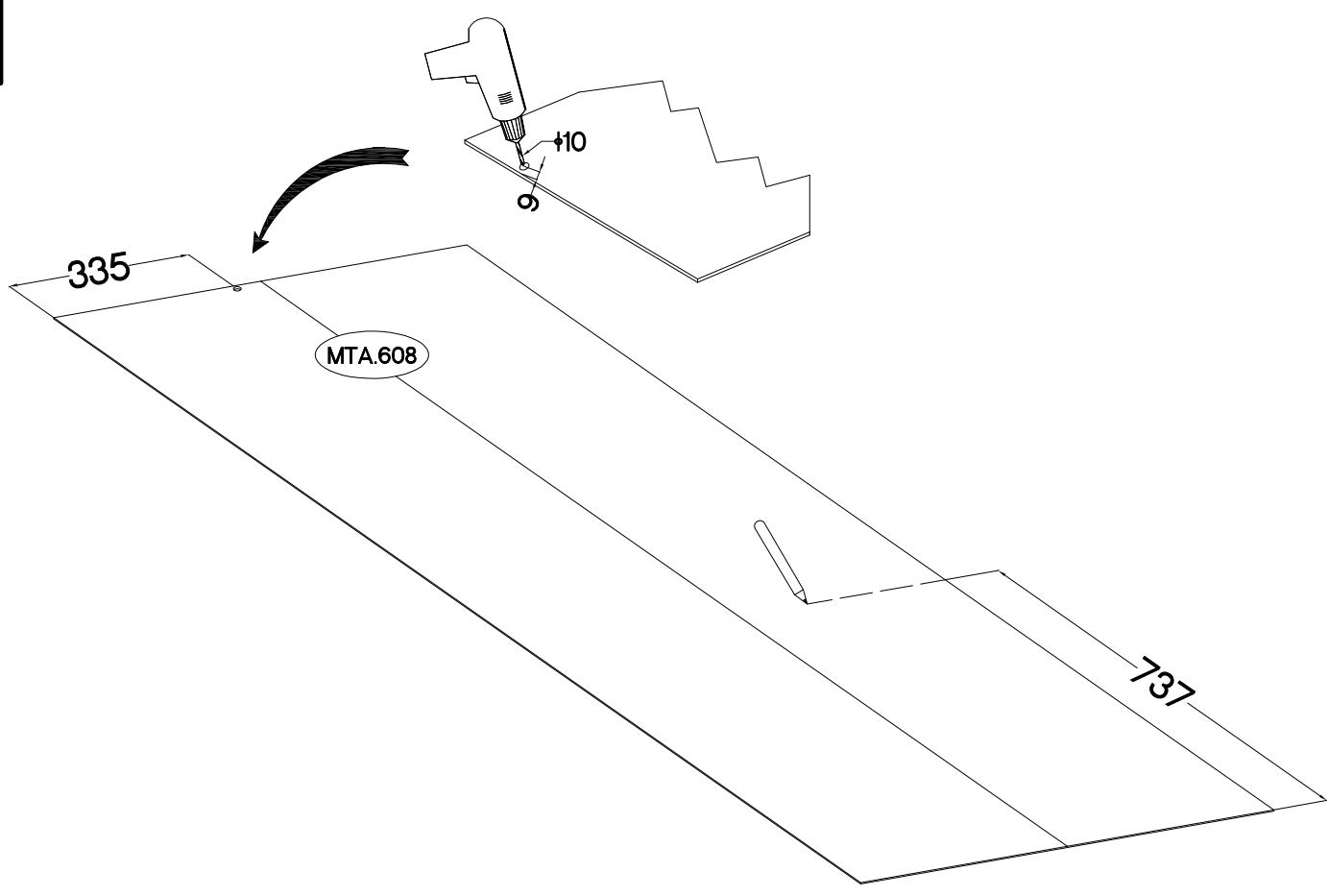
3




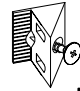
4

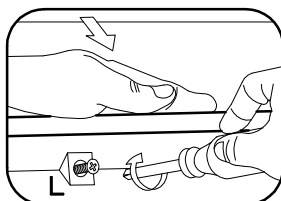
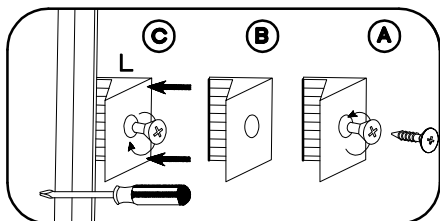
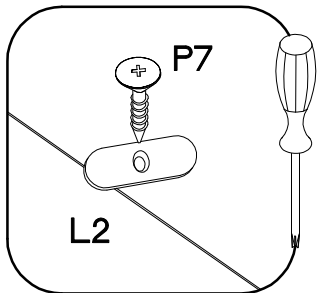
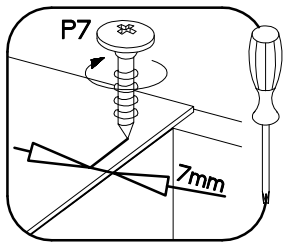
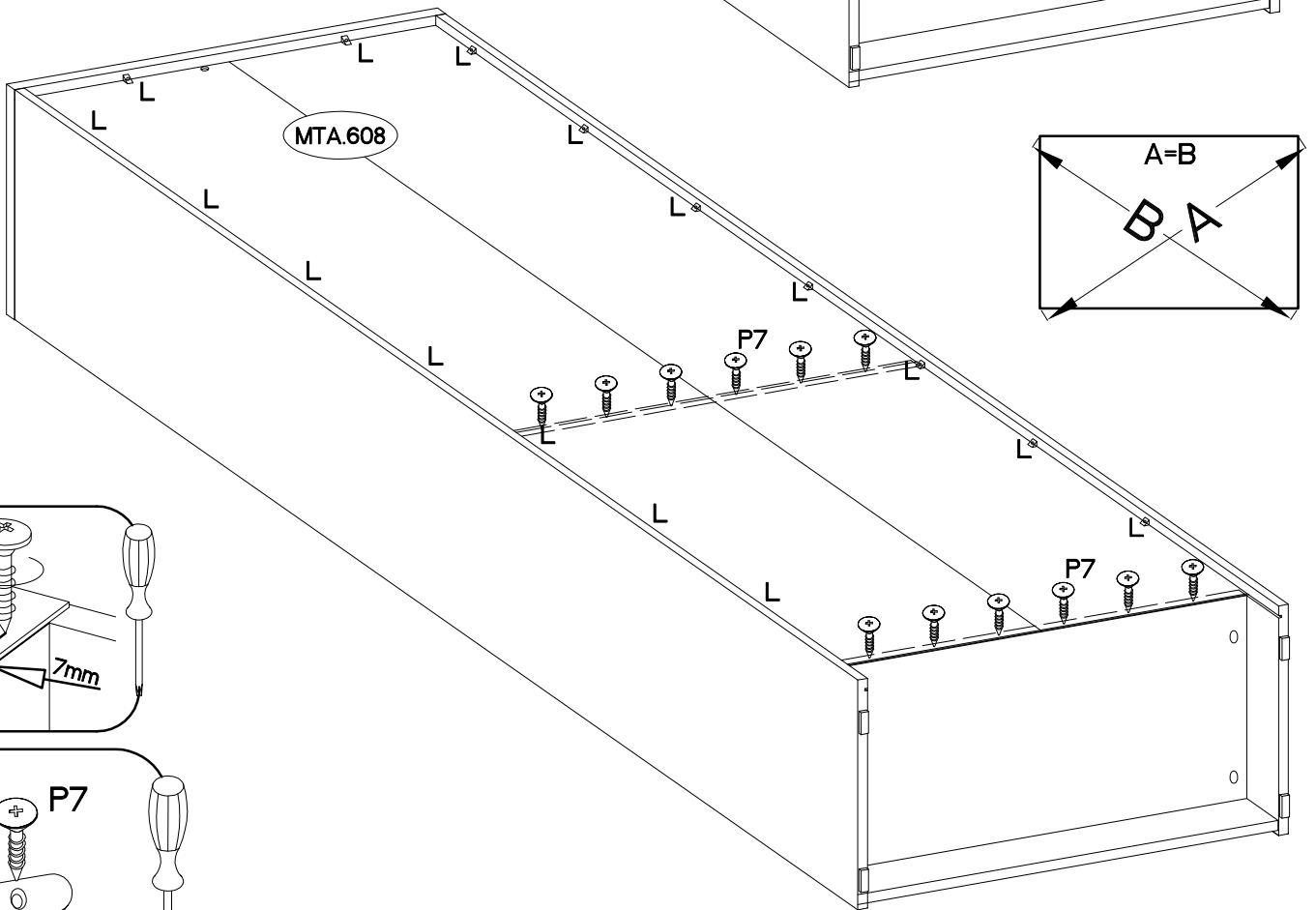
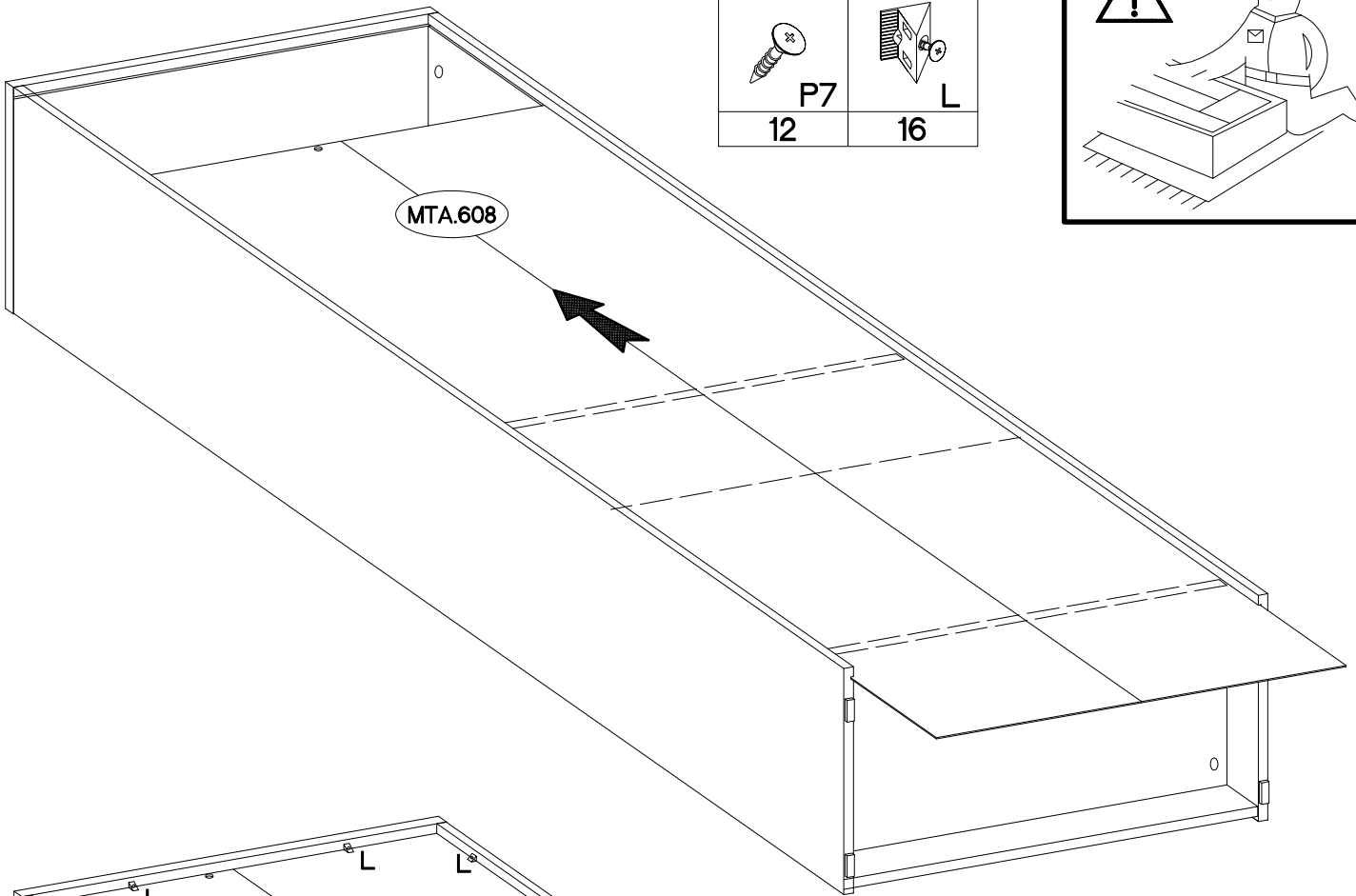
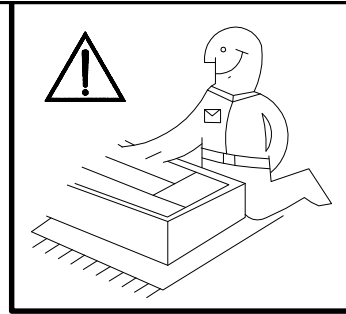


5

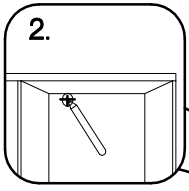


6

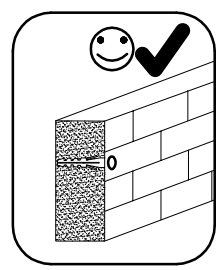
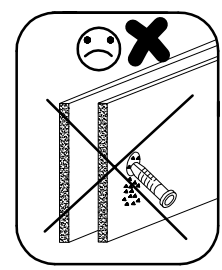
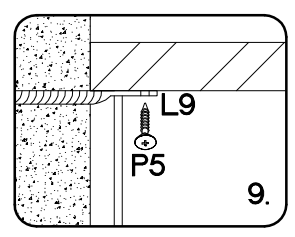
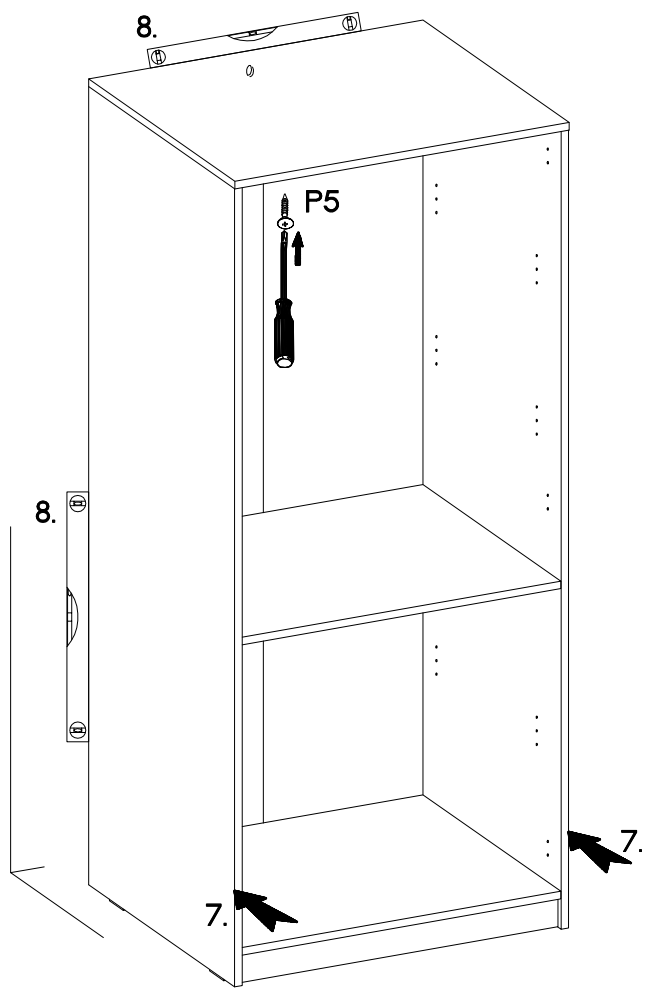
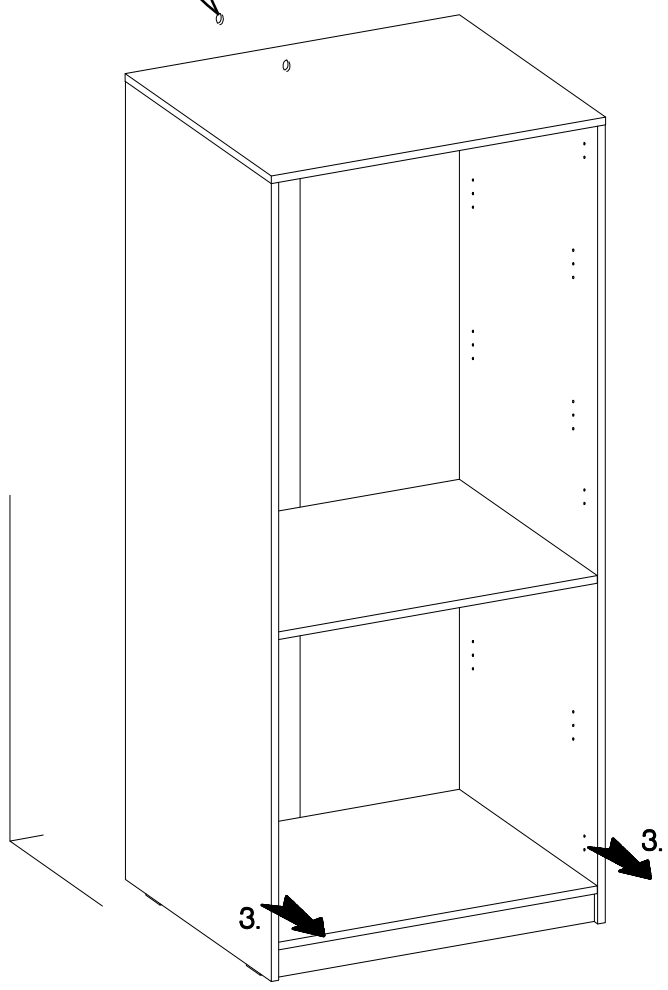
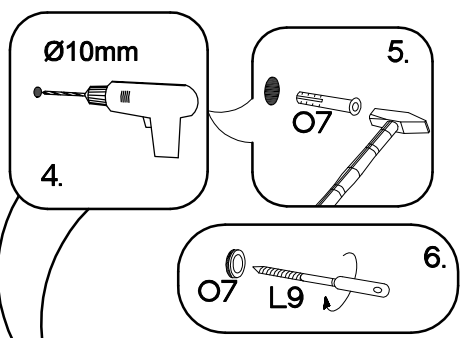
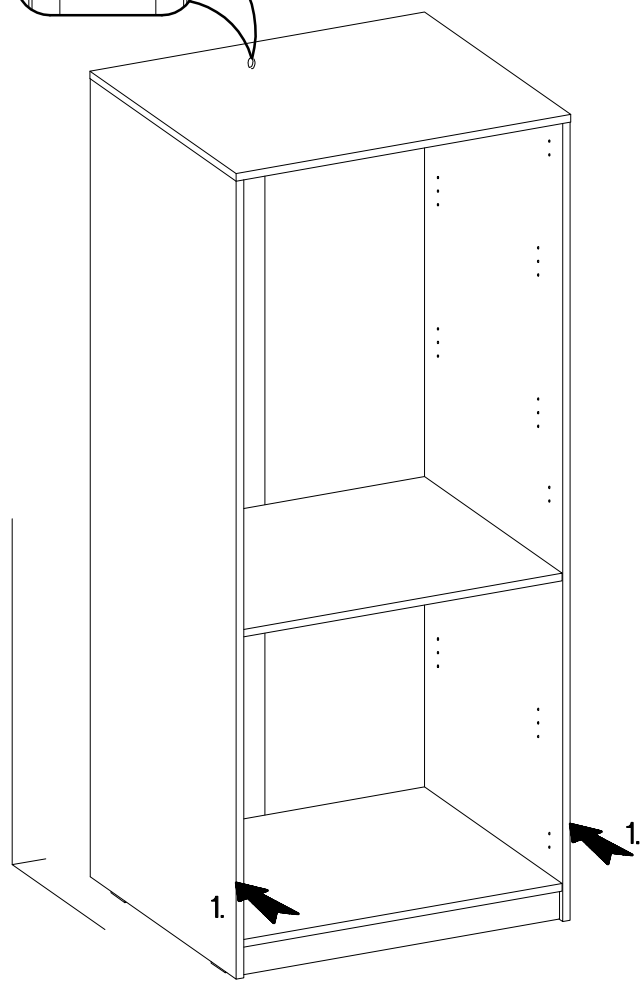
$\pm 3.0 \times 20 \text{mm}$  P7 12	 L 16
--	---

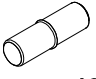
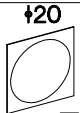


# 7



$\pm 10 \times 50 \text{mm}$ 		$\pm 3.5 \times 13 \text{mm}$ 
O7	L9	P5
1	1	1



 <p>±5/16mm J3</p>	 <p>±20 E11</p>
12	8

