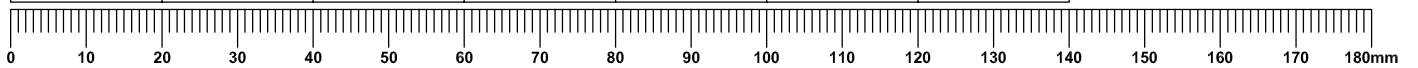
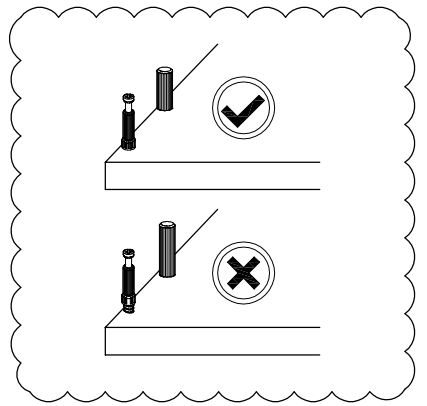
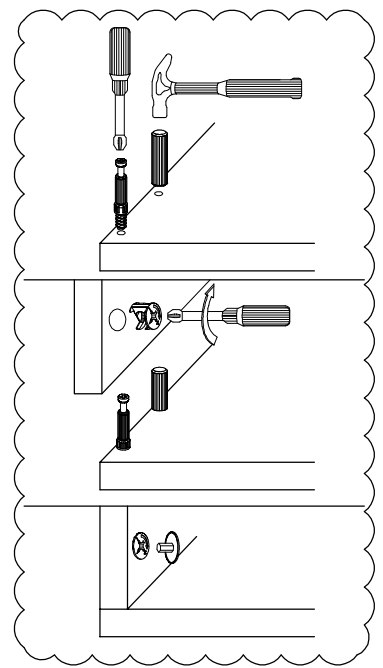
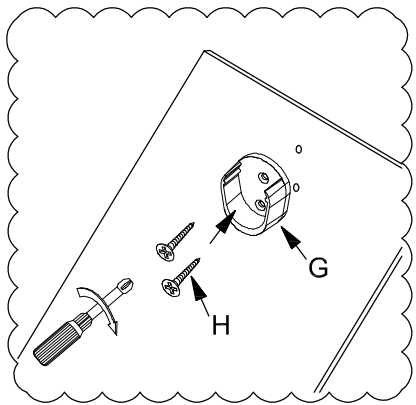
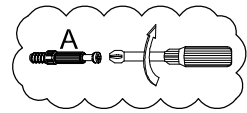
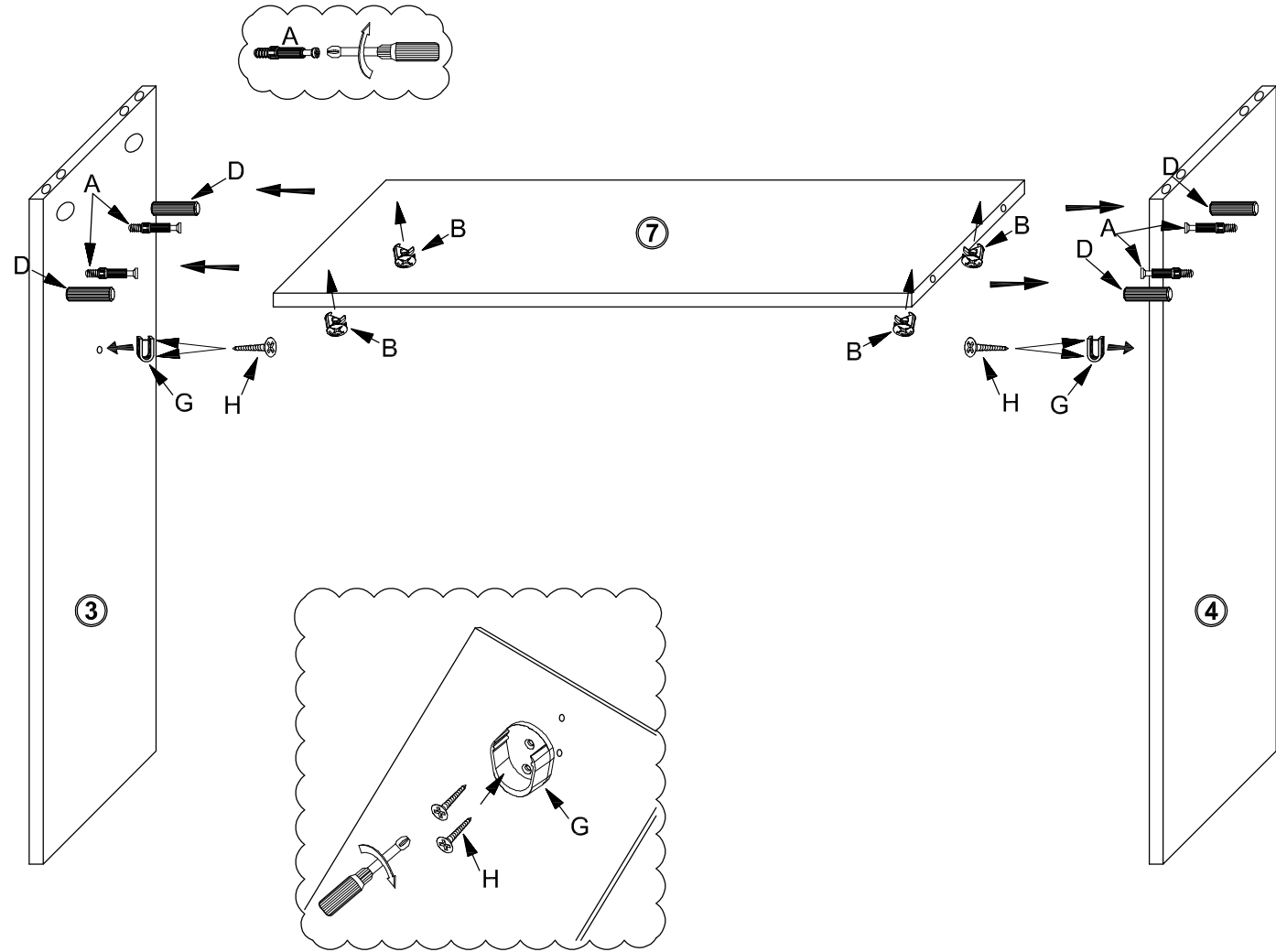








33   A	33   B	33   C	38   D	24   E	14   F	
2 kpl   N	2   G	1   I	4   K	1   L	1   M	1   N



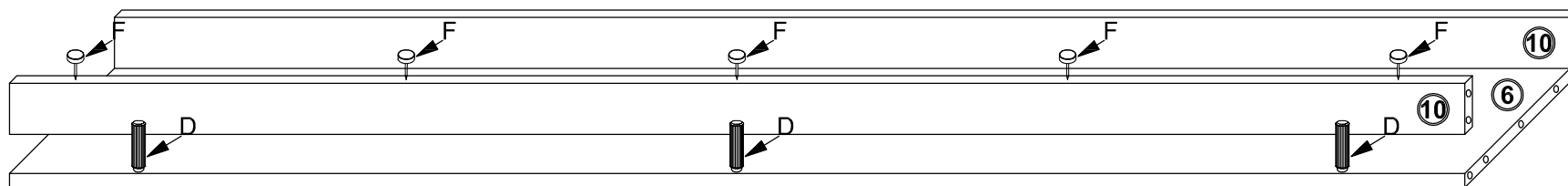
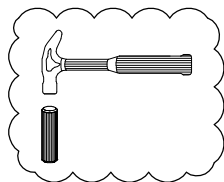
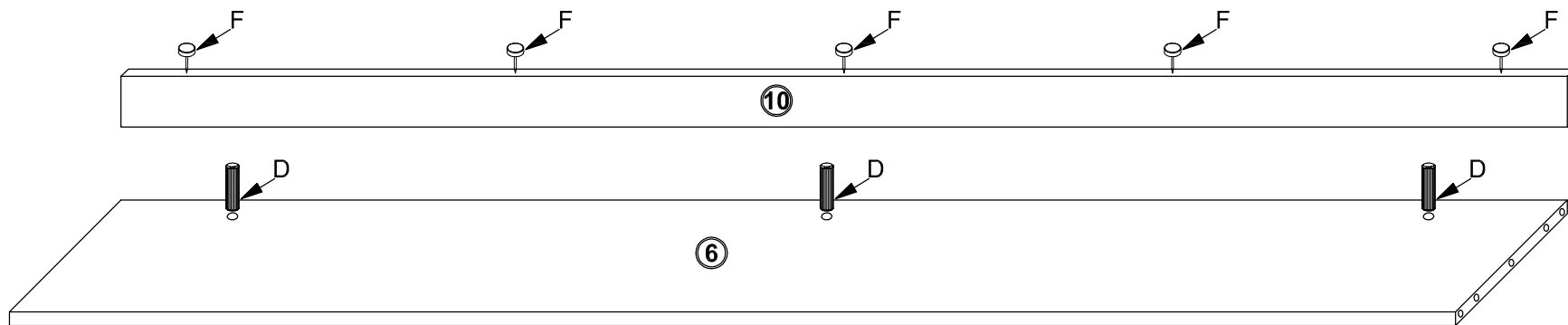
1





					
4   A	4   B	4   C	4   D	2   G	4   H





W3,5x13

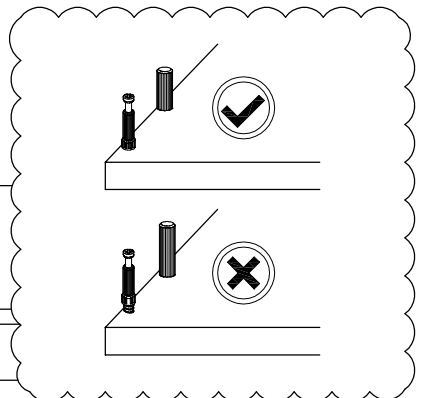
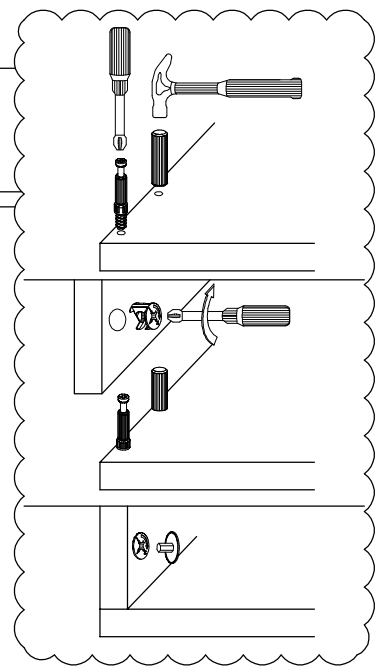
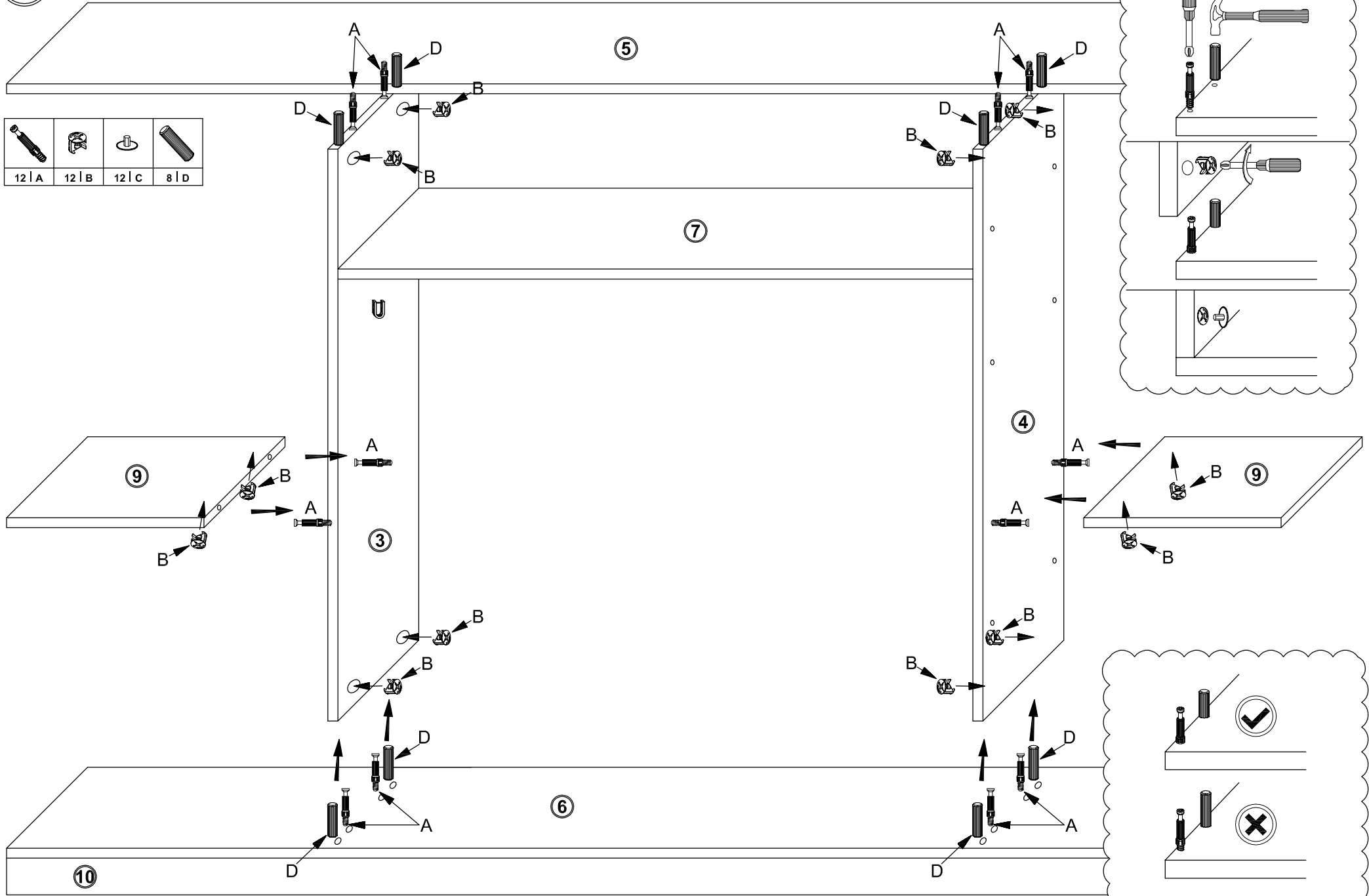
2



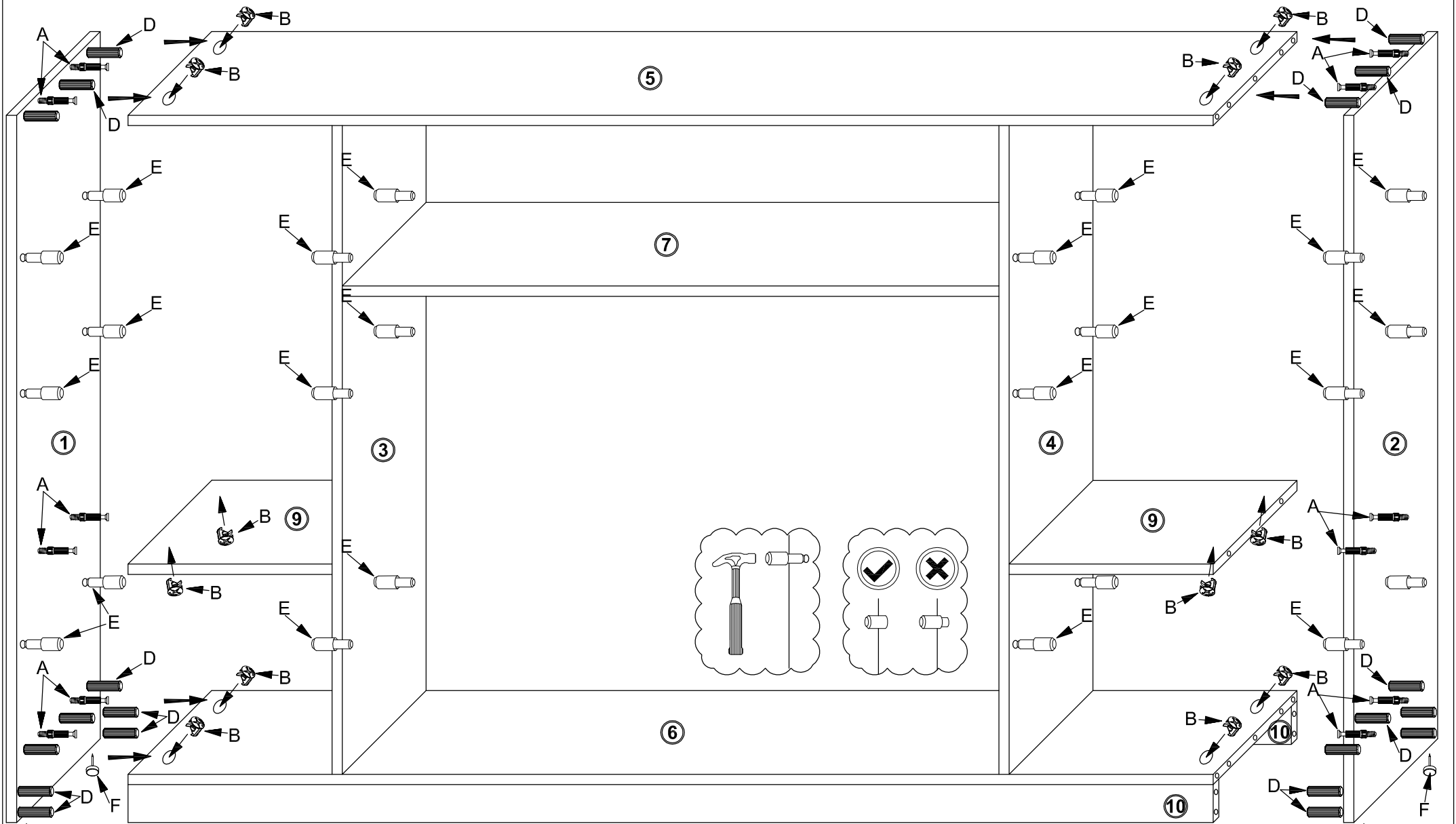
	
6   D	10   F

3

			
12   A	12   B	12   C	8   D



4

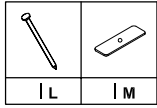
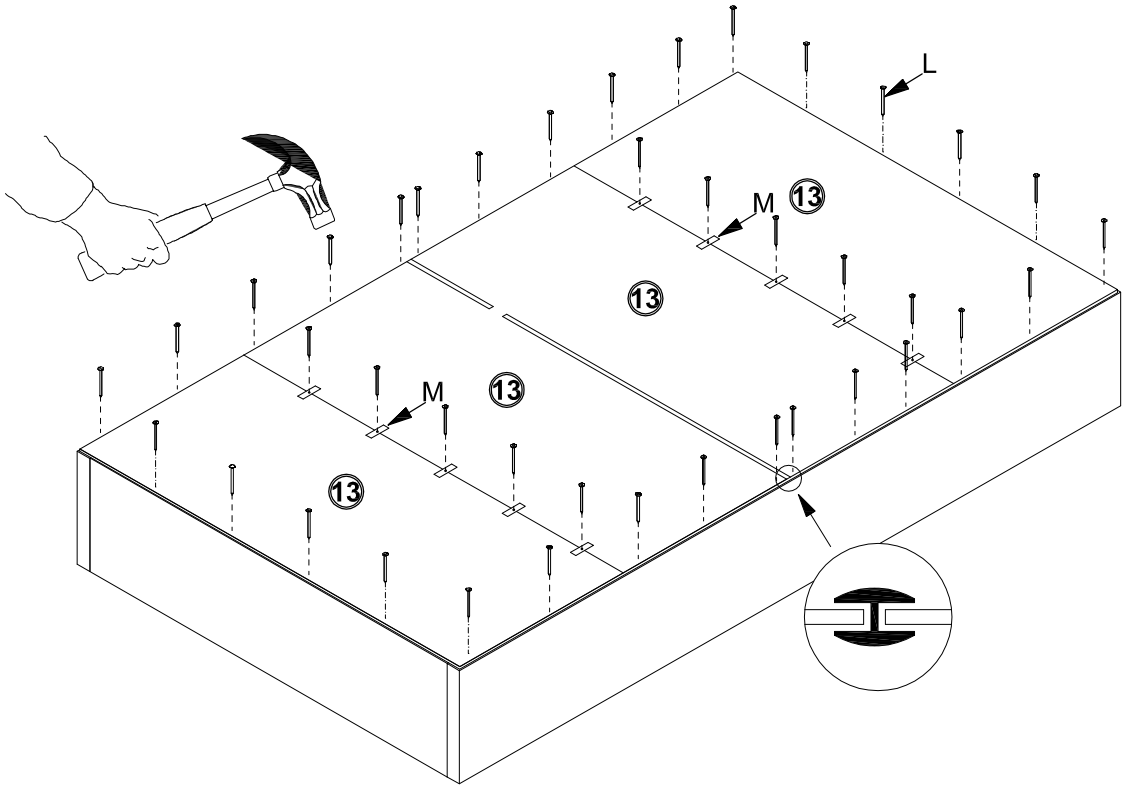
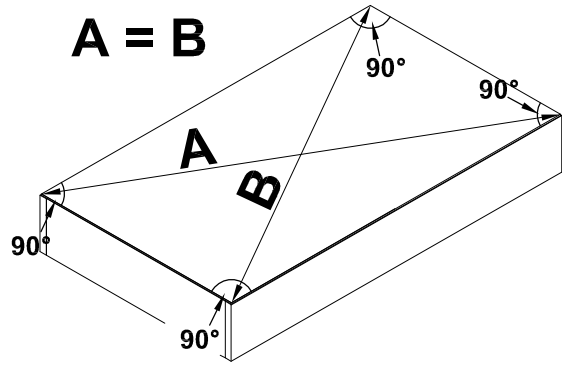


12   A	12   B	12   C	20   D	24   E	4   F

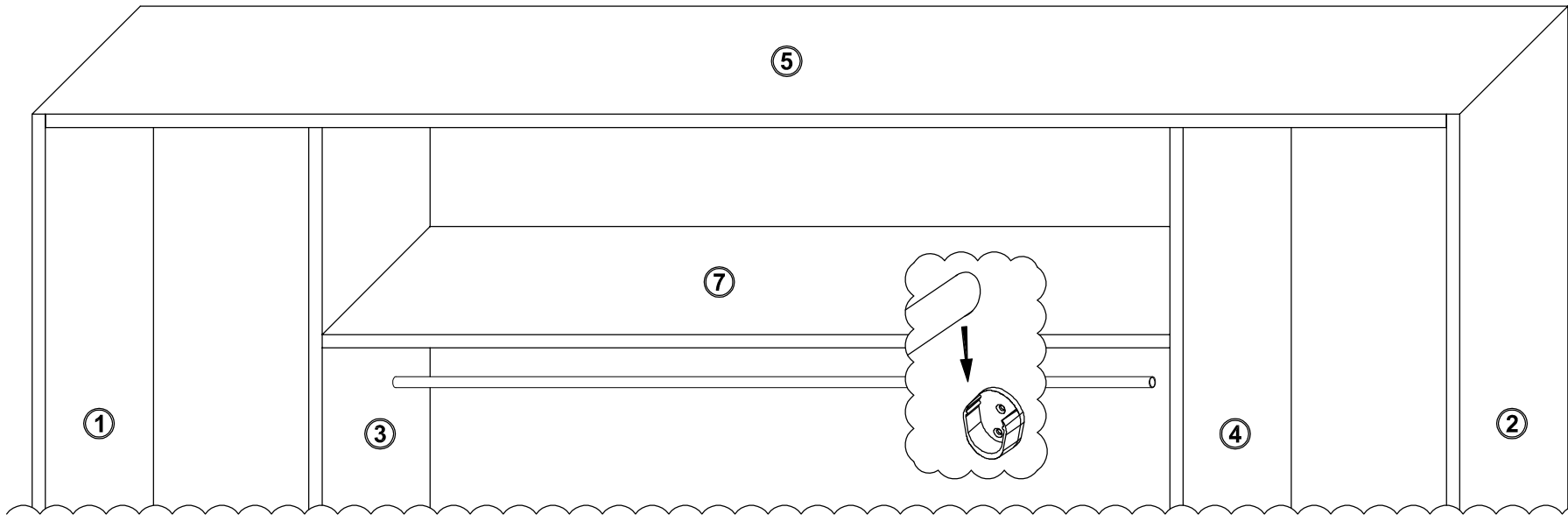
5

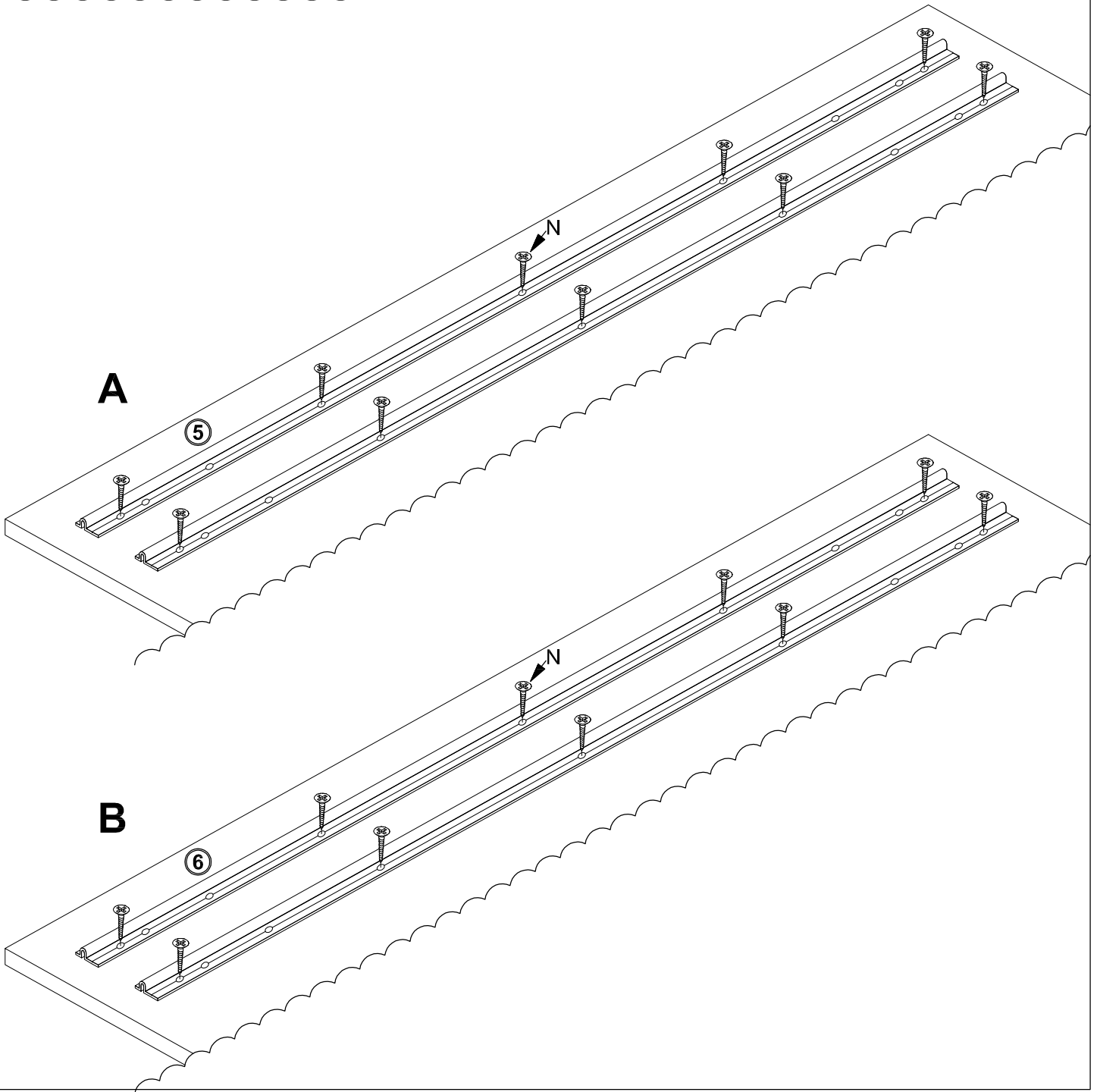
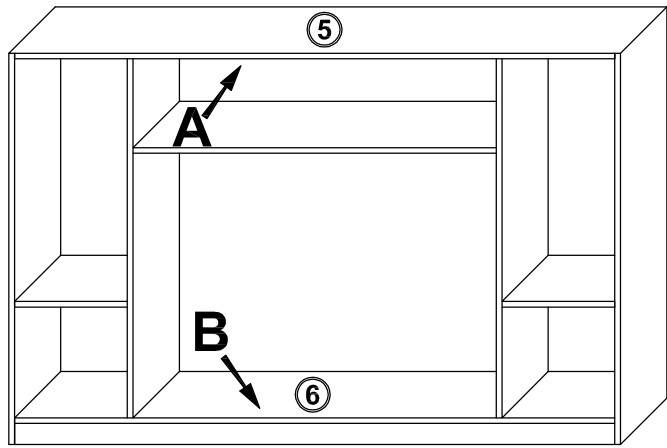
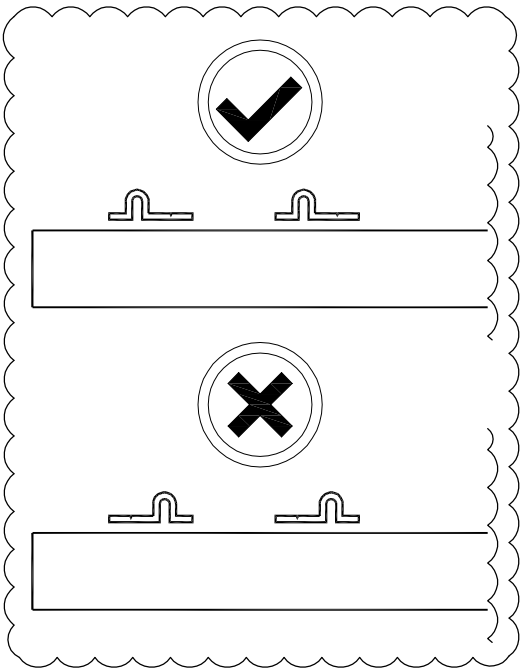


A = B



6



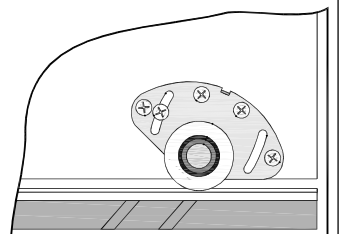
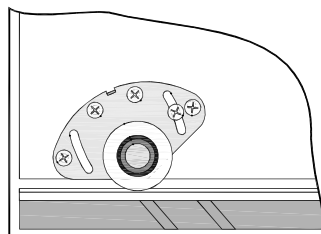
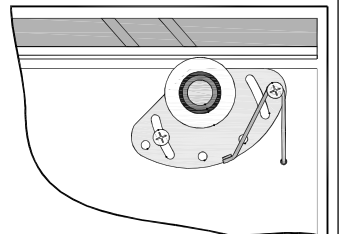
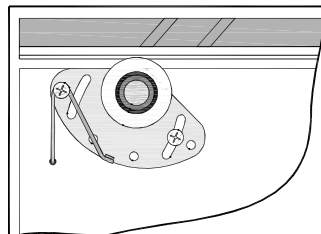
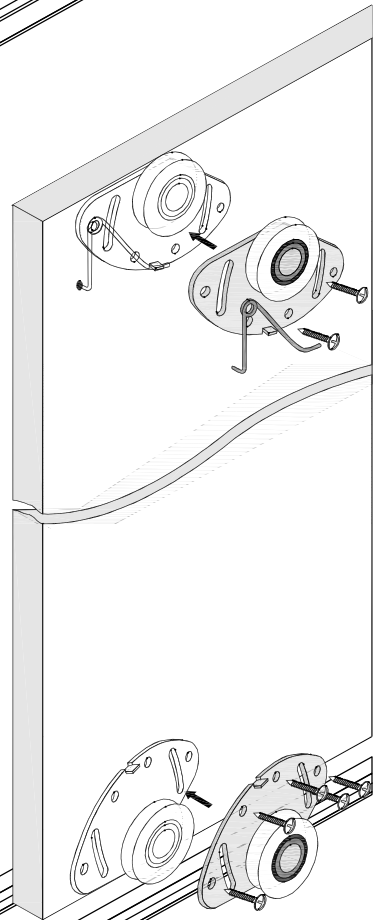
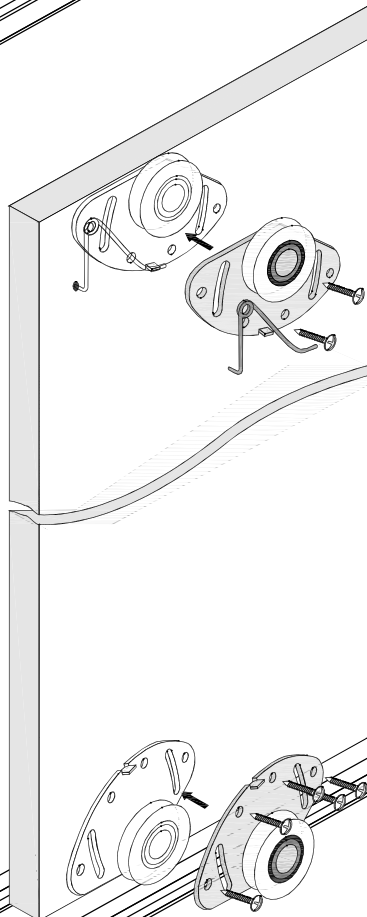
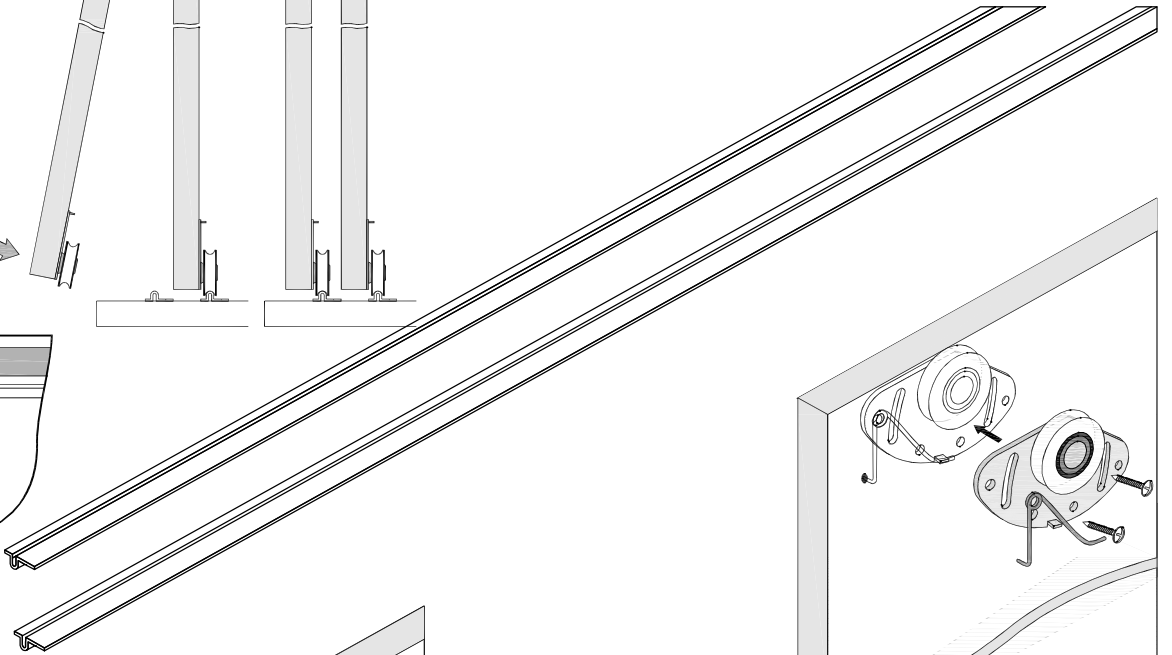
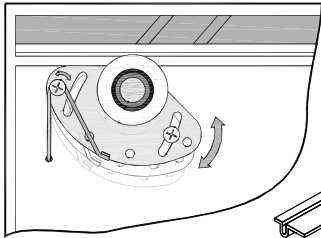
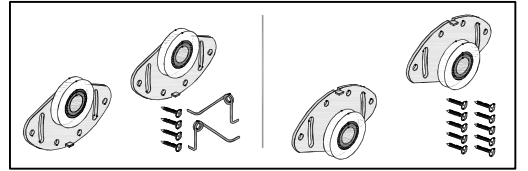


7

1

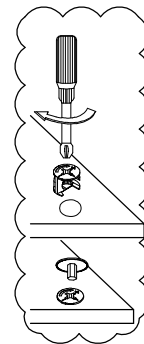
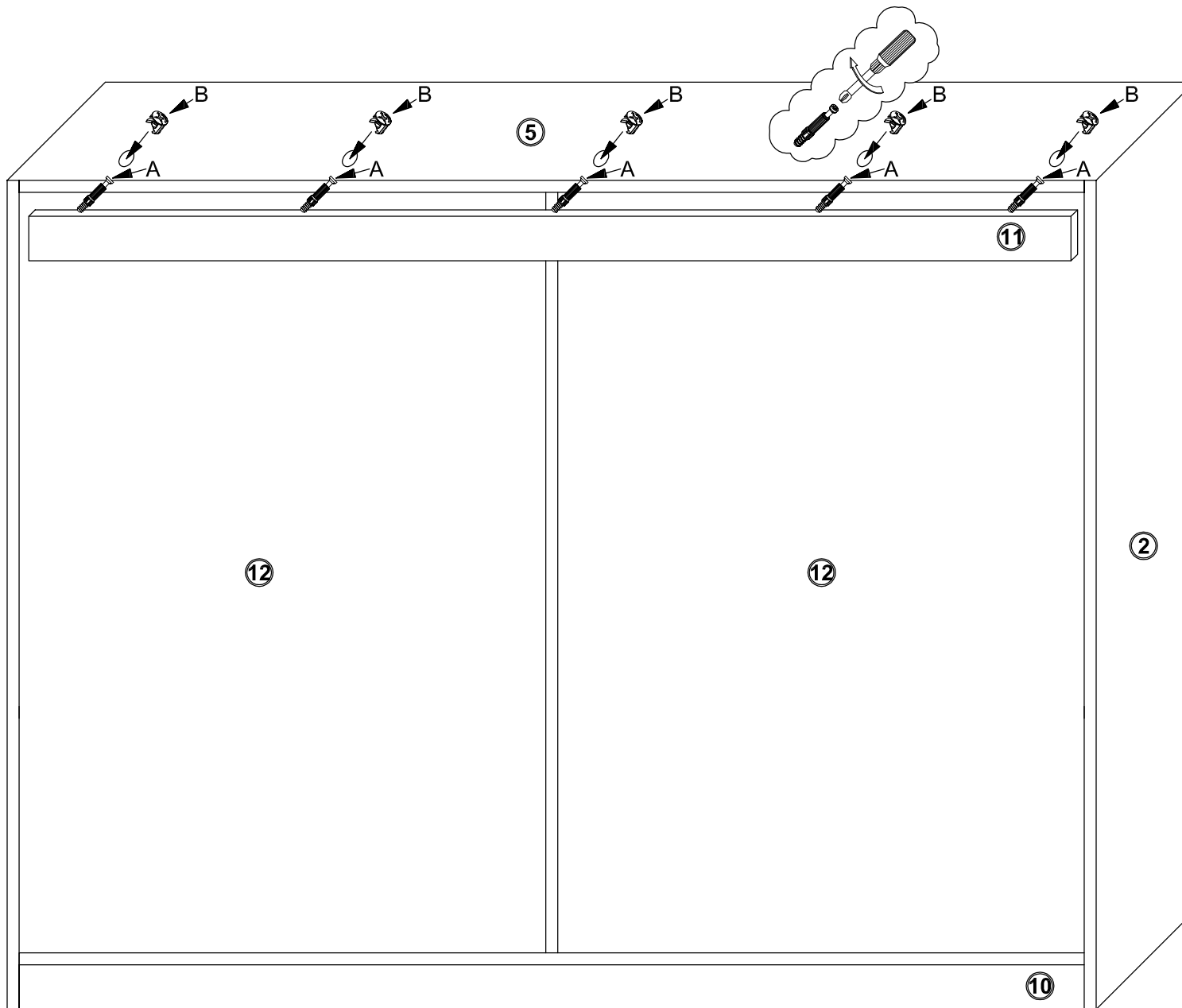
2




3





8



		
5   A	5   B	5   C