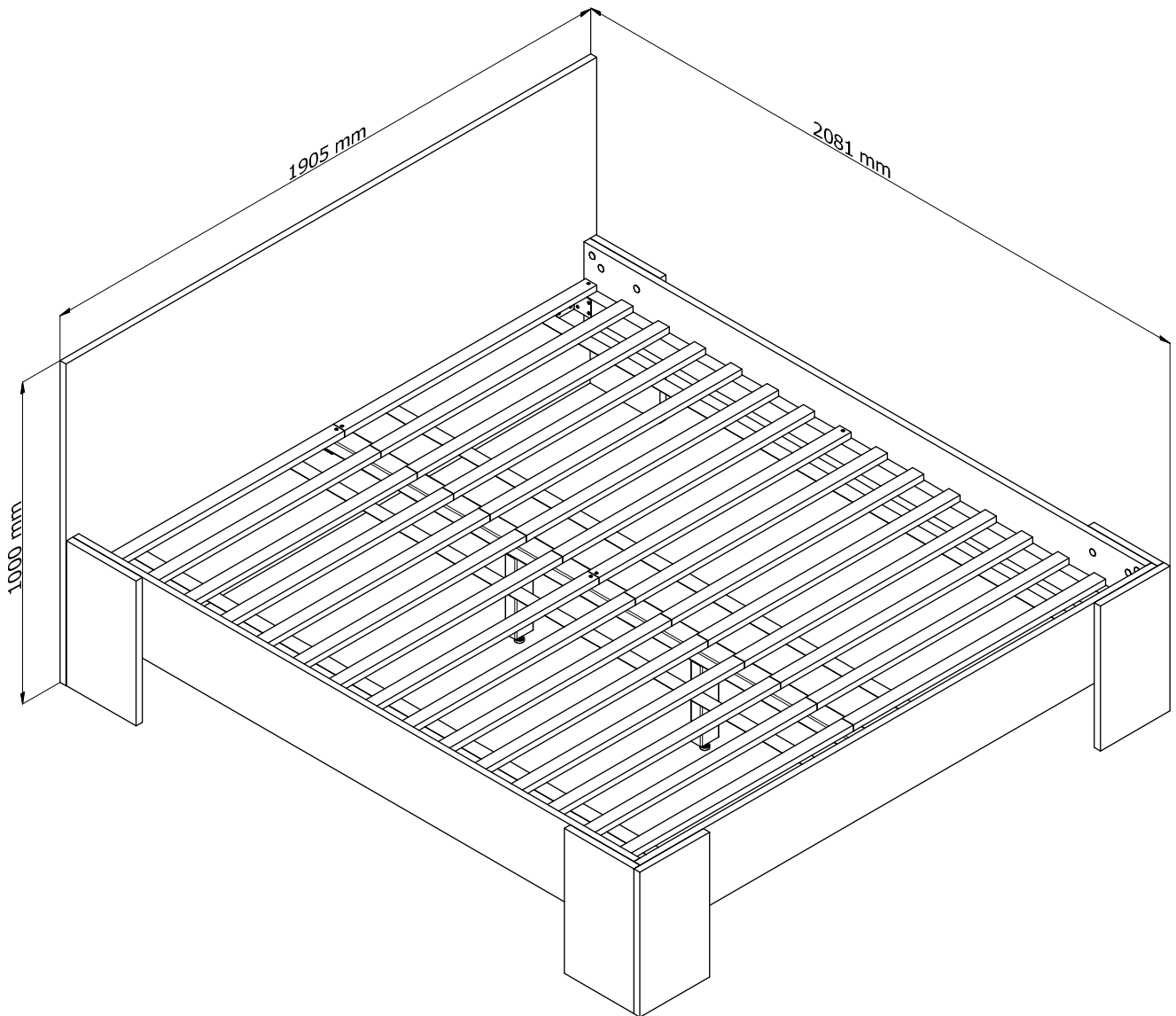
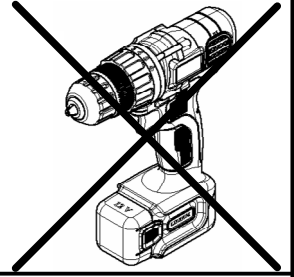
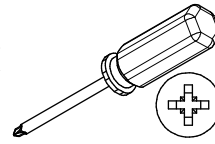
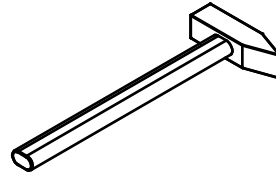
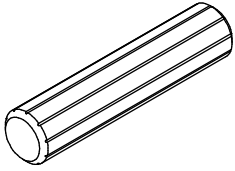


L2



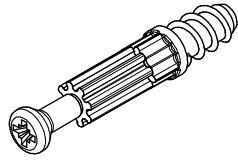


A1 x 8



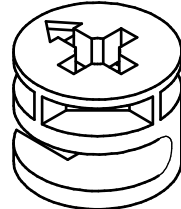
Ø8x35mm

B1 x 12



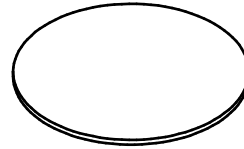
Ø5x38mm

C1 x 12



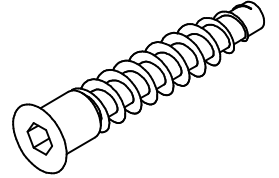
Ø15x12mm

J x 34



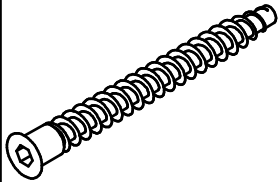
Ø21mm

K2 x 24



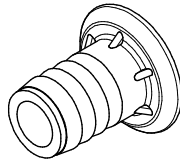
Ø7x40mm

K4 x 2



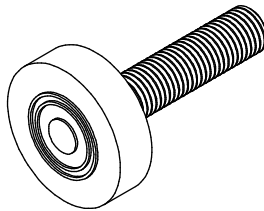
Ø7x70mm

L9 x 2



M8x19mm

L10 x 2



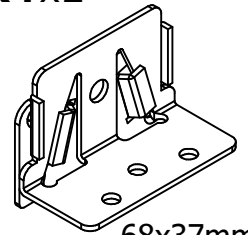
M8x40mm

N2 x 1



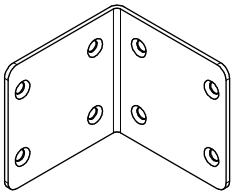
4mm HEX

R4 x 2



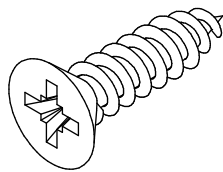
68x37mm

R5 x 4



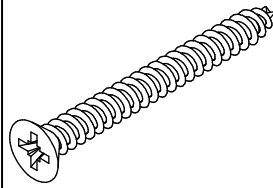
60x62mm

W2 x 40



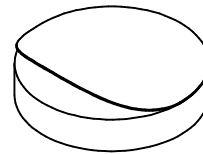
Ø3,5x16mm

W6 x 18

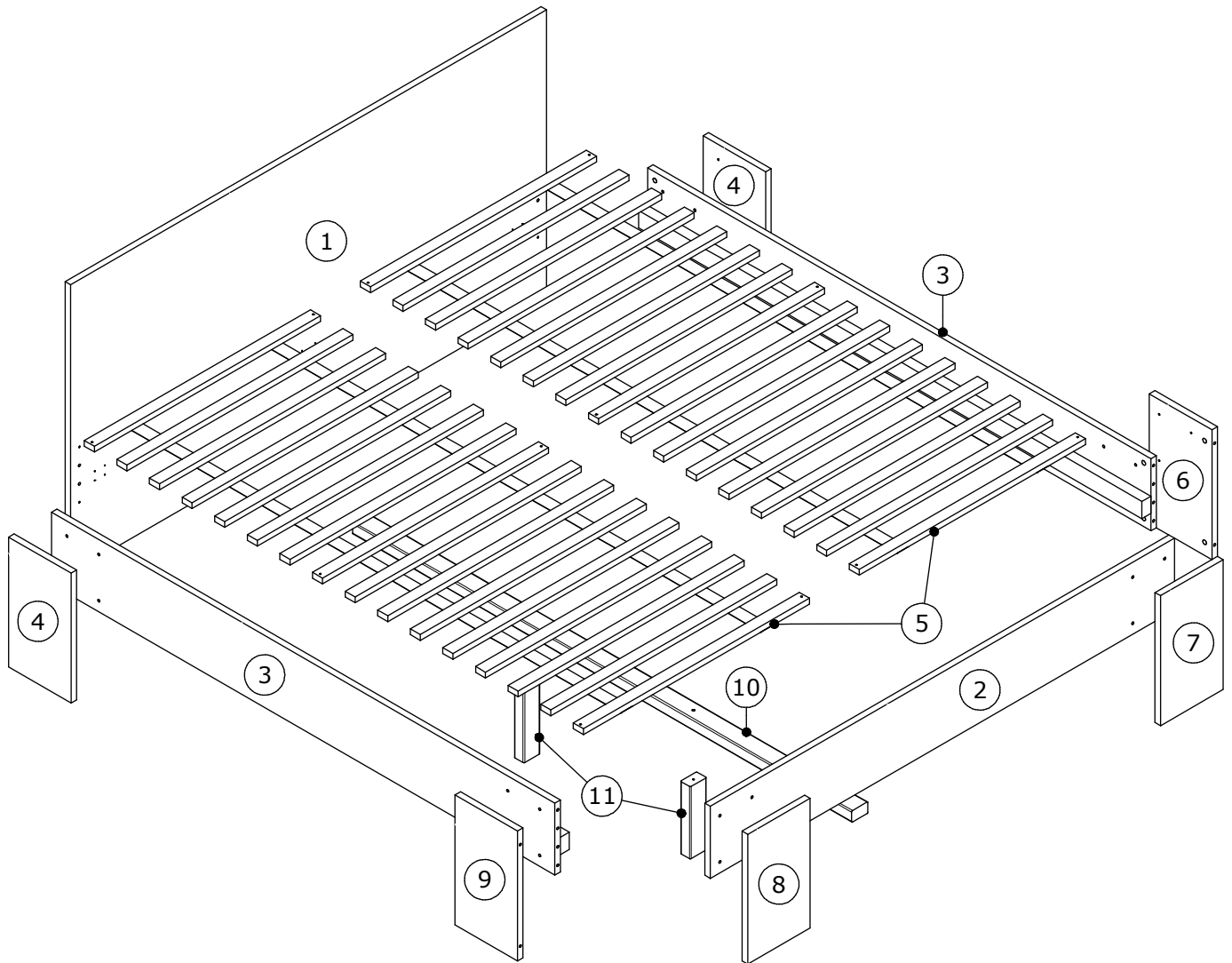
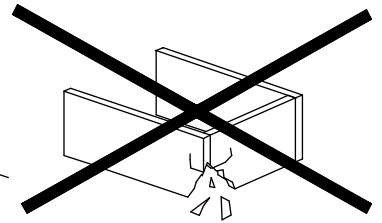
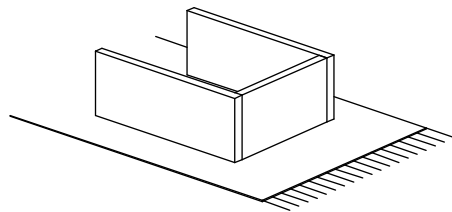
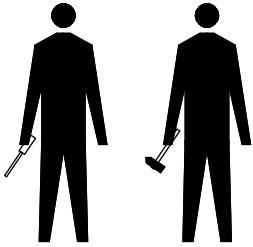


Ø4x40mm

Y2 x 18

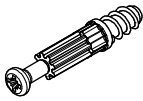


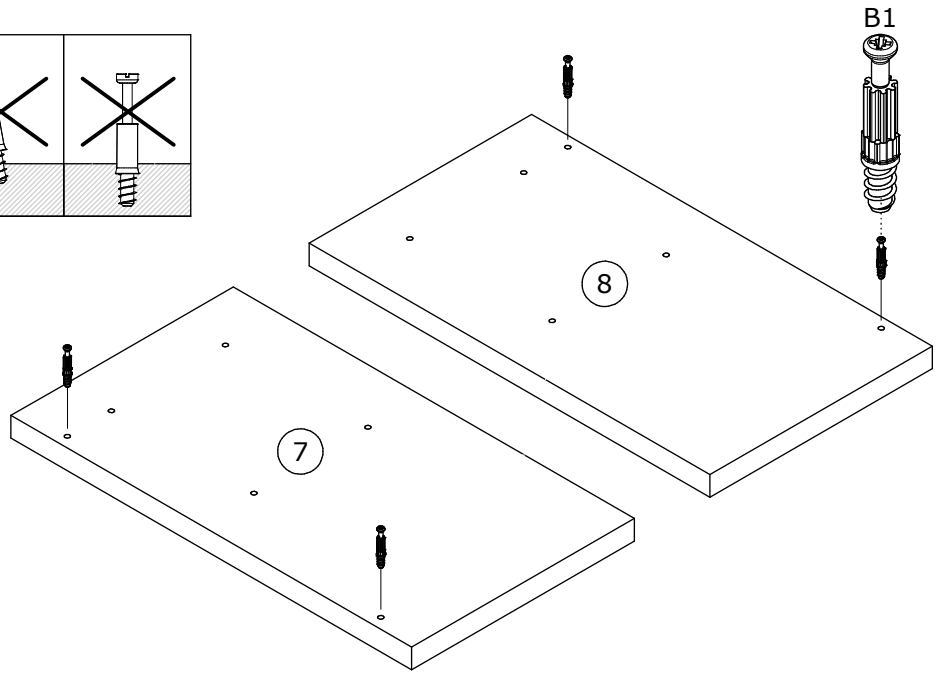
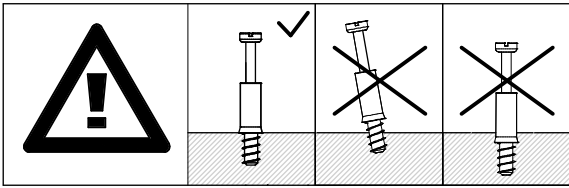
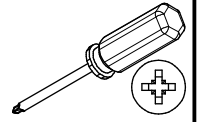
Ø16mm



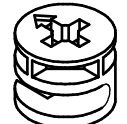
No.	L[mm]	W[mm]	H[mm]	PCS	BOX
1	1905	1000	22	1	2/3
2	1858	250	22	1	2/3
3	2015	250	22	2	1/3
4	450	250	22	2	2/3
5	905	40	20	2	3/3
6	450	250	22	1	2/3
7	450	250	22	1	2/3
8	450	250	22	1	2/3
9	450	250	22	1	2/3
10	1998	65	40	1	1/3
11	250	65	40	2	3/3

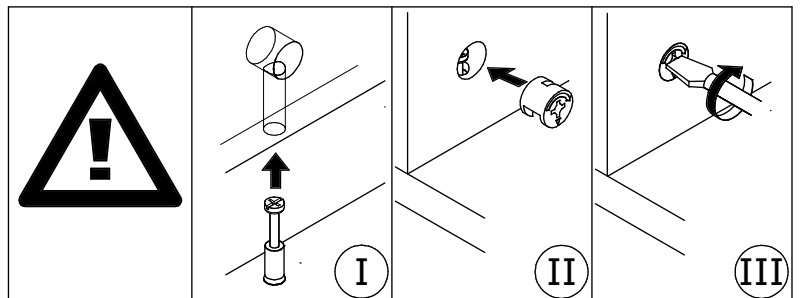
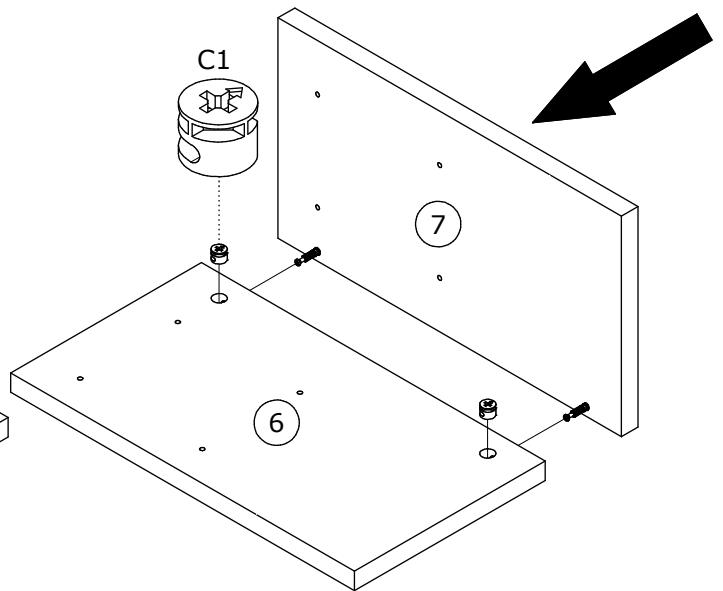
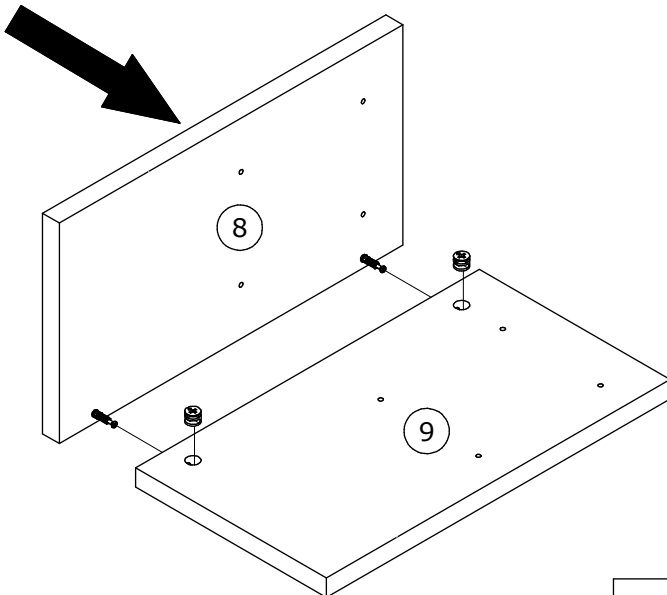
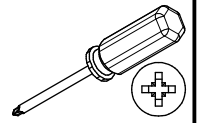
1

B1 x4

Ø5x38mm



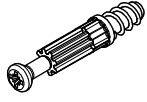
2

C1 x4

Ø15x12mm



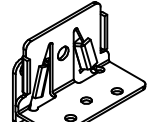
3

B1 x4



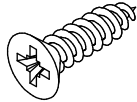
Ø5x38mm

R4 x1

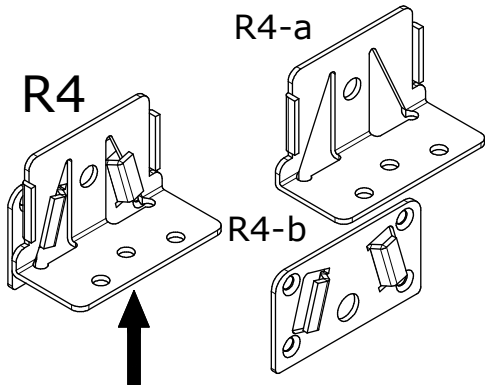
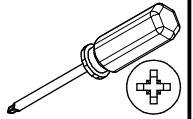


68x37mm

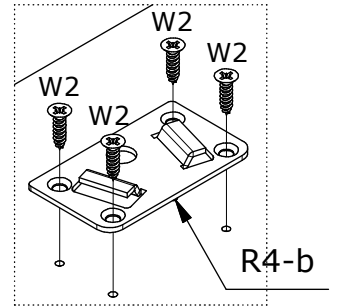
W2 x4



Ø3,5x16mm

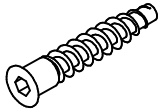


B1



4

K2 x8



Ø7x40mm

N2 x1

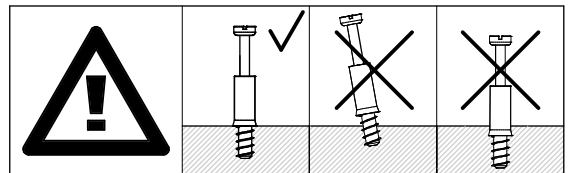
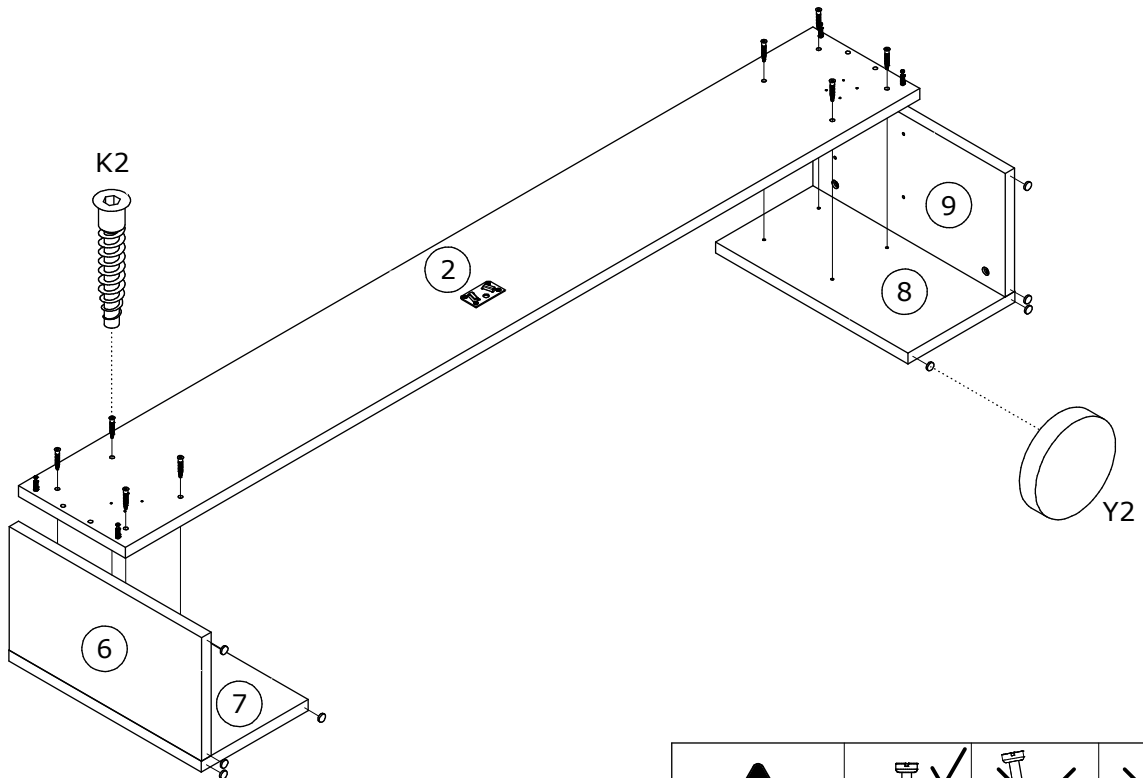


4mm HEX

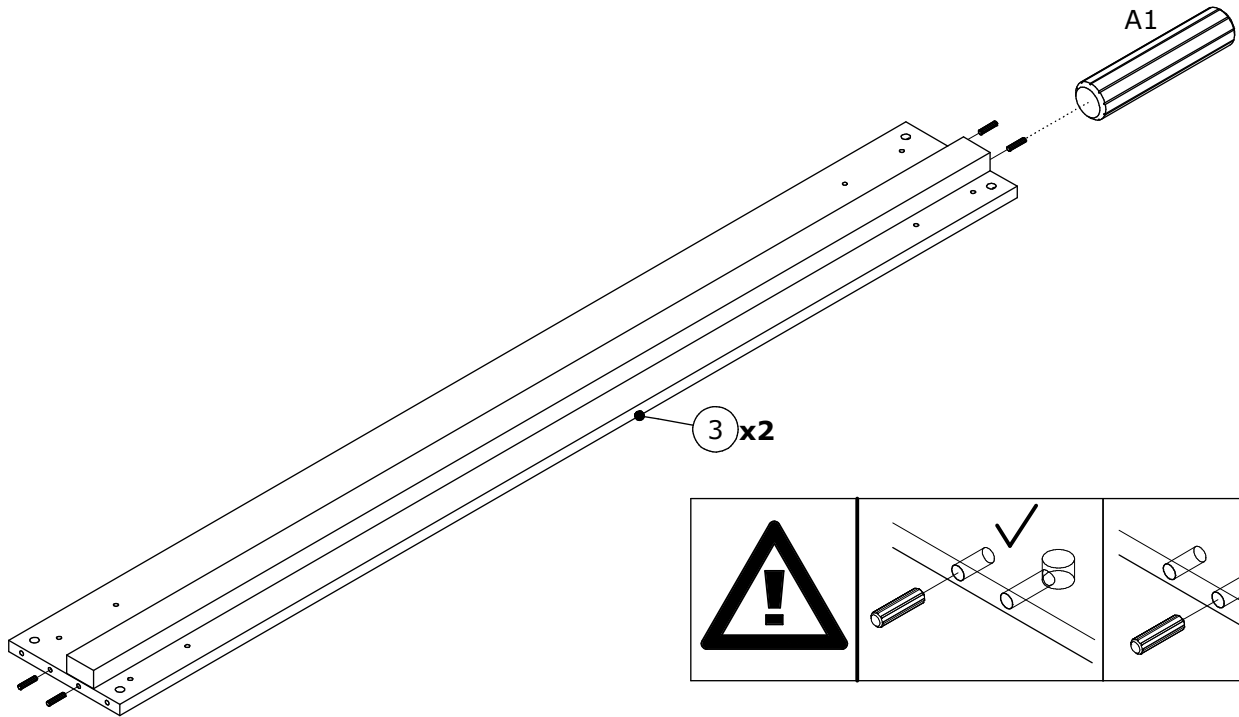
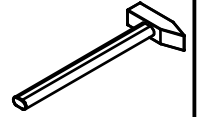
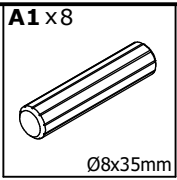
Y2 x8



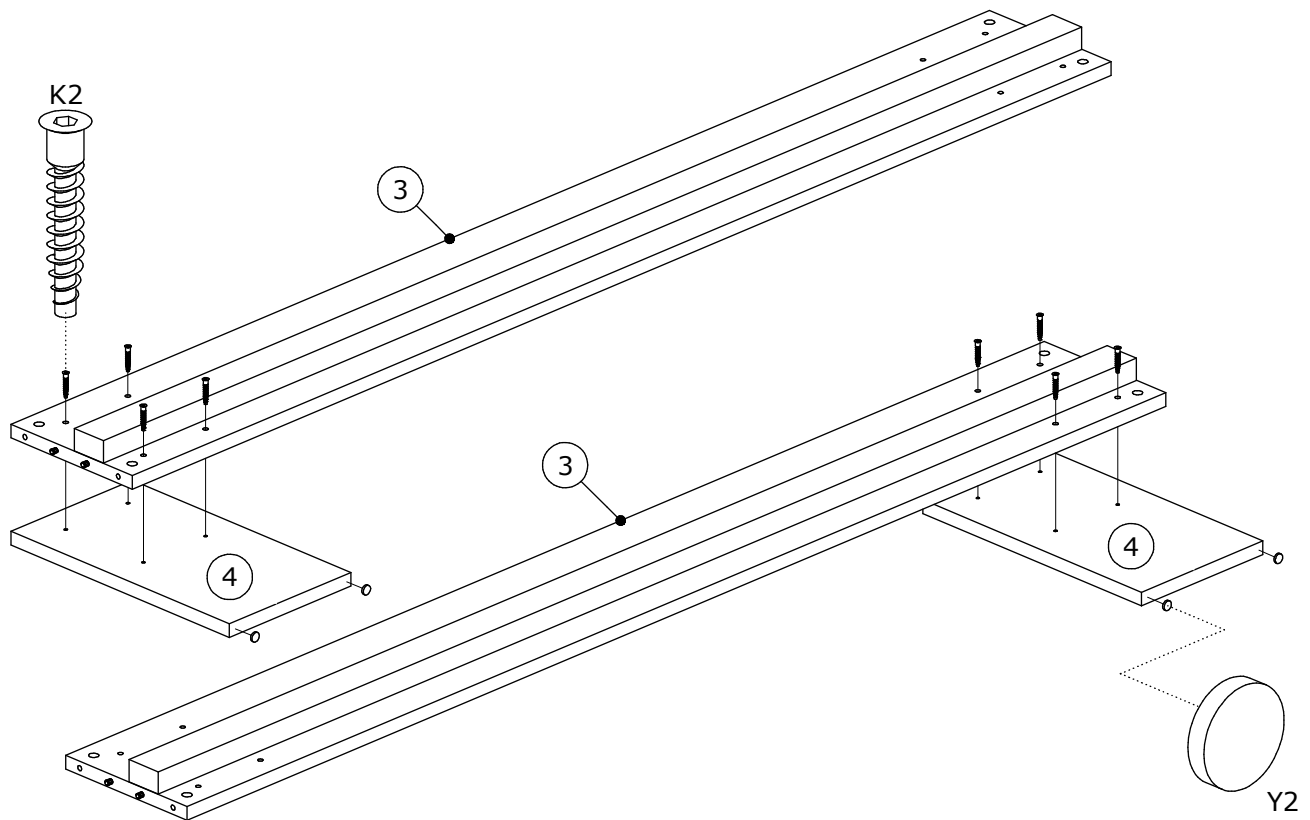
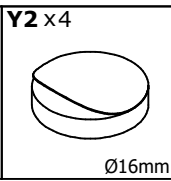
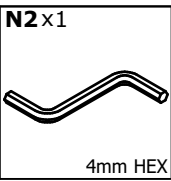
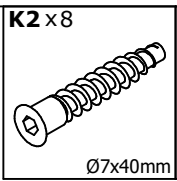
Ø16mm



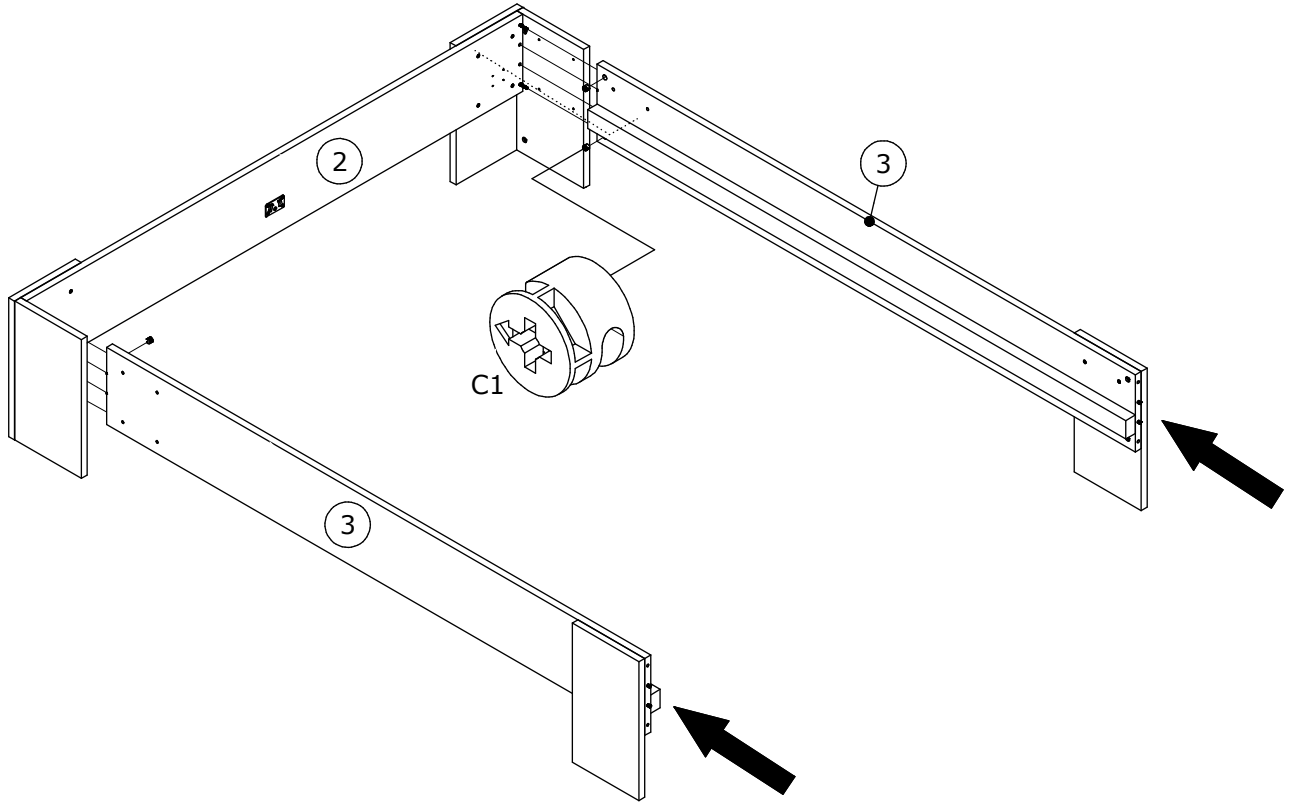
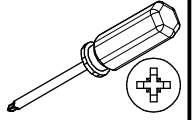
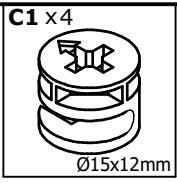
5



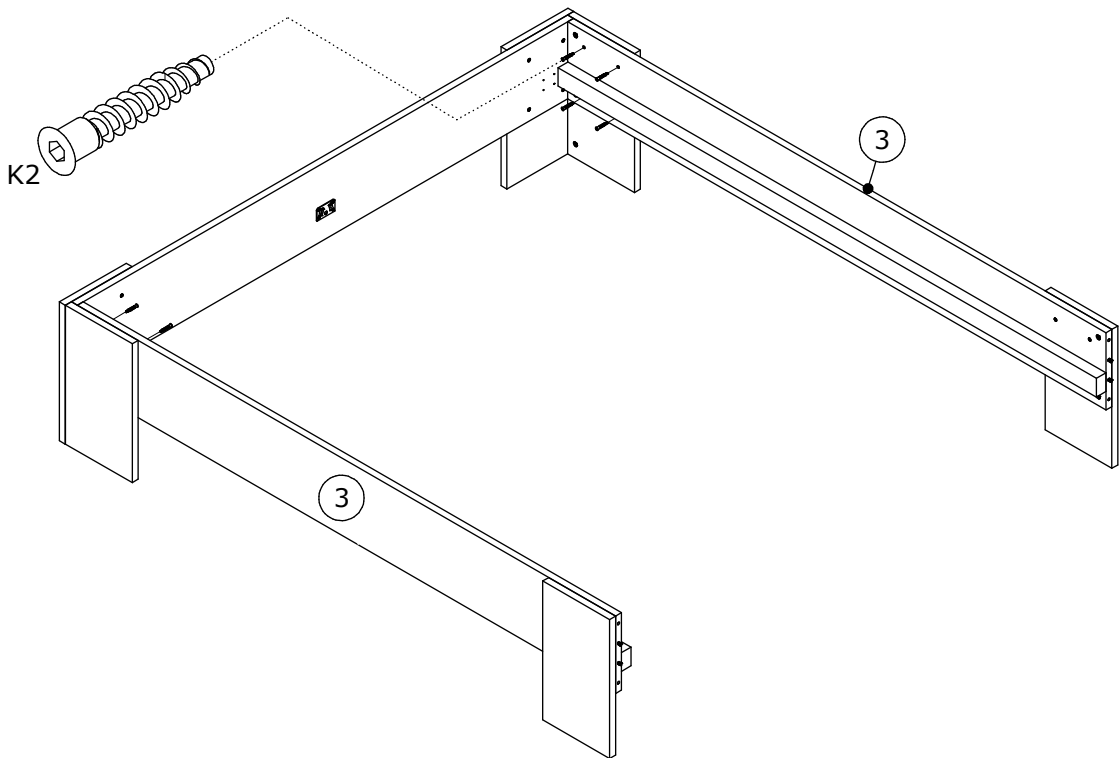
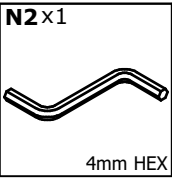
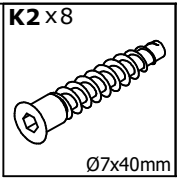
6



7

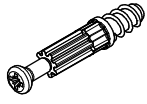


8



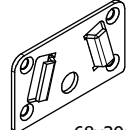
9

B1 x4



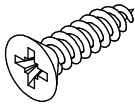
Ø5x38mm

R4-bx1

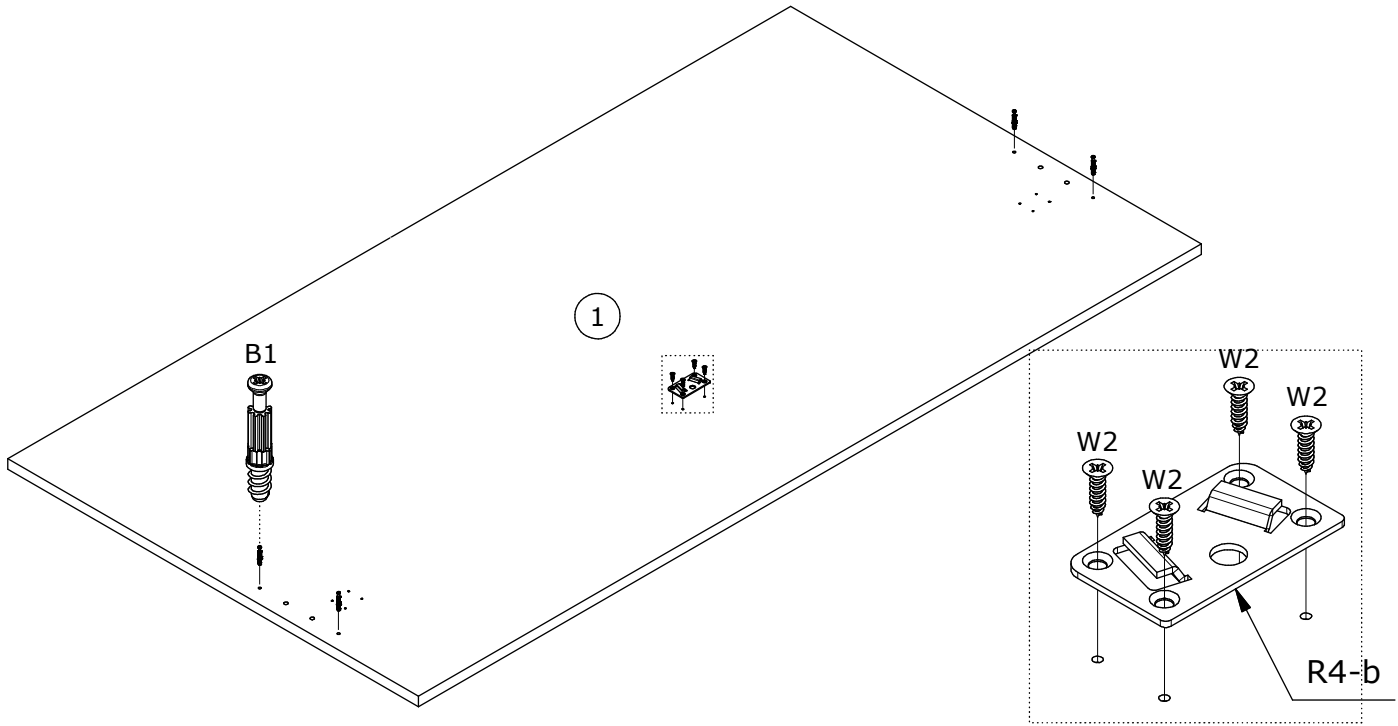
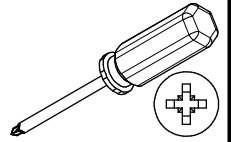


68x39mm

W2 x4

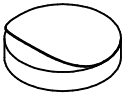


Ø3,5x16mm

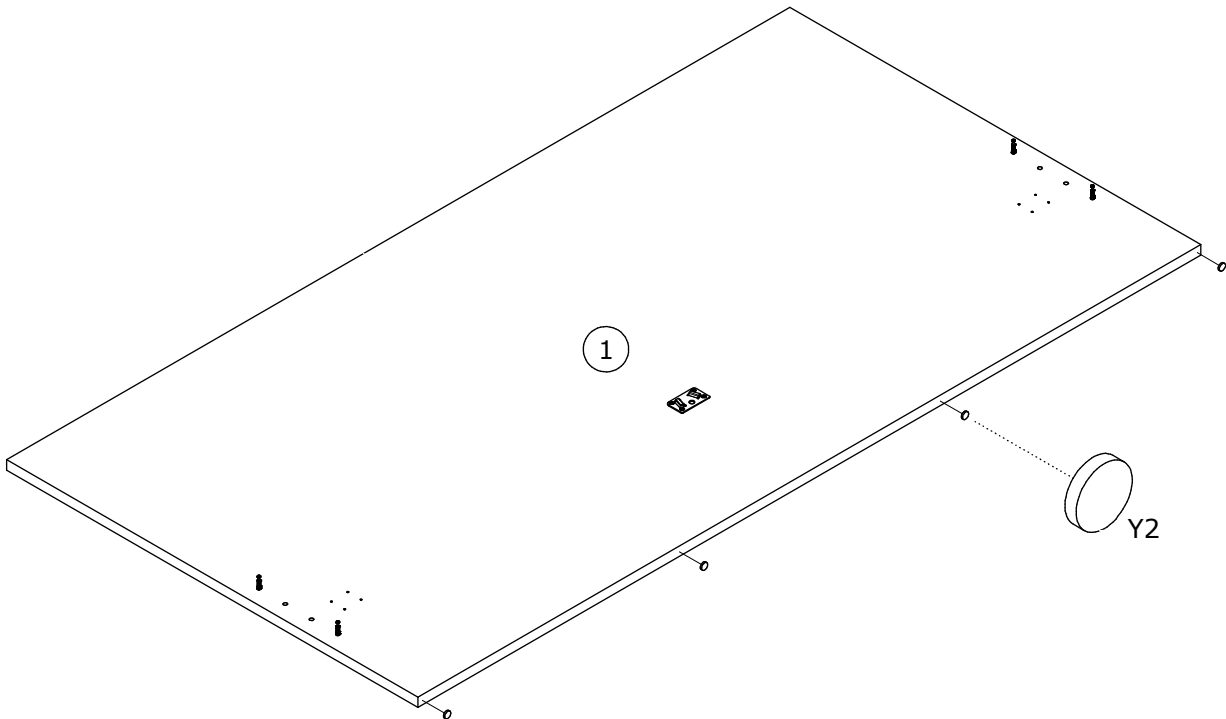


10

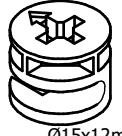
Y2 x4

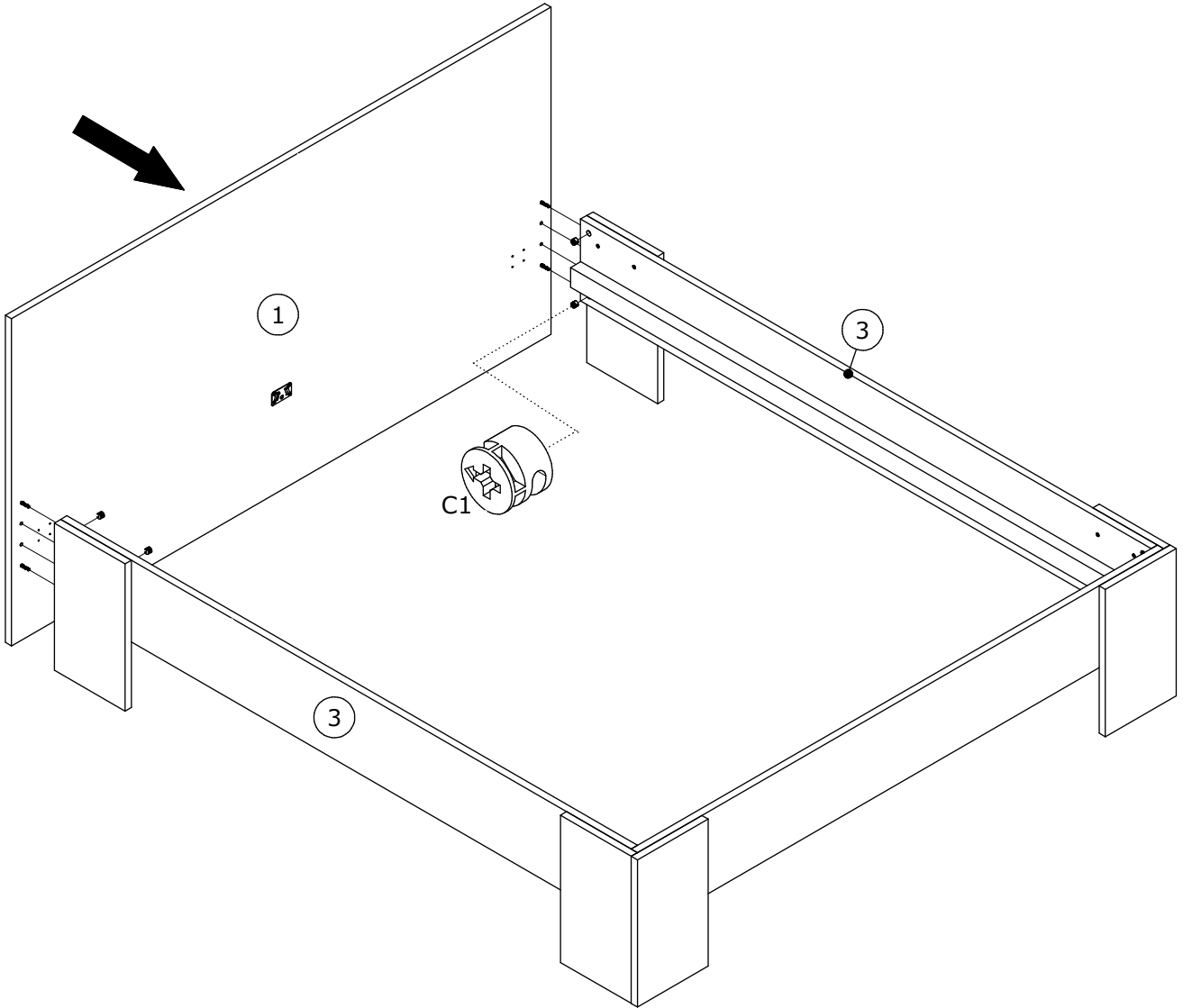
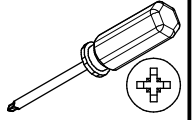


Ø16mm



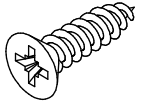
11

C1 x4

Ø15x12mm



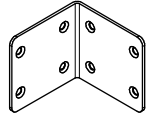
12

W2x32

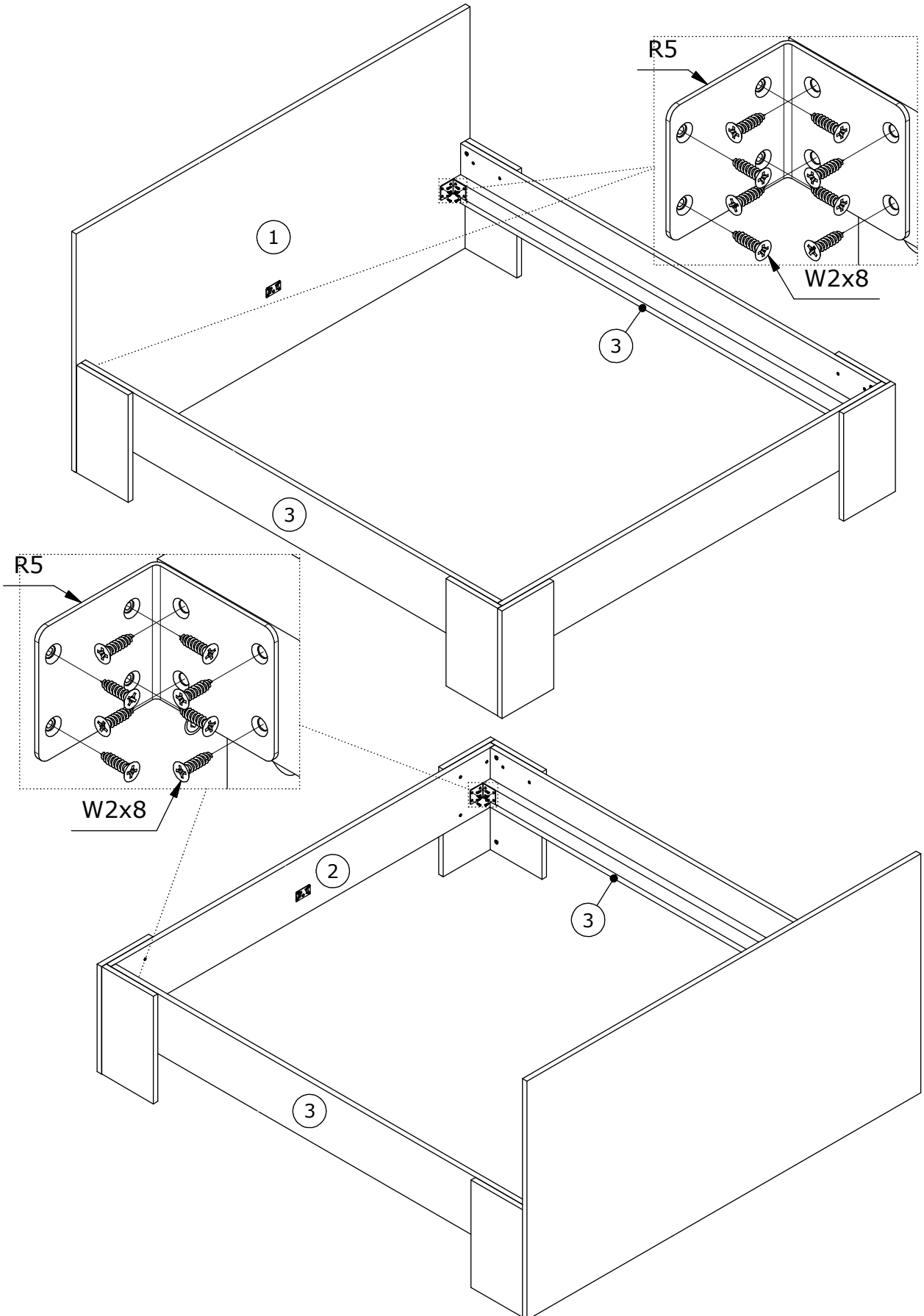
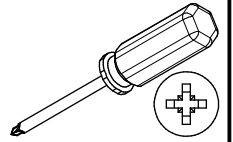


Ø3,5x16mm

R5x4

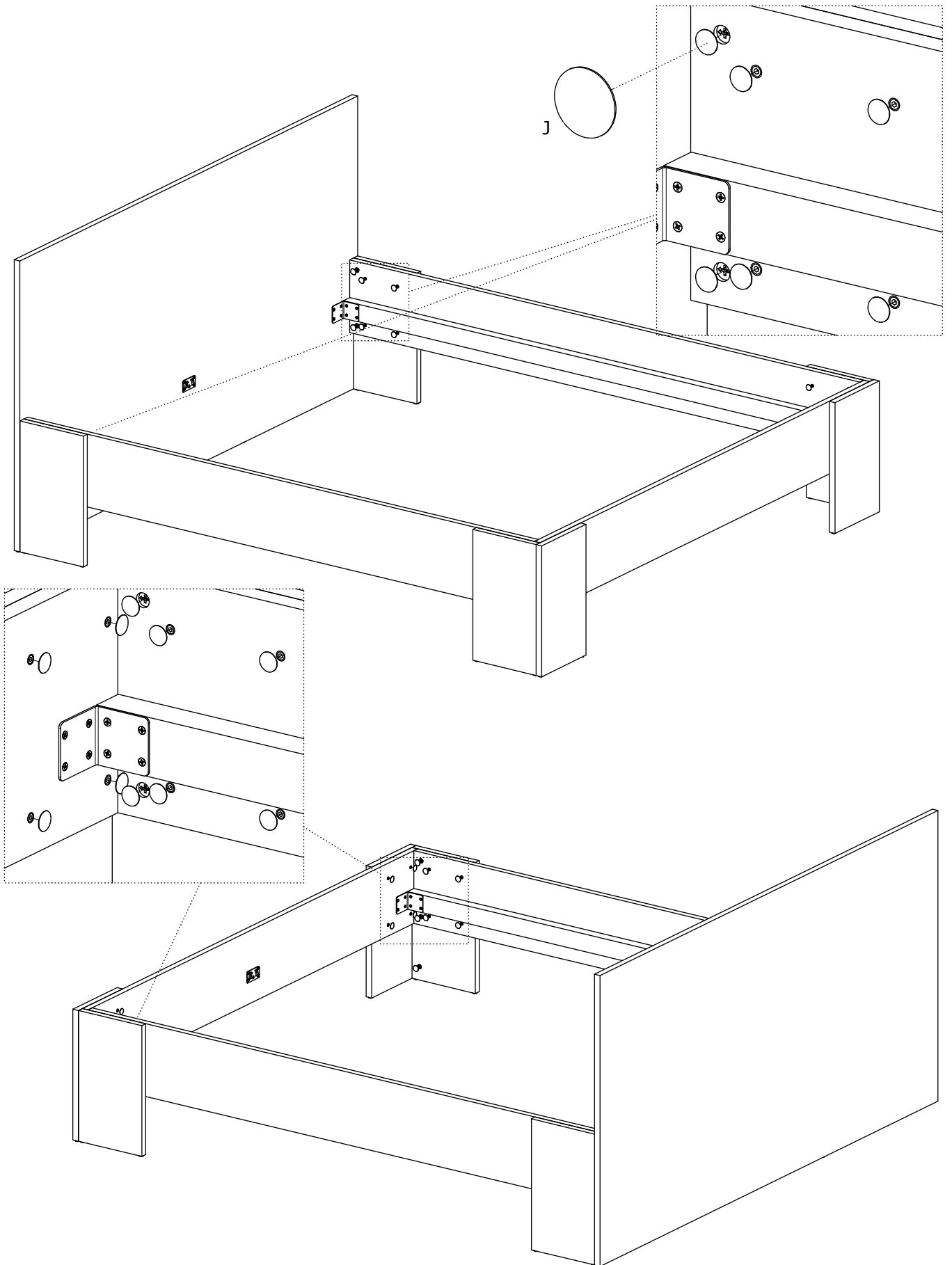


60x62mm

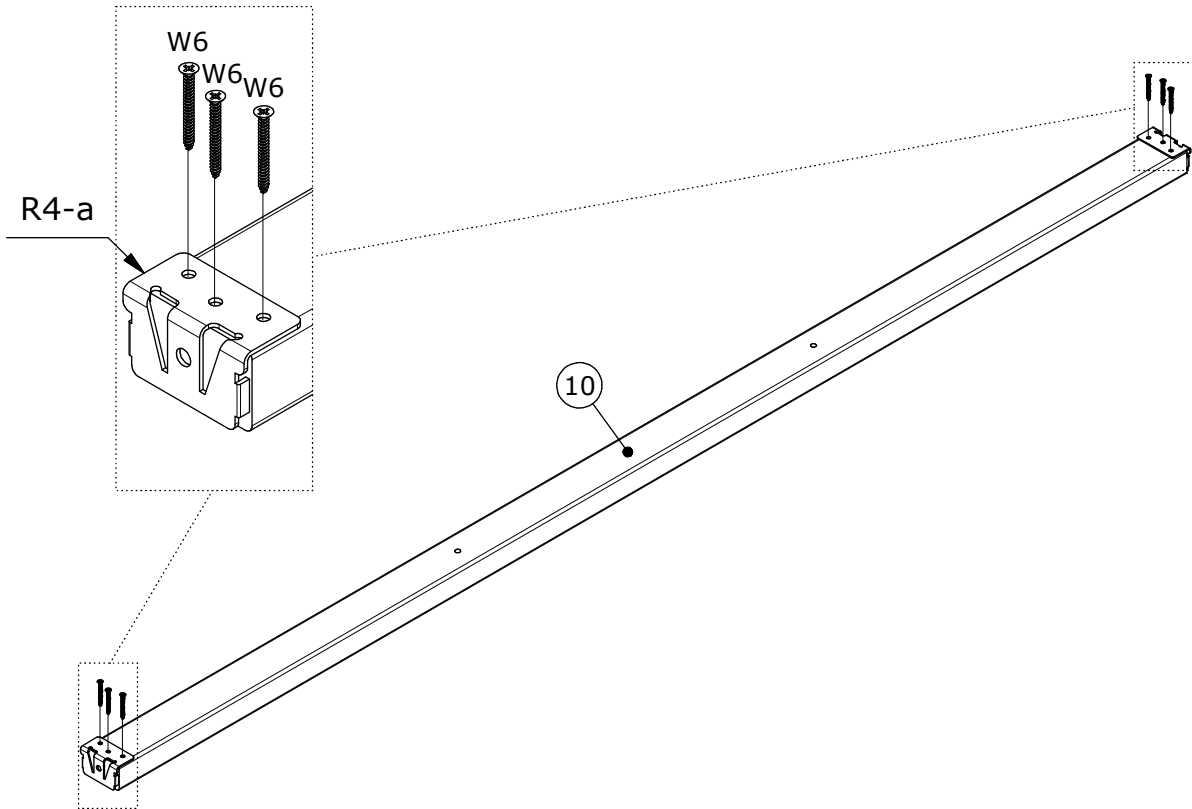
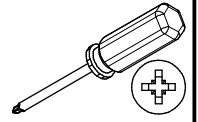
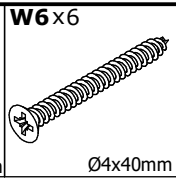
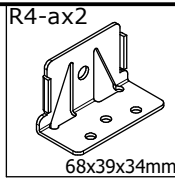


13

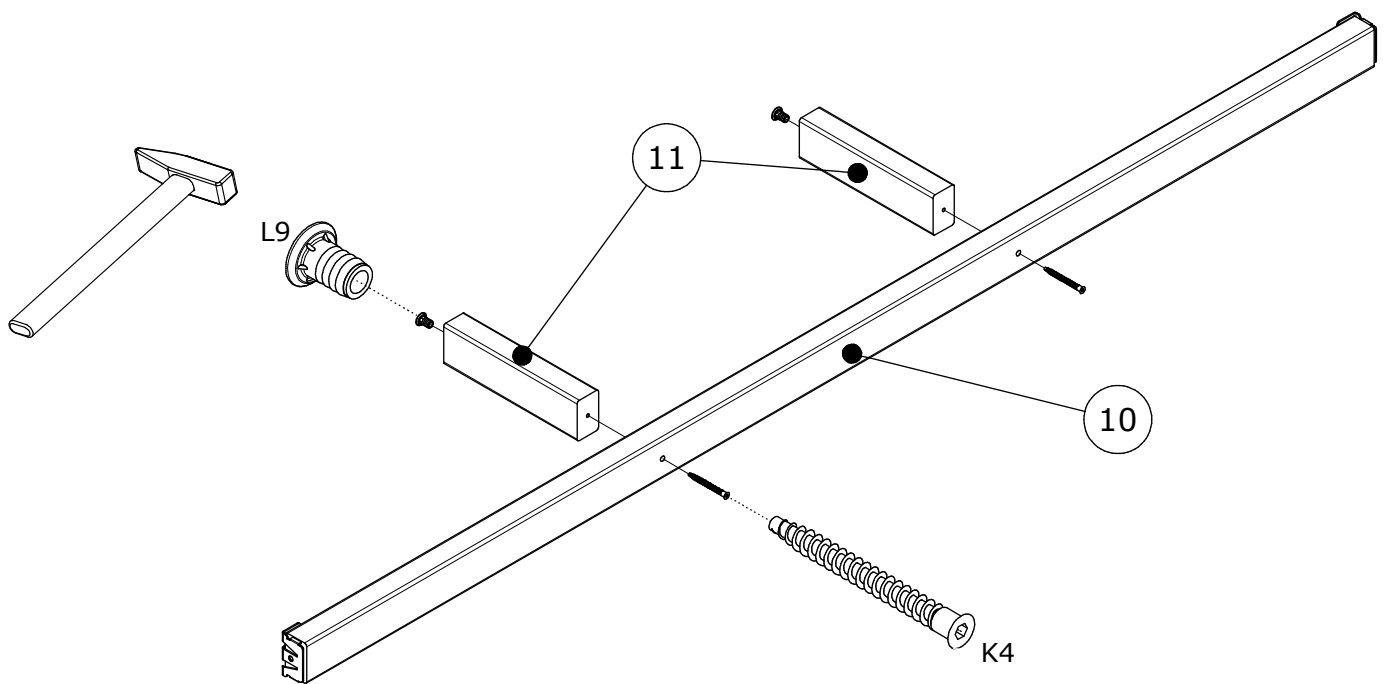
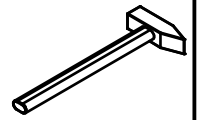
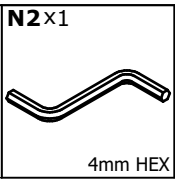
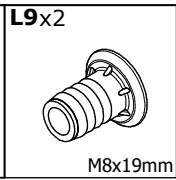
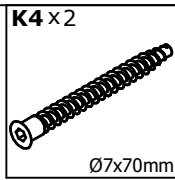
J x 34
Ø21mm



14

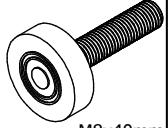


15



16

L10x2

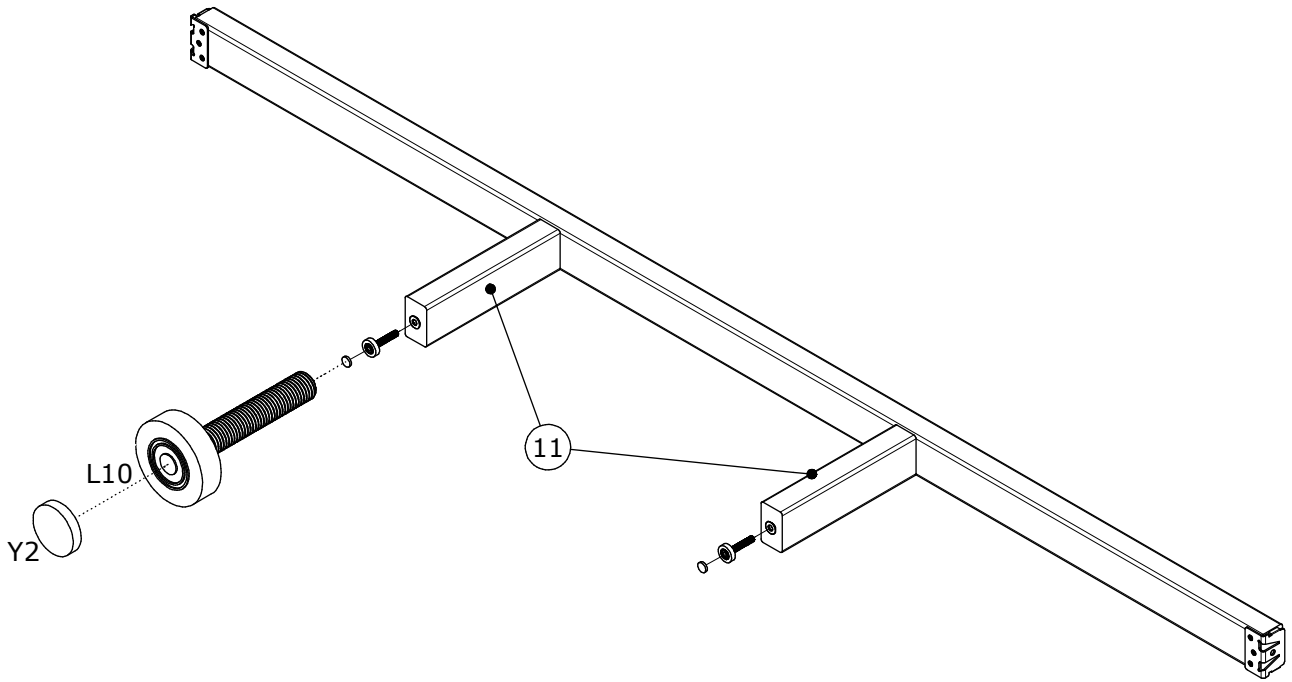


M8x40mm

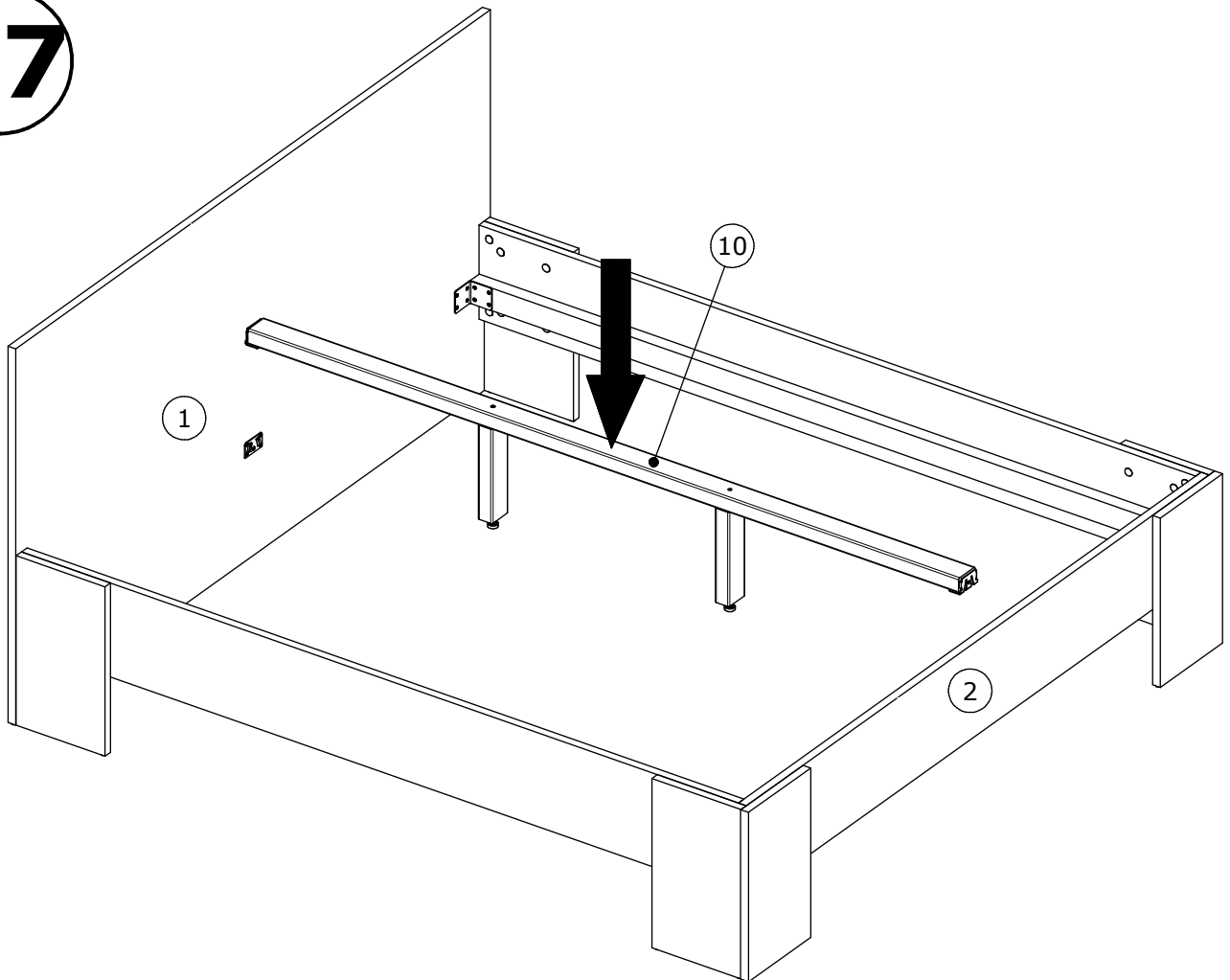
Y2 x2



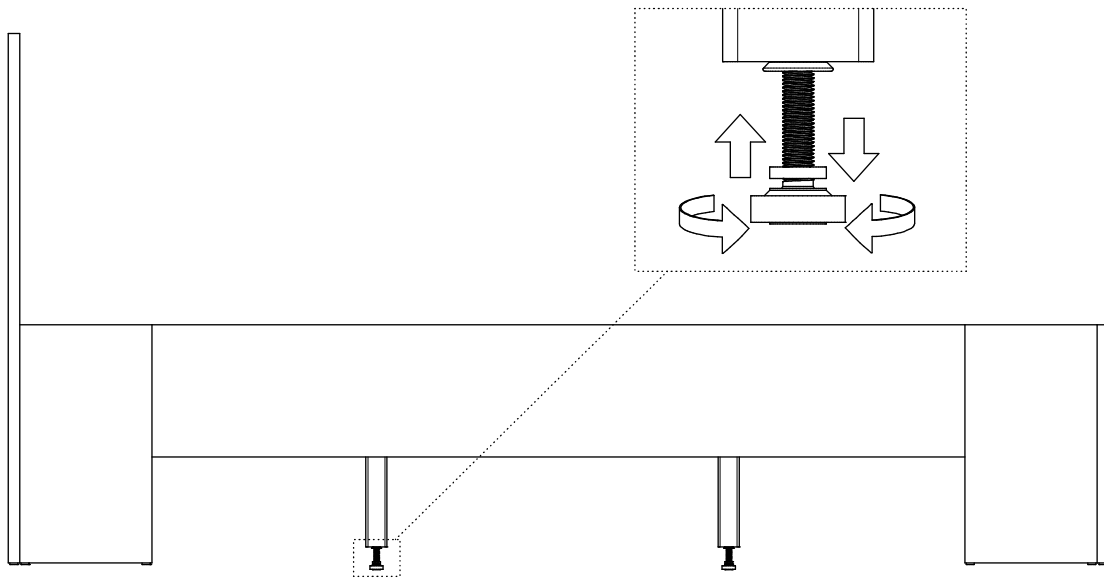
Ø16mm



17



18



19

