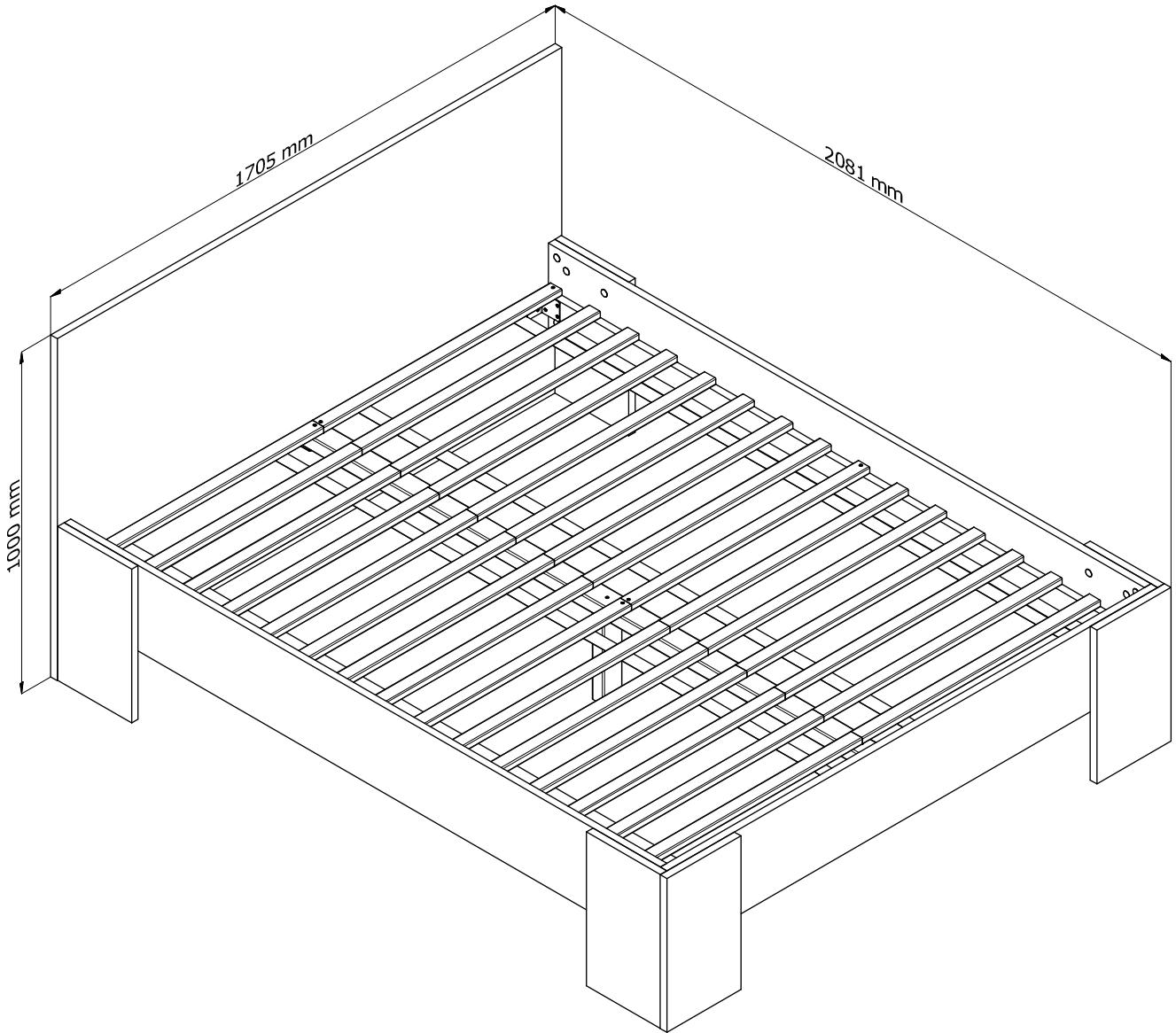
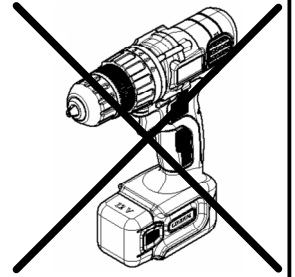
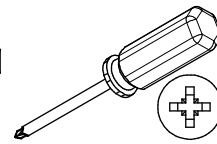
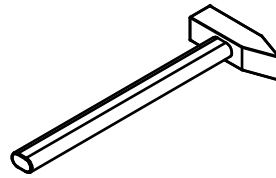
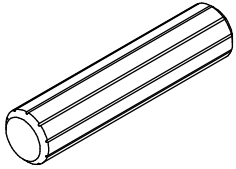


L1



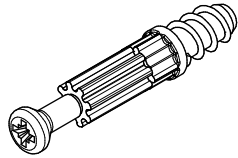


A1 x 8



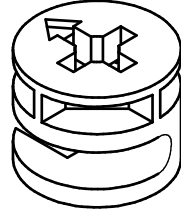
Ø8x35mm

B1 x 12



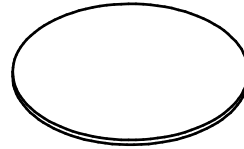
Ø5x38mm

C1 x 12



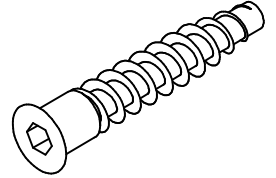
Ø15x12mm

J x 34



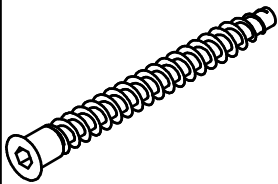
Ø21mm

K2 x 24



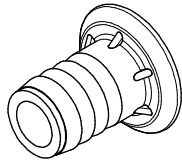
Ø7x40mm

K4 x 1



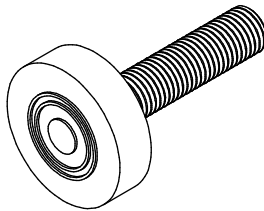
Ø7x70mm

L9 x 1



M8x19mm

L10 x 1



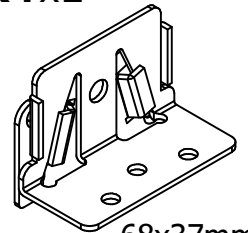
M8x40mm

N2 x 1



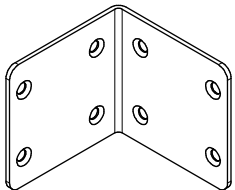
4mm HEX

R4 x 2



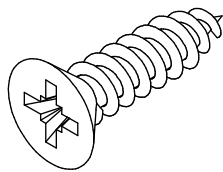
68x37mm

R5 x 4



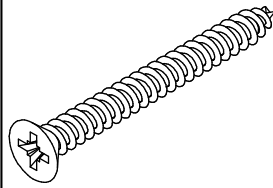
60x62mm

W2 x 40



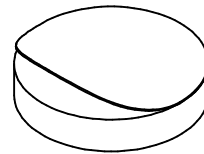
Ø3,5x16mm

W6 x 18

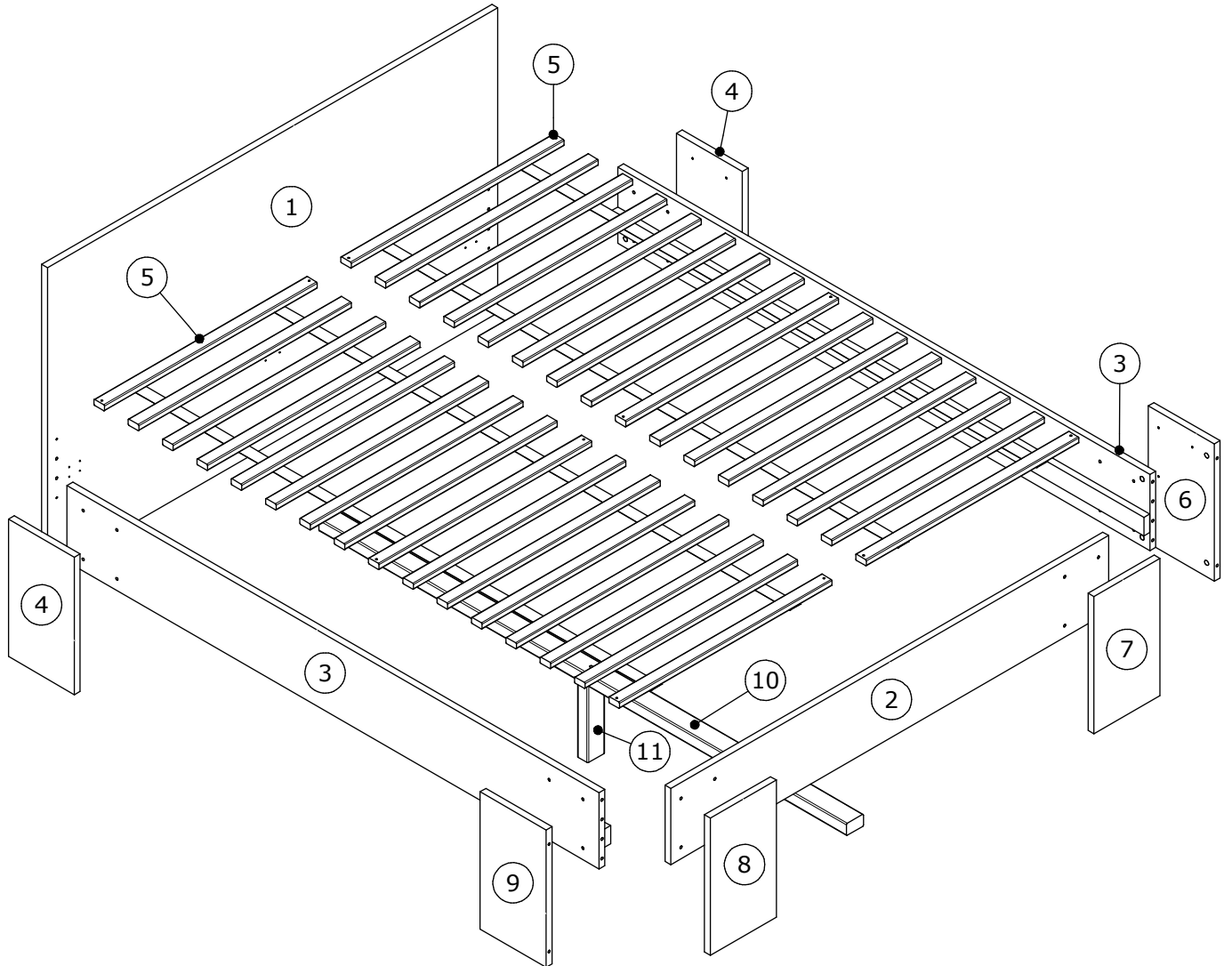
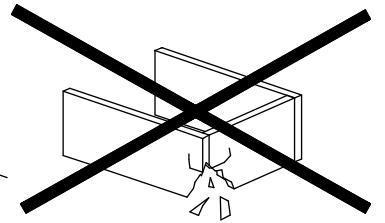
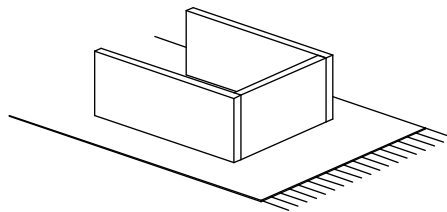
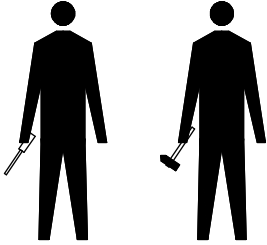


Ø4x40mm

Y2 x 17

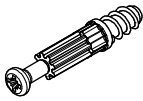


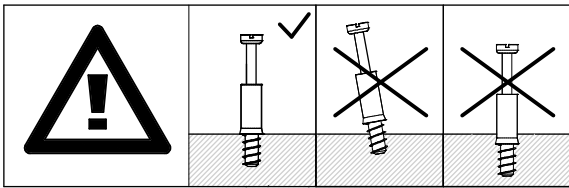
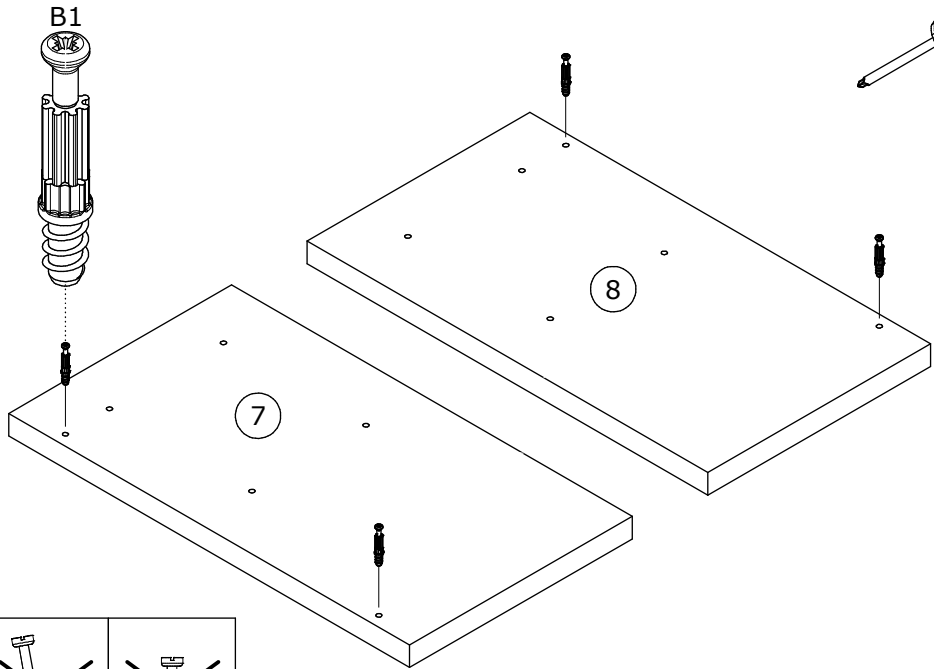
Ø16mm



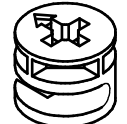
No.	L[mm]	W[mm]	H[mm]	PCS	BOX
1	1705	1000	22	1	2/3
2	1658	250	22	1	2/3
3	2015	250	22	2	1/3
4	450	250	22	2	2/3
5	805	40	20	2	3/3
6	450	250	22	1	2/3
7	450	250	22	1	2/3
8	450	250	22	1	2/3
9	450	250	22	1	2/3
10	1998	65	40	1	1/3
11	250	65	40	1	3/3

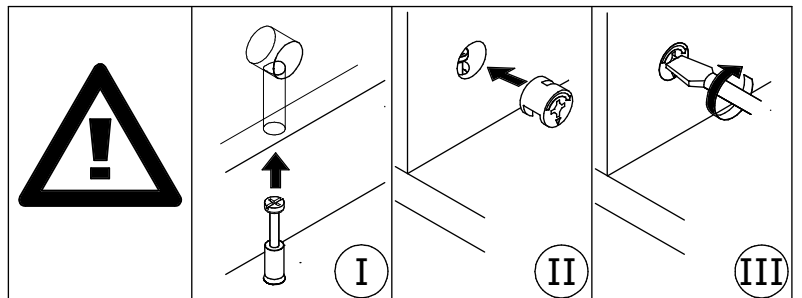
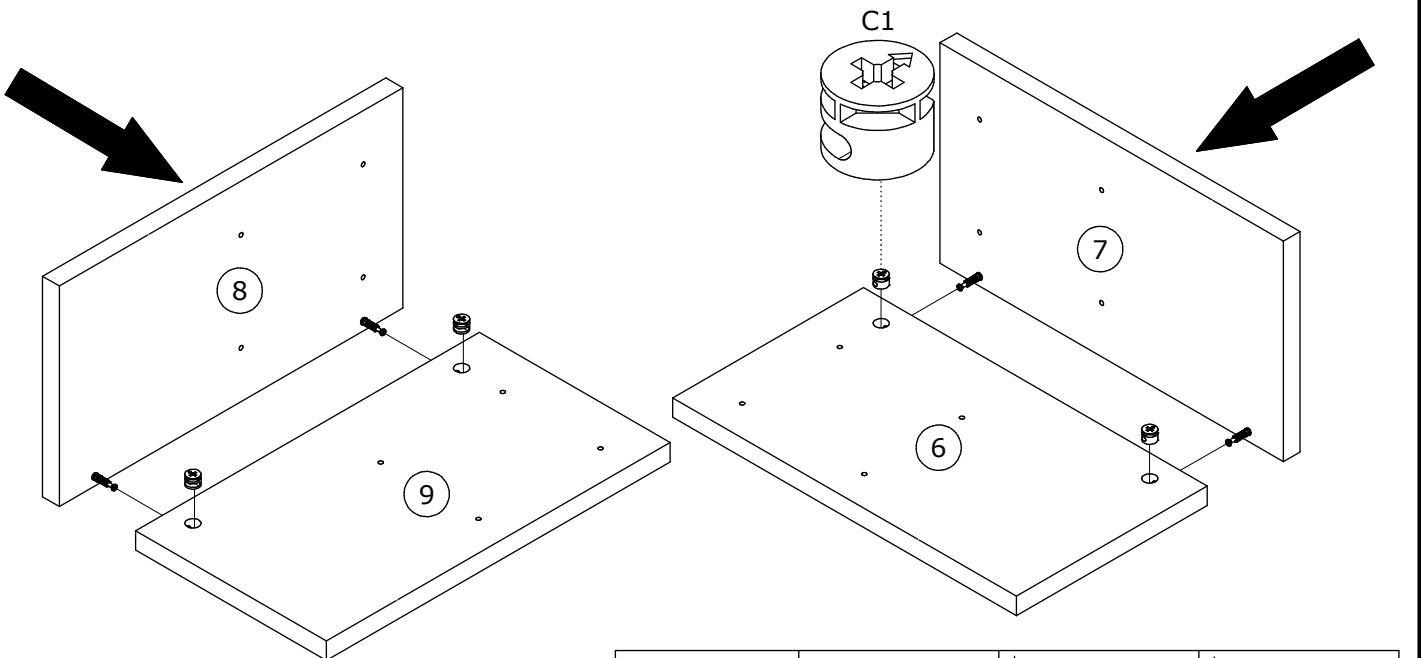
1

B1 x4

Ø5x38mm



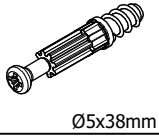
2

C1 x4

Ø15x12mm

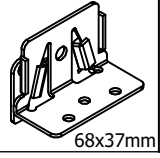


3

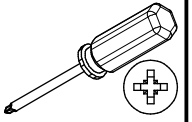
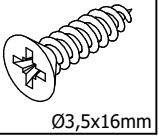
B1 x4



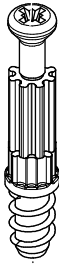
R4 x1



W2 x4



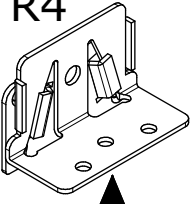
B1



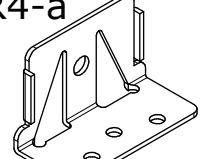
2



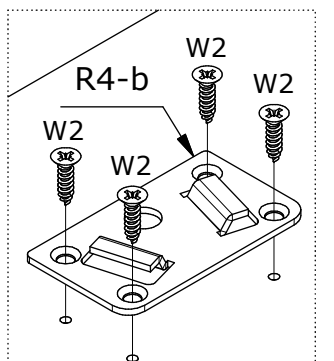
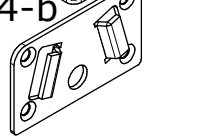
R4



R4-a

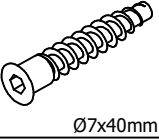


R4-b

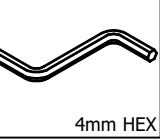


4

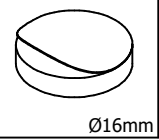
K2 x8



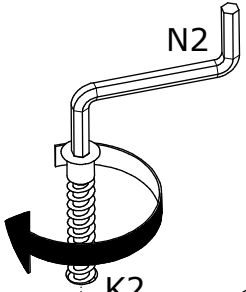
N2 x1



Y2 x8



N2



K2

2



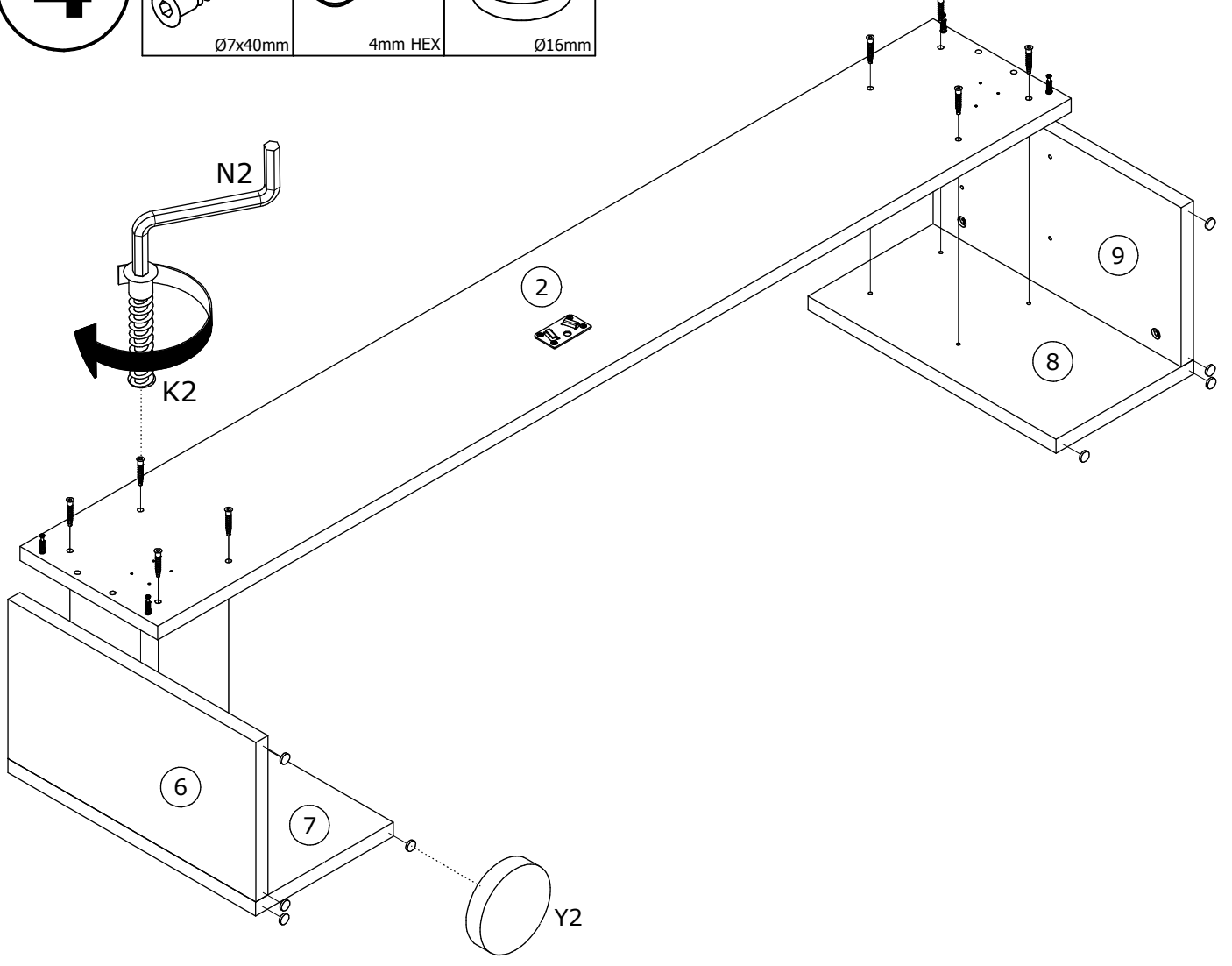
9

8

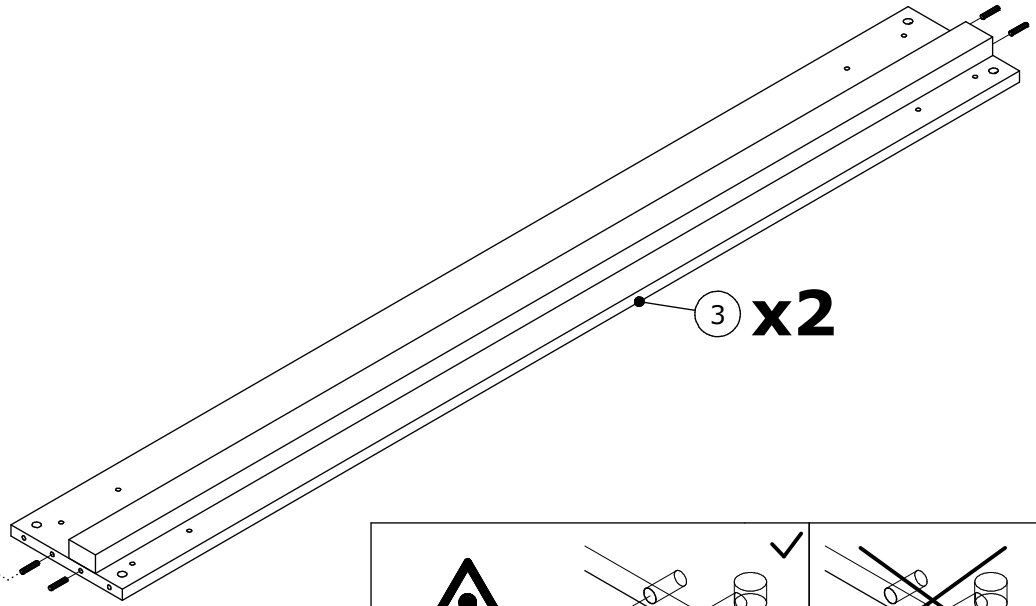
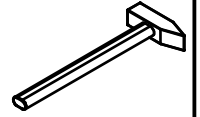
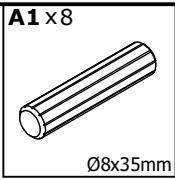
6

7

Y2

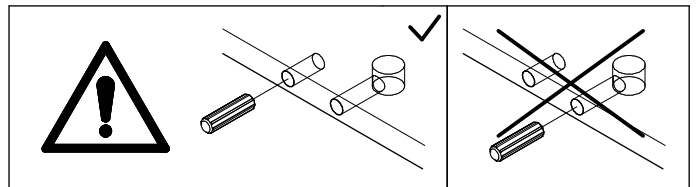


5

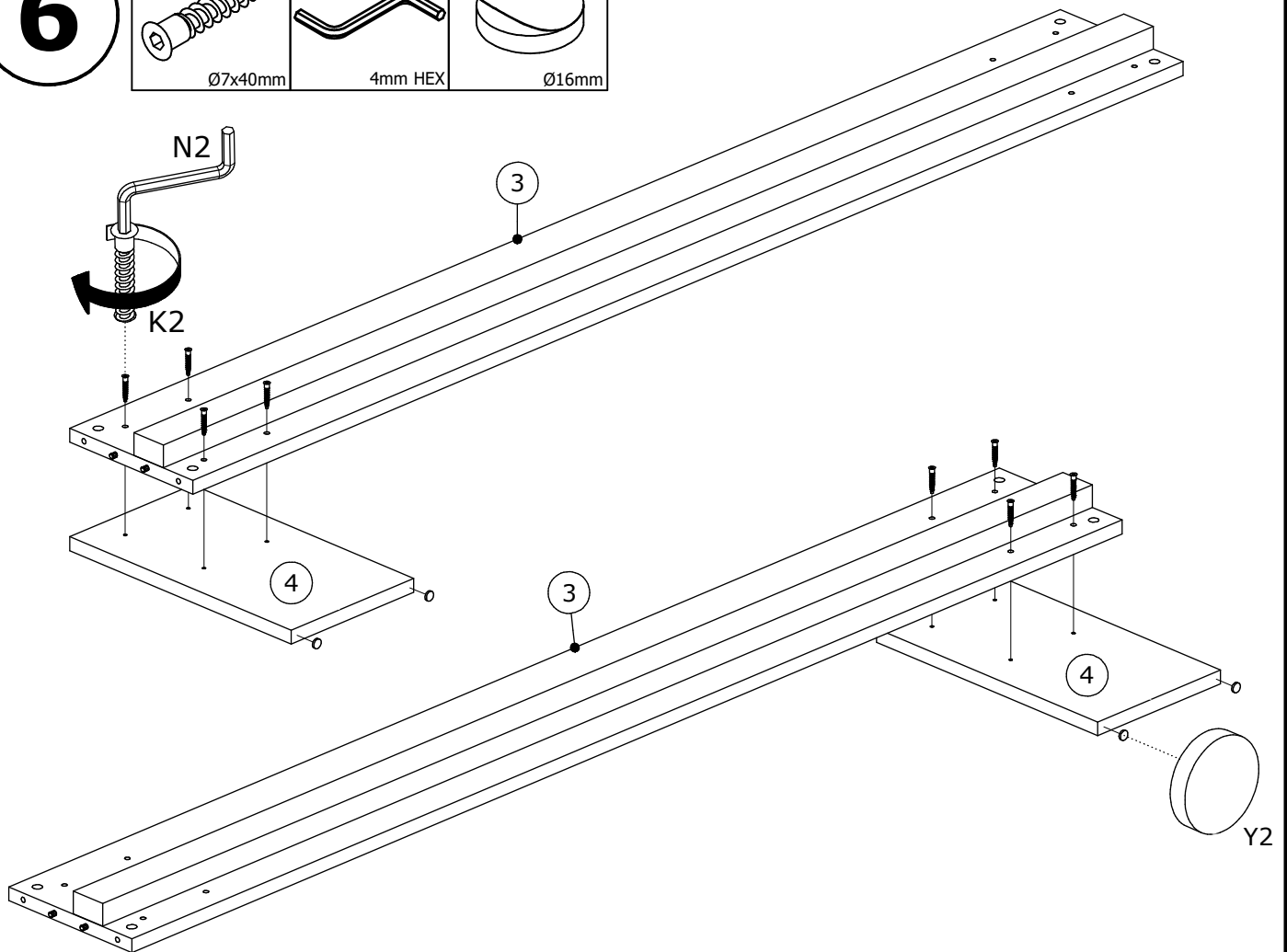
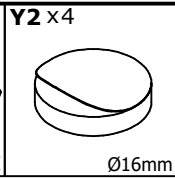
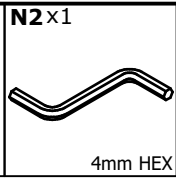
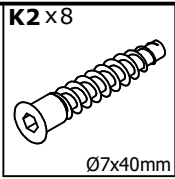


3 x2

A1



6



N2

3

K2

4

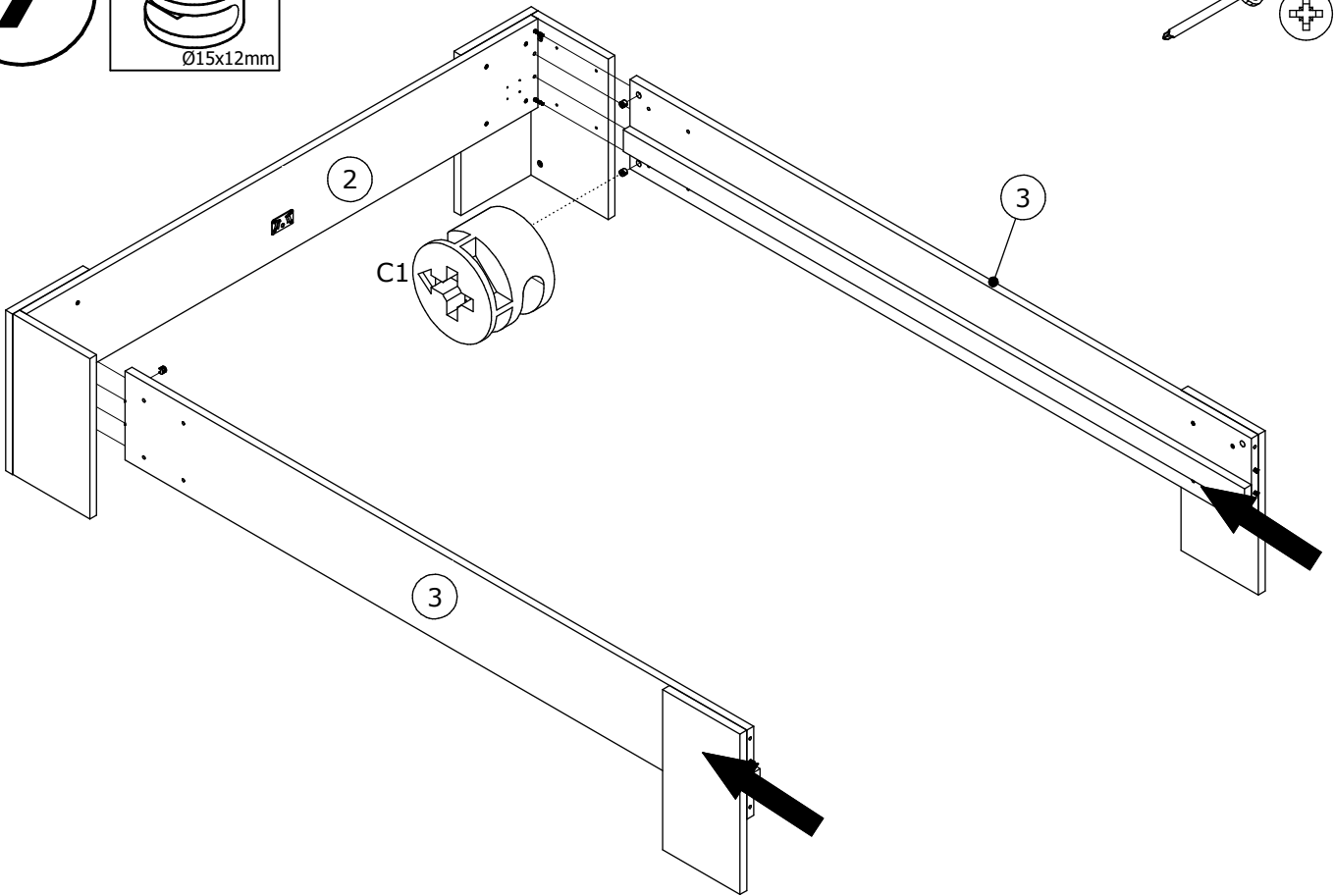
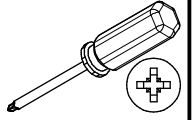
3

4

Y2

7

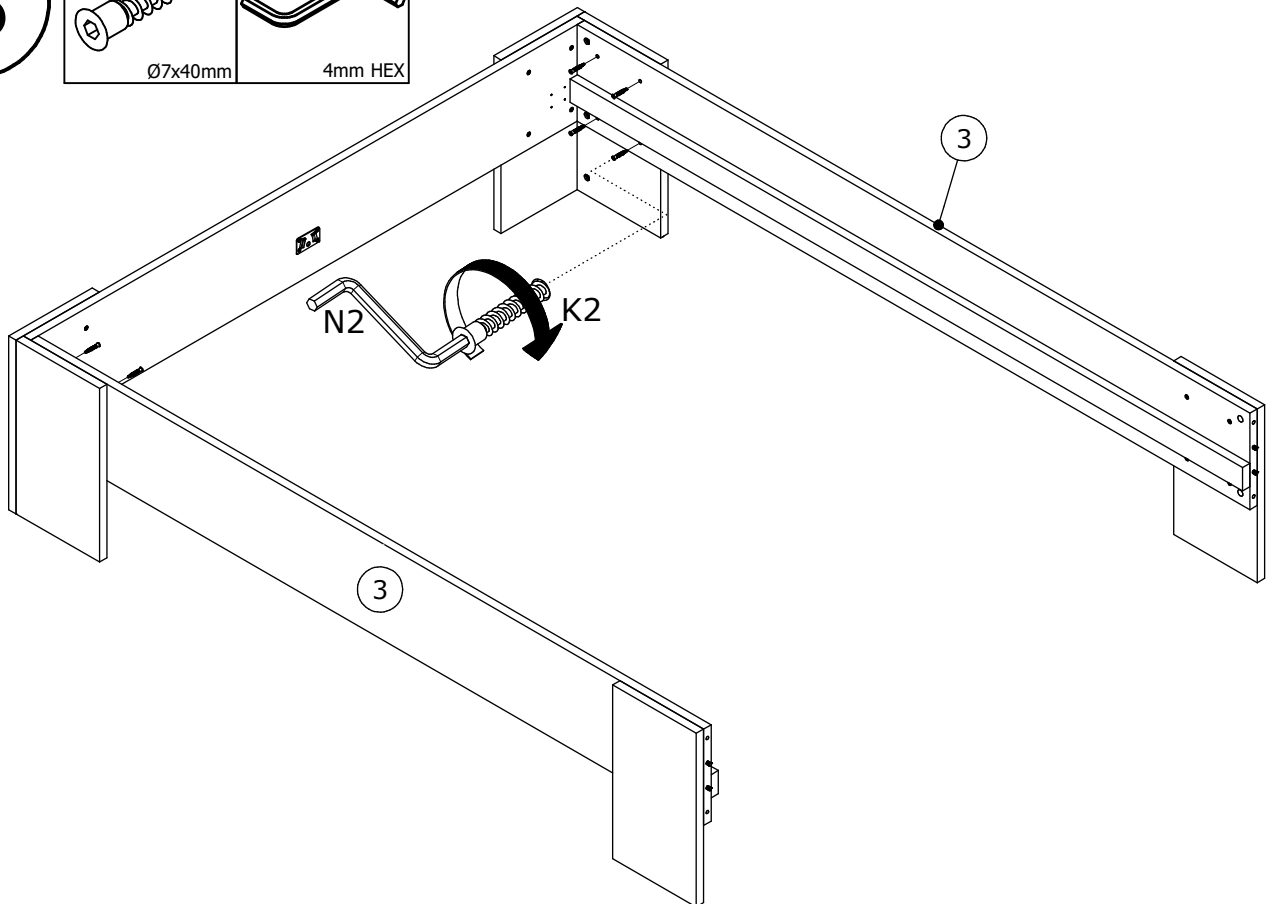
C1 x4
Ø15x12mm



8

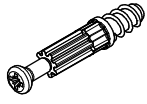
K2 x8
Ø7x40mm

N2 x1
4mm HEX



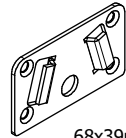
9

B1 x4



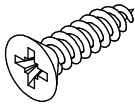
Ø5x38mm

R4-bx1

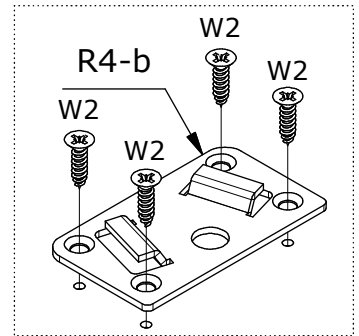
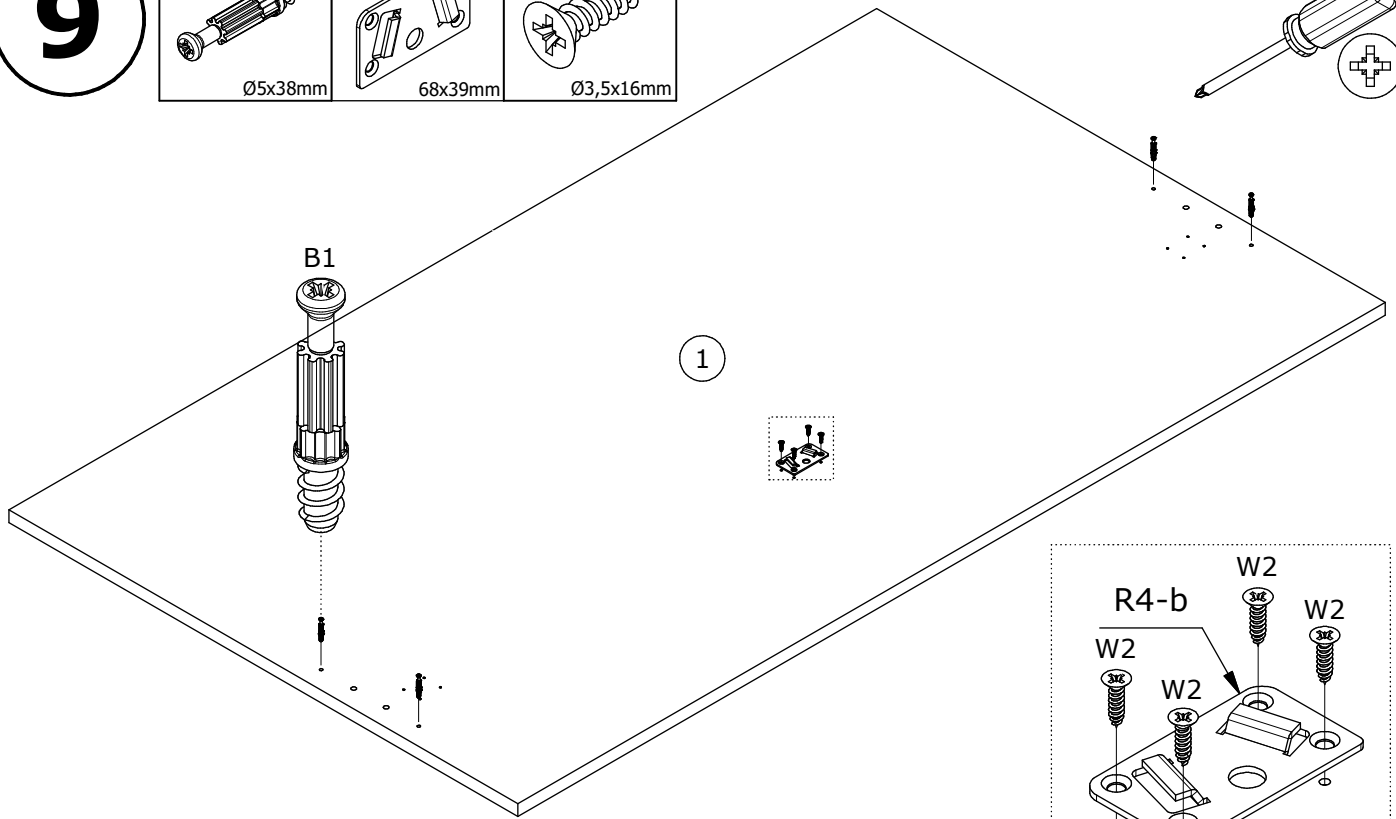
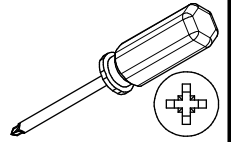


68x39mm

W2 x4



Ø3,5x16mm

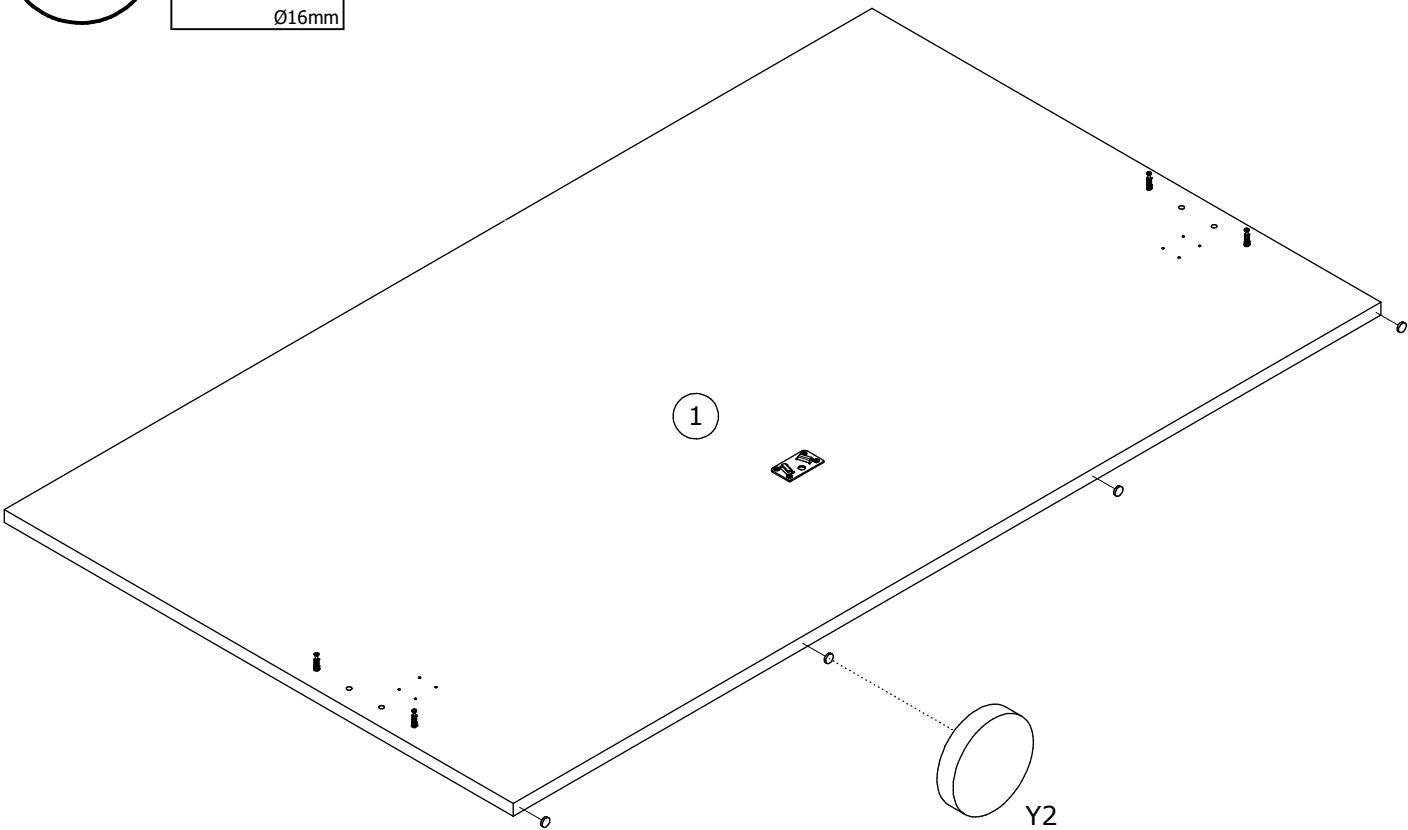


10

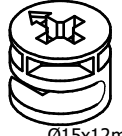
Y2 x4

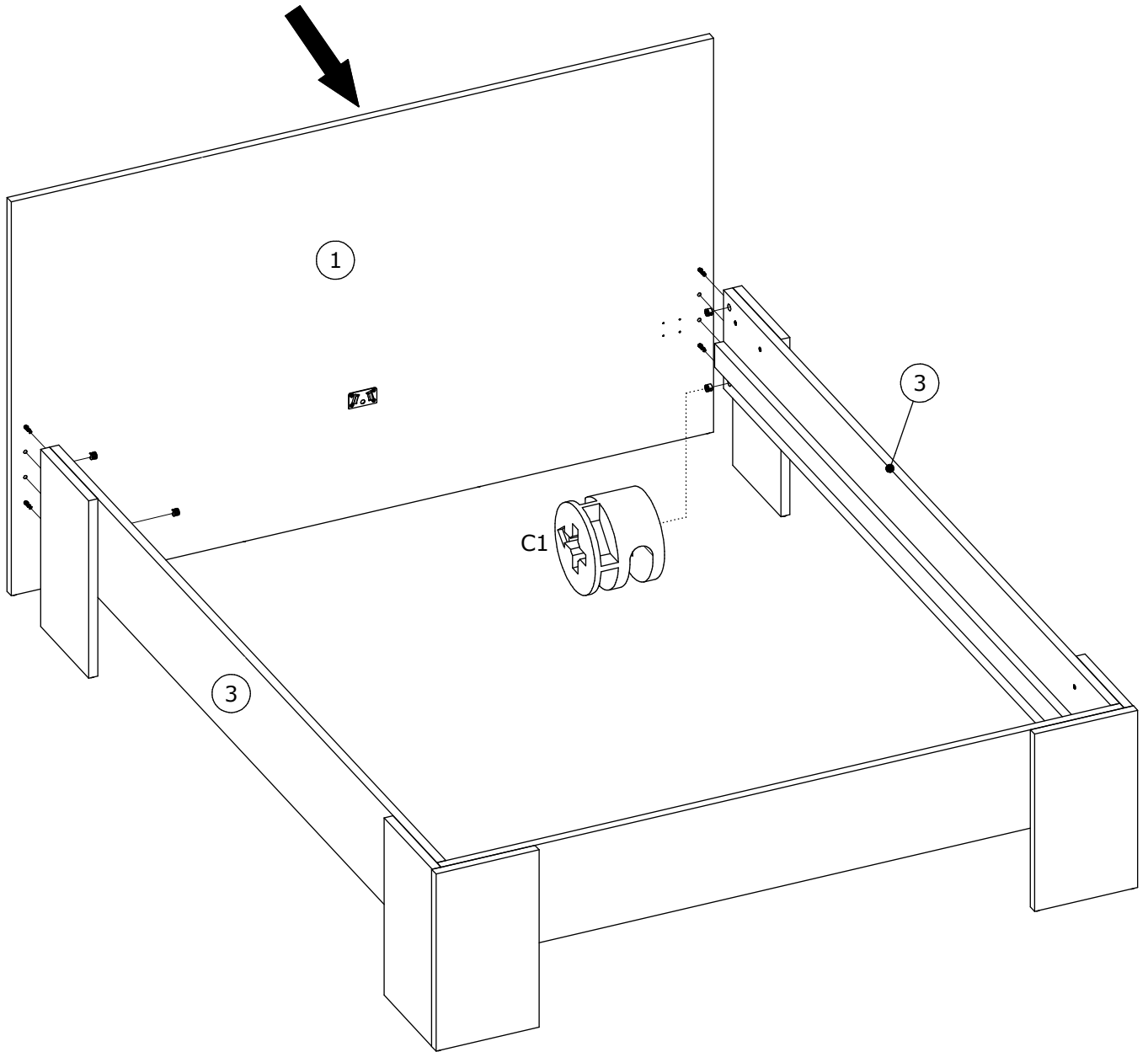
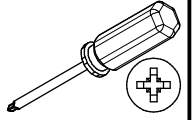


Ø16mm



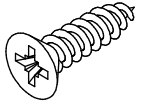
11

C1 x4

Ø15x12mm



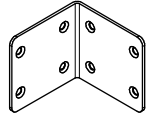
12

W2x32

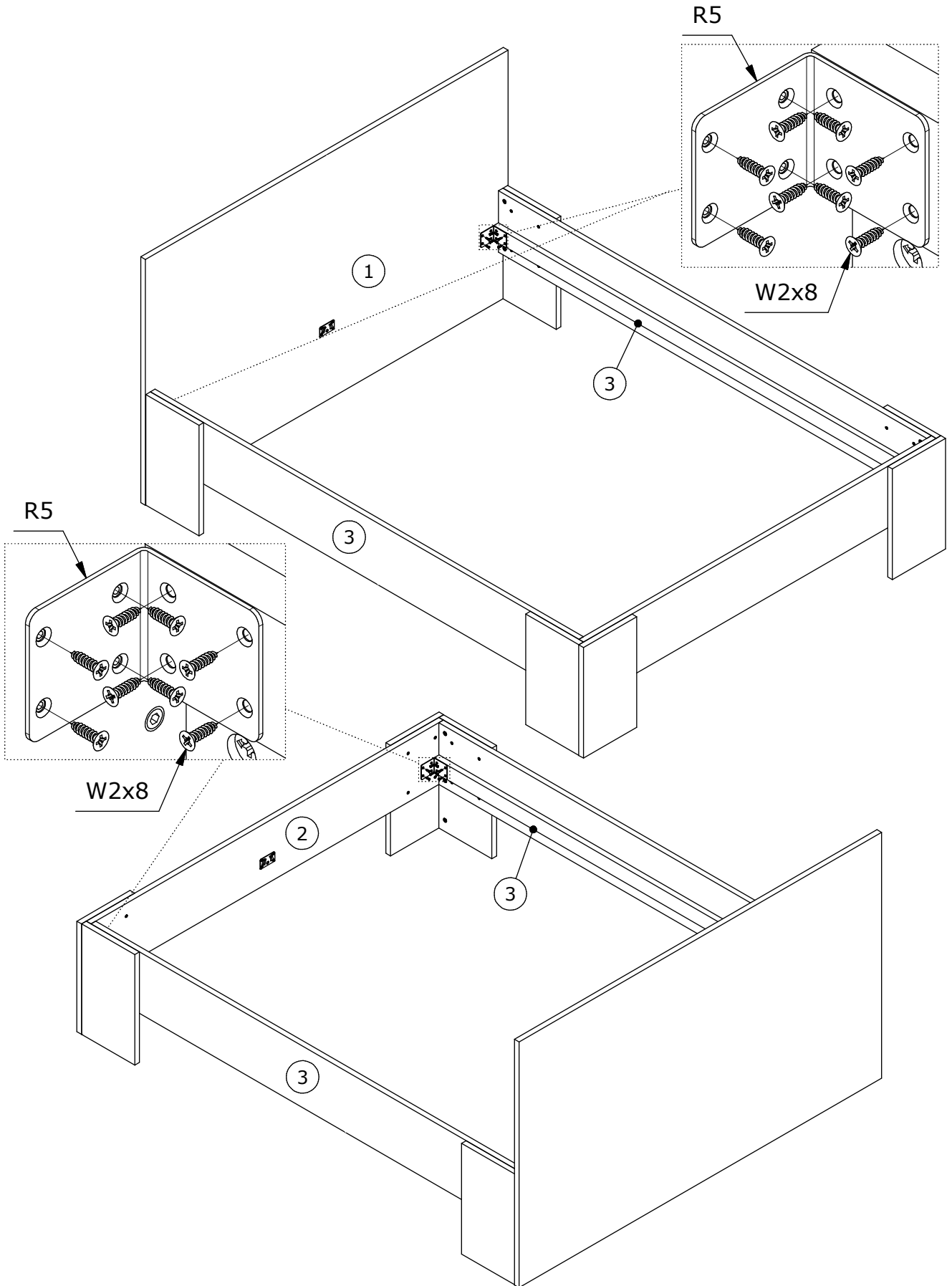
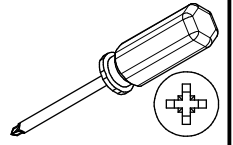


Ø3,5x16mm

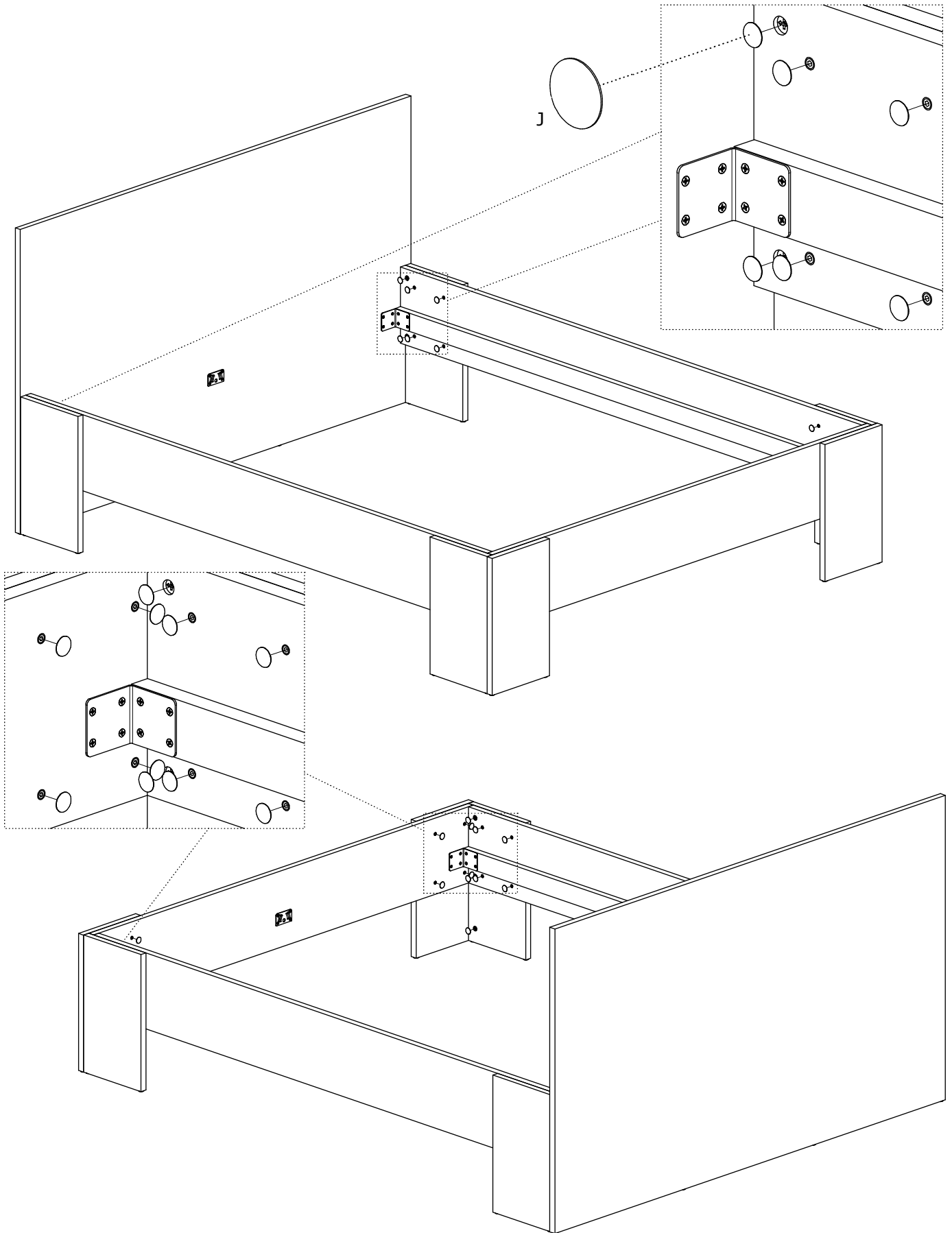
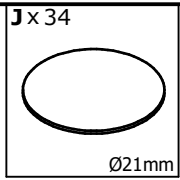
R5x4



60x62mm

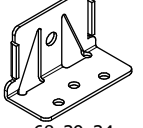


13



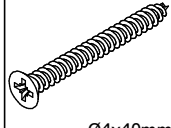
14

R4-a x2

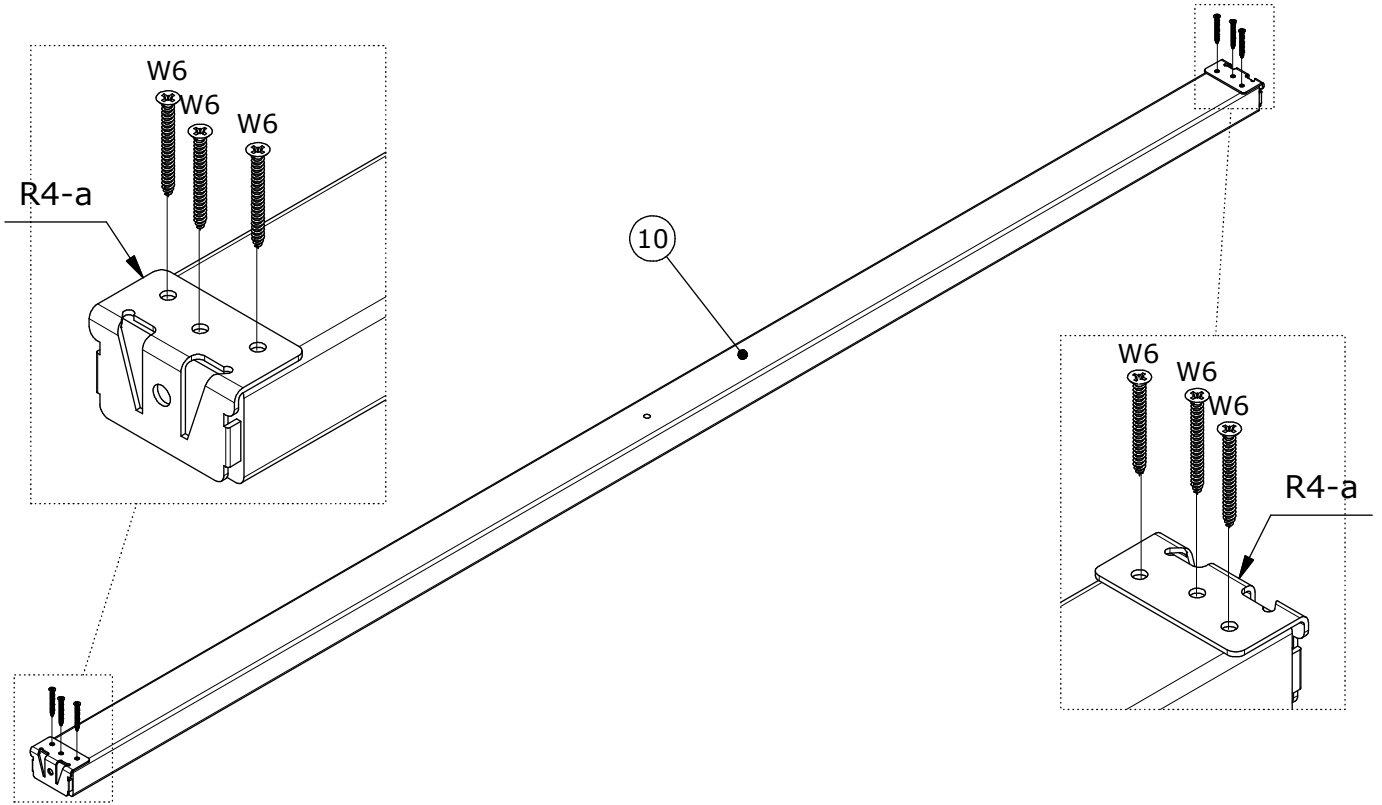
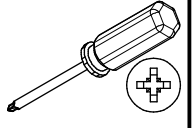


68x39x34mm

W6 x6

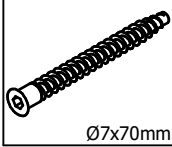


Ø4x40mm



15

K4 x1



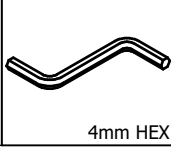
Ø7x70mm

L9 x1

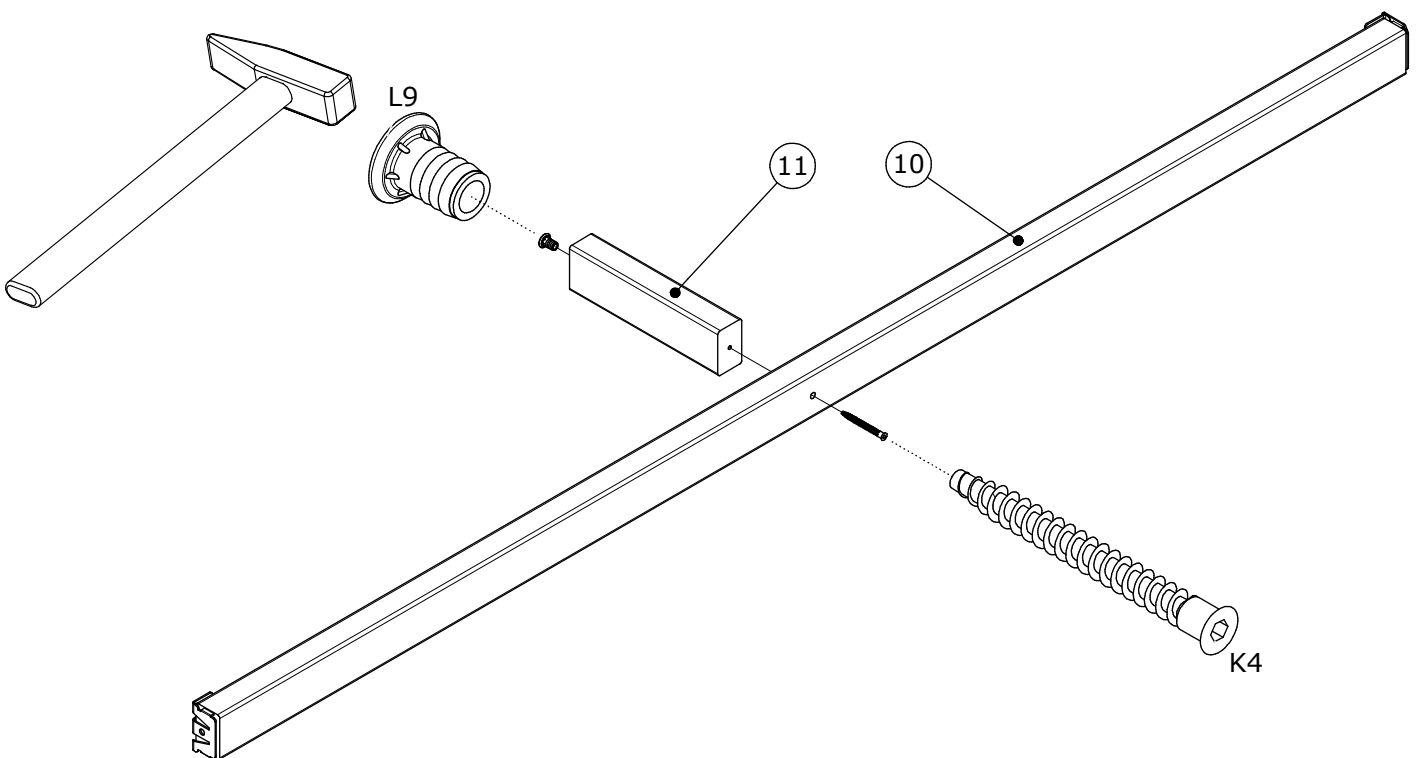
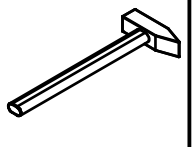


M8x19mm

N2 x1

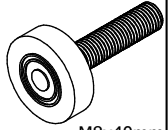


4mm HEX



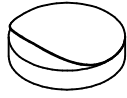
16

L10x1

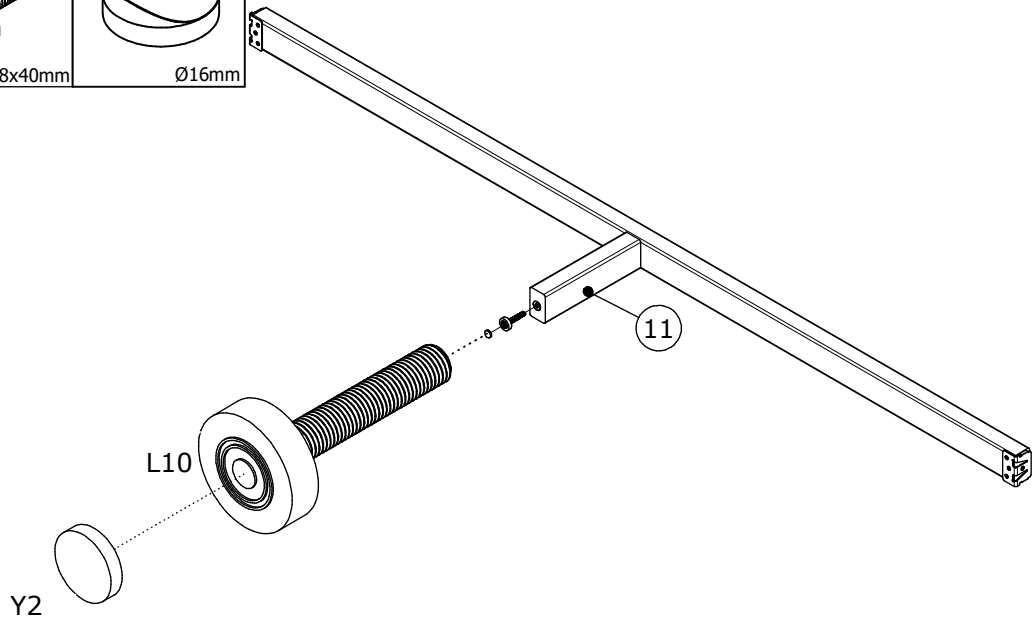


M8x40mm

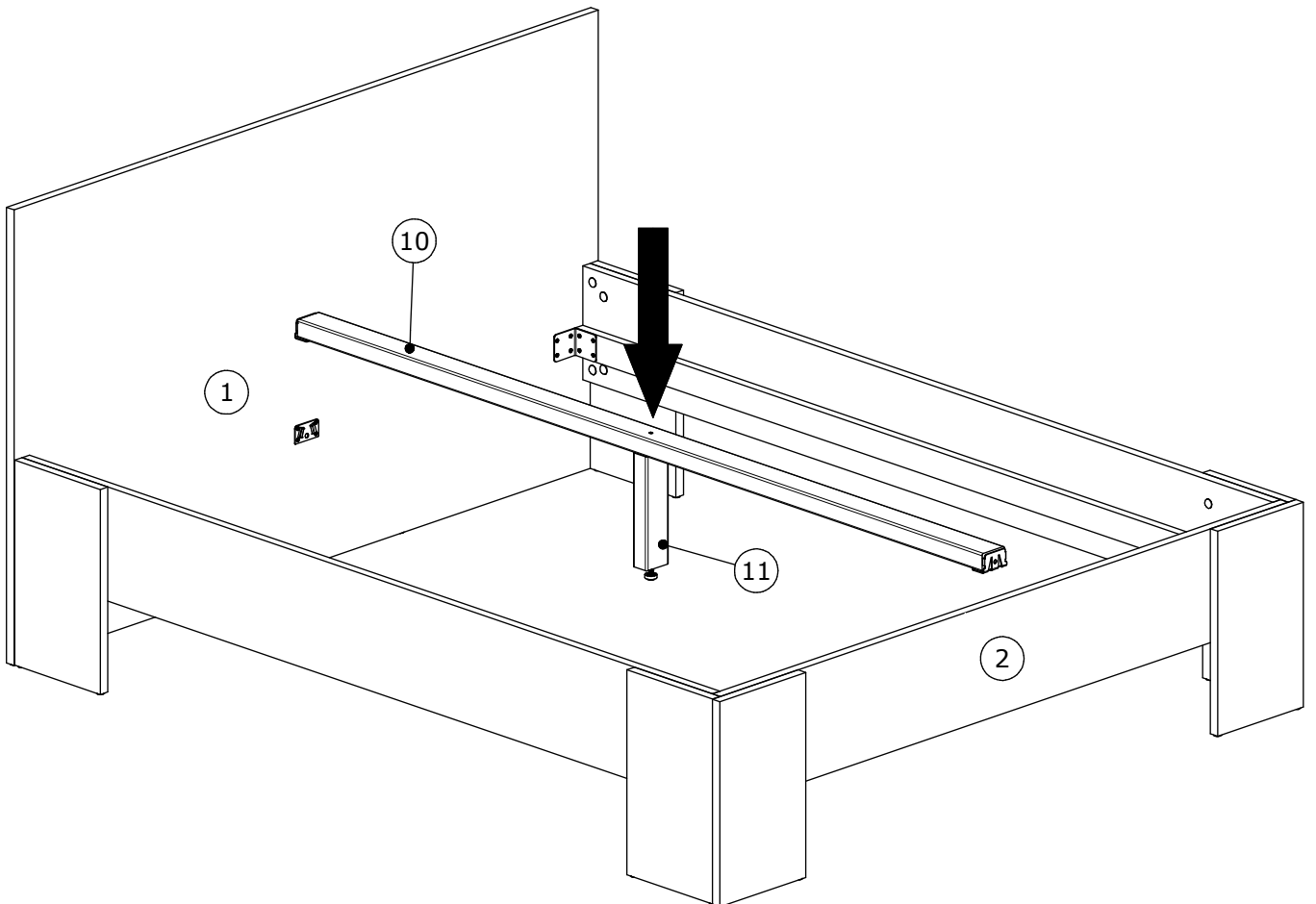
Y2 x1



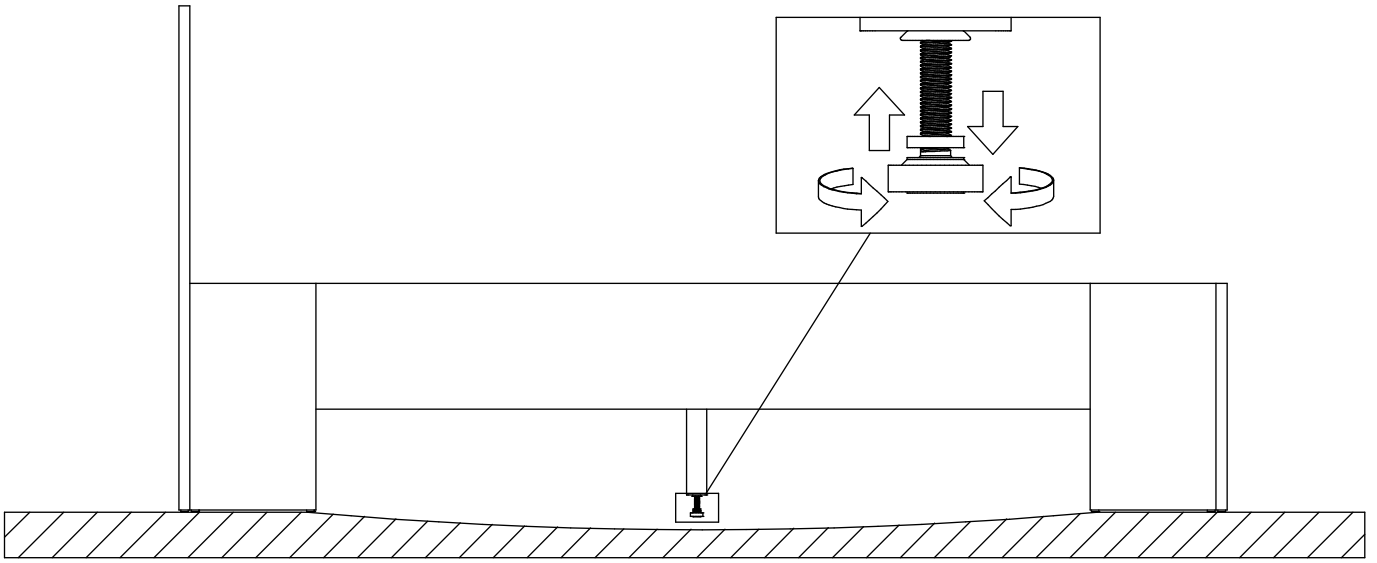
Ø16mm



17



18



19

